



US00D448635B1

(12) **United States Design Patent**
Saunders et al.

(10) **Patent No.:** **US D448,635 S**
(45) **Date of Patent:** **** Oct. 2, 2001**

- (54) **OIL FILTER WRENCH**
- (75) Inventors: **James Saunders; Scott Webb**, both of
Memphis, TN (US)
- (73) Assignee: **Great Neck Saw Manufacturers, Inc.**,
Mineola, NY (US)
- (**) Term: **14 Years**

2,674,911	4/1954	Theis .	
3,084,573	4/1963	Lipski .	
4,007,650	2/1977	Wellman .	
4,150,592	4/1979	Mott .	
4,660,445	4/1987	Windom .	
4,889,018	12/1989	Shaffer .	
5,056,383	10/1991	Halpin .	
5,065,648	11/1991	Hocfbaum .	
5,388,485 *	2/1995	Auble	81/64
5,390,570	2/1995	Reisner .	

- (21) Appl. No.: **29/095,094**
- (22) Filed: **Oct. 16, 1998**

* cited by examiner

- (51) **LOC (7) Cl.** **08-05**
- (52) **U.S. Cl.** **D8/22**
- (58) **Field of Search** D8/21, 22, 396;
81/3.43, 64

Primary Examiner—Ted Shooman
(74) *Attorney, Agent, or Firm*—Joseph J. Previto

(57) **CLAIM**

The ornamental design for an oil filter wrench, as shown and described.

(56) **References Cited**

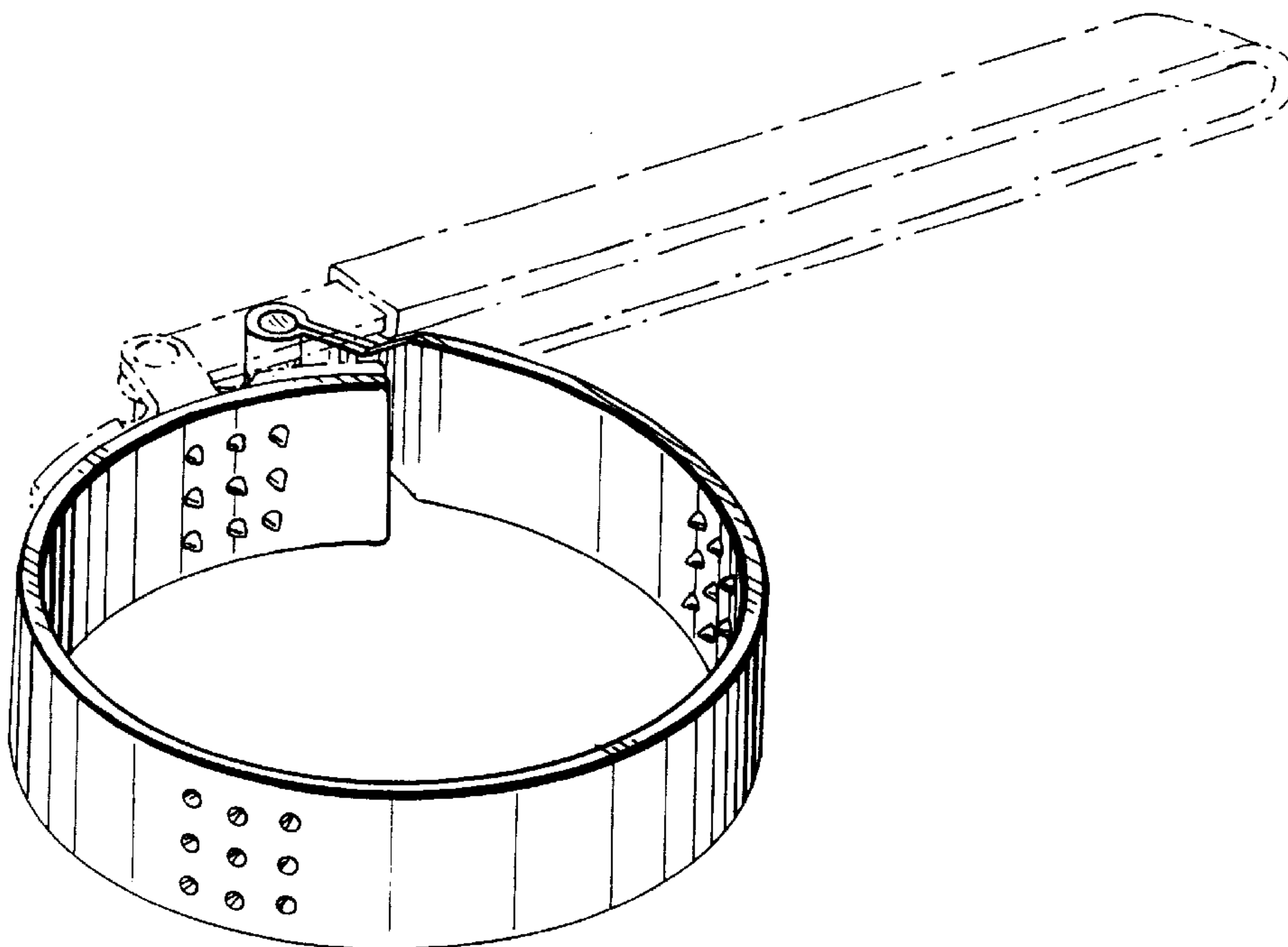
DESCRIPTION

U.S. PATENT DOCUMENTS

D. 230,815	3/1974	Ono .	
D. 242,981 *	1/1977	Craig	D8/22
D. 268,164	3/1983	Sandberg .	
D. 307,101 *	4/1990	Anderson	D8/22
D. 365,259	12/1995	Littlejohn .	
590,710	9/1897	Sheppard .	
737,404	8/1903	Harrison .	
1,416,673	5/1922	Baldwin .	
1,458,140	6/1923	Lewis .	
1,498,009 *	6/1924	Ball	81/3.43
1,953,238 *	4/1934	Kosanovich	81/3.43
2,132,207	10/1938	Donovan .	
2,317,037	4/1943	Donovan .	
2,417,741	3/1947	Dillon .	
2,458,329	1/1949	Archer .	

FIG. 1 is a perspective view of an oil filter wrench showing our new design.
 FIG. 2 is a left side view thereof, the right side view being a mirror image.
 FIG. 3 is a top view thereof.
 FIG. 4 is a front view thereof.
 FIG. 5 is a rear view thereof.
 FIG. 6 is a bottom view thereof; and,
 FIG. 7 is an enlarged sectional view taken along line 7—7 of FIG. 2.
 The broken line showing in FIGS. 1 and 2 is for illustrative purposes only and forms no part of the claimed design.

1 Claim, 2 Drawing Sheets



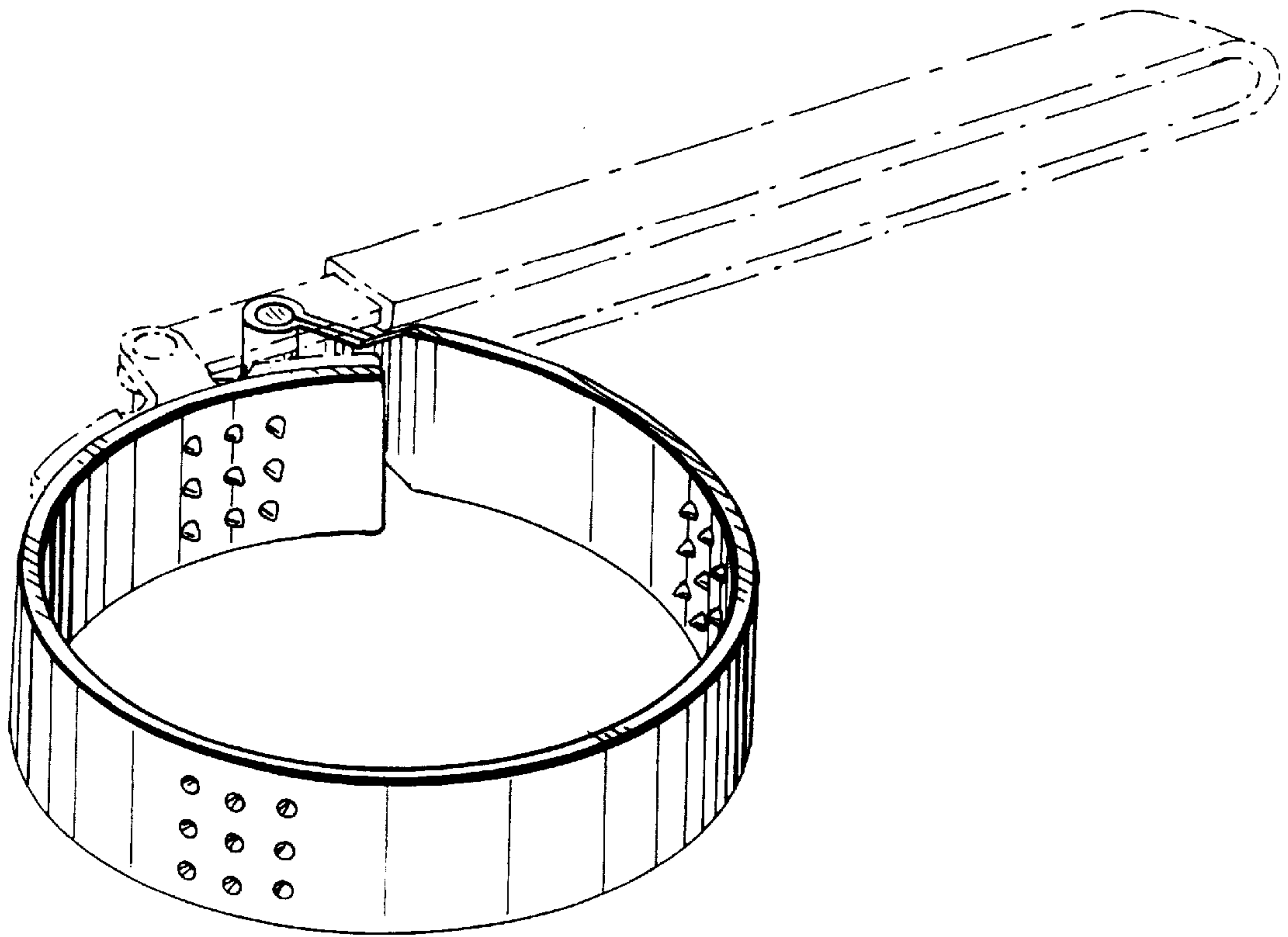


FIG. 1



FIG. 7

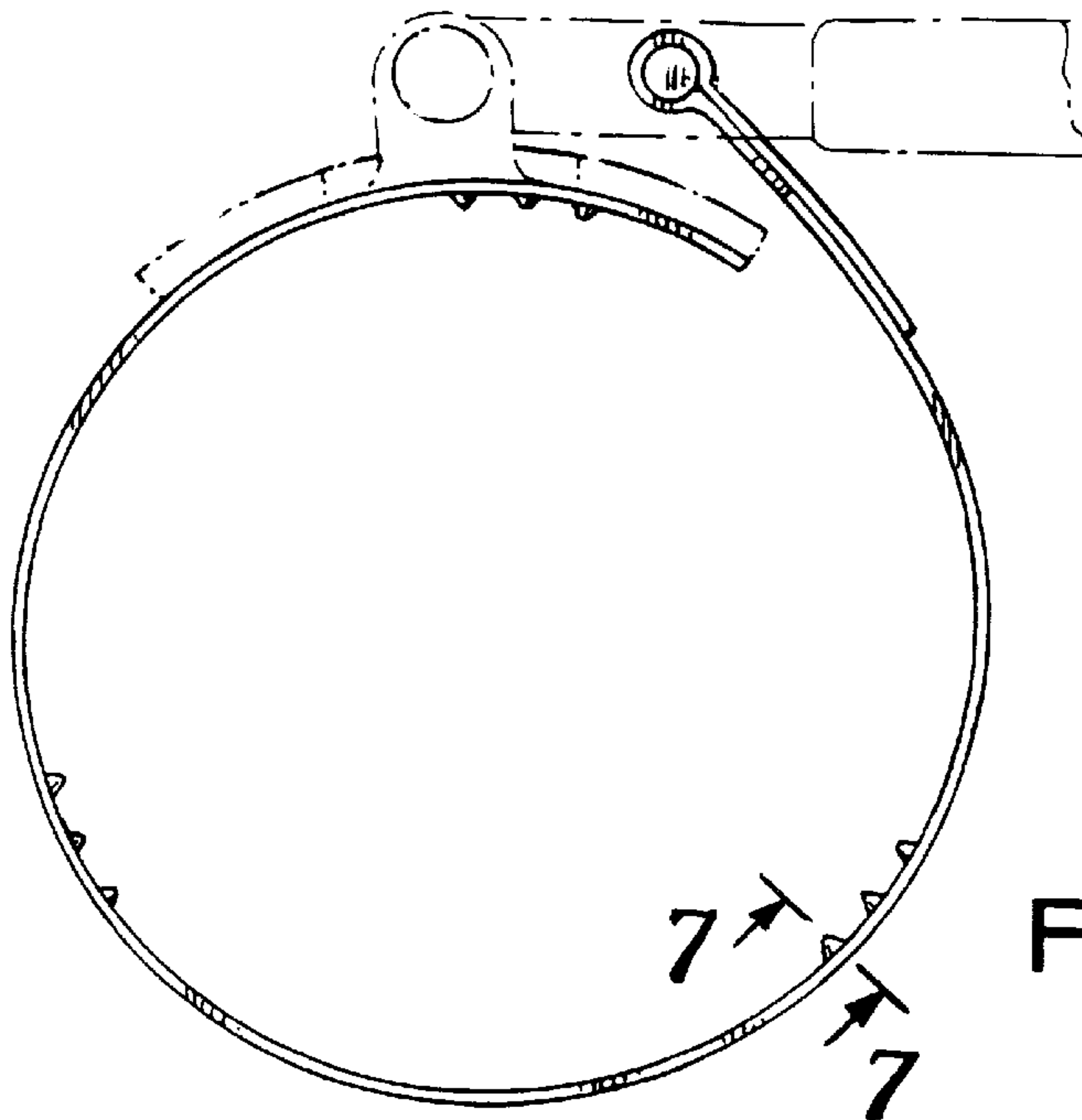


FIG. 2

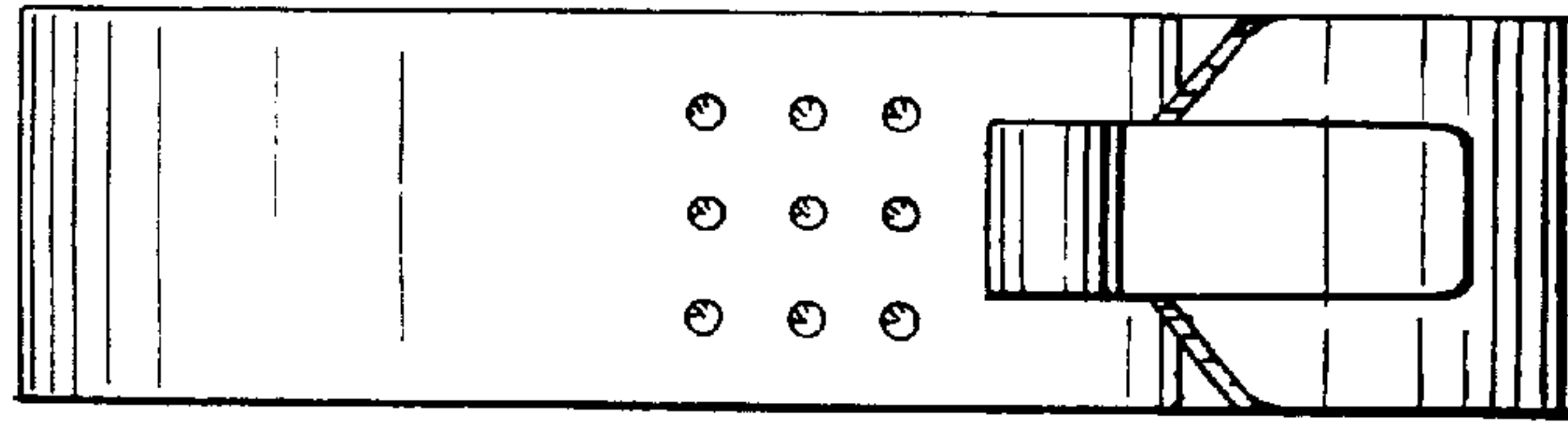


FIG. 3

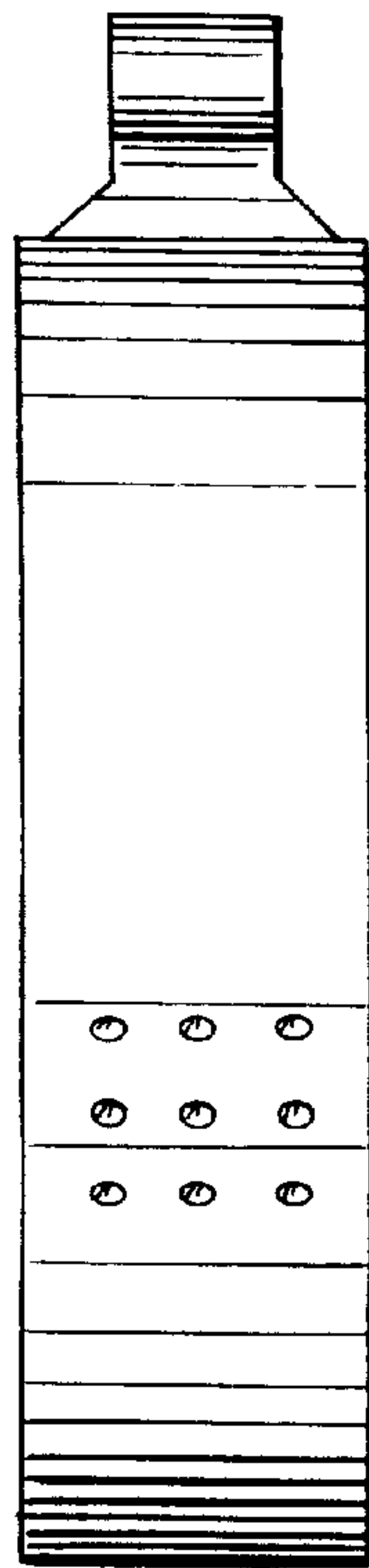


FIG. 4

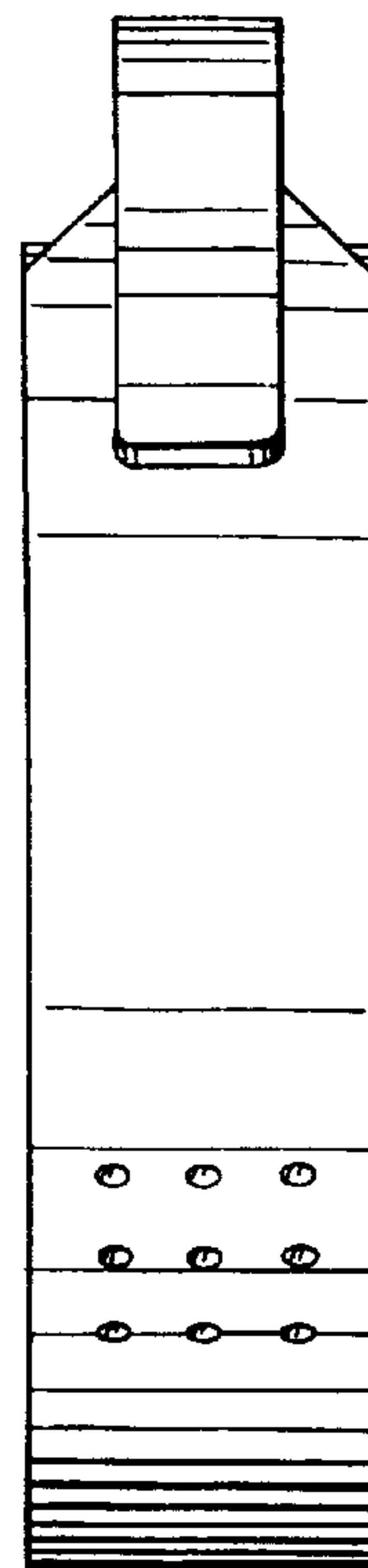


FIG. 5

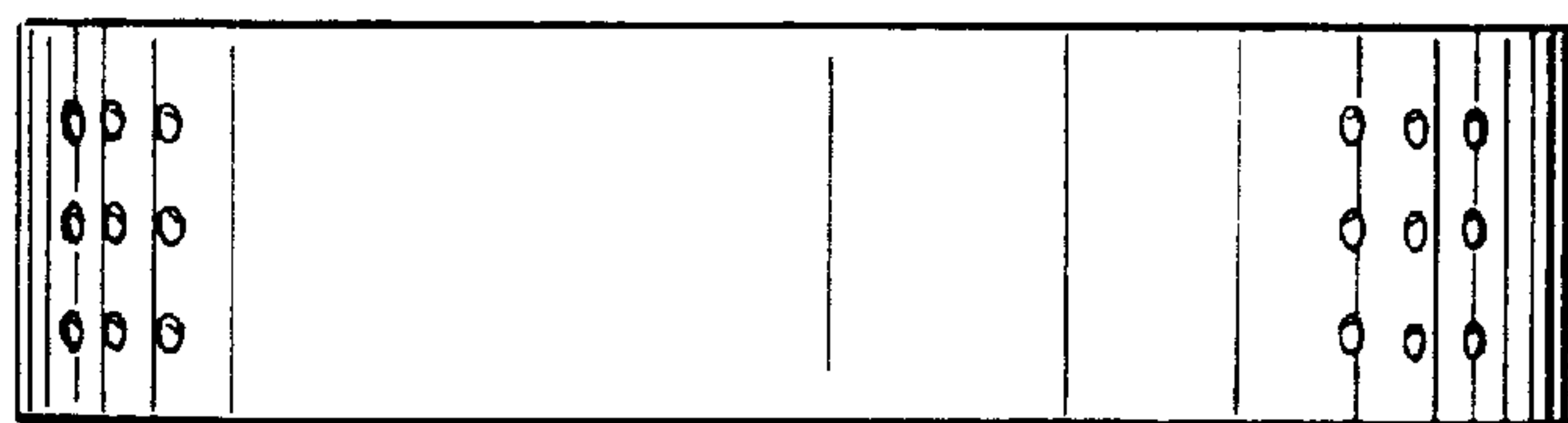


FIG. 6