



US00D448631B1

(12) **United States Design Patent**
Erickson

(10) **Patent No.:** **US D448,631 S**

(45) **Date of Patent:** **** Oct. 2, 2001**

(54) **CUTTING BLOCK ASSEMBLY**

(76) Inventor: **Robert Erickson**, 36 Clipper La.,
Falmouth, MA (US) 02540

(**) Term: **14 Years**

(21) Appl. No.: **29/131,754**

(22) Filed: **Oct. 27, 2000**

(51) **LOC (7) Cl.** **07-04**

(52) **U.S. Cl.** **D7/698**

(58) **Field of Search** D7/673, 698, 649,
D7/650; 30/124, 296.1; 83/42; 99/446;
241/262; 269/13, 289 R, 291, 302.1, 303,
315, 900; 425/218

(56) **References Cited**

U.S. PATENT DOCUMENTS

D. 227,290	*	6/1973	Bond	D7/673
D. 247,603	*	3/1978	Grossman	D7/698 X
D. 382,776	*	8/1997	McLeod	D7/698
3,696,849	*	10/1972	Davis	241/262
3,971,273	*	7/1976	Peters et al.	83/42
4,247,984	*	2/1981	McArdle et al.	30/296.1

* cited by examiner

Primary Examiner—Caron D. Veynar

(74) *Attorney, Agent, or Firm*—Salter & Michaelson

(57) **CLAIM**

The ornamental design for a cutting block assembly, as shown and described.

DESCRIPTION

FIG. 1 is a perspective view of a cutting block assembly showing my new design;

FIG. 2 is a front elevational view thereof;

FIG. 3 is a rear elevational view thereof;

FIG. 4 is a top plan view thereof;

FIG. 5 is a bottom plan view thereof;

FIG. 6 is a right end view thereof;

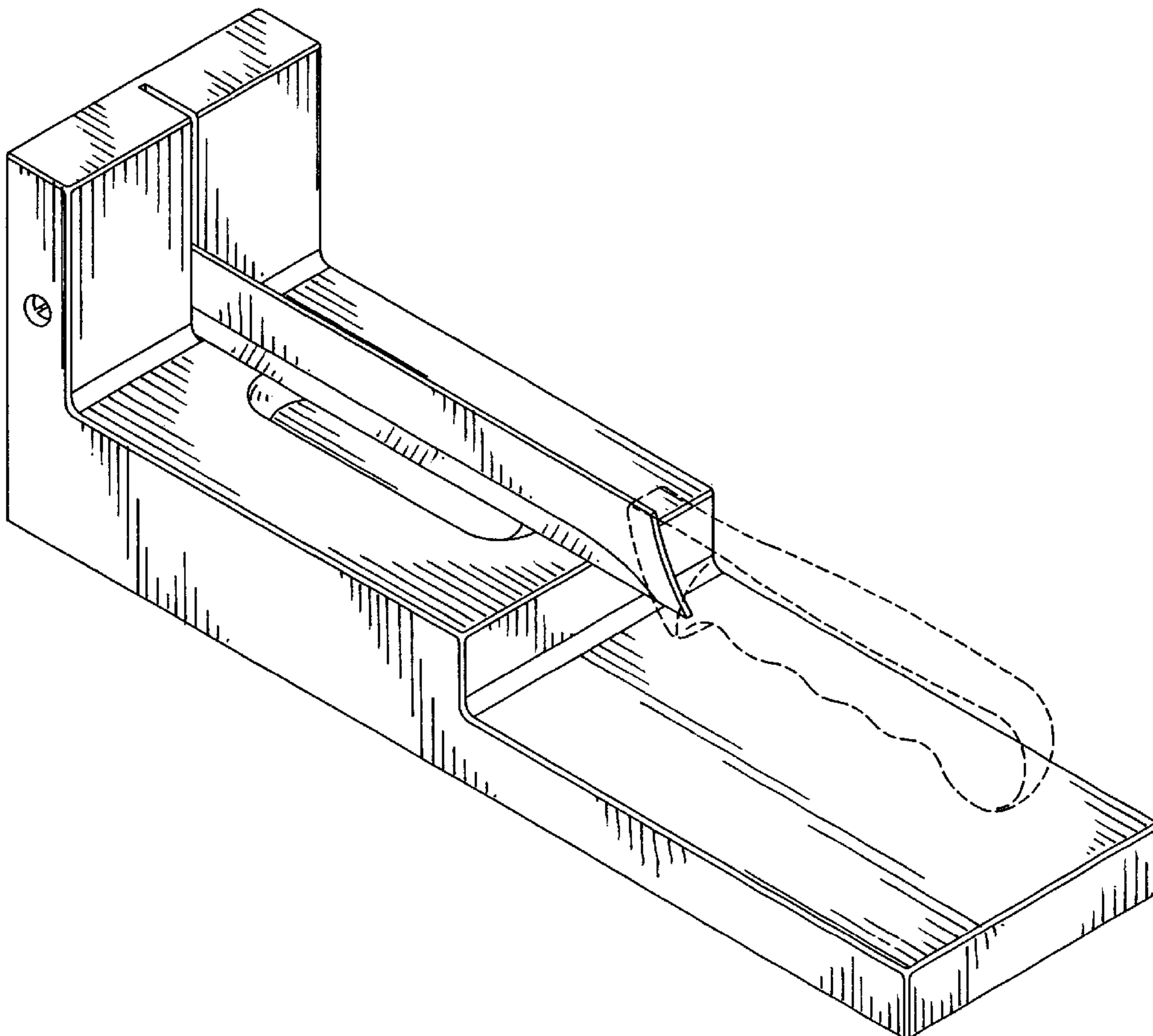
FIG. 7 is a left end view thereof;

FIG. 8 is a perspective view showing the knife in raised position; and,

FIG. 9 is a perspective view showing the knife after it has reached its lowermost cutting position.

The broken-line portions in FIGS. 1, 2, 3, 4, 6, 8, and 9 are for informational purposes only and form no part of the instant design.

1 Claim, 6 Drawing Sheets



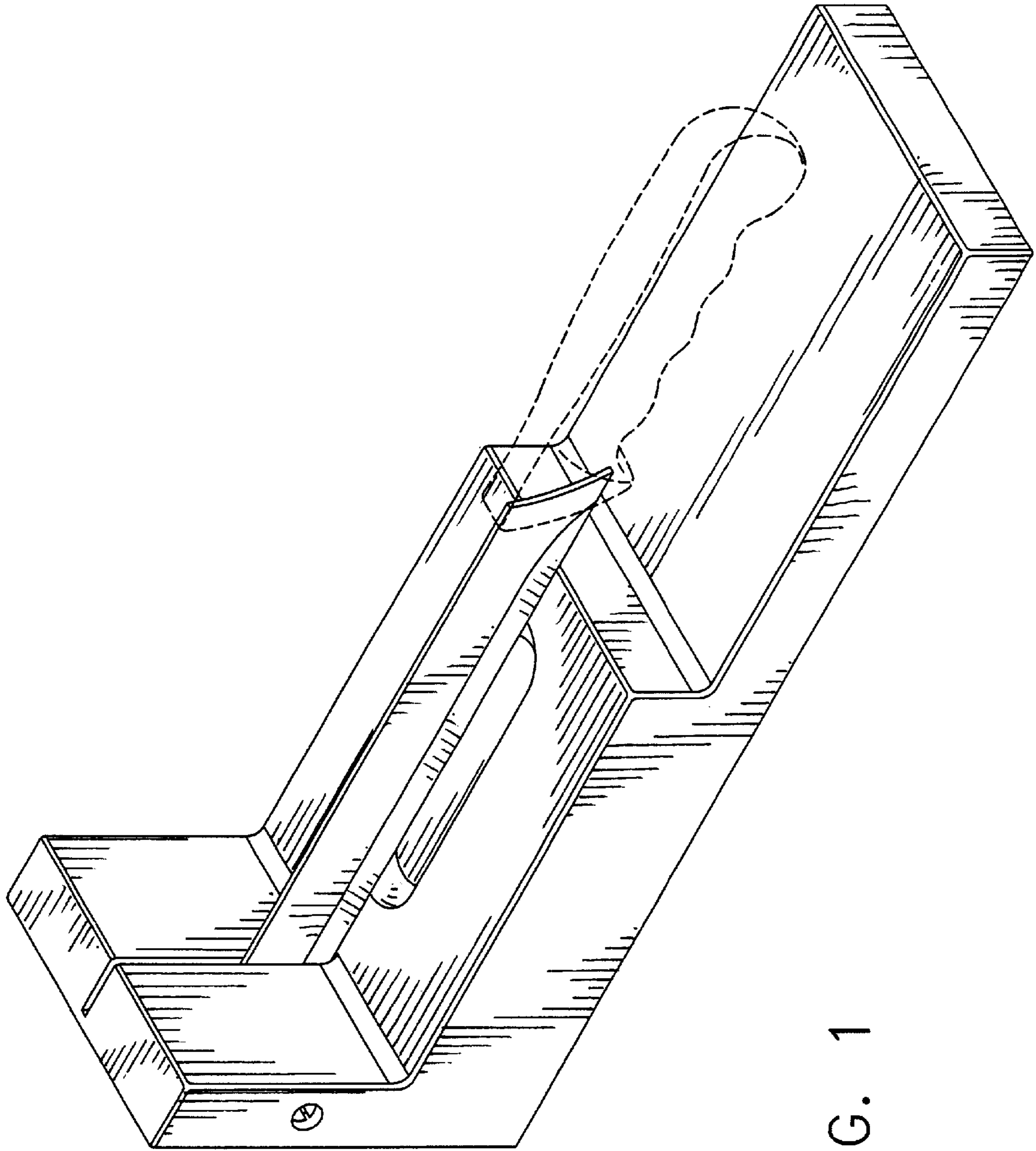


FIG. 1

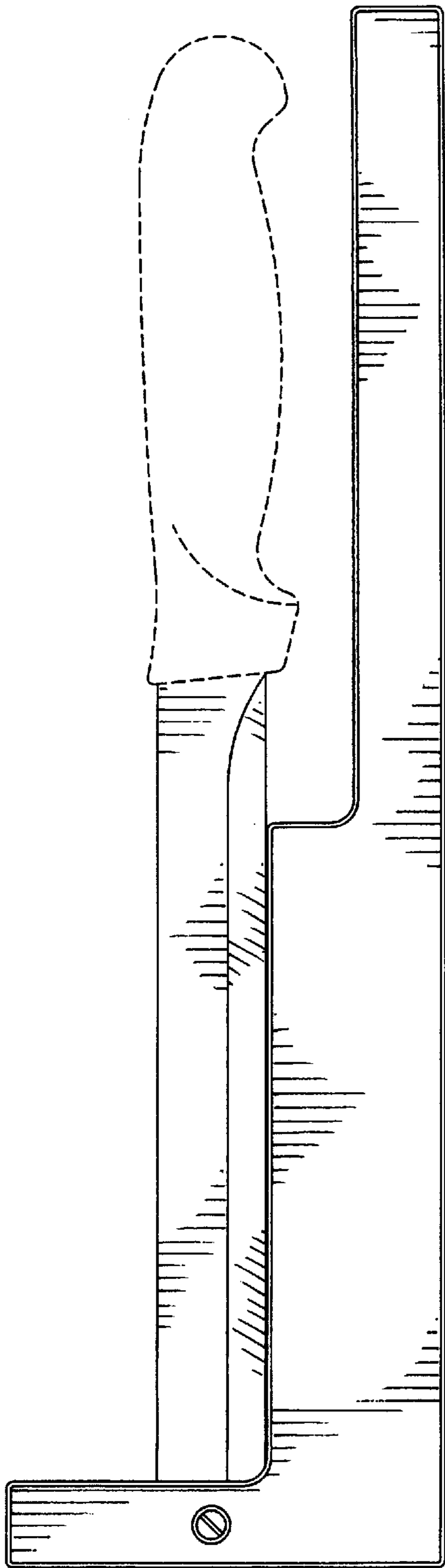


FIG. 2

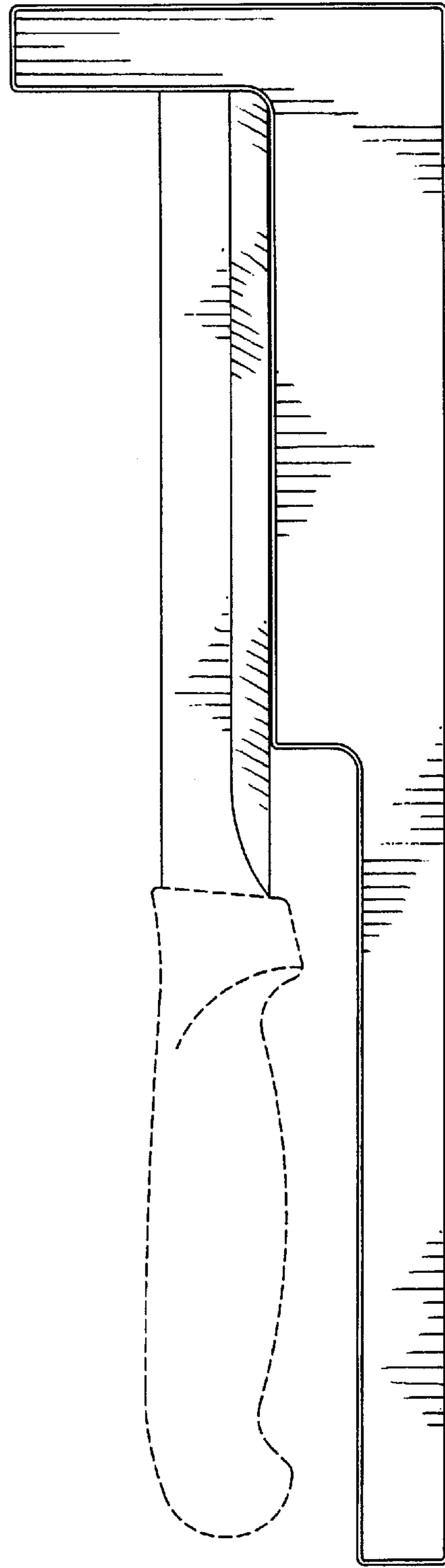


FIG. 3

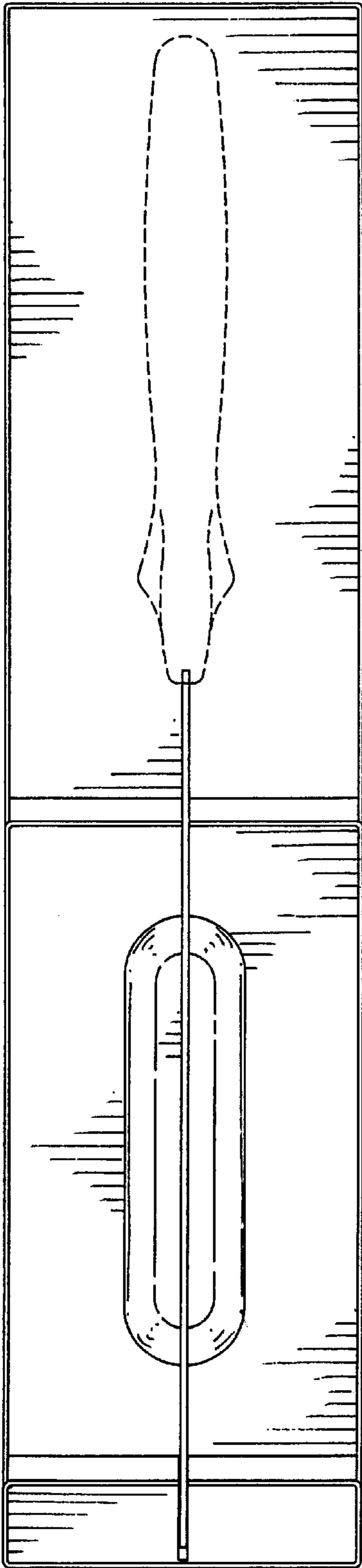


FIG. 4

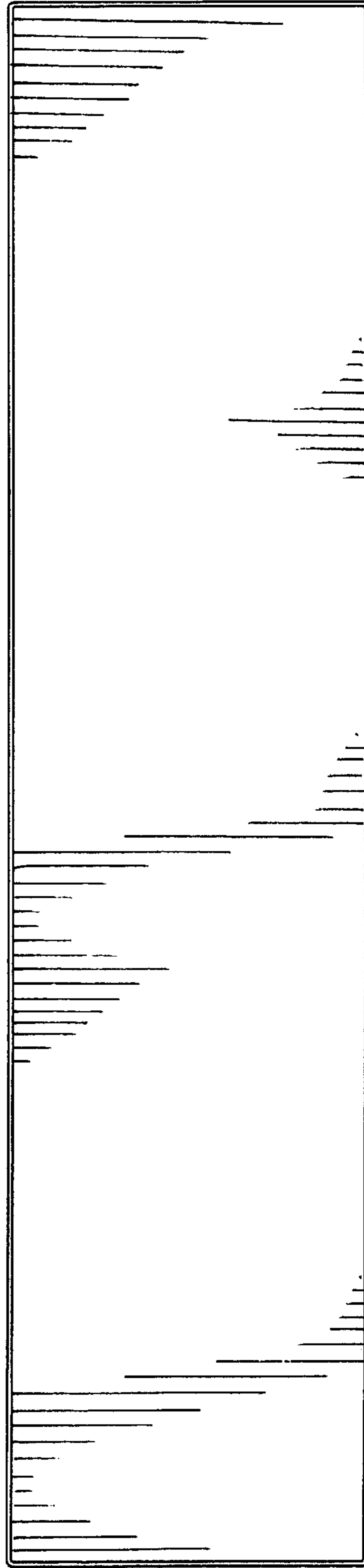


FIG. 5

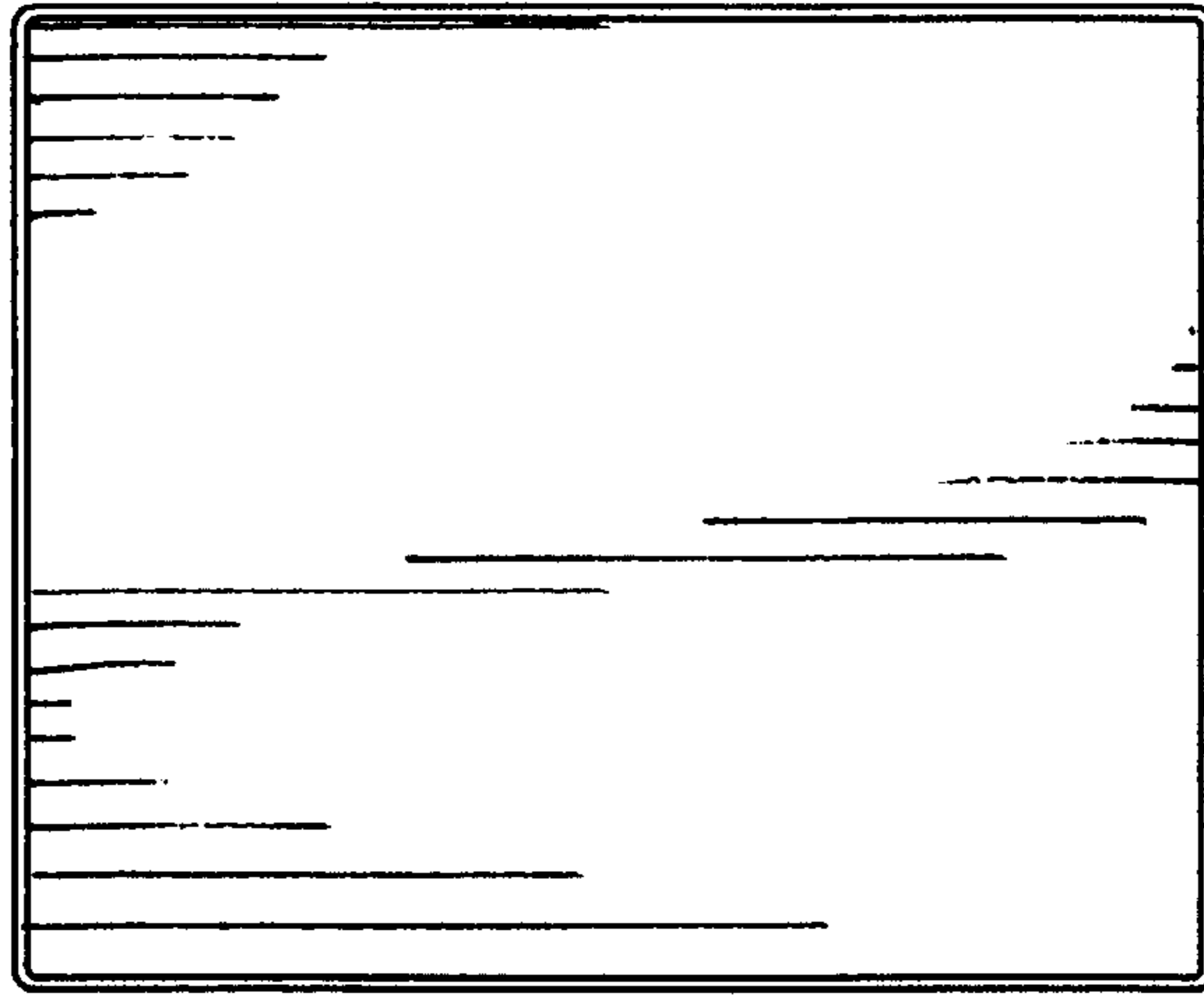


FIG. 6

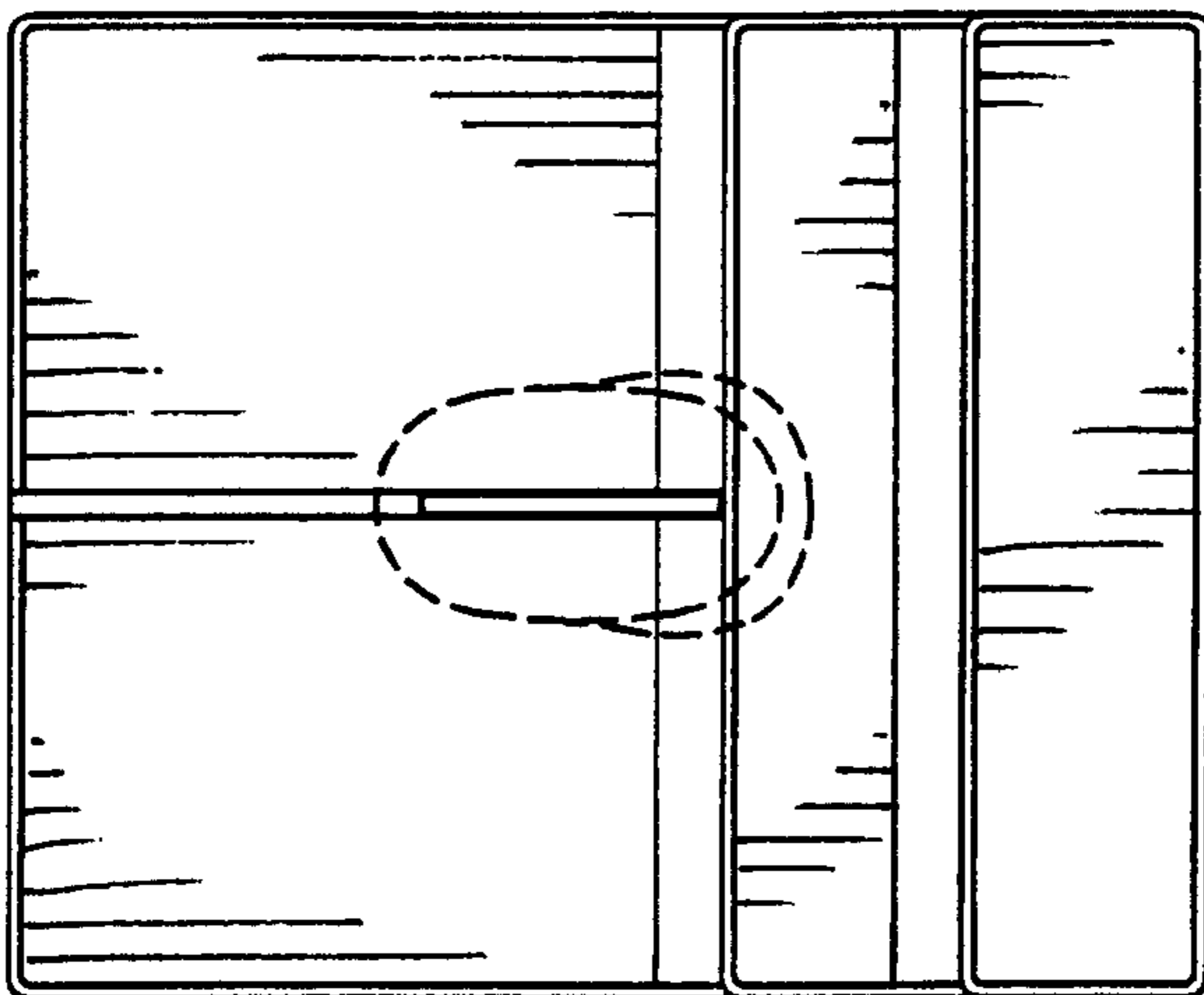


FIG. 7

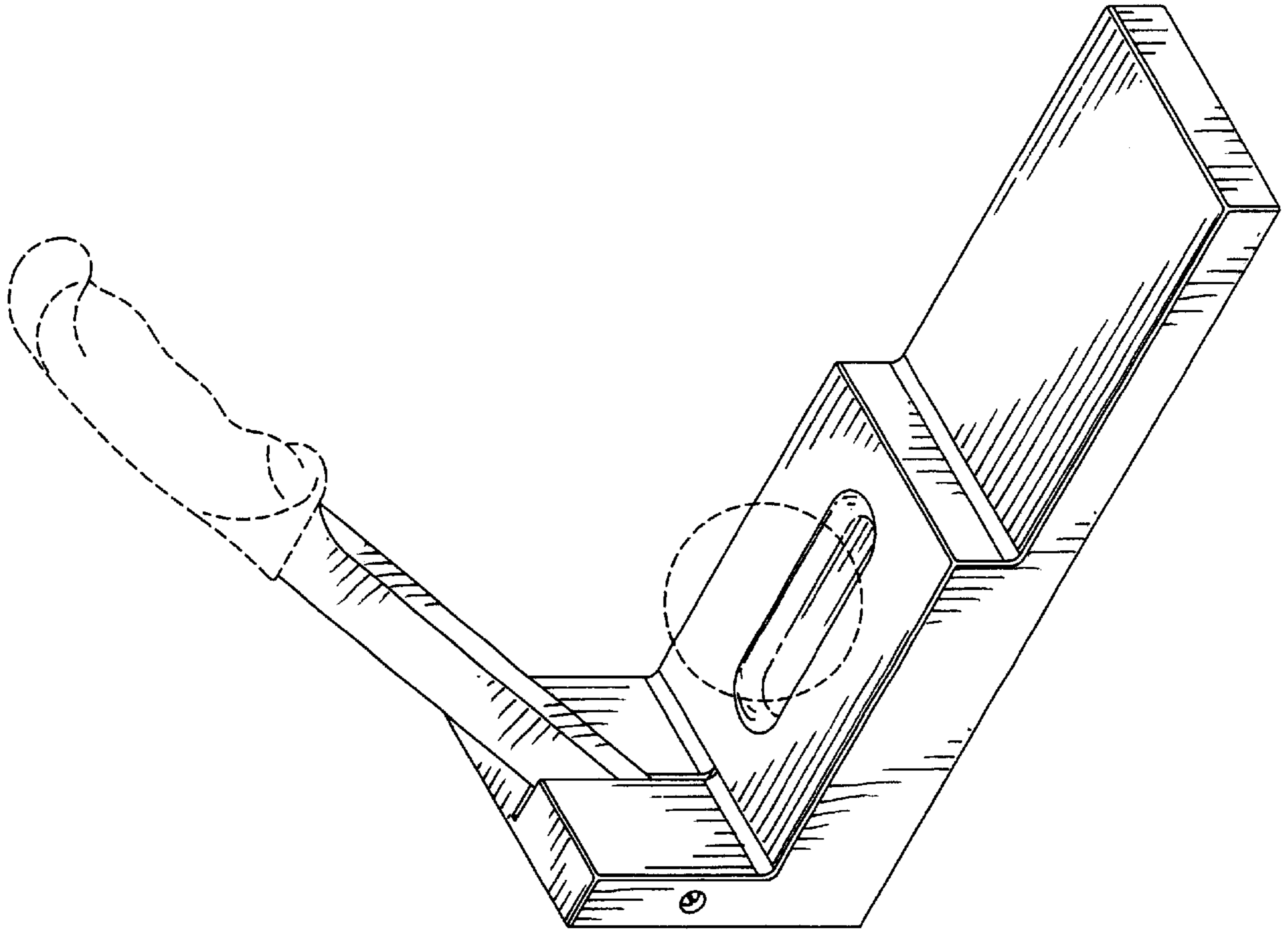


FIG. 8

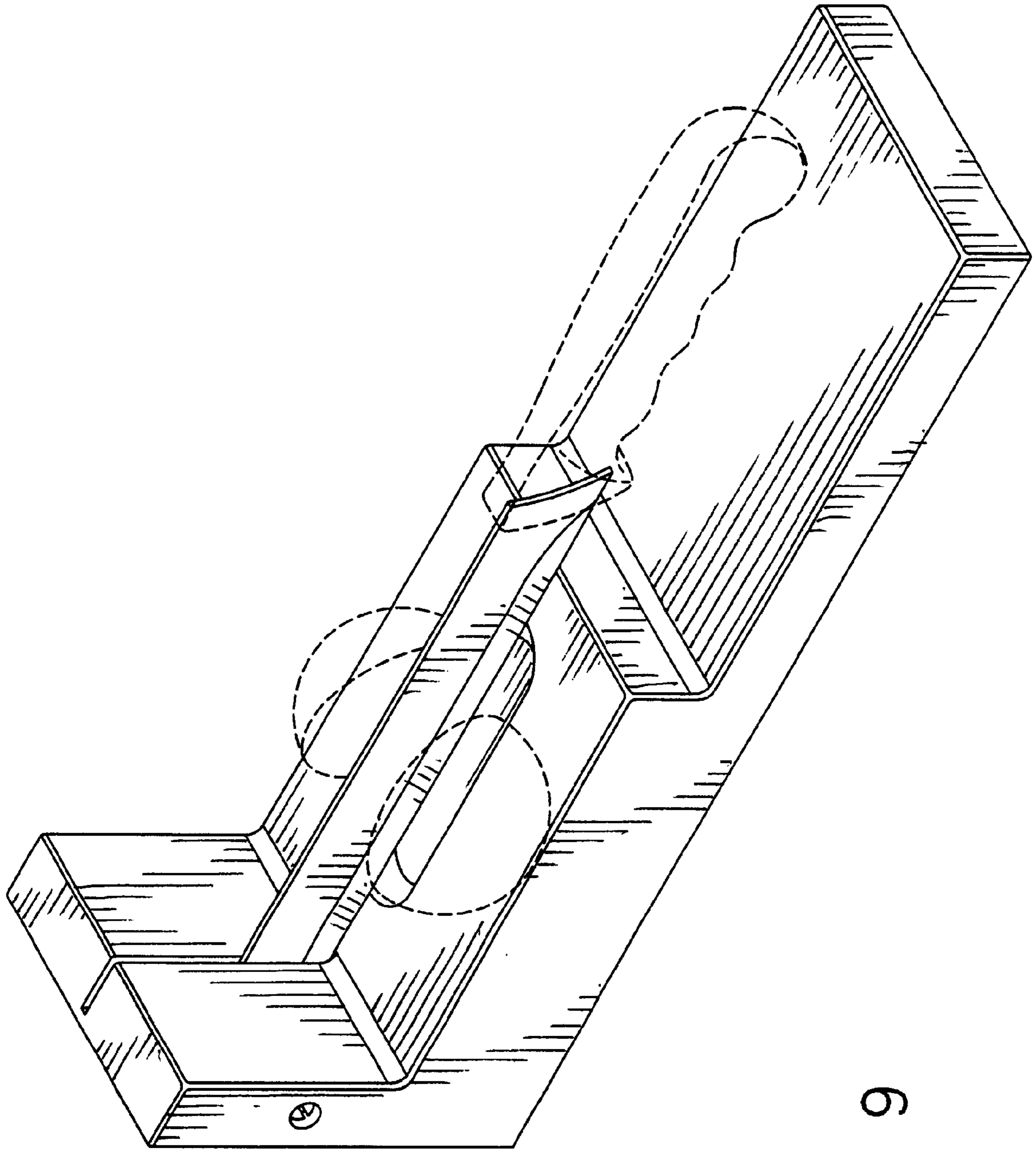


FIG. 9