



US00D448629B1

(12) **United States Design Patent**
Wong

(10) **Patent No.:** **US D448,629 S**

(45) **Date of Patent:** **** Oct. 2, 2001**

(54) **COMBINED MULTI-PURPOSE SLICER AND JUICER WITH INTERCHANGEABLE ACCESSORIES**

(76) **Inventor:** **Yan Kwong Wong**, Flat 1016-17, 10th Floor, Metro Centre II, 21 Lam Hing Street, Kowloon Bay, Kowloon (HK)

(**) **Term:** **14 Years**

(21) **Appl. No.:** **29/127,953**

(22) **Filed:** **Aug. 15, 2000**

(30) **Foreign Application Priority Data**

Feb. 15, 2000 (HK) 0010177

(51) **LOC (7) Cl.** **07-04**

(52) **U.S. Cl.** **D7/673; D7/666; D7/381**

(58) **Field of Search** **D7/381-384, 368, D7/665, 666, 672, 673, 693; 99/495, 499, 501-513; 100/125, 213, 283; 241/33, 36, 37, 282.2, 273.1**

(56) **References Cited**

U.S. PATENT DOCUMENTS

D. 373,703 * 9/1996 Frisell D7/384

D. 395,194 * 6/1998 Wong D7/384

D. 433,594 * 11/2000 Wong D7/384

OTHER PUBLICATIONS

HK Enterprise, Jan. 1998, p. 690, 12-in-1 Food Processor, bottom, left corner.*

* cited by examiner

Primary Examiner—Terry A. Wallace

(74) *Attorney, Agent, or Firm*—Salter & Michaelson

(57) **CLAIM**

The ornamental design for a combined multi-purpose slicer and juicer with interchangeable accessories, as shown and described.

DESCRIPTION

FIG. 1 is a perspective view of a combined multi-purpose slicer and juicer with interchangeable accessories, including interchangeable accessories, showing my new design;

FIG. 2 is a perspective view of the combined multi-purpose slicer and juicer with interchangeable accessories showing one of the interchangeable accessories;

FIG. 3 is a side elevational view with the opposite side being a mirror image thereof;

FIG. 4 is a front elevational view thereof;

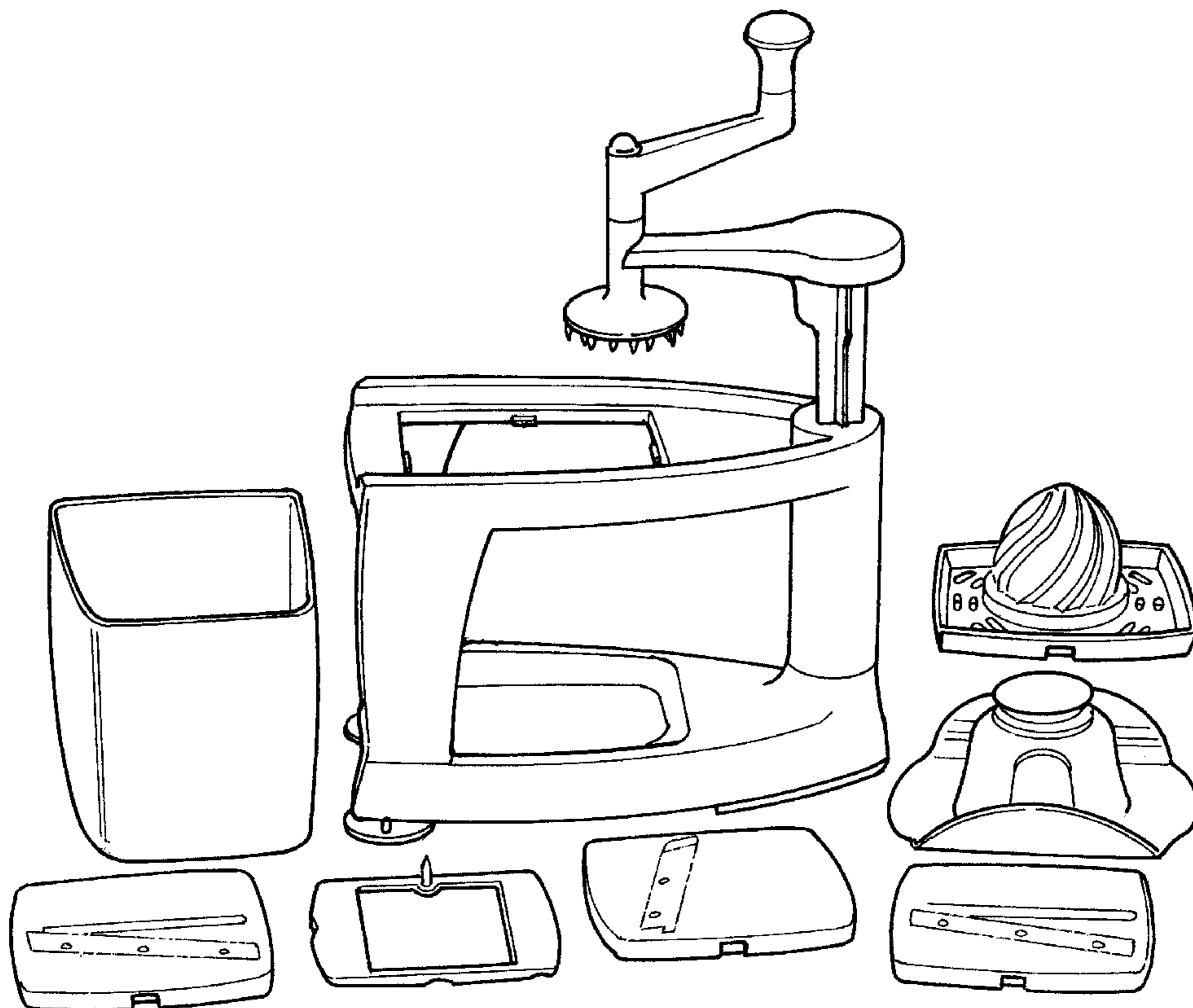
FIG. 5 is a rear elevational view thereof;

FIG. 6 is a top plan view thereof; and,

FIG. 7 is a bottom plan view thereof.

The portions shown in broken lines are included for illustrative purposes only and form no part of the claimed design.

1 Claim, 7 Drawing Sheets



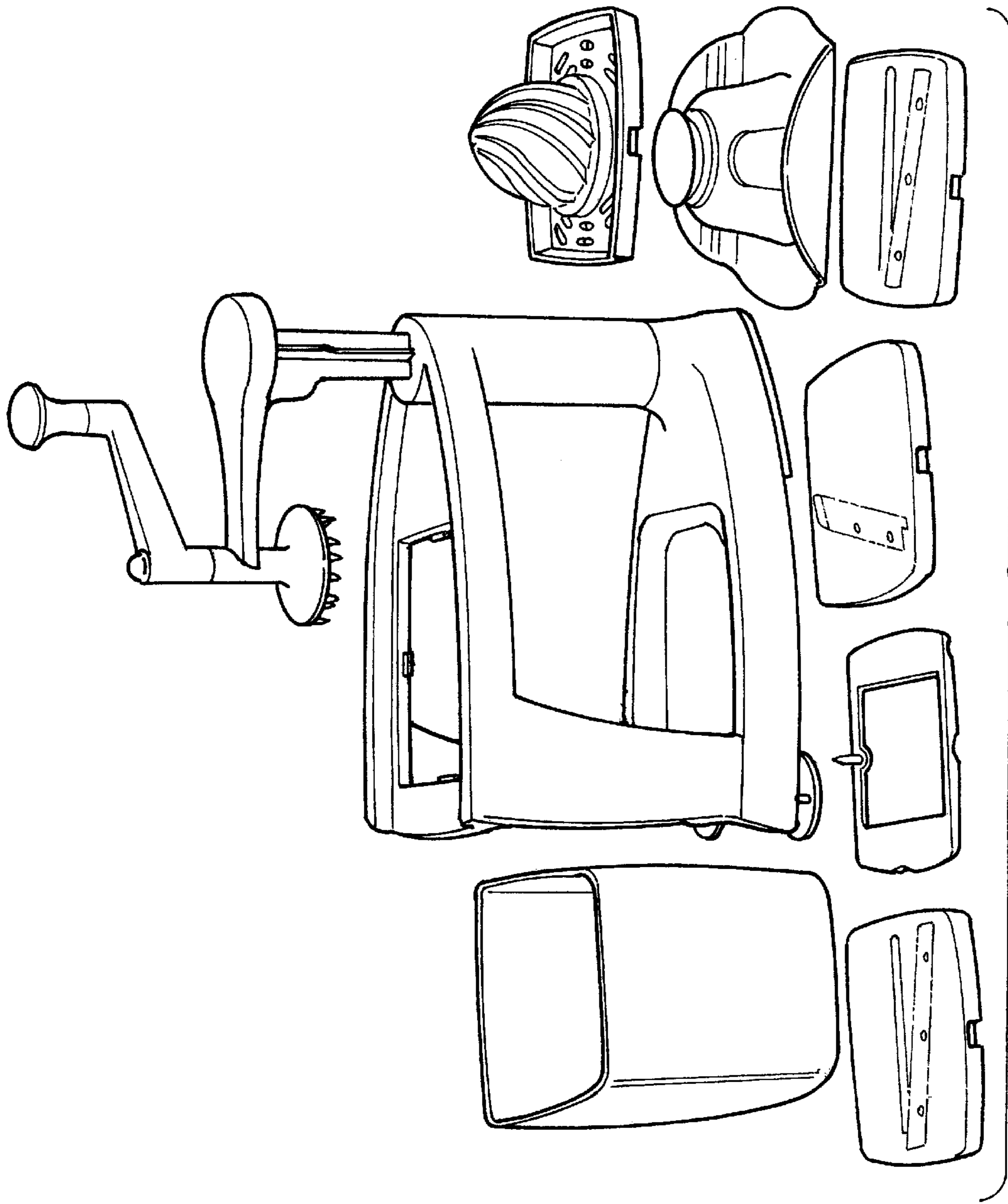


FIG. 1

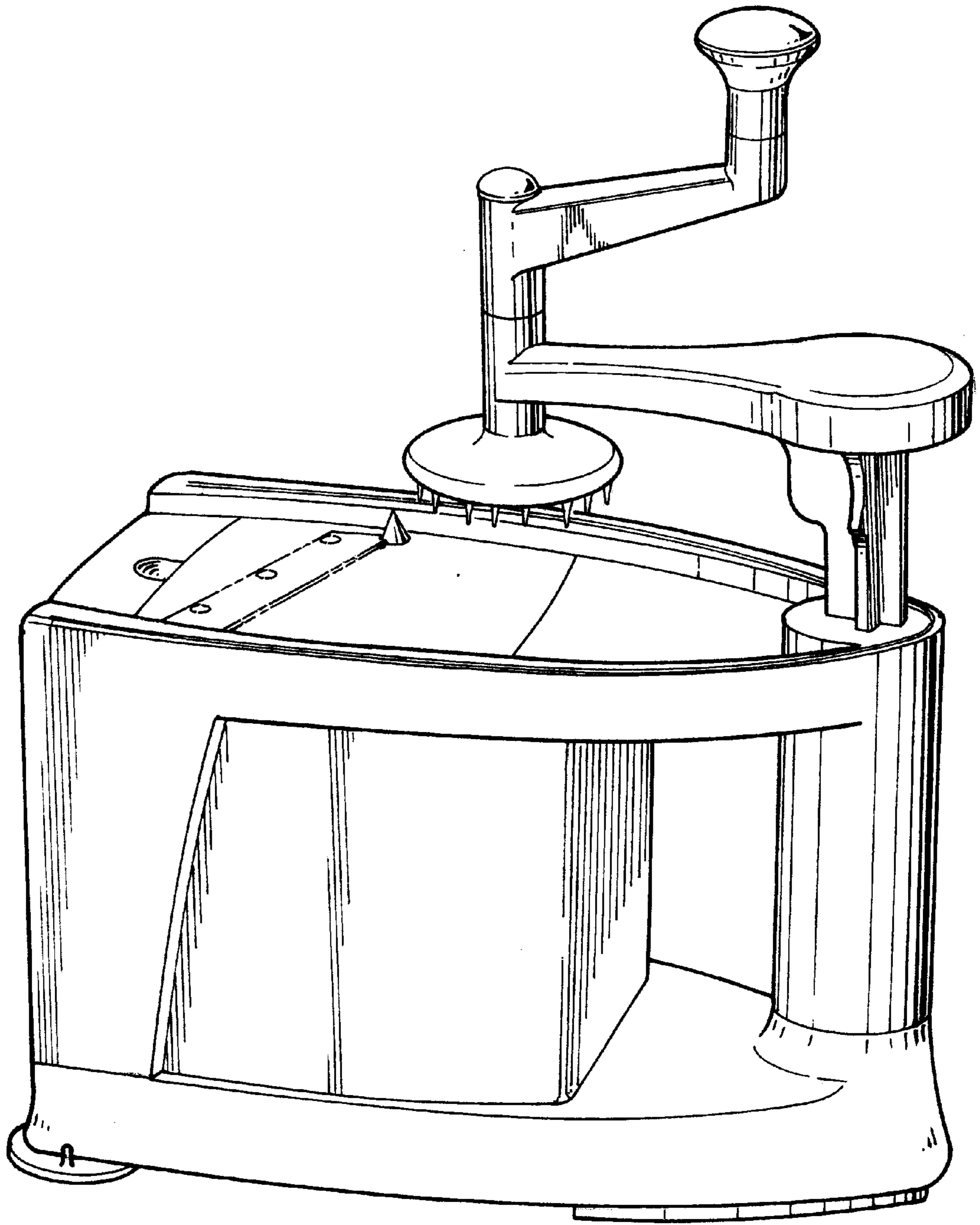
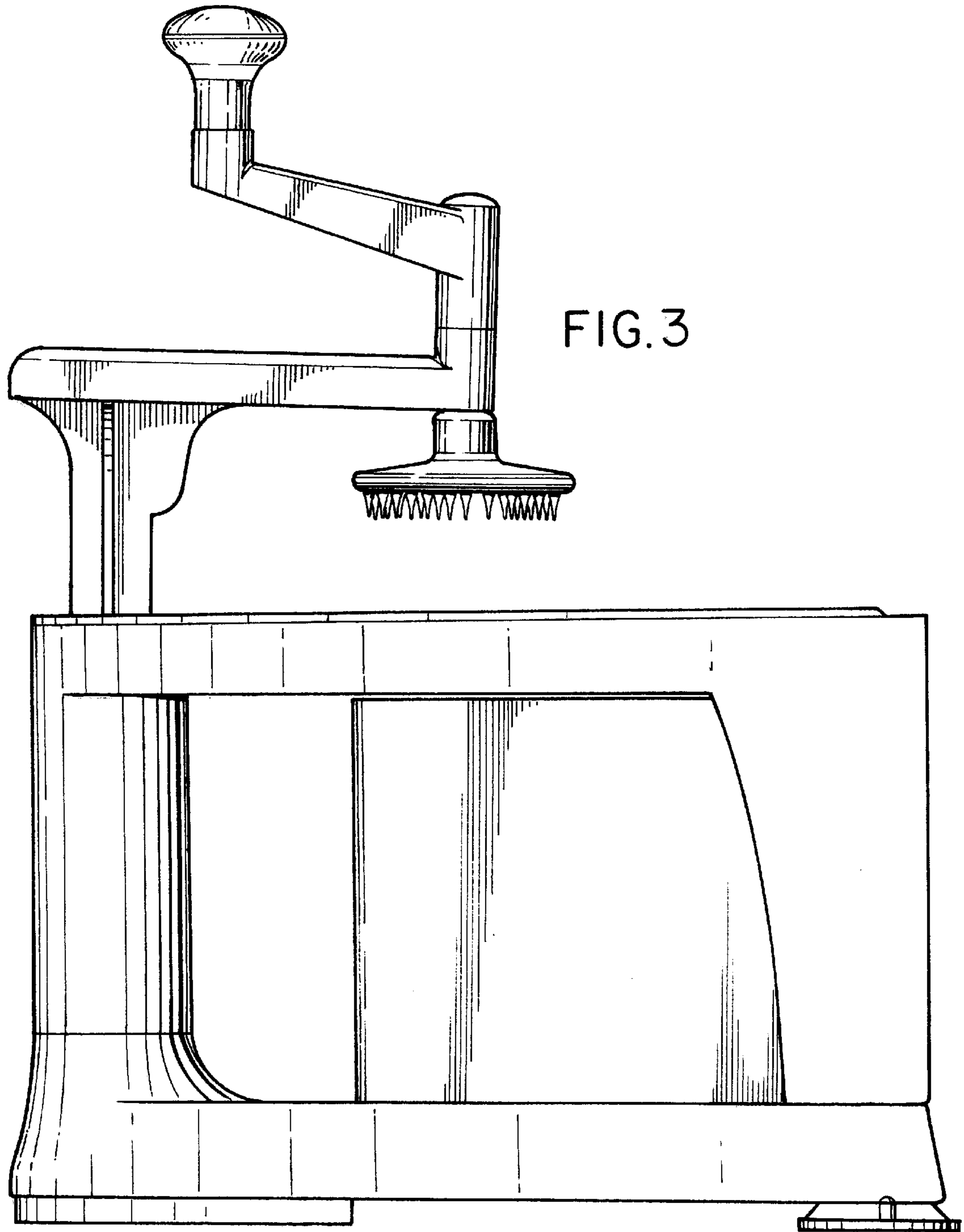


FIG. 2



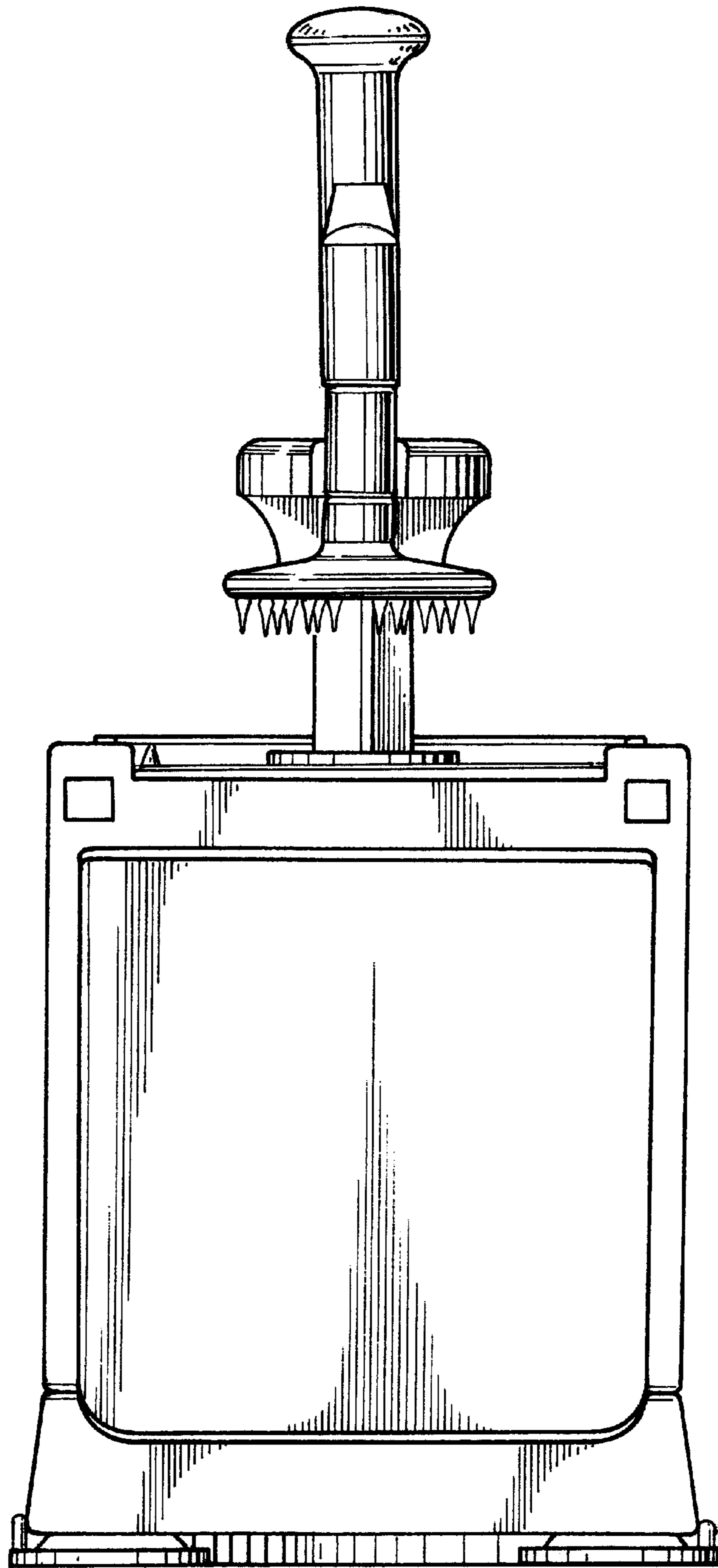


FIG. 4

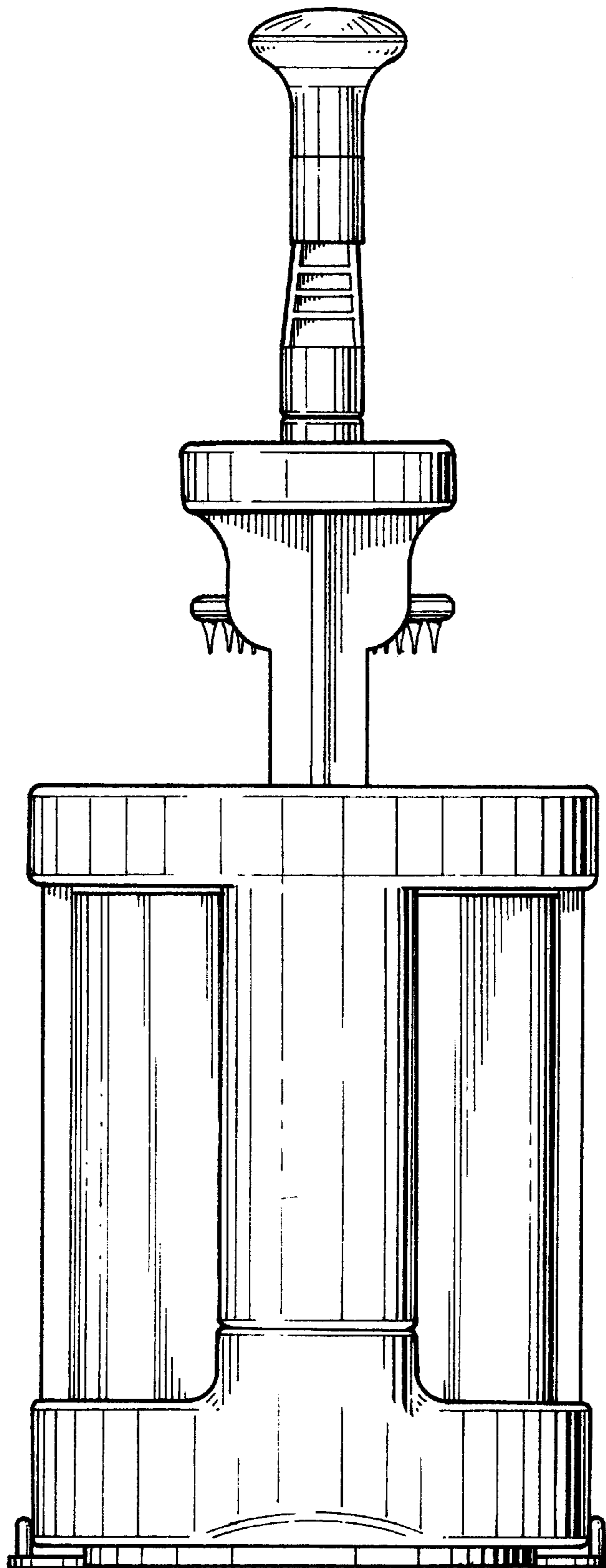


FIG. 5

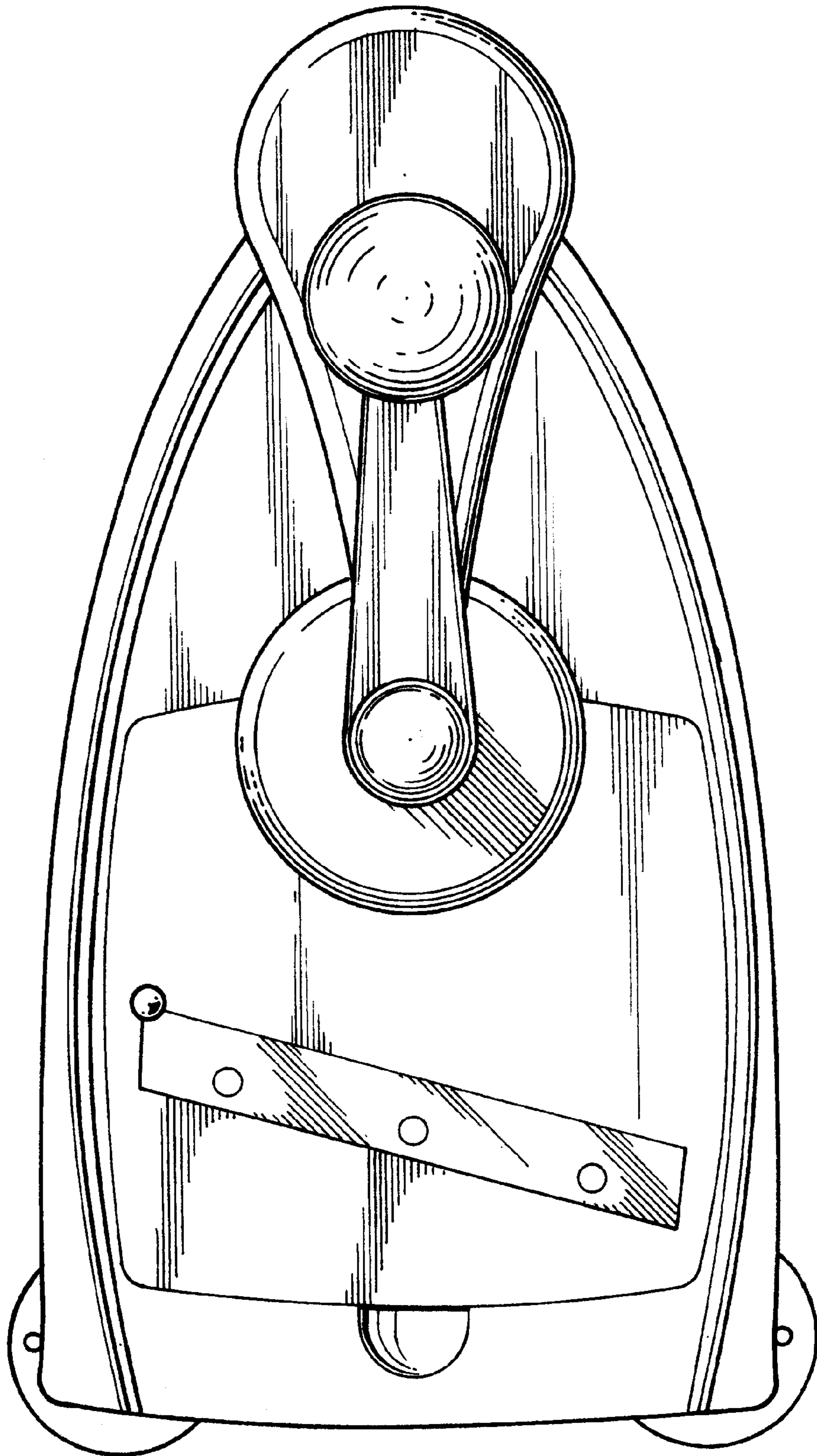


FIG. 6

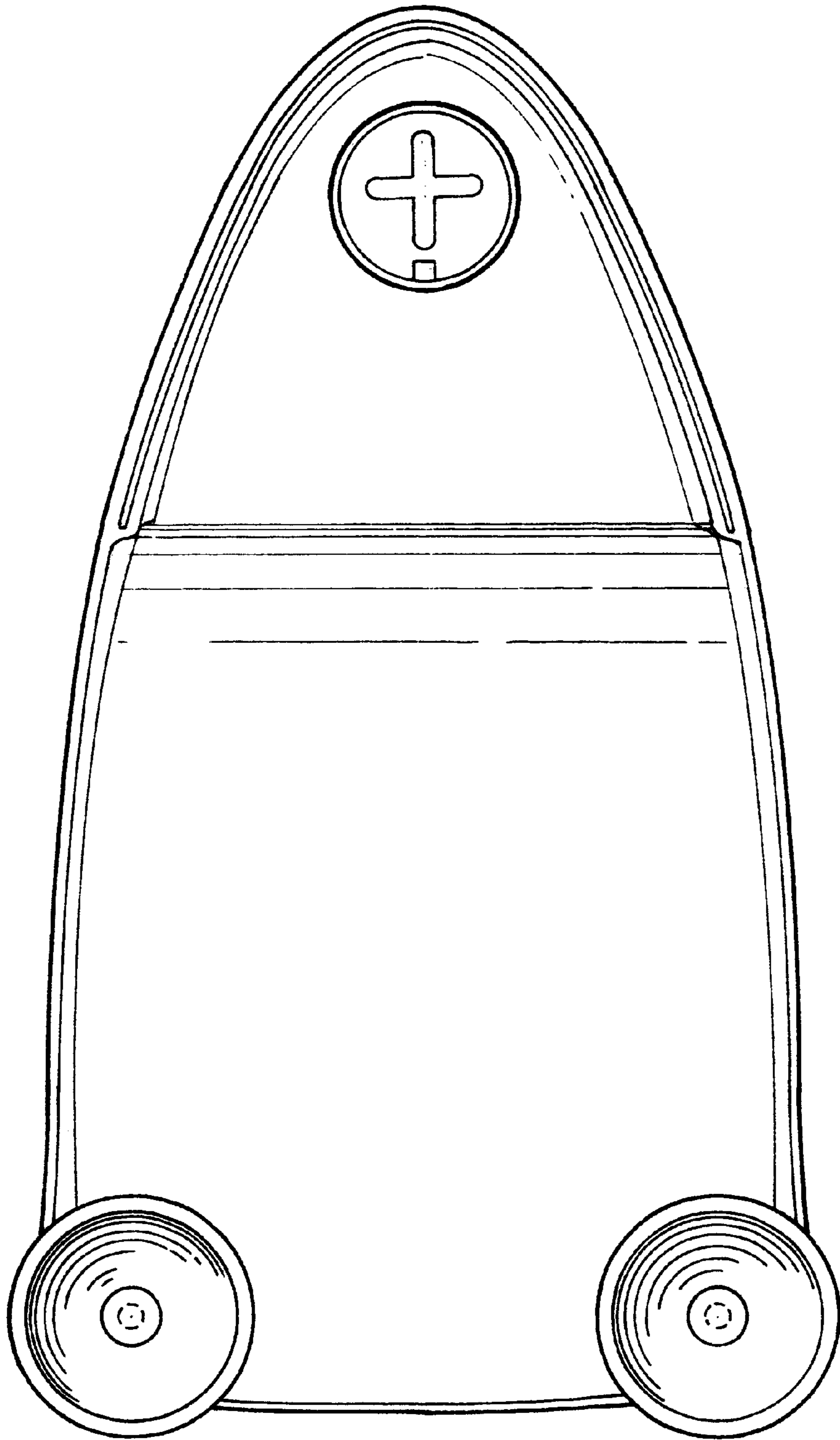


FIG. 7