



US00D448627B1

(12) **United States Design Patent**
Chan

(10) **Patent No.:** **US D448,627 S**

(45) **Date of Patent:** **** Oct. 2, 2001**

(54) **CHOPSTICKS**

(75) **Inventor:** **Chik Sum Chan, Yuen Long (HK)**

(73) **Assignee:** **KADO Industrial Company Limited, Shatin (HK)**

(**) **Term:** **14 Years**

(21) **Appl. No.:** **29/131,591**

(22) **Filed:** **Oct. 24, 2000**

(30) **Foreign Application Priority Data**

Jun. 28, 2000 (GB) 2093838

(51) **LOC (7) Cl.** **07-03**

(52) **U.S. Cl.** **D7/642**

(58) **Field of Search** D7/642, 683, 669;
294/99.2

(56) **References Cited**

U.S. PATENT DOCUMENTS

D. 311,851 * 11/1990 Allardyce D7/686

D. 345,086 * 3/1994 Shapiro D7/642
3,892,435 * 7/1975 Huey 294/99.2
4,576,408 * 3/1986 Maneki 294/99.2

* cited by examiner

Primary Examiner—Caron D. Veynar

(74) *Attorney, Agent, or Firm*—Hall, Priddy, Myers & Vande Sande

(57) **CLAIM**

The ornamental design for chopsticks, as shown.

DESCRIPTION

FIG. 1 is a front perspective view;
FIG. 2 is a top view;
FIG. 3 is a front view;
FIG. 4 is a side view;
FIG. 5 is a back view;
FIG. 6 is an opposite side view; and,
FIG. 7 is a bottom view.

1 Claim, 3 Drawing Sheets

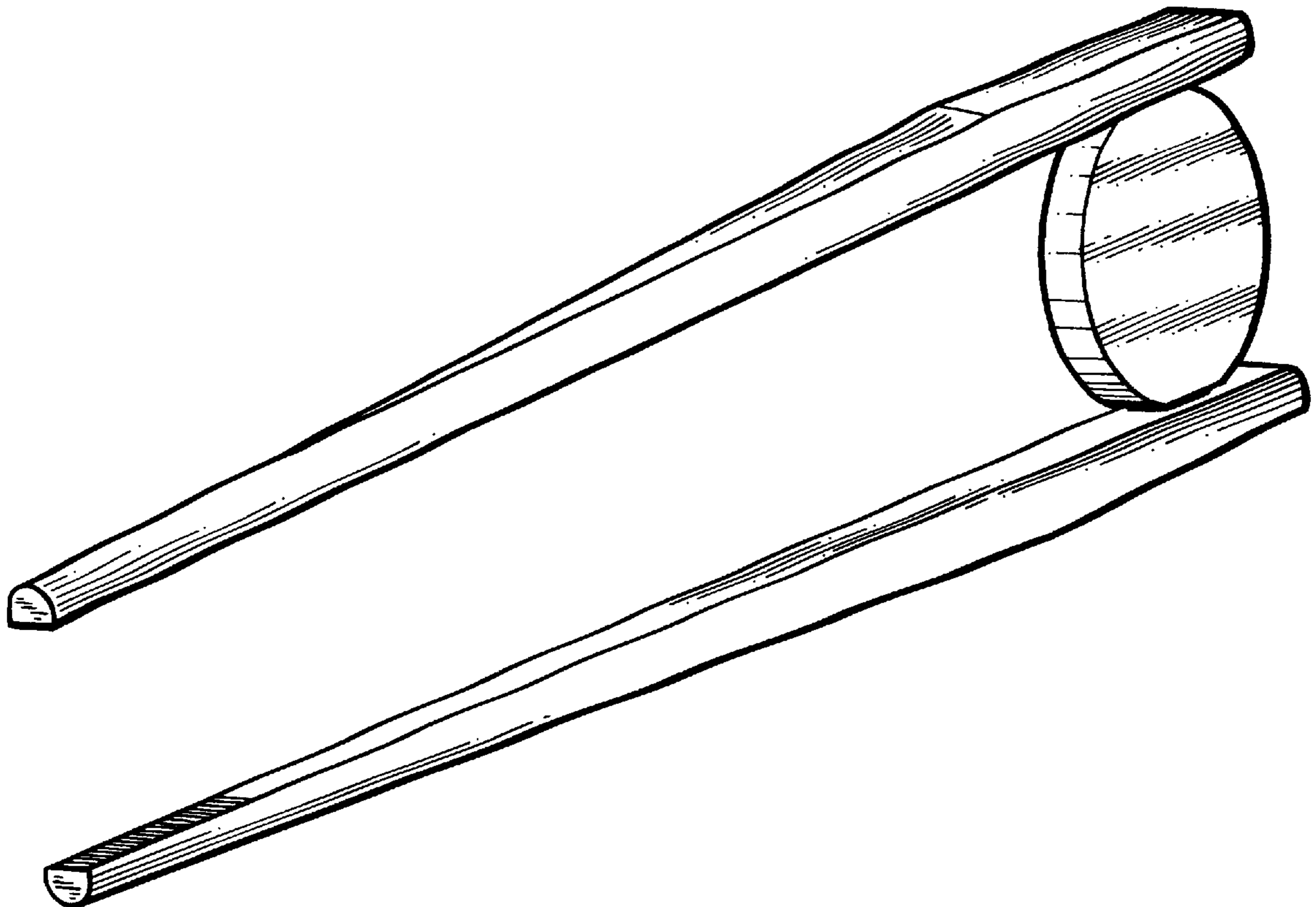


FIG. 1

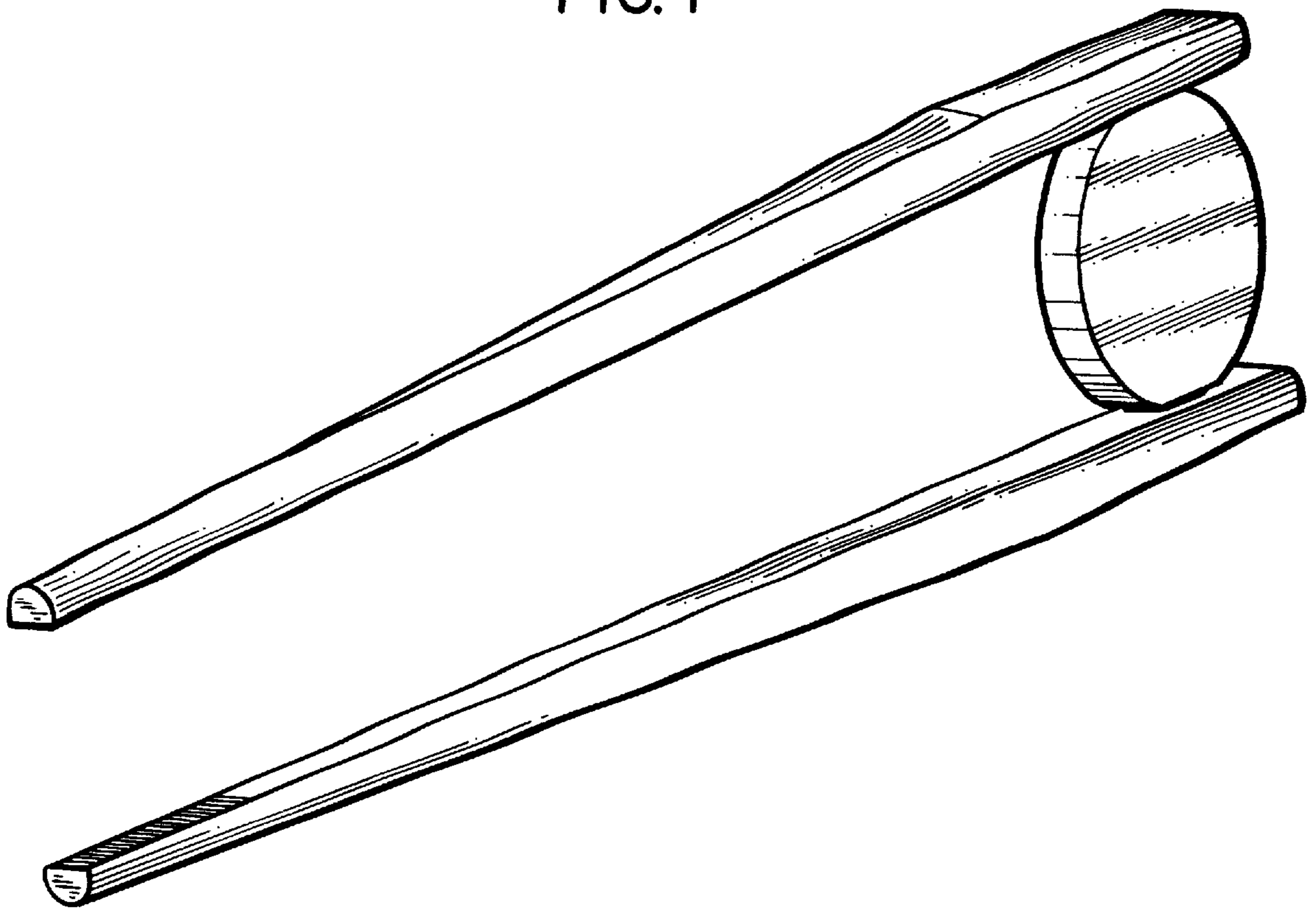


FIG. 2

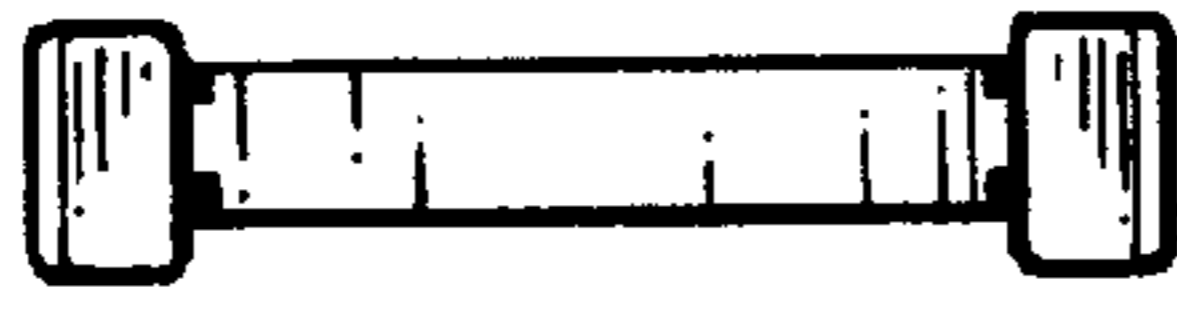


FIG. 3

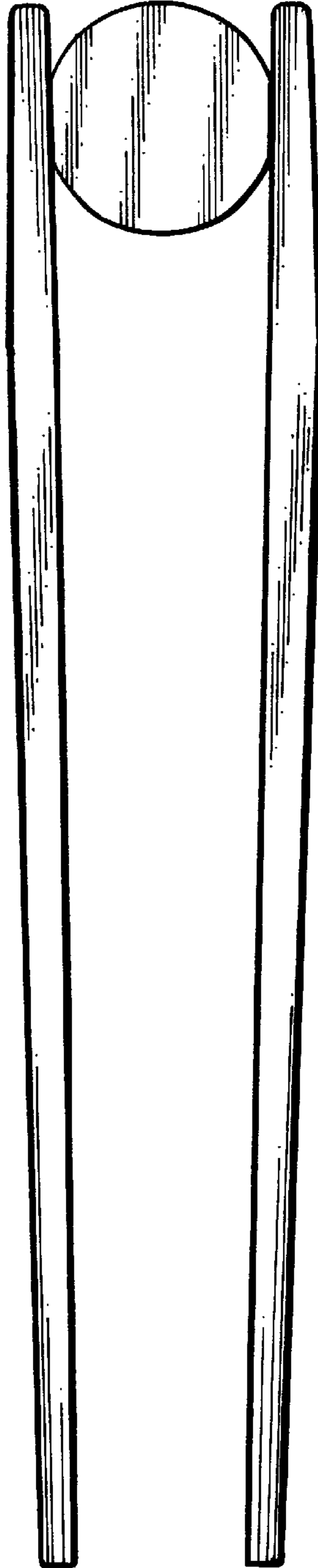


FIG. 4



FIG. 5

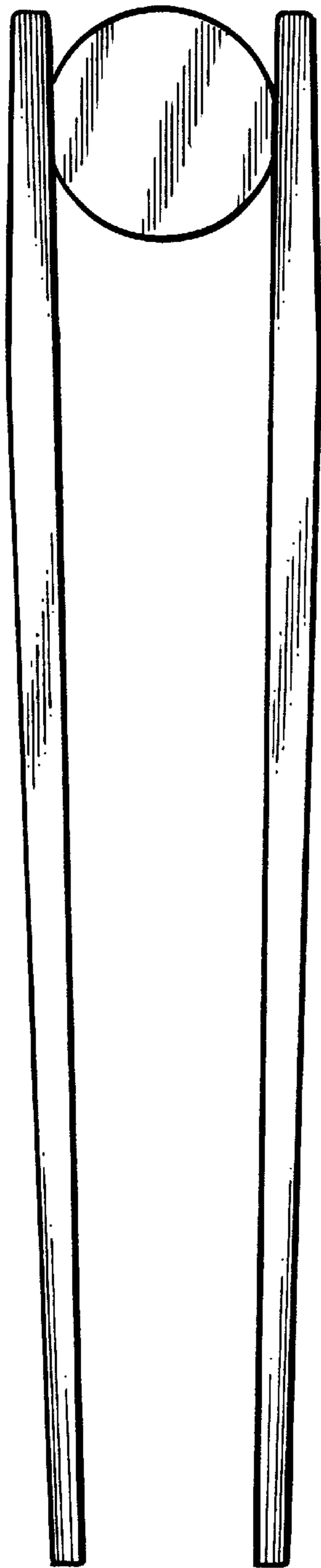


FIG. 6

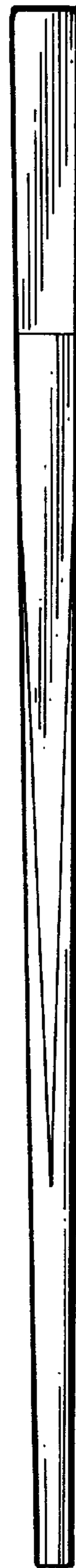


FIG. 7

