



US00D448625B1

(12) **United States Design Patent**  
**Moffett, III et al.**

(10) **Patent No.:** **US D448,625 S**

(45) **Date of Patent:** **\*\* Oct. 2, 2001**

(54) **FOLDING STAND COOLER**

2,663,391 \* 12/1953 Kuhns ..... D7/605 X

(76) Inventors: **Noah Moffett, III**, 1250 Dundale Ave.,  
Norfolk, VA (US) 23513; **Andrew**  
**Moore**, 2501 Rice St., Chesapeake, VA  
(US) 23324

\* cited by examiner

*Primary Examiner*—Terry A. Wallace

(\*\*) Term: **14 Years**

(57) **CLAIM**

The ornamental design for a folding stand cooler, as shown  
and described.

(21) Appl. No.: **29/119,991**

**DESCRIPTION**

(22) Filed: **Mar. 13, 2000**

(51) **LOC (7) Cl.** ..... **07-01**

(52) **U.S. Cl.** ..... **D7/605**

(58) **Field of Search** ..... D7/605-607; 62/457.1,  
62/457.7, 371; 220/915.1, 915.2

FIG. 1 is a top, front perspective view of a folding stand  
cooler showing our new design, shown in an open position,  
the remaining views shown in a closed position;

FIG. 2 is a bottom plan view thereof;

FIG. 3 is a top plan view thereof;

FIG. 4 is a rear view thereof;

FIG. 5 is a left side view thereof; and,

FIG. 6 is a right side view thereof.

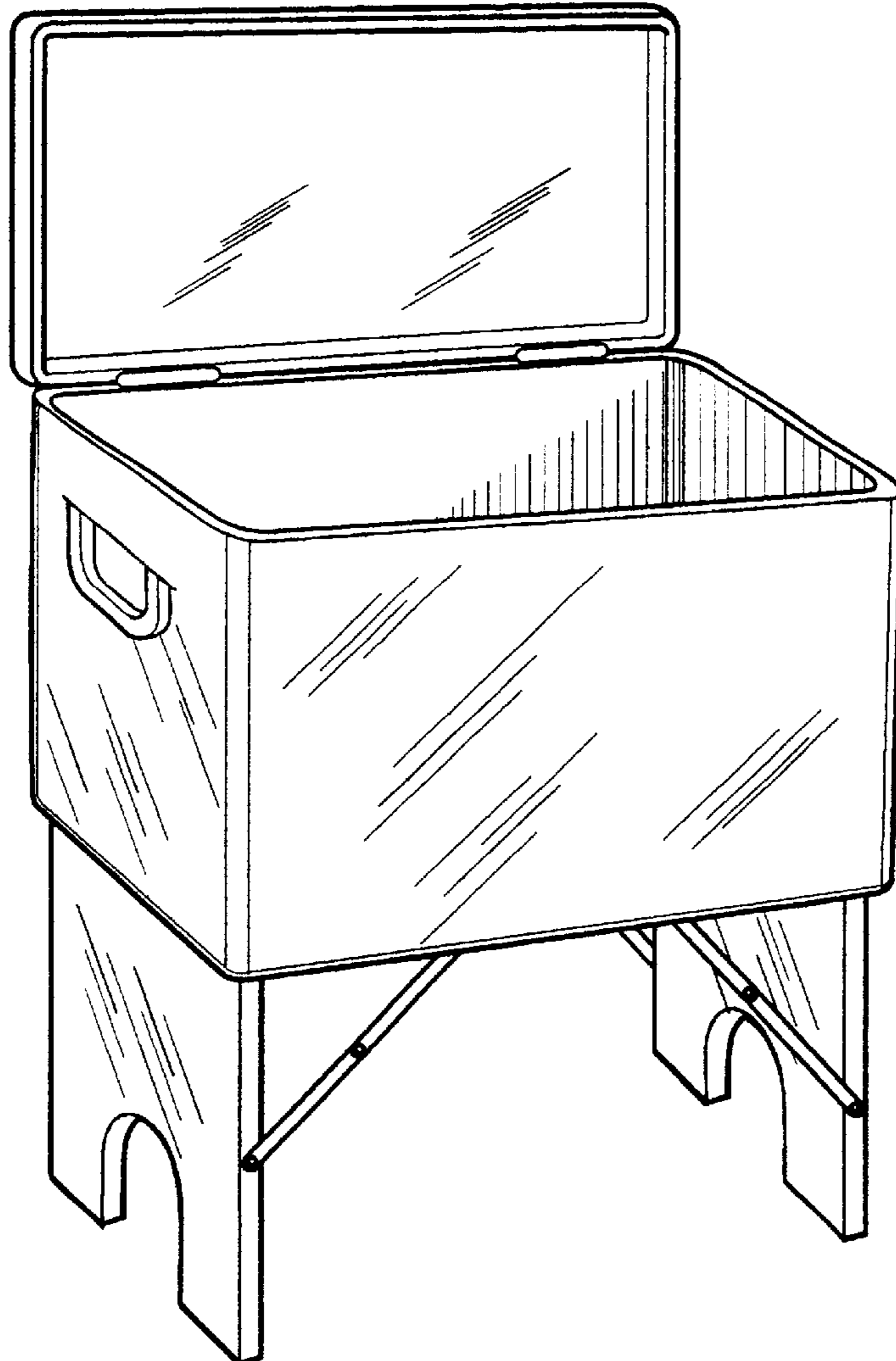
(56) **References Cited**

**U.S. PATENT DOCUMENTS**

D. 302,922 \* 8/1989 Carlson ..... D7/605

D. 421,696 \* 3/2000 Hendrix ..... D7/605

**1 Claim, 4 Drawing Sheets**



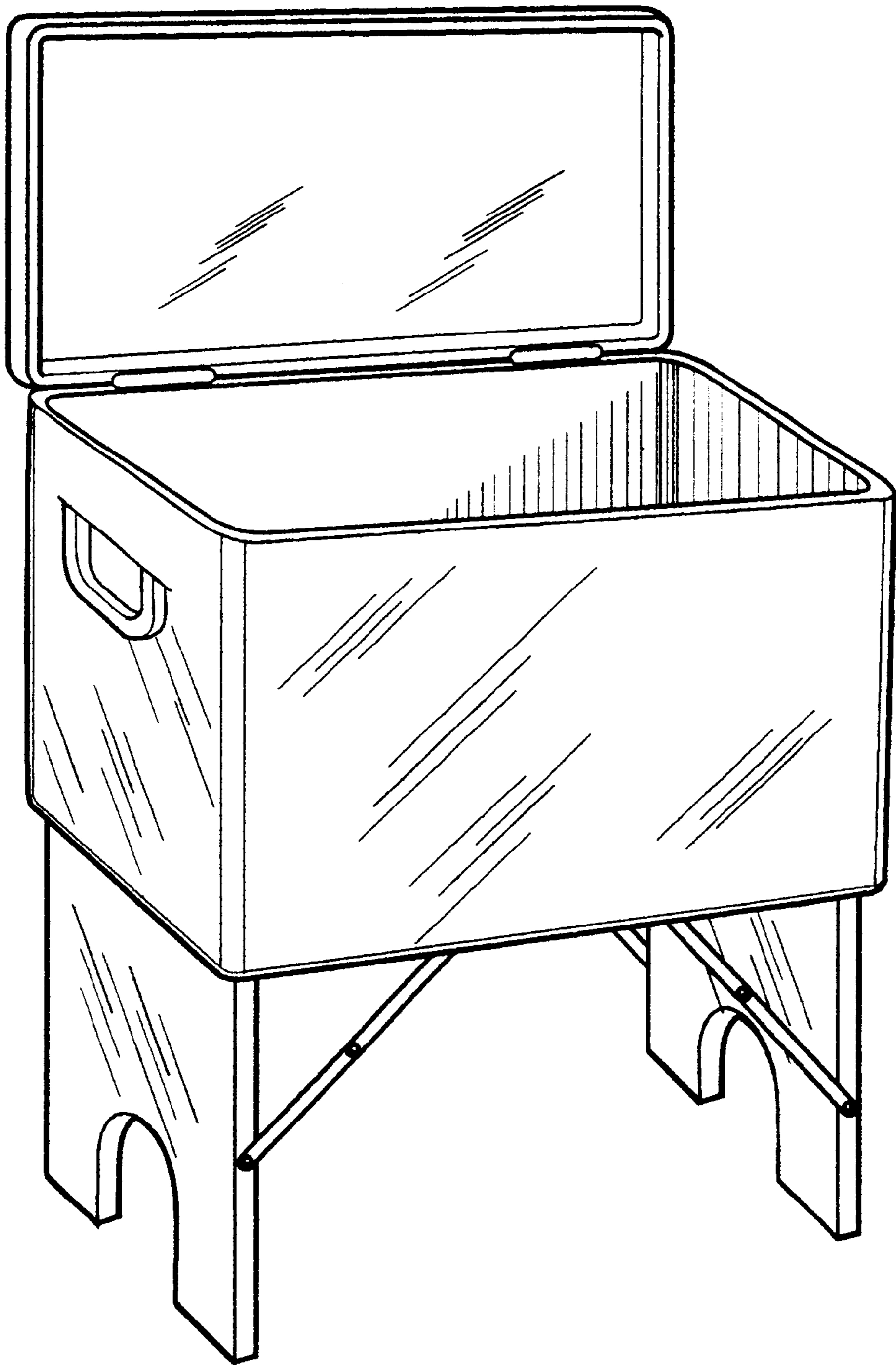


FIG. 1

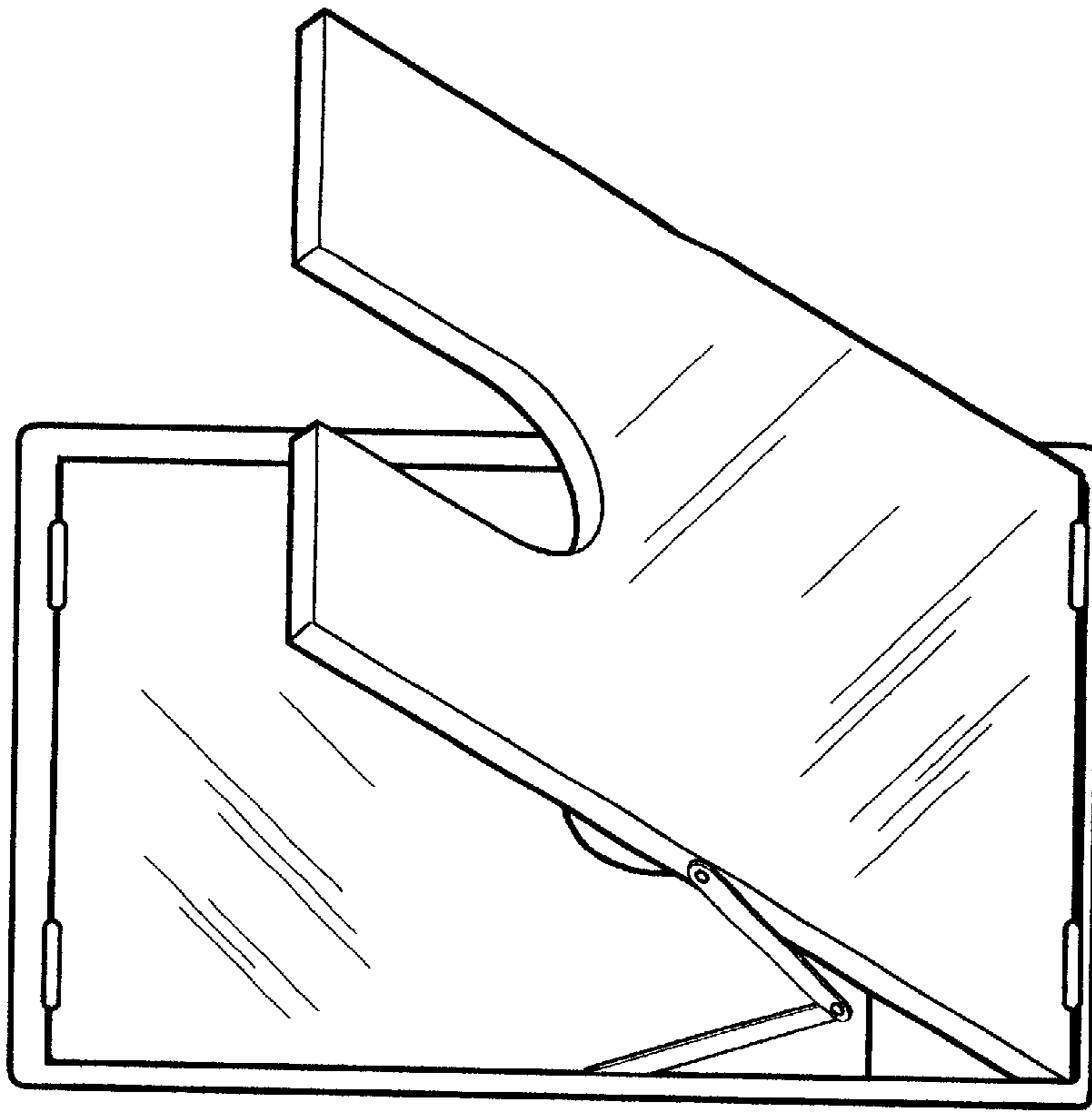


FIG. 2

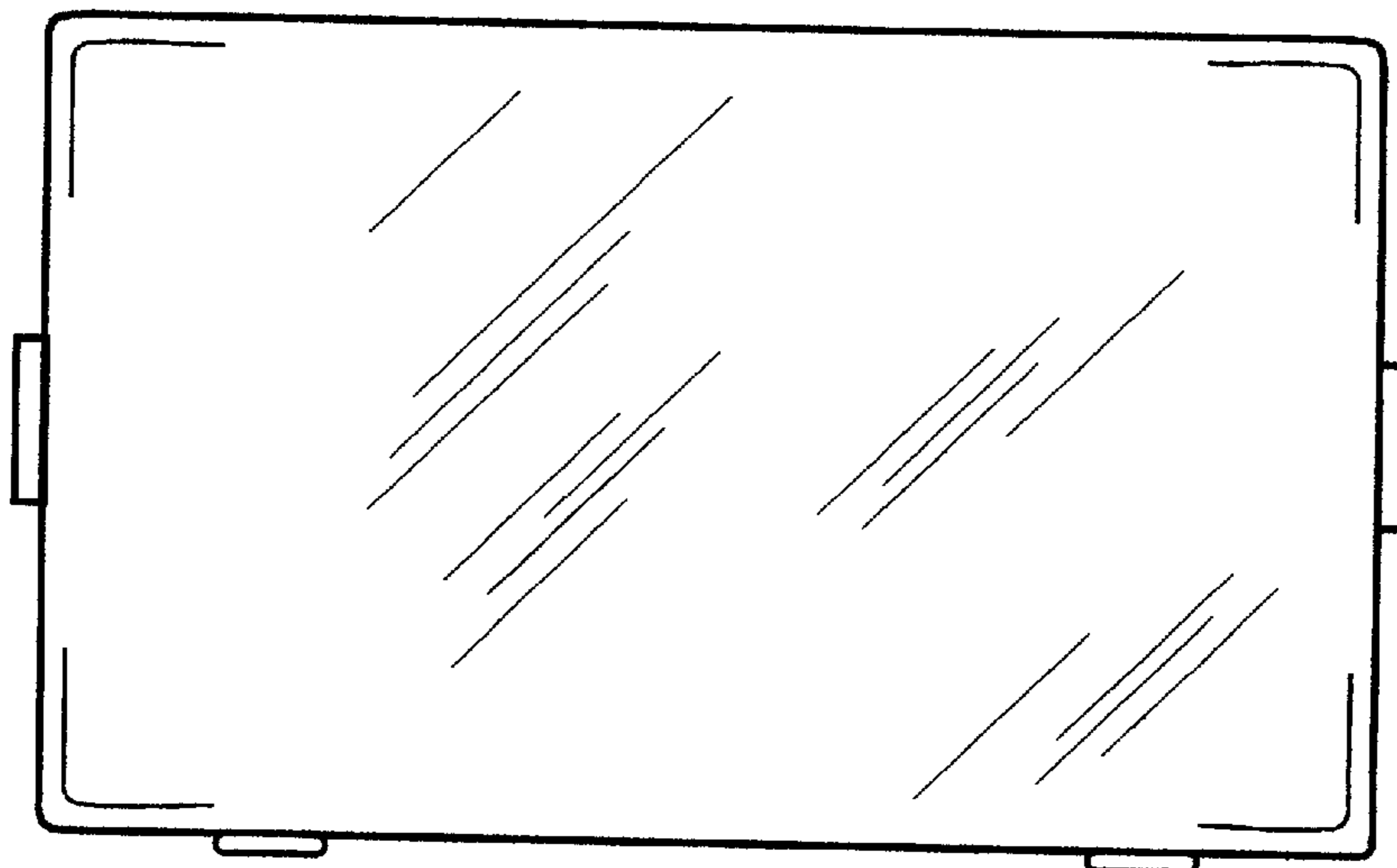


FIG. 3

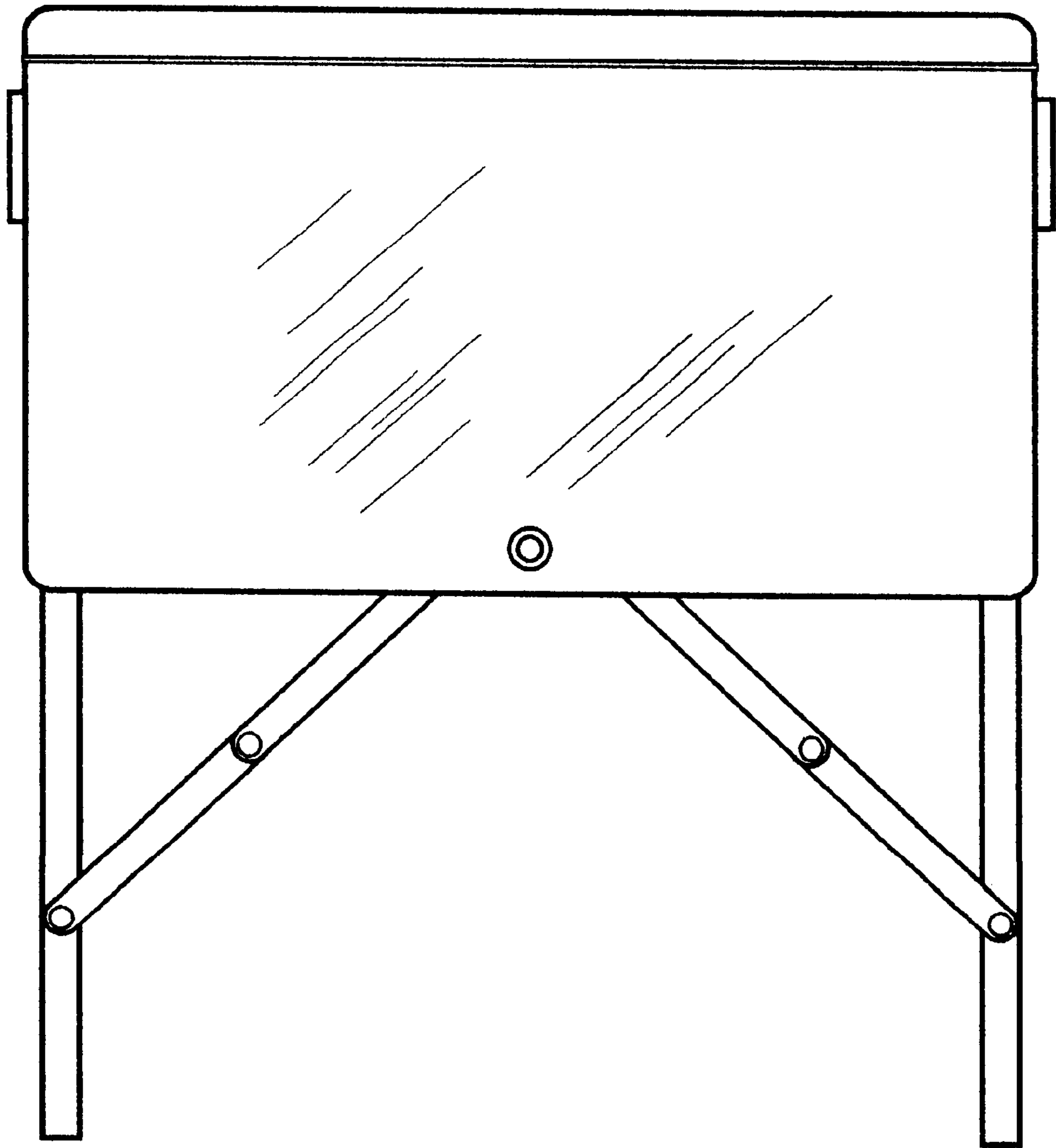


FIG. 4

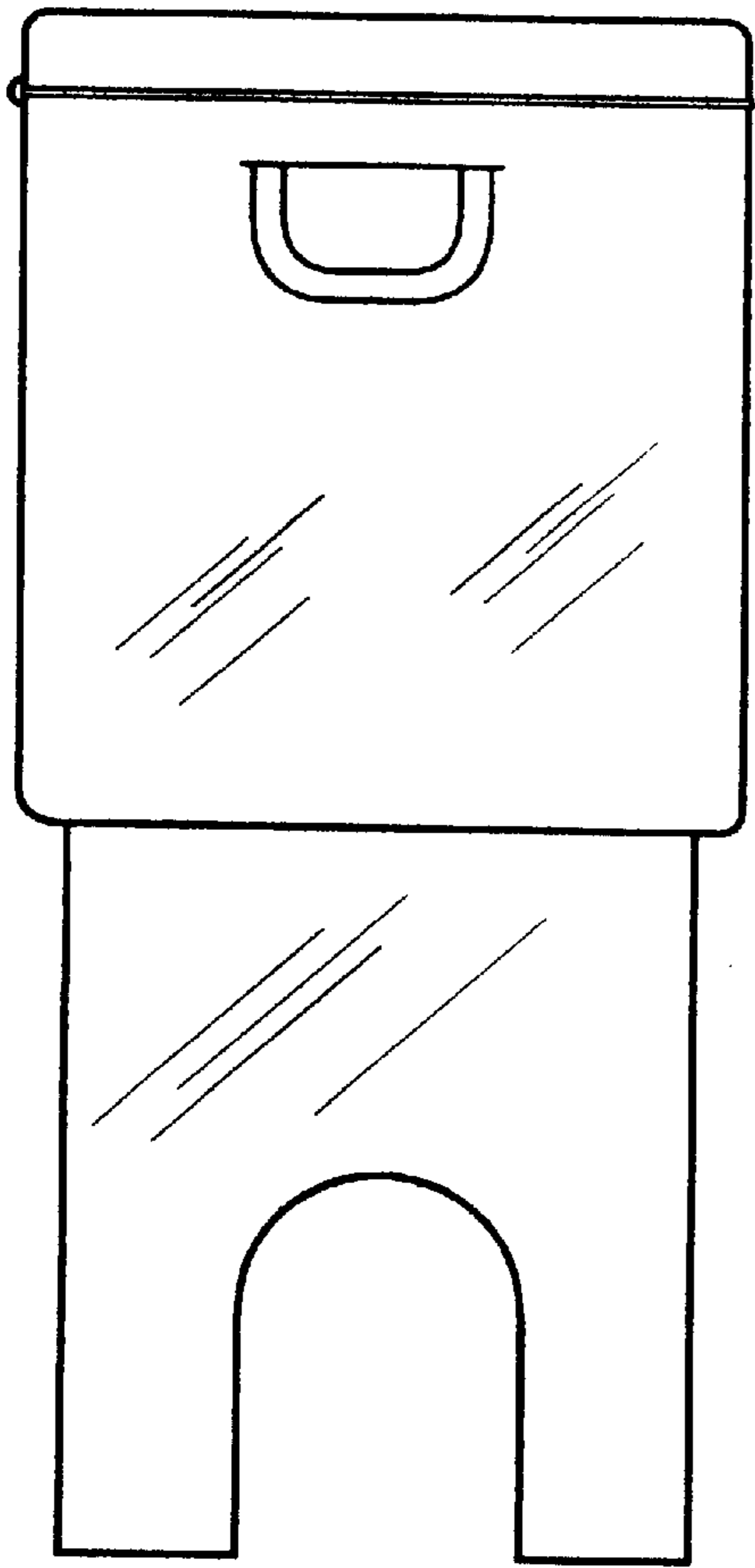


FIG. 5

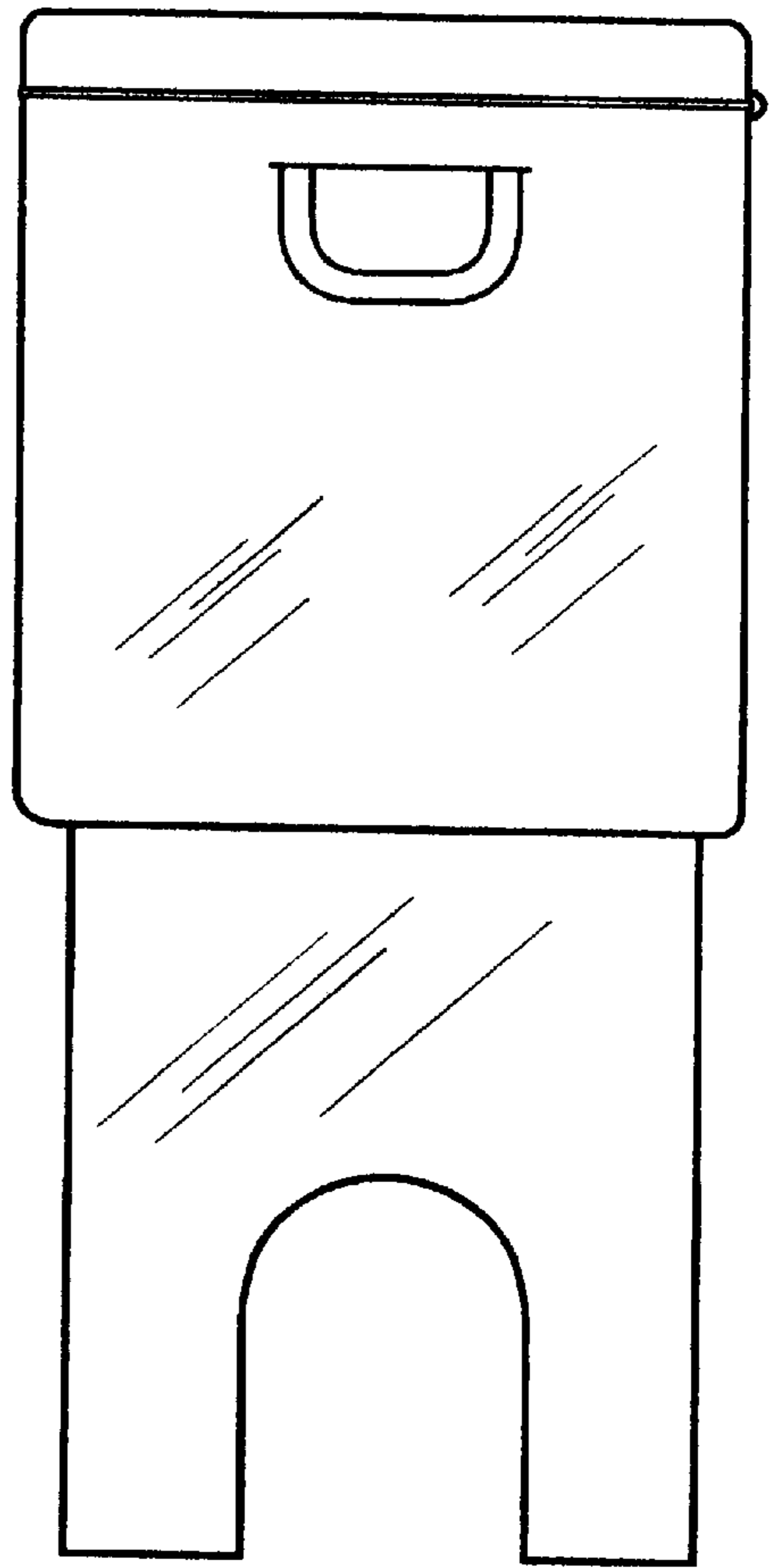


FIG. 6