



US00D448616B1

(12) **United States Design Patent**
Crookshanks

(10) **Patent No.:** **US D448,616 S**

(45) **Date of Patent:** **** Oct. 2, 2001**

(54) **WOODEN BARBECUE GRILL CART WITH CURVED ARCH SUPPORTS**

5,109,834 * 5/1992 Collins et al. 126/41 R
5,623,866 * 4/1997 Home 99/444

(75) Inventor: **Kent Allan Stephen Crookshanks,**
Columbus, GA (US)

* cited by examiner

(73) Assignee: **W. C. Bradley Company,** Columbus,
GA (US)

Primary Examiner—Ruth McInroy
(74) *Attorney, Agent, or Firm*—James W. Kayden; Thomas,
Kayden, Horstemeyer & Risley

(**) Term: **14 Years**

(57) **CLAIM**

(21) Appl. No.: **29/127,776**

The ornamental design of a wooden barbecue grill cart with curved arch supports, as shown and described.

(22) Filed: **Aug. 11, 2000**

DESCRIPTION

(51) **LOC (7) Cl.** **07-02**

(52) **U.S. Cl.** **D7/402**

(58) **Field of Search** D7/332-337, 402-404,
D7/406; 126/31 R, 40, 50, 9 R, 25 R, 25 A,
25 AA, 29-30, 37 R, 38, 332

FIG. 1 is a perspective view showing my new wooden barbecue grill cart with curved arch supports; FIG. 2 is a left side elevational view thereof; FIG. 3 is a right side elevational view thereof; FIG. 4 is a front elevational view thereof. FIG. 5 is a rear elevational view thereof, FIG. 6 is a top plan view thereof; and, FIG. 7 is a bottom plan view thereof.

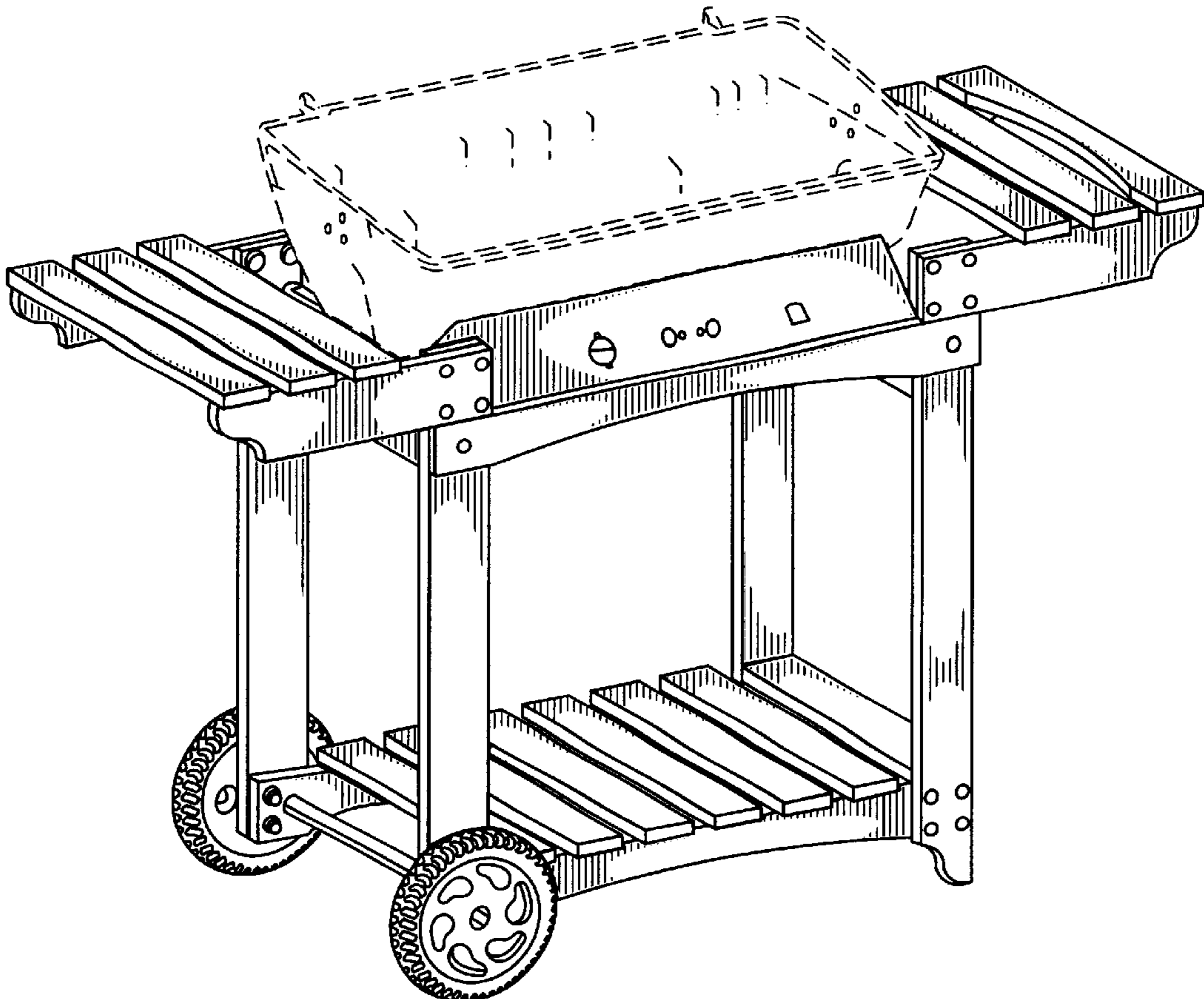
(56) **References Cited**

U.S. PATENT DOCUMENTS

- D. 322,909 * 1/1992 Parent et al. D7/334
- D. 324,622 * 3/1992 Baynes et al. D7/334
- D. 375,436 * 11/1996 Bird et al. D7/403
- D. 395,378 * 6/1998 Schlosser et al. D7/403
- D. 437,177 * 2/2001 Giebel et al. D7/334

The details shown in broken lines in FIGS. 1-7 are for illustrative purposes only and form no part of the claimed design. Portions of the claimed design obscured by broken lines form no part of the claimed design.

1 Claim, 5 Drawing Sheets



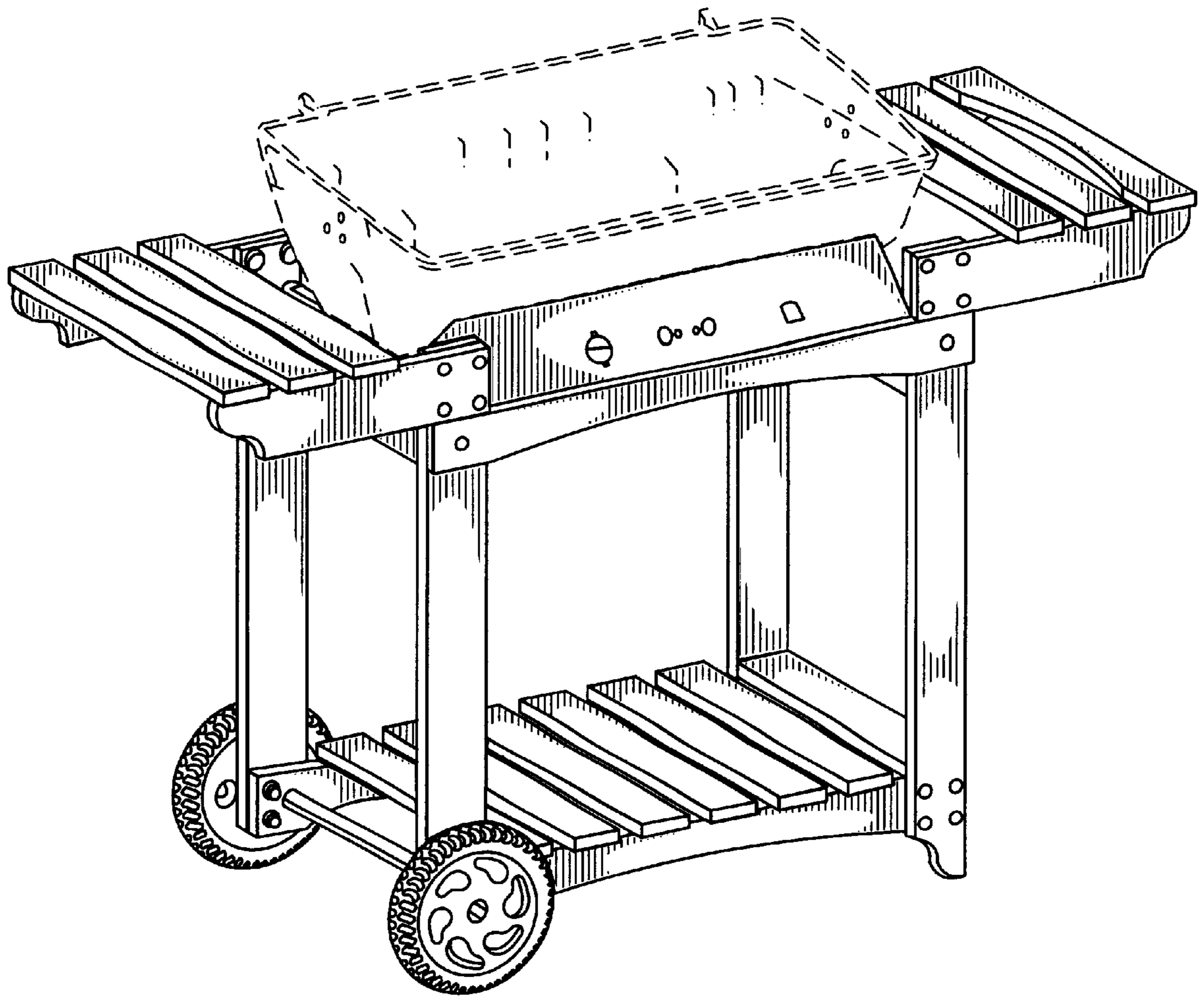


Fig. 1

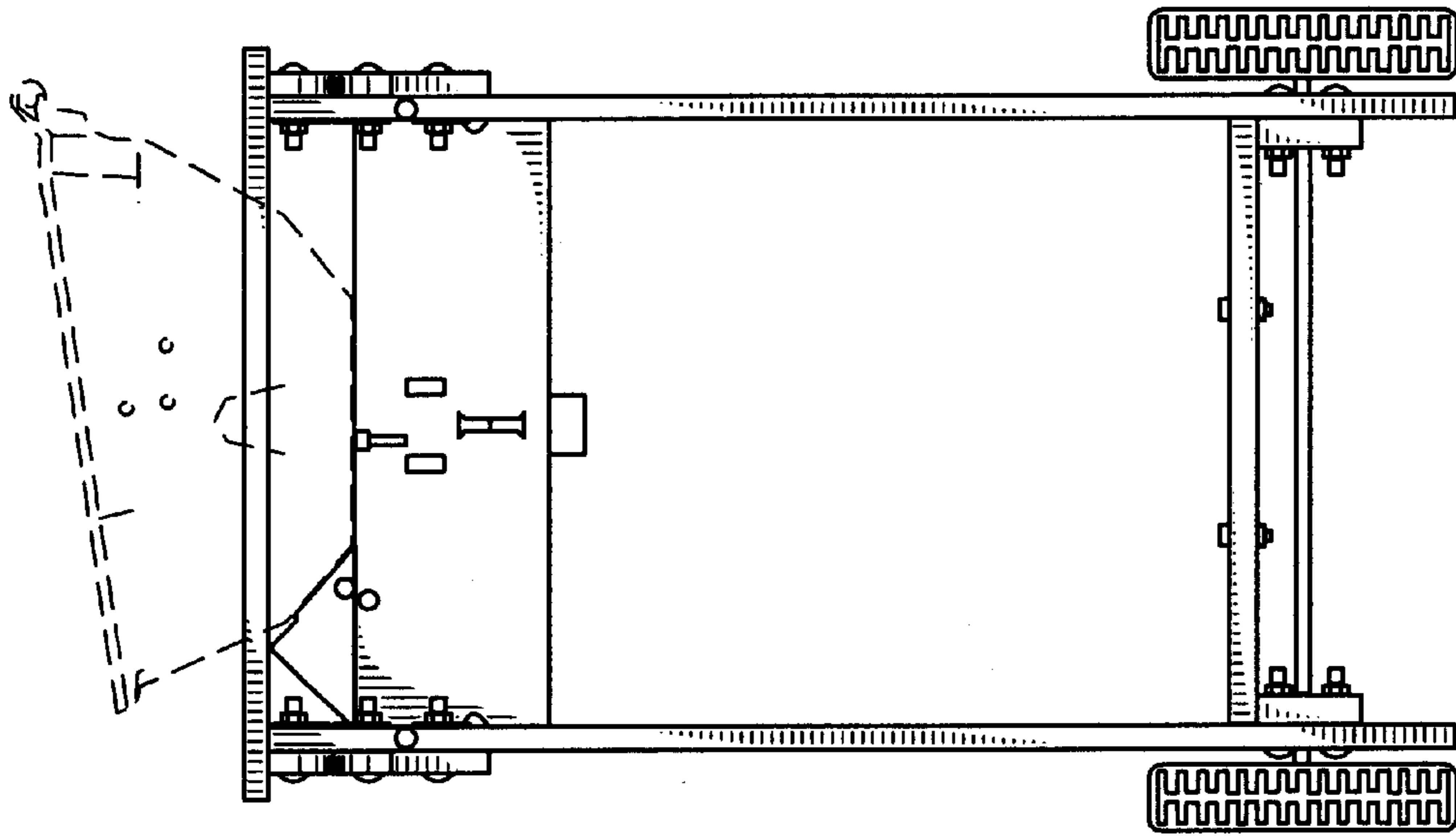


Fig. 3

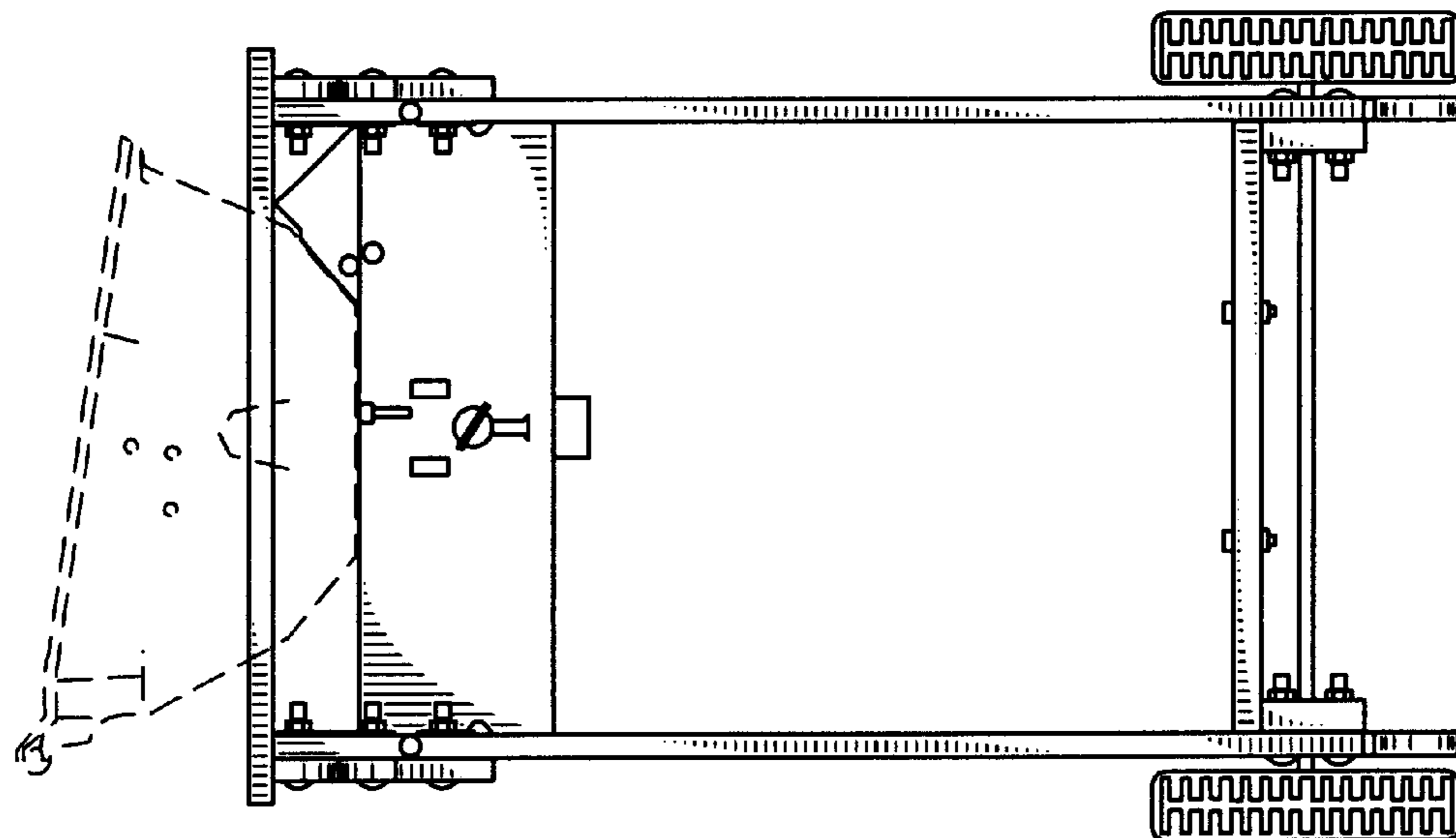


Fig. 2

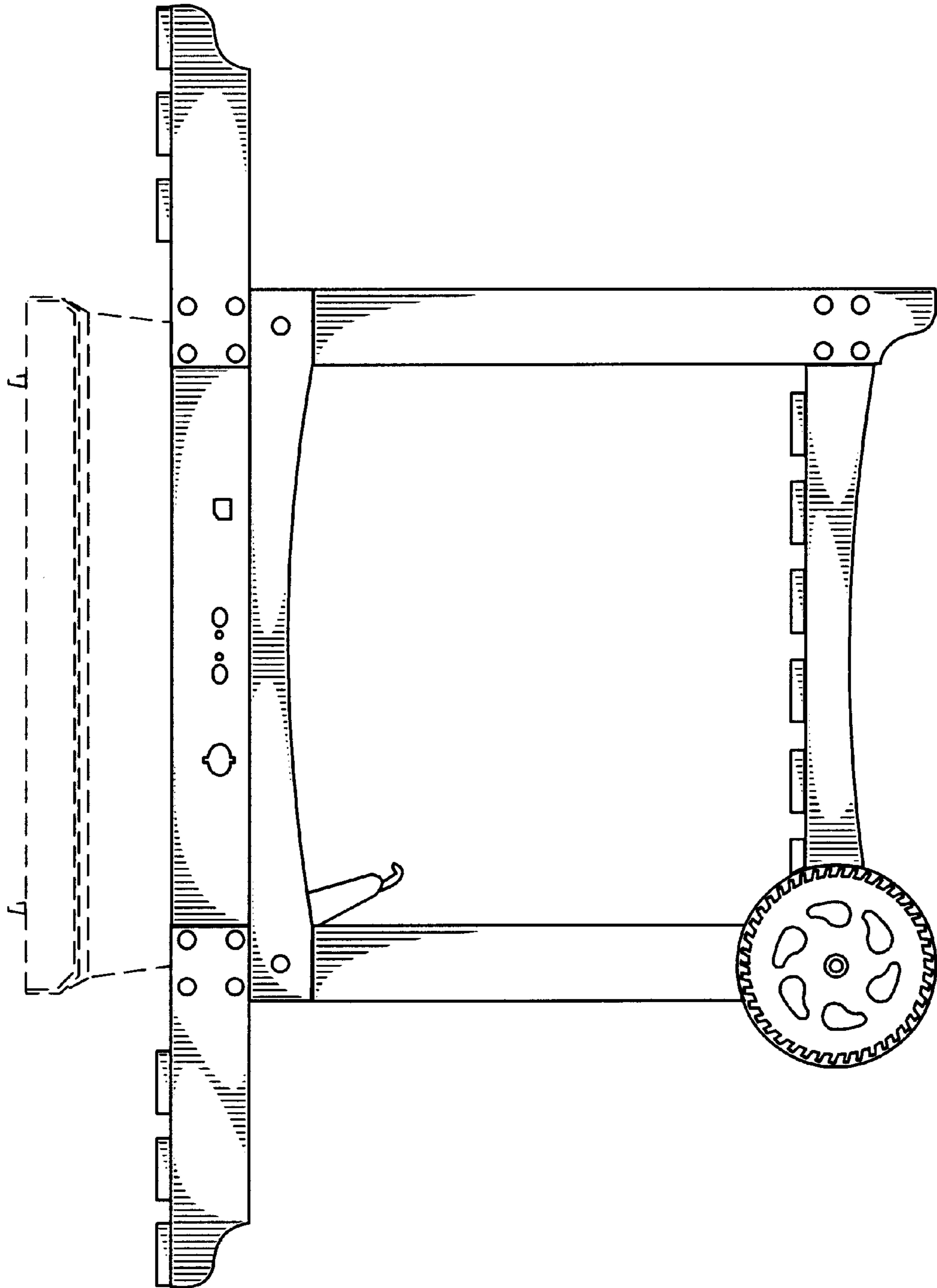


Fig. 4

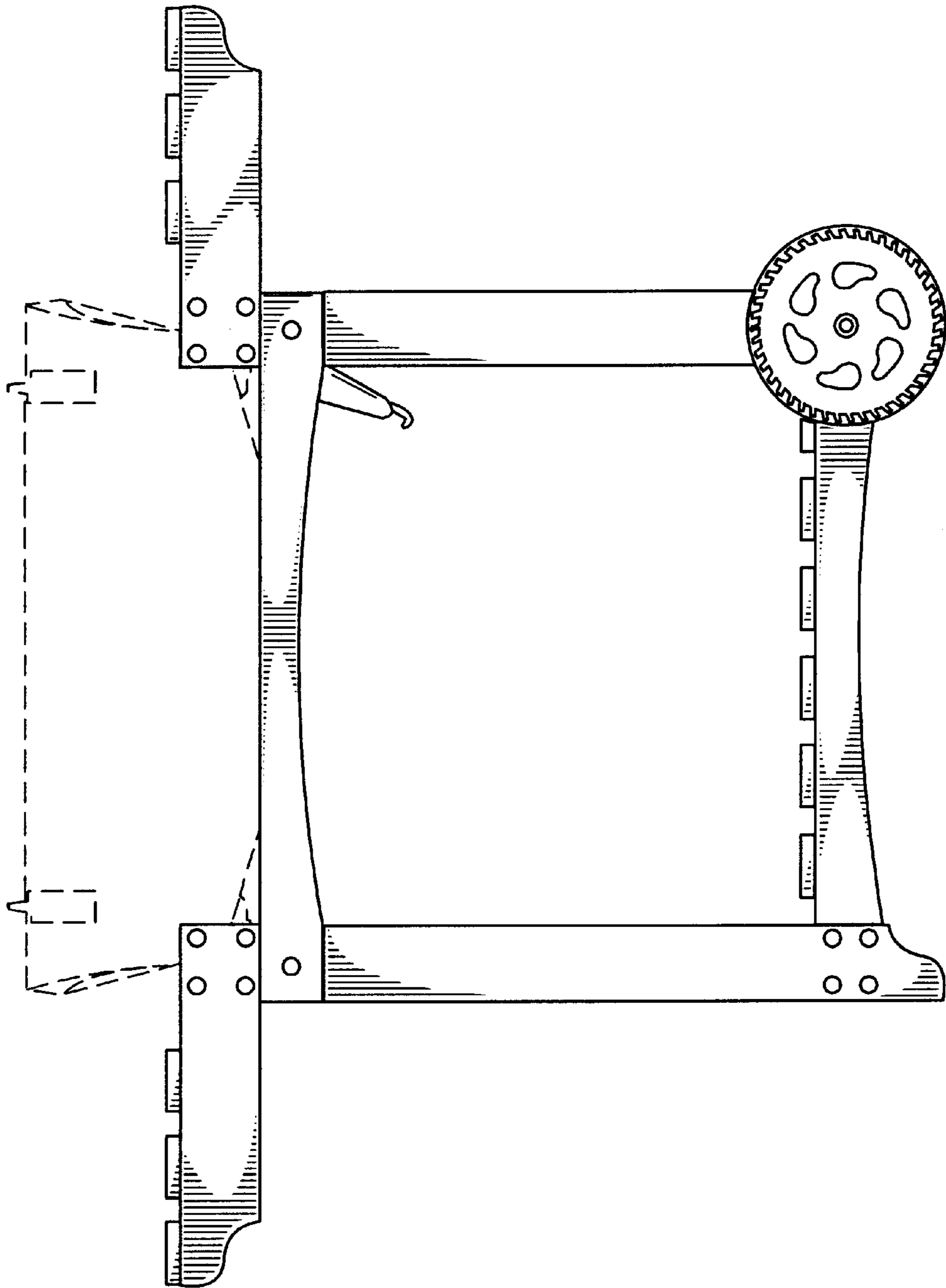


Fig. 5

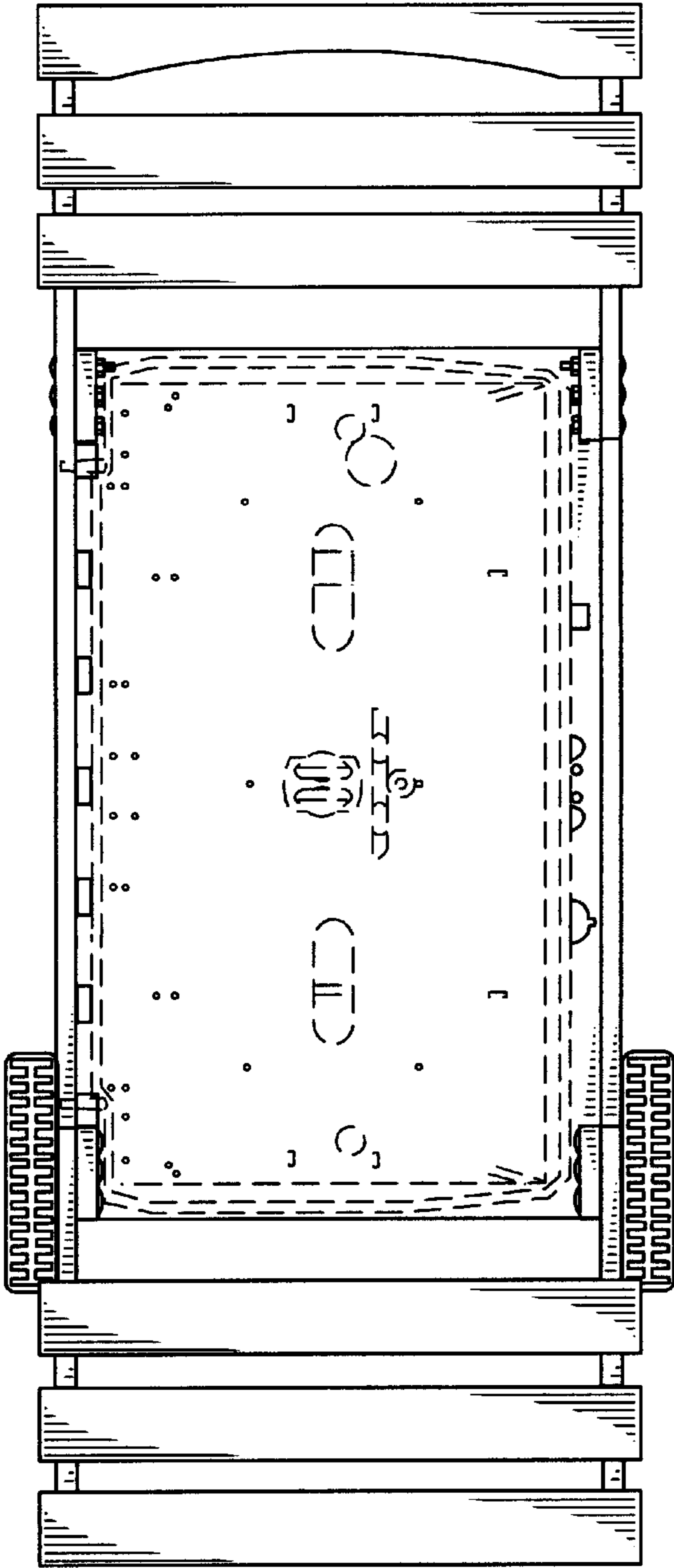


Fig. 6

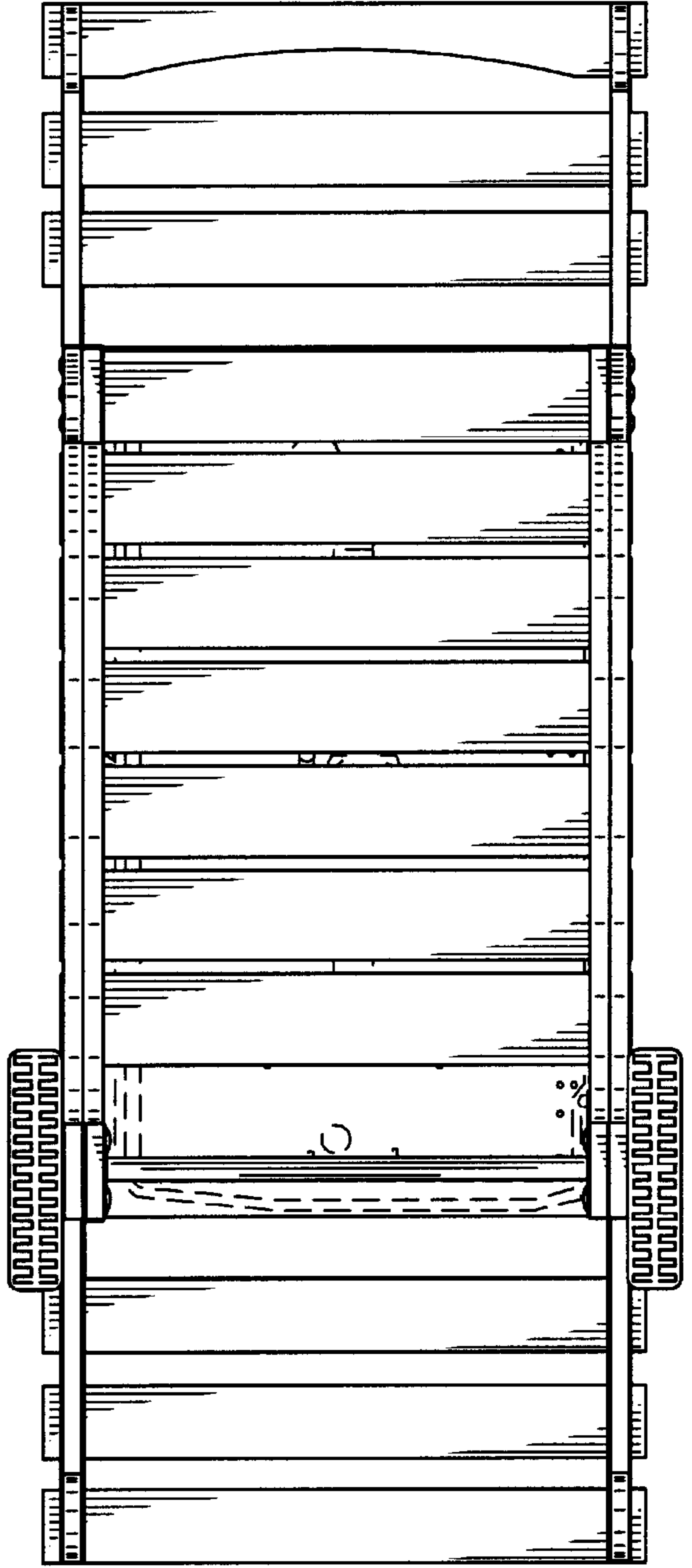


Fig. 7