



US00D448614B1

(12) **United States Design Patent**
Wagner

(10) **Patent No.:** **US D448,614 S**

(45) **Date of Patent:** **** Oct. 2, 2001**

(54) **LEFT SIDE SHELF FOR GRILL**

(75) **Inventor:** **Wesley J. Wagner**, Columbus, GA
(US)

(73) **Assignee:** **W. C. Bradley Company**, Columbus,
GA (US)

(**) **Term:** **14 Years**

(21) **Appl. No.:** **29/127,373**

(22) **Filed:** **Aug. 3, 2000**

(51) **LOC (7) Cl.** **07-02**

(52) **U.S. Cl.** **D7/402**

(58) **Field of Search** D7/332-337, 402-404,
D7/406; 126/31 R, 40, 50, 9 R, 25 R, 25 A,
25 AA, 29-30, 37 R, 38, 332

(56) **References Cited**

U.S. PATENT DOCUMENTS

- D. 377,734 * 2/1997 Bird et al. D7/402
- D. 377,735 * 2/1997 Craven D7/406
- D. 406,488 * 3/1999 Bates et al. D7/334
- D. 413,043 * 8/1999 Wagner et al. D7/406

- D. 413,229 * 8/1999 Hopkins et al. D7/406
- D. 416,441 * 11/1999 Wagner et al. D7/406
- D. 417,588 * 12/1999 Wagner et al. D7/406
- D. 435,396 * 12/2000 Wagner D7/402
- D. 436,004 * 1/2001 Wagner D7/402

* cited by examiner

Primary Examiner—Ruth McInroy

(74) *Attorney, Agent, or Firm*—James W. Kayden; Thomas,
Kayden, Horstemeyer & Risley

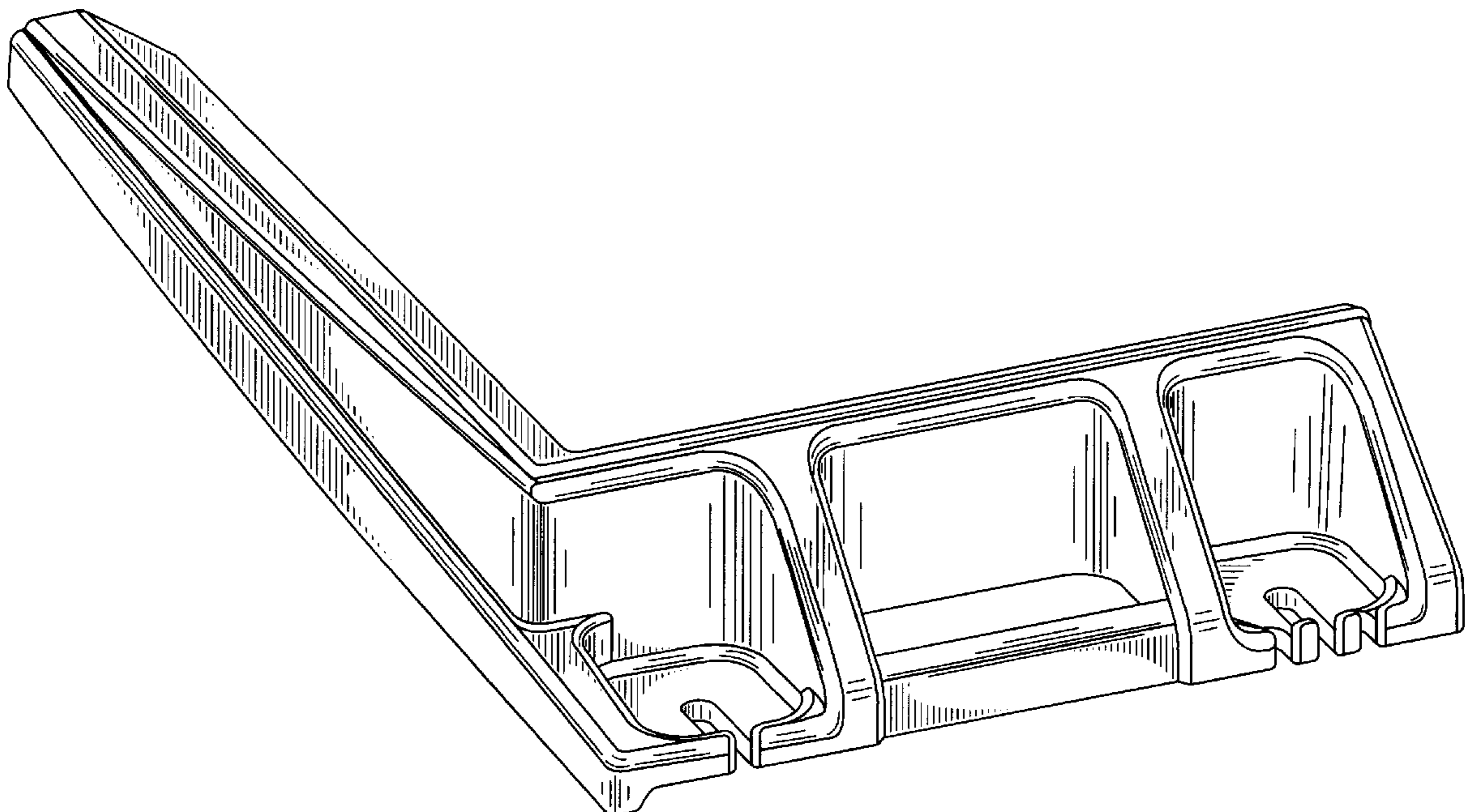
(57) **CLAIM**

The ornamental design for a left side shelf for grill, as shown and described.

DESCRIPTION

FIG. 1 is a perspective view showing my new left side shelf for grill;
 FIG. 2 is a top plan view thereof;
 FIG. 3 is a right side elevational view thereof;
 FIG. 4 is a left side elevational view thereof;
 FIG. 5 is a bottom plan view thereof;
 FIG. 6 is a rear elevation view thereof; and,
 FIG. 7 is a front elevational view thereof.

1 Claim, 5 Drawing Sheets



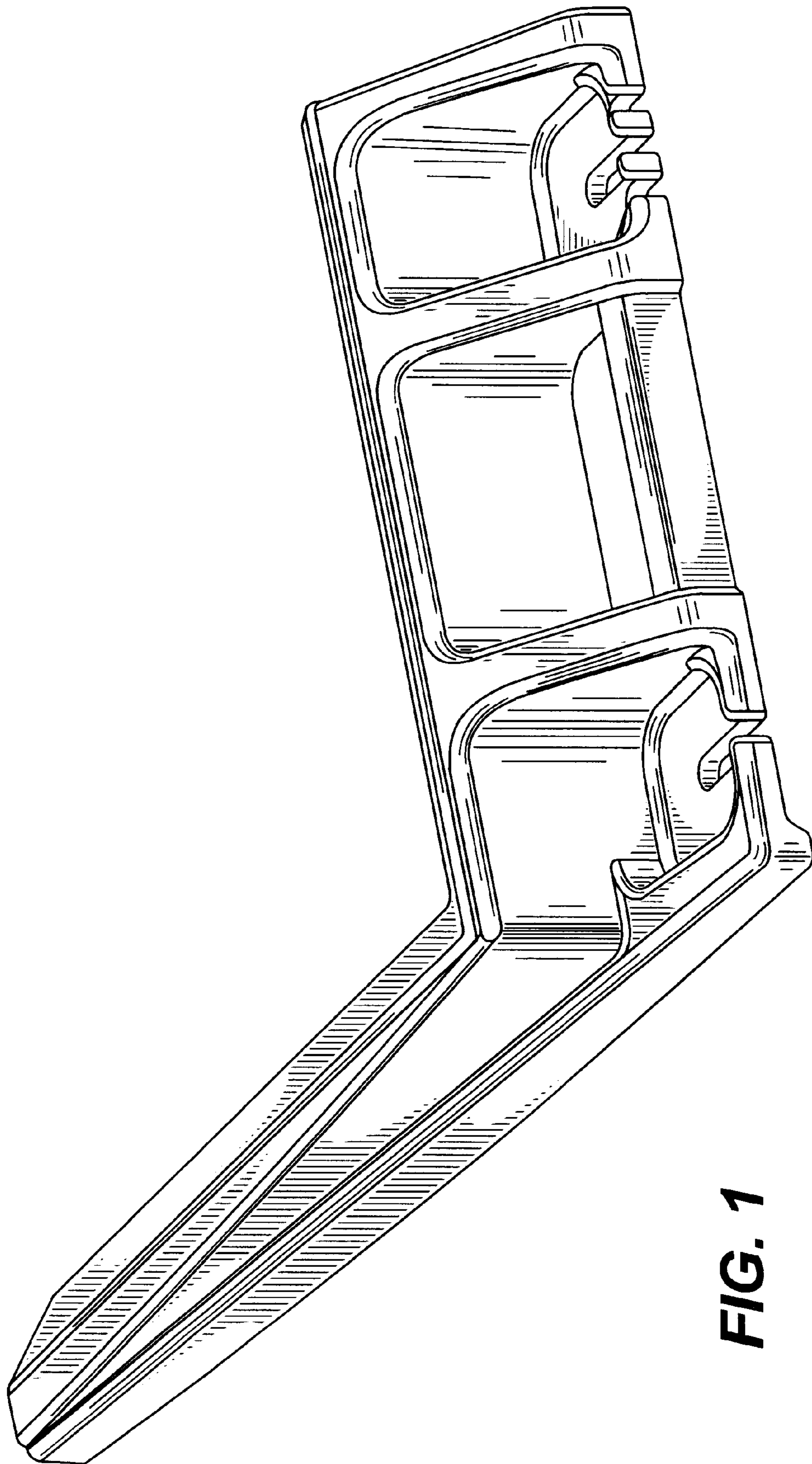


FIG. 1

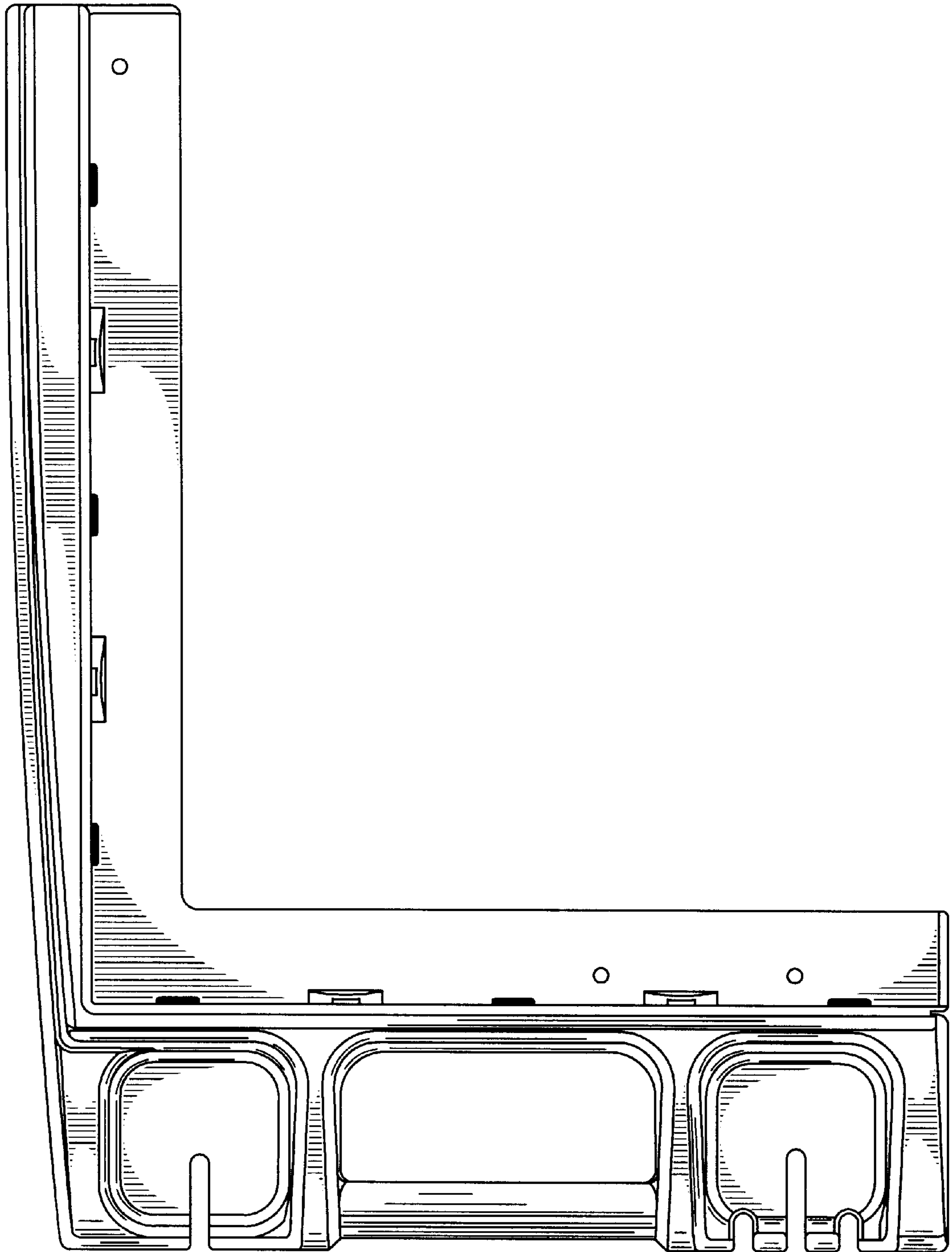


FIG. 2

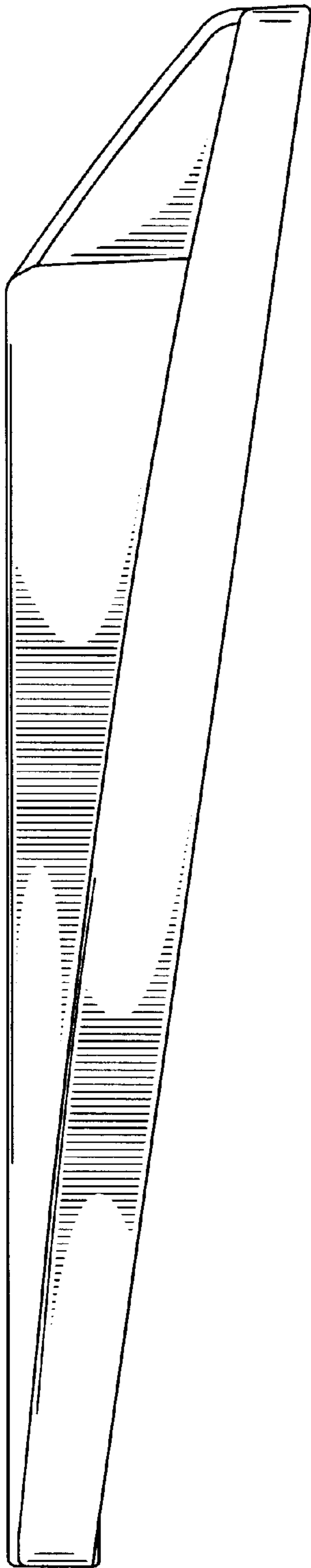


FIG. 3

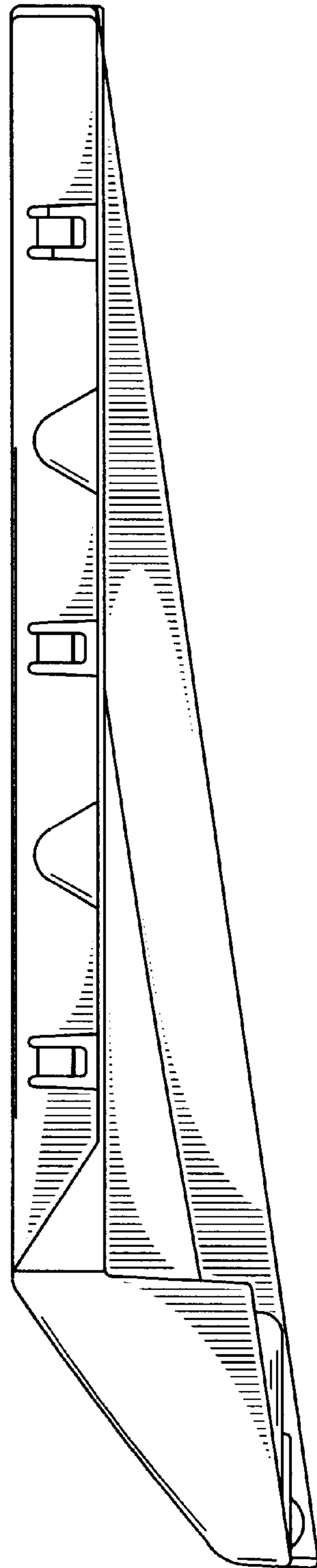


FIG. 4

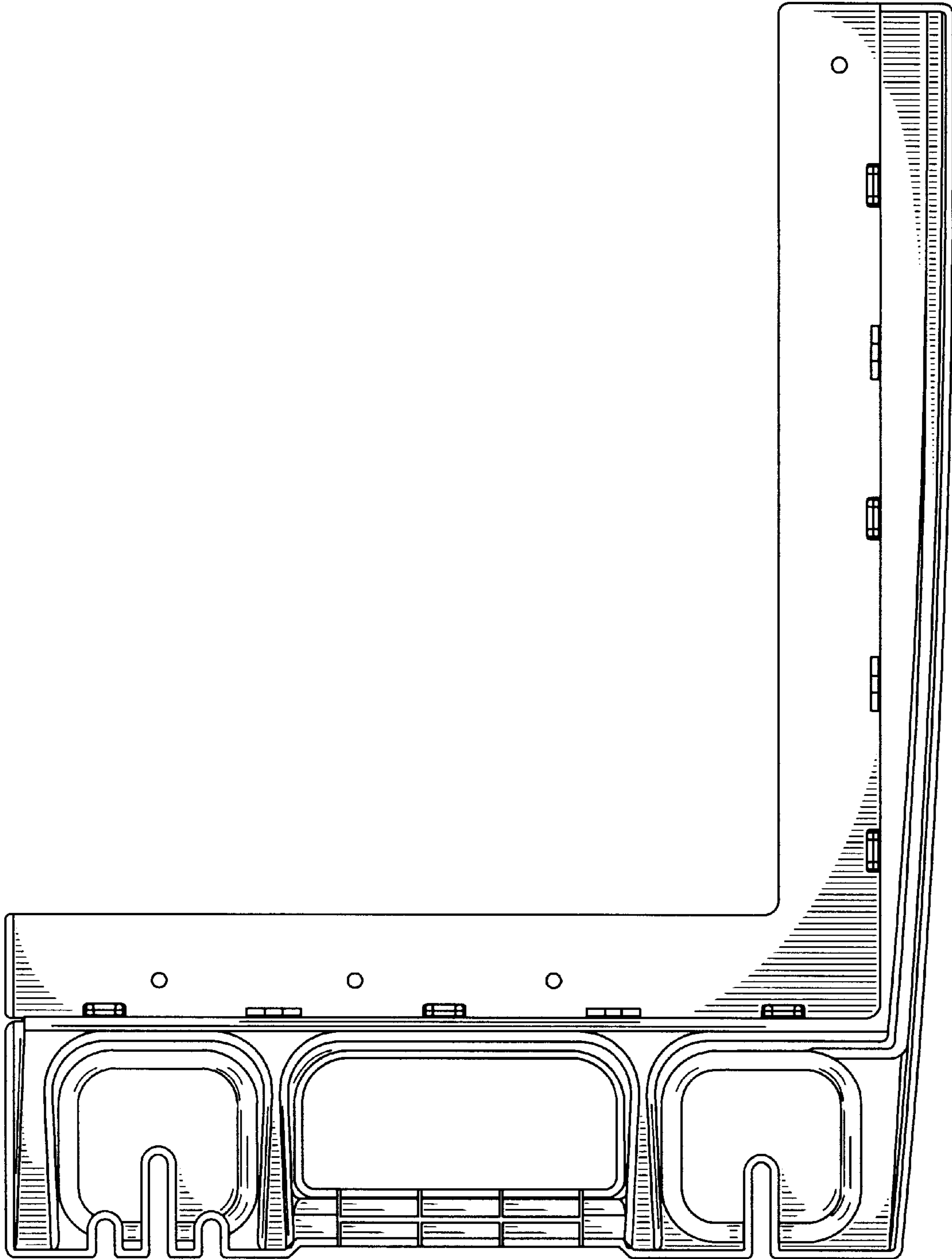


FIG. 5

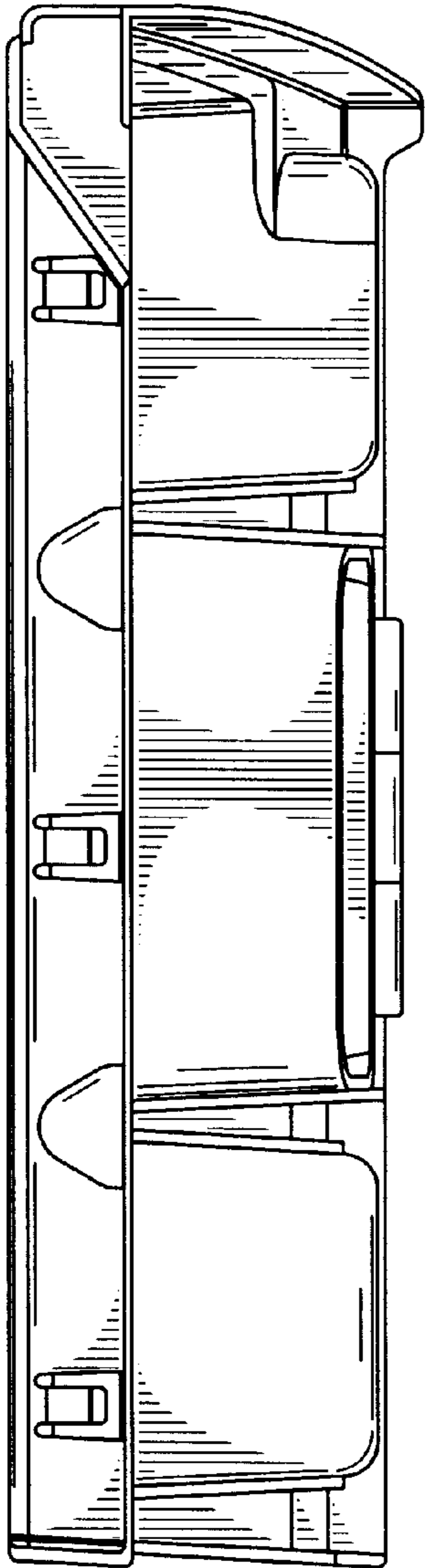


FIG. 6

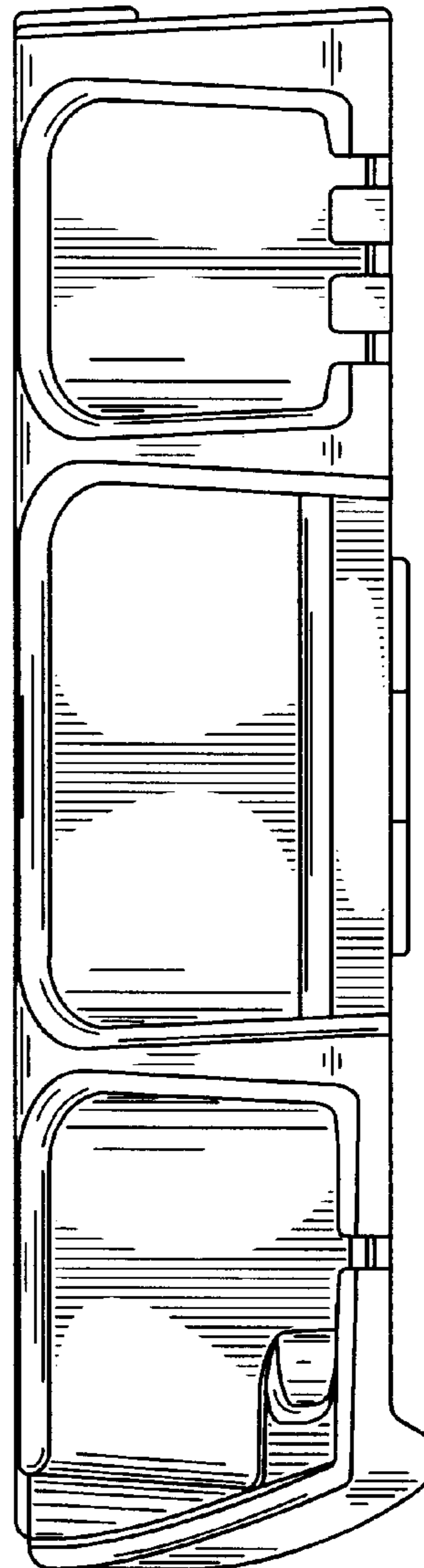


FIG. 7