



US00D448613B1

(12) **United States Design Patent**
Casey

(10) **Patent No.:** **US D448,613 S**

(45) **Date of Patent:** **** Oct. 2, 2001**

(54) **FRYER LIFTING LID**

(75) Inventor: **William M. Casey**, Kettering, OH (US)

(73) Assignee: **Henny Penny Corporation**, Eaton, OH (US)

(**) Term: **14 Years**

(21) Appl. No.: **29/123,139**

(22) Filed: **May 12, 2000**

(51) **LOC (7) Cl.** **07-02**

(52) **U.S. Cl.** **D7/402; D7/339**

(58) **Field of Search** D7/339, 347, 402; 99/403, 407, 408, 410, 415, 336; 220/316, 318; 219/437, 439

(56) **References Cited**

U.S. PATENT DOCUMENTS

D. 180,431	*	6/1957	Wagner	D7/339
D. 215,383	*	9/1969	Moore et al.	D7/339
D. 218,498	*	8/1970	Wilson et al.	D7/339
D. 263,305	*	3/1982	Barnhill	D7/347
D. 335,420	*	5/1993	Moore	D7/339
D. 418,366	*	1/2000	King	D7/402
3,938,498	*	2/1976	Price	219/437
3,971,307	*	7/1976	Graham	219/437

4,325,491	*	4/1982	Barnhill	220/316
4,997,101	*	3/1991	King et al.	220/318

* cited by examiner

Primary Examiner—Robert M. Spear

(74) *Attorney, Agent, or Firm*—Baker Botts L.L.P.

(57) **CLAIM**

The ornamental design for a fryer lifting lid, as shown and described.

DESCRIPTION

FIG. 1 is a perspective view of a fryer lifting lid including a guiding monorail and an arched monorail support, in a lowered position, according to my design.

FIG. 2 is a right side elevation view of a fryer lifting lid, as shown in FIG. 1.

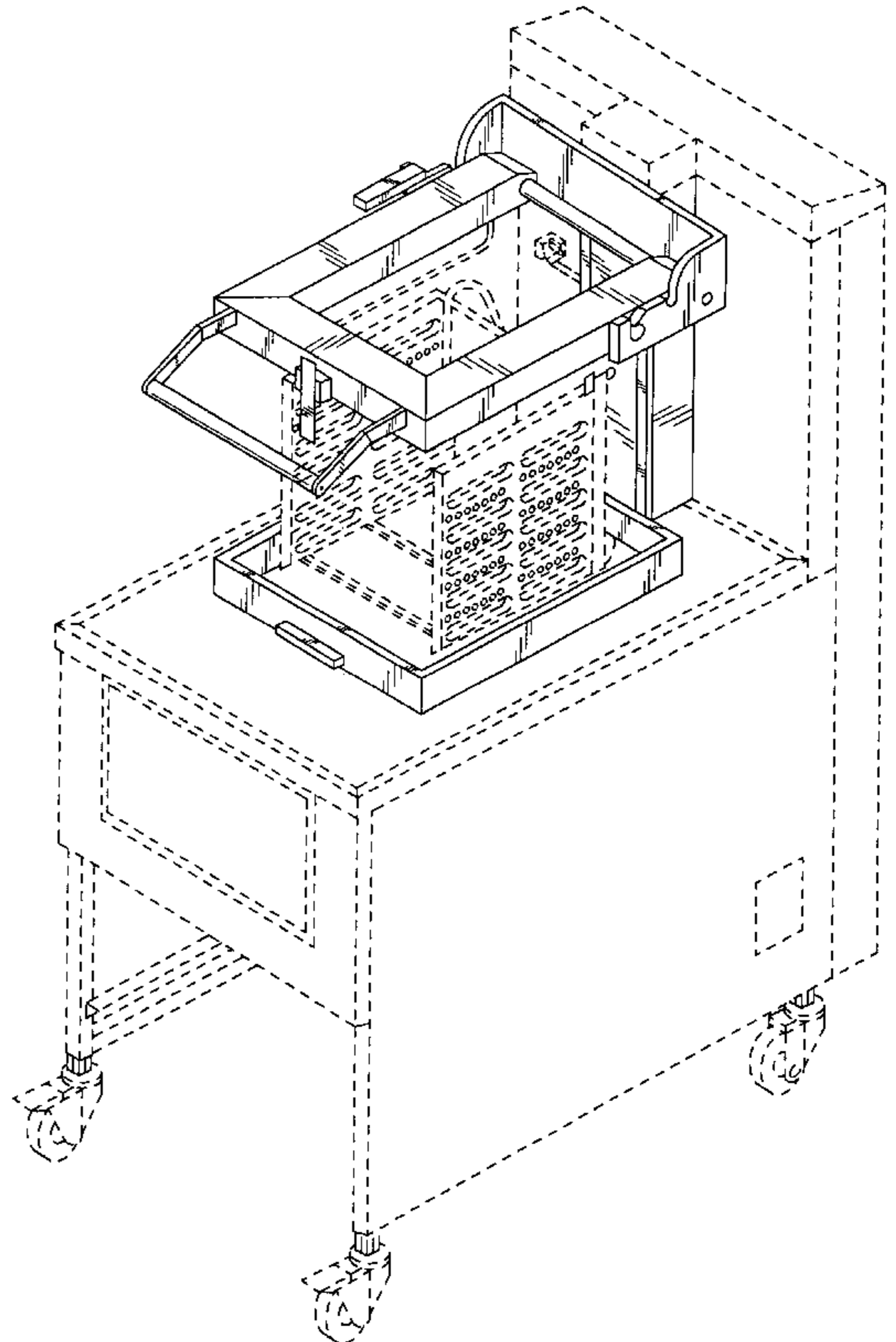
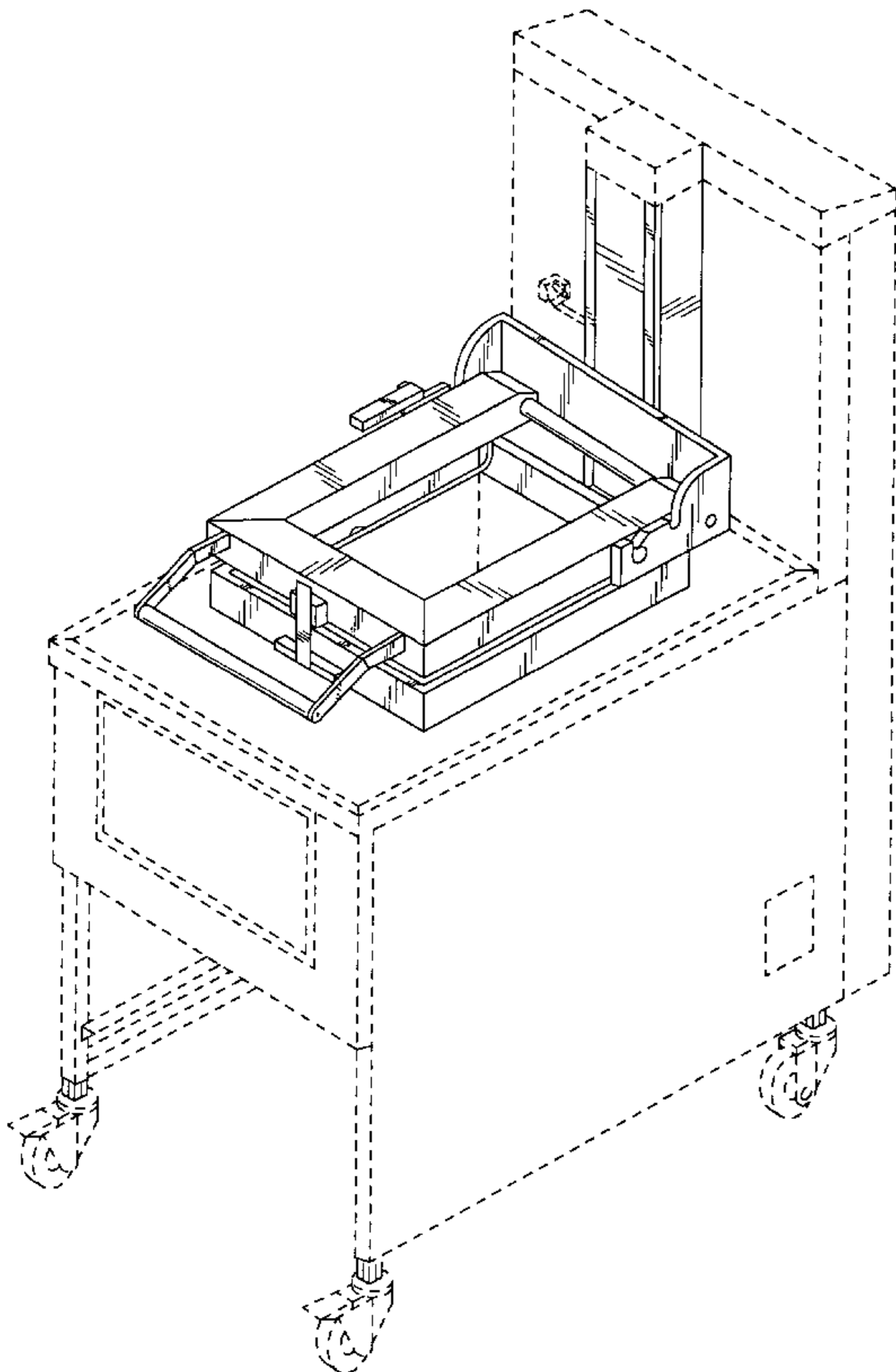
FIG. 3 is a left side elevation view of a fryer lifting lid, as shown in FIG. 1.

FIG. 4 is a front elevation view of a fryer lifting lid, as shown in FIG. 1.

FIG. 5 is a top plan view of a fryer lifting lid, as shown in FIG. 1; and,

FIG. 6 is a perspective view of a fryer lifting lid including a lid base, a guiding monorail, and an arched monorail support, in a raised position, according to my design.

1 Claim, 3 Drawing Sheets



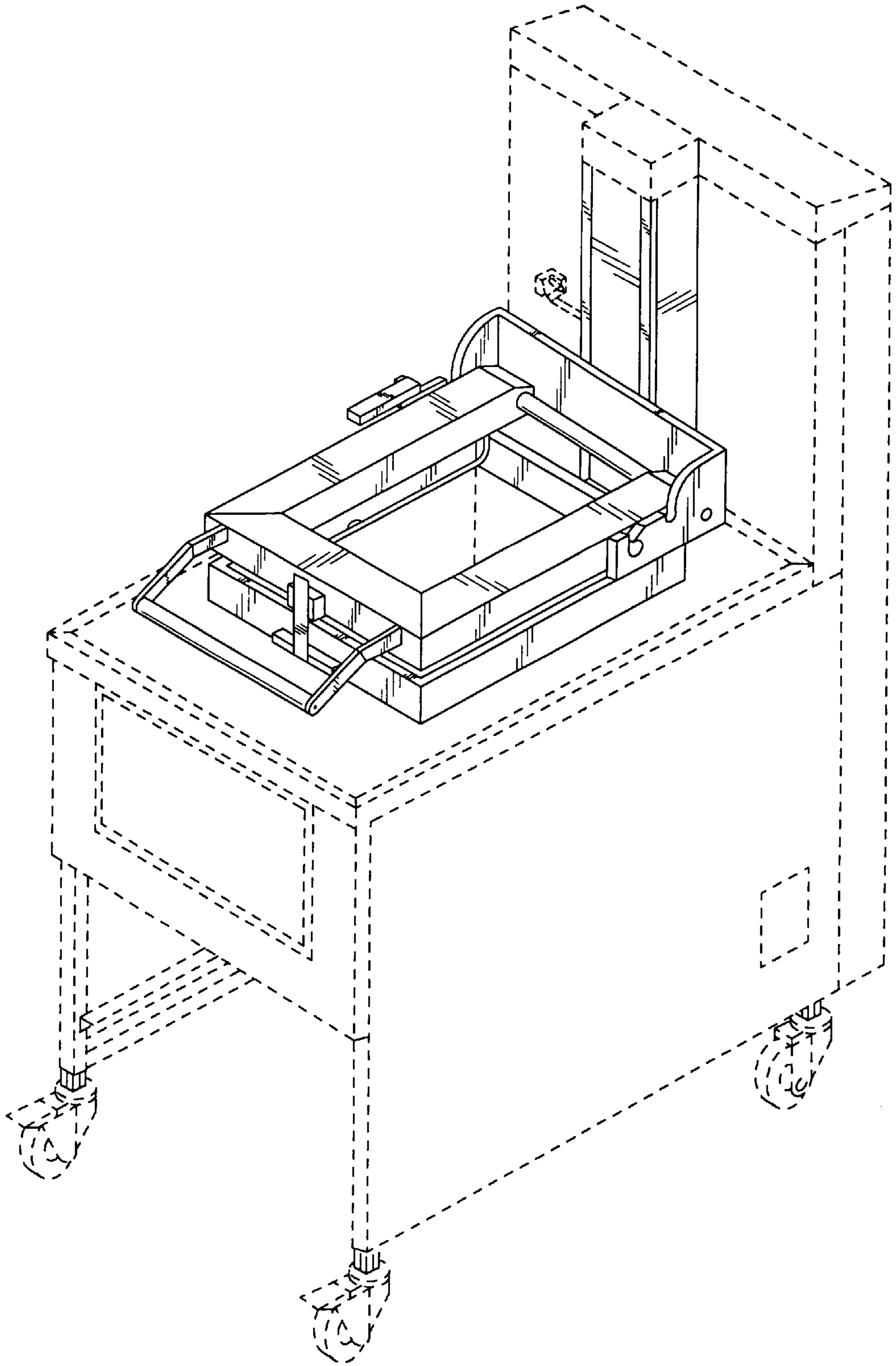


FIG. 1

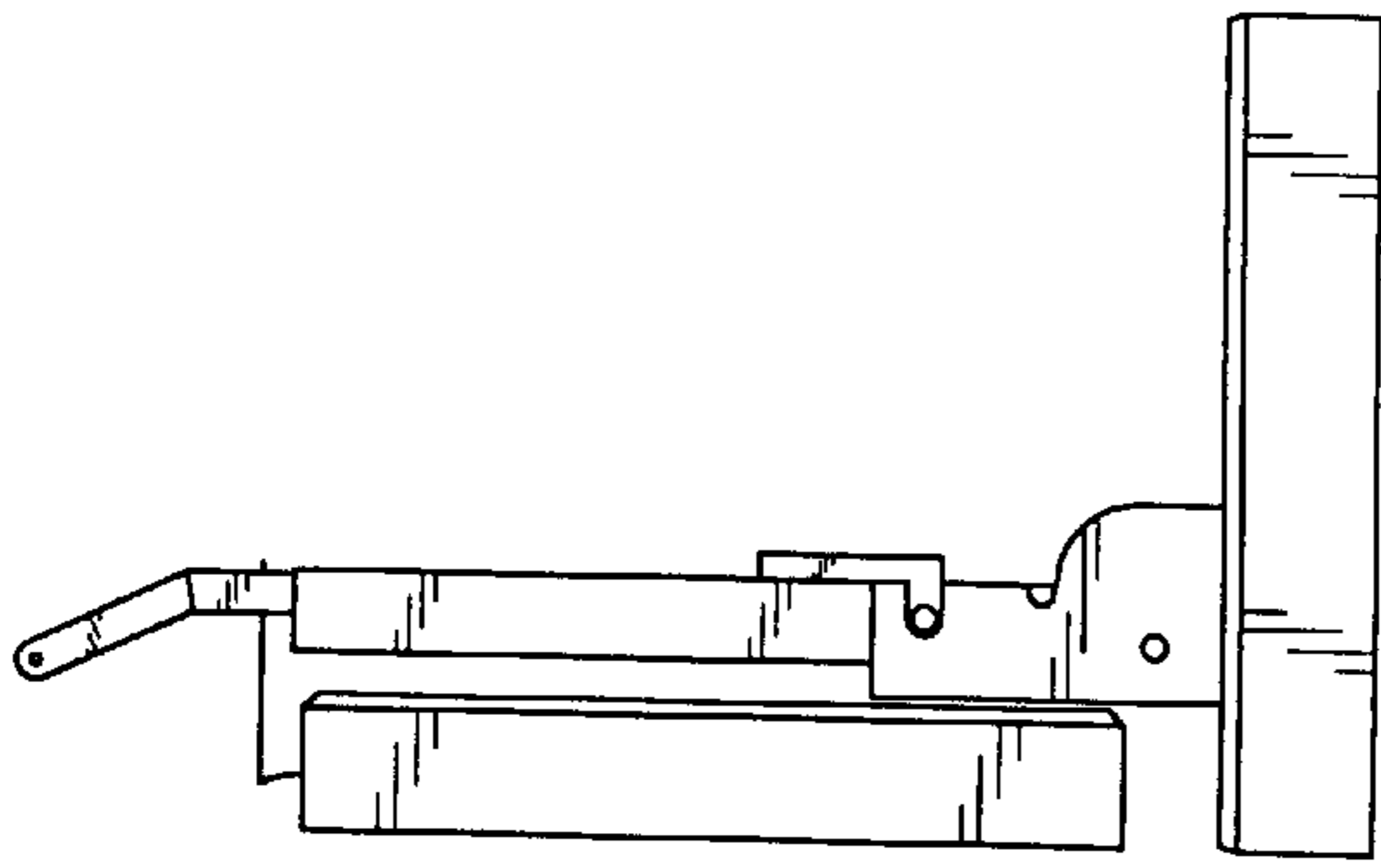


FIG. 2

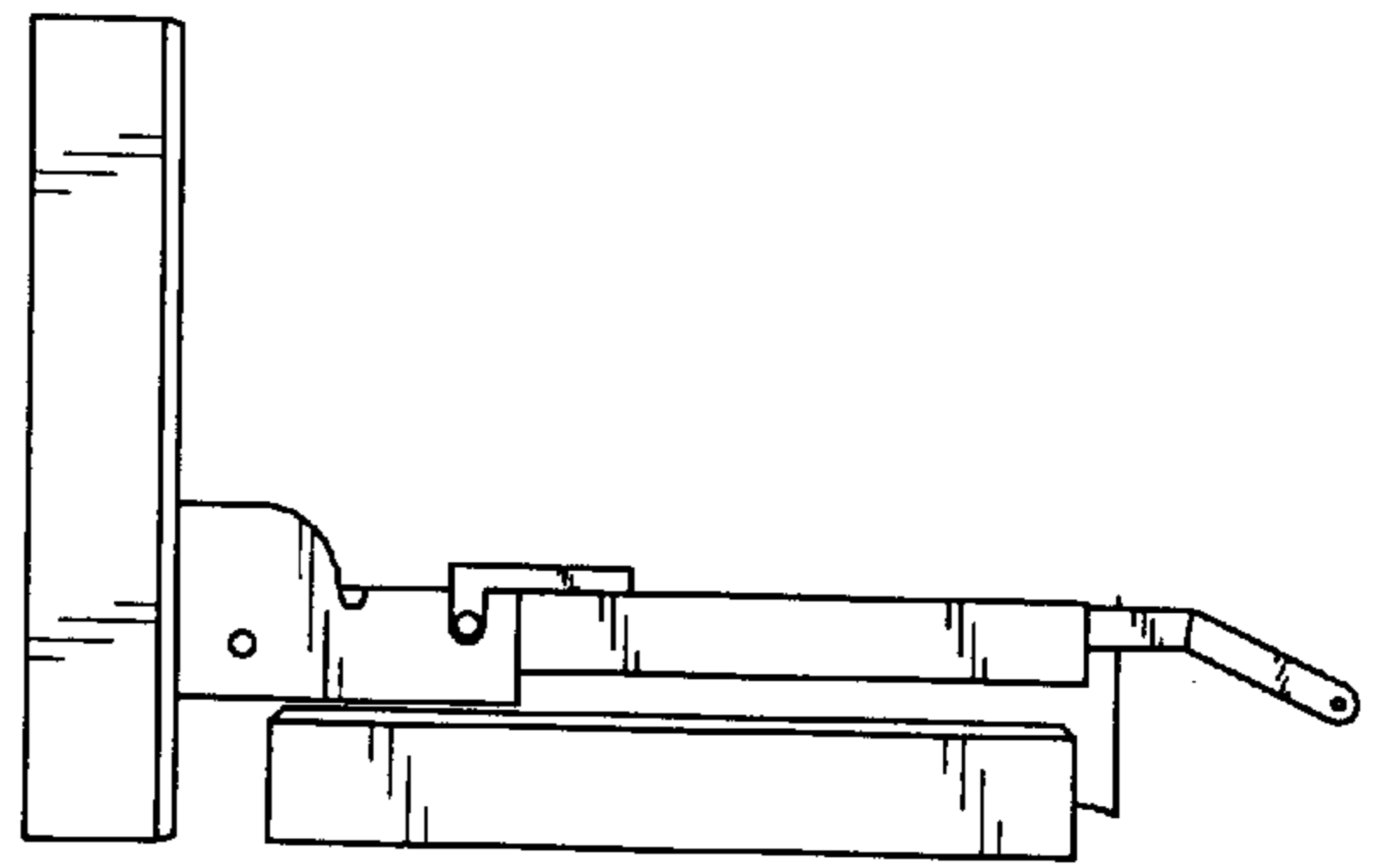


FIG. 3

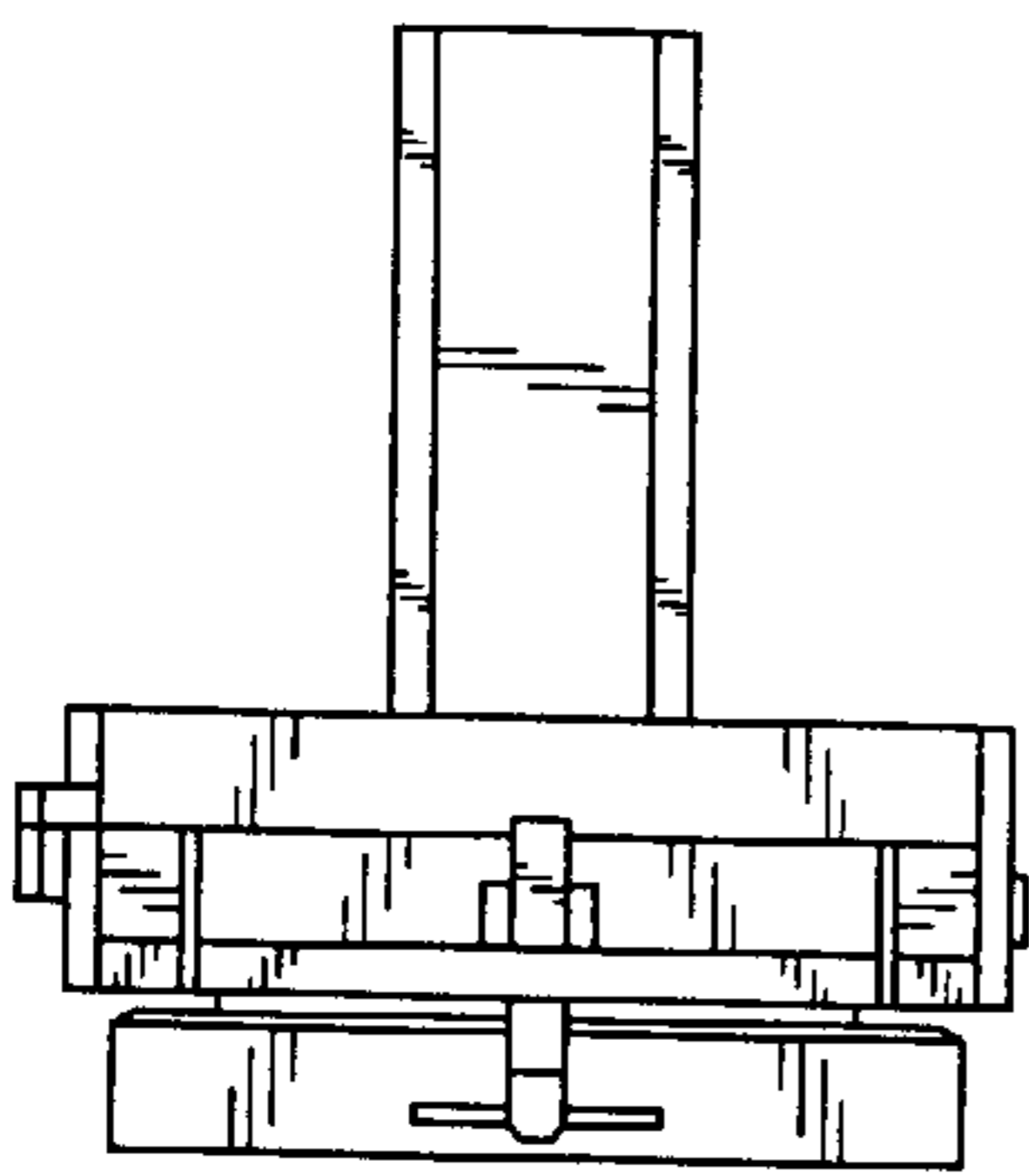


FIG. 4

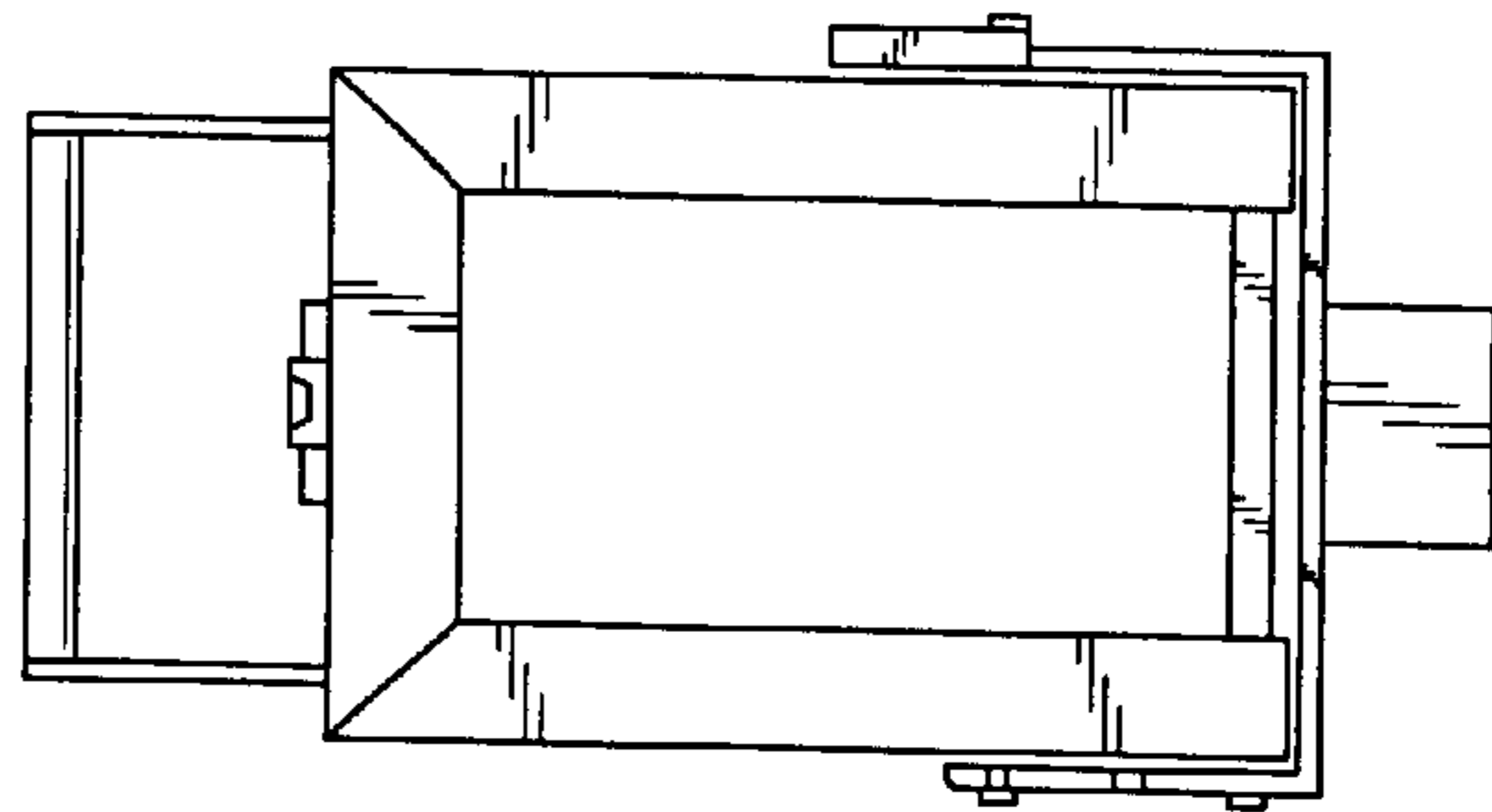


FIG. 5

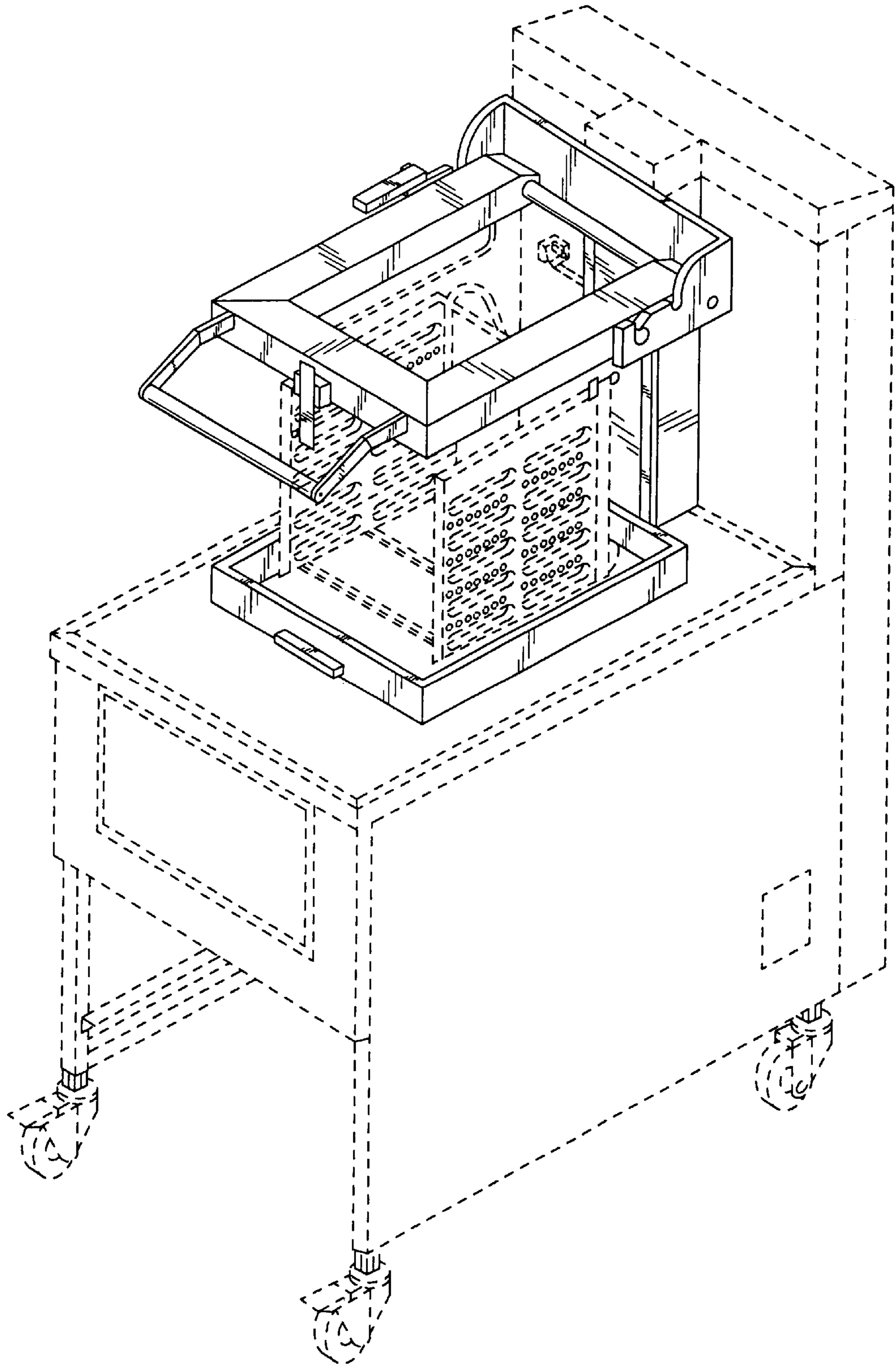


FIG. 6