



US00D448607B1

(12) **United States Design Patent**
Munari

(10) **Patent No.:** **US D448,607 S**

(45) **Date of Patent:** **** Oct. 2, 2001**

(54) **PAN HANDLE**

(76) **Inventor:** **Marco Munari**, 29 Via della Pravetta,
21010 Cardano Al Campo (Varese) (IT)

(**) **Term:** **14 Years**

(21) **Appl. No.:** **29/126,530**

(22) **Filed:** **Jul. 14, 2000**

(30) **Foreign Application Priority Data**

Jan. 14, 2000 (XH) DM/050 759

(51) **LOC (7) Cl.** **07-02**

(52) **U.S. Cl.** **D7/393**

(58) **Field of Search** D7/393-395, 360,
D7/361; 16/110.1, 425, 430, DIG. 18, DIG. 19;
220/513.1, 752, 753

(56) **References Cited**

U.S. PATENT DOCUMENTS

D. 229,656 * 12/1973 Roaster D7/360 X

D. 267,388 * 12/1982 Spoeth et al. D7/360

D. 374,373 * 10/1996 Ito D7/360

2,096,873 * 10/1937 Barnes D7/360 X

4,491,235 * 1/1985 Fournier et al. 220/753

* cited by examiner

Primary Examiner—Terry A. Wallace

(74) *Attorney, Agent, or Firm*—Steinberg & Raskin, P.C.

(57) **CLAIM**

I claim the original, ornamental design for a pan handle, as shown.

DESCRIPTION

FIG. 1 is a perspective view of a pan handle

FIG. 2 is a top view thereof;

FIG. 3 is a right side view thereof;

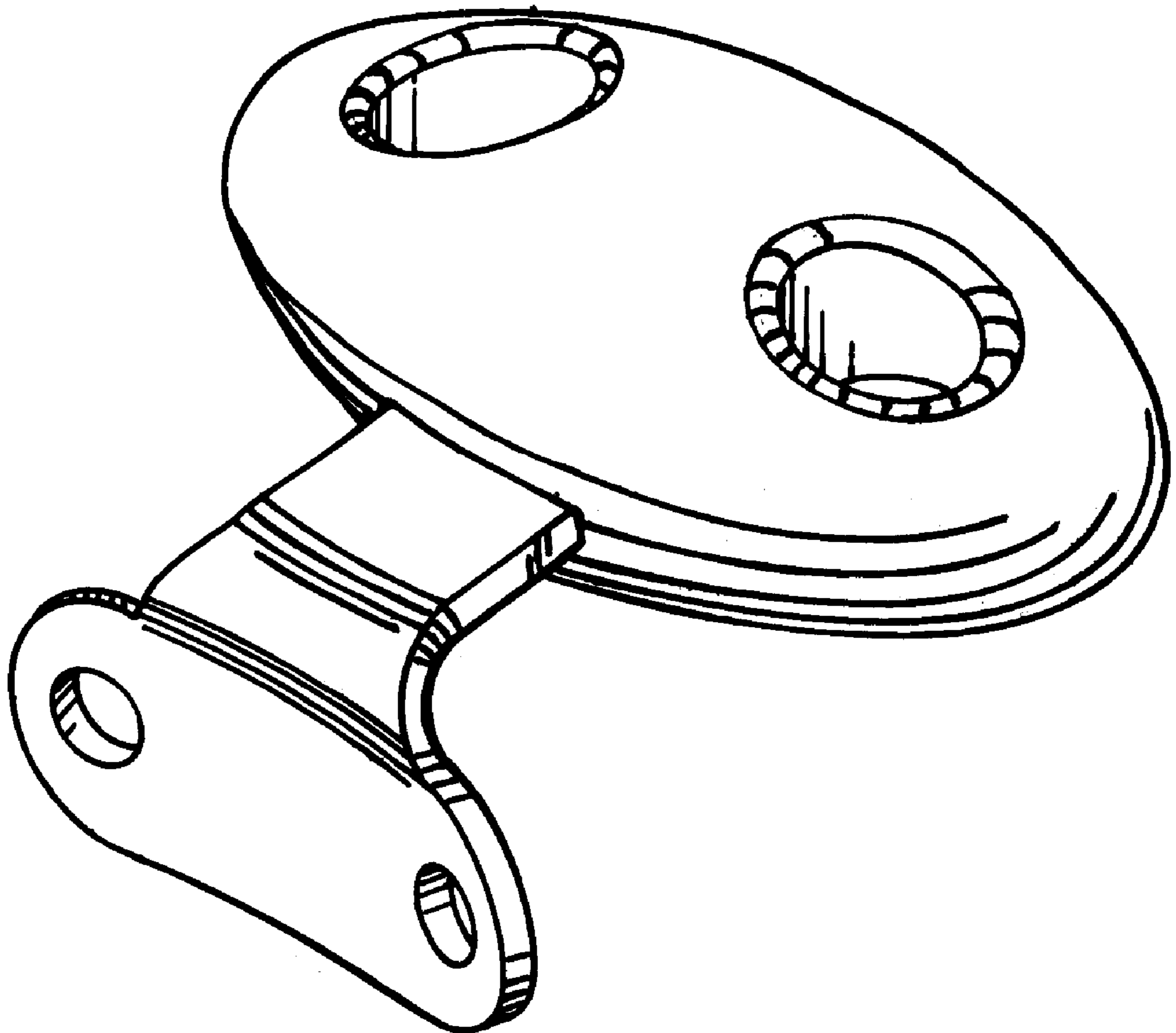
FIG. 4 is a left side view thereof;

FIG. 5 is a bottom view thereof;

FIG. 6 is a front view thereof; and,

FIG. 7 is a rear view thereof.

1 Claim, 2 Drawing Sheets



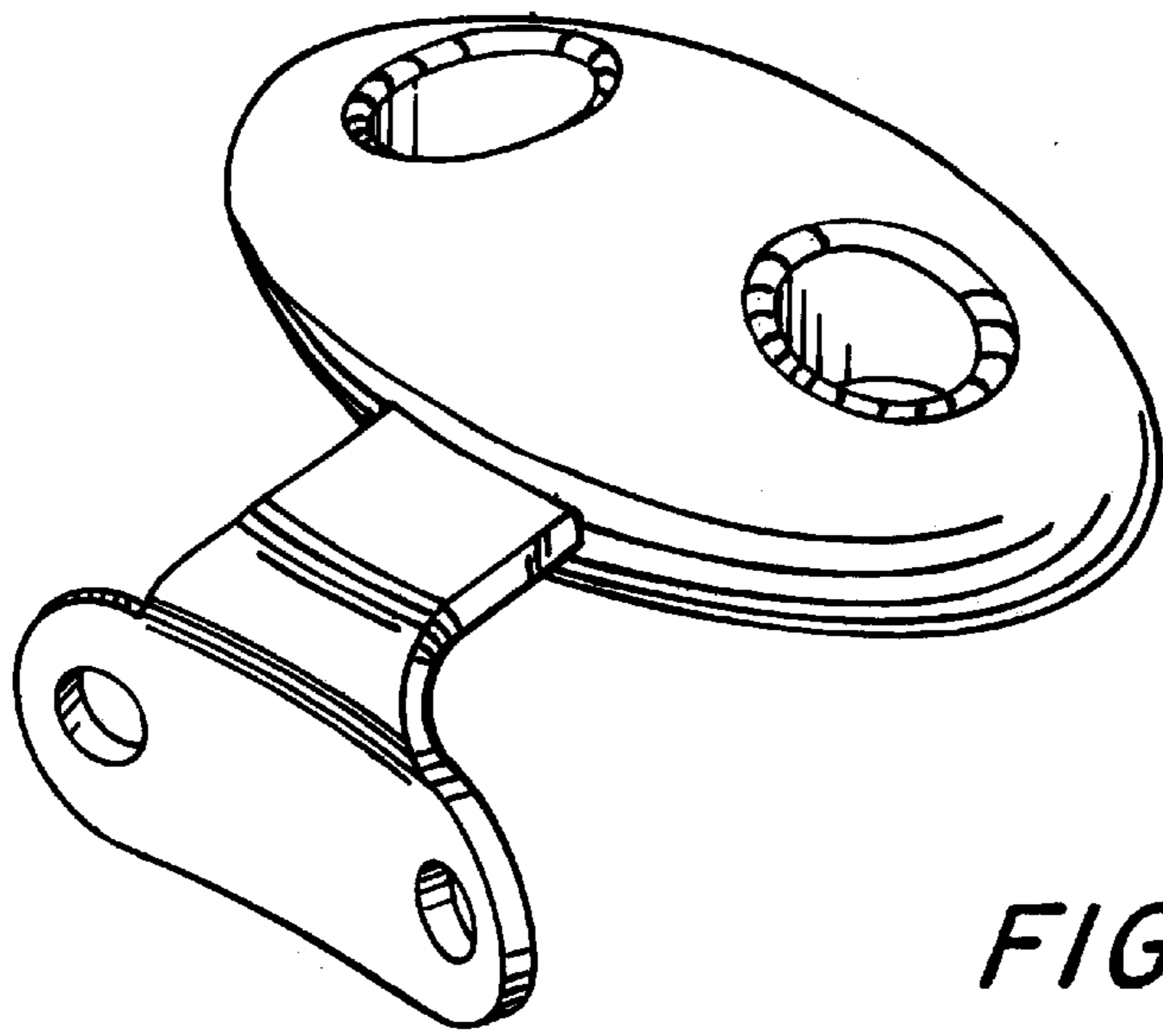


FIG. 1

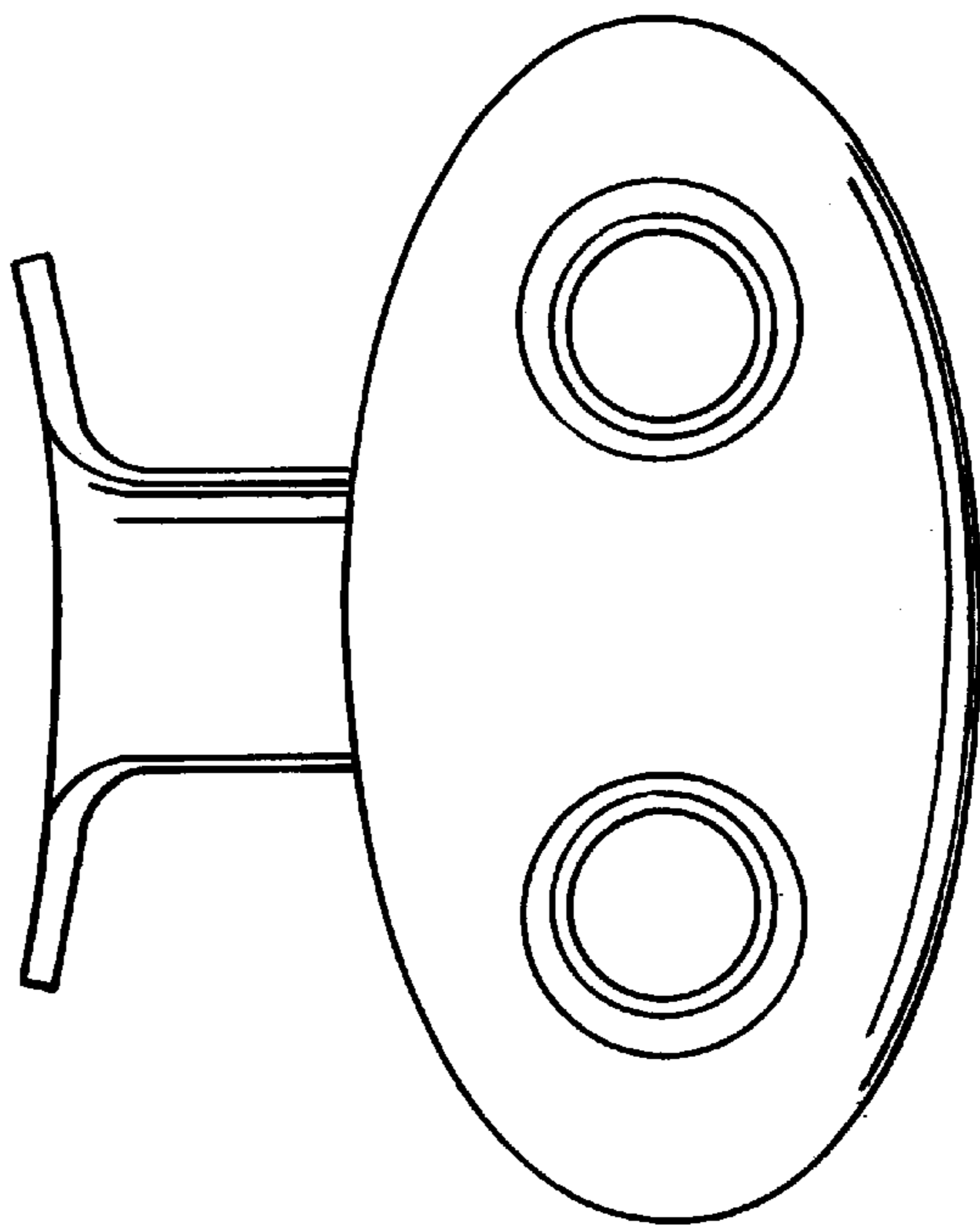


FIG. 2

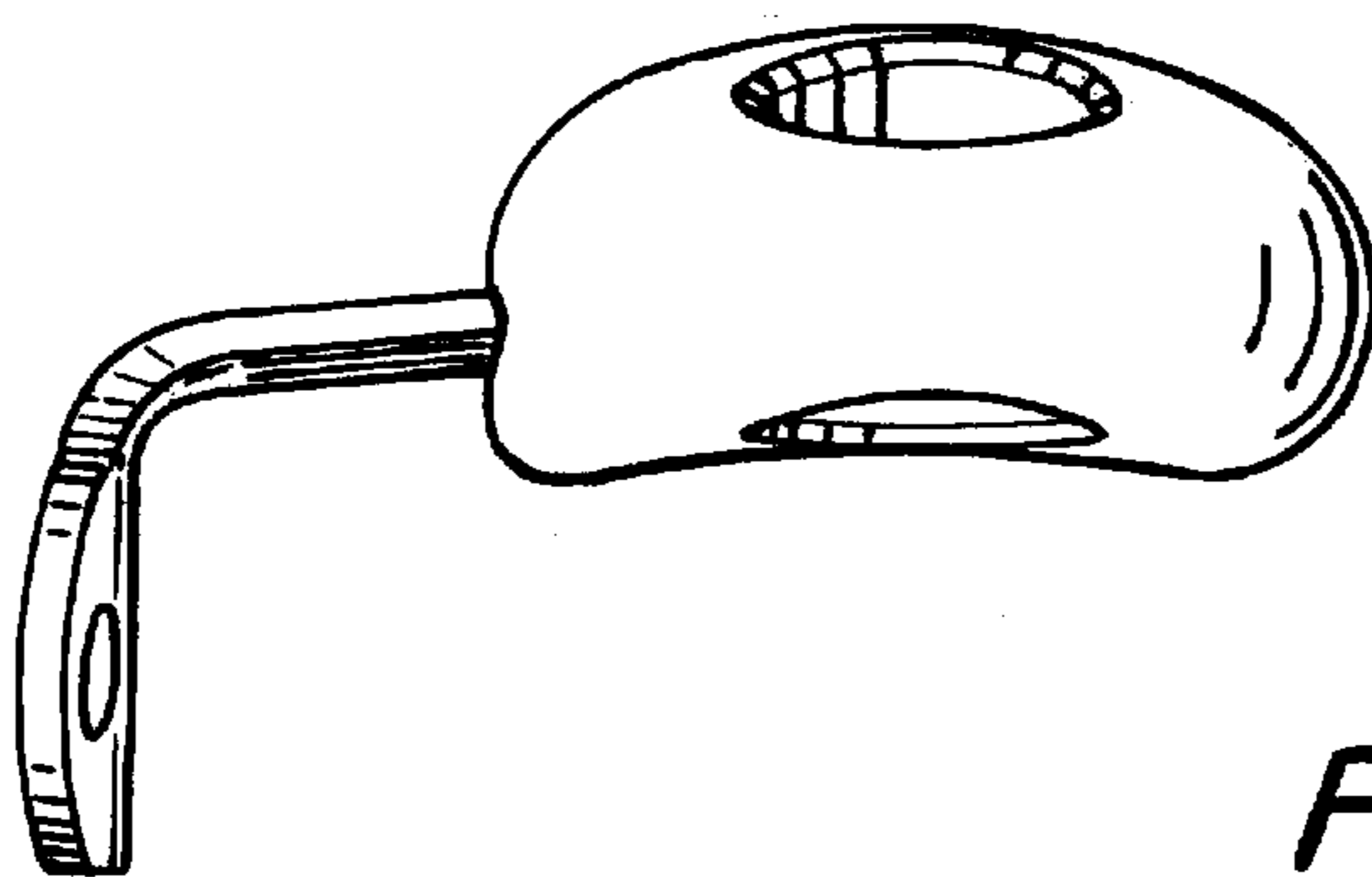


FIG. 3

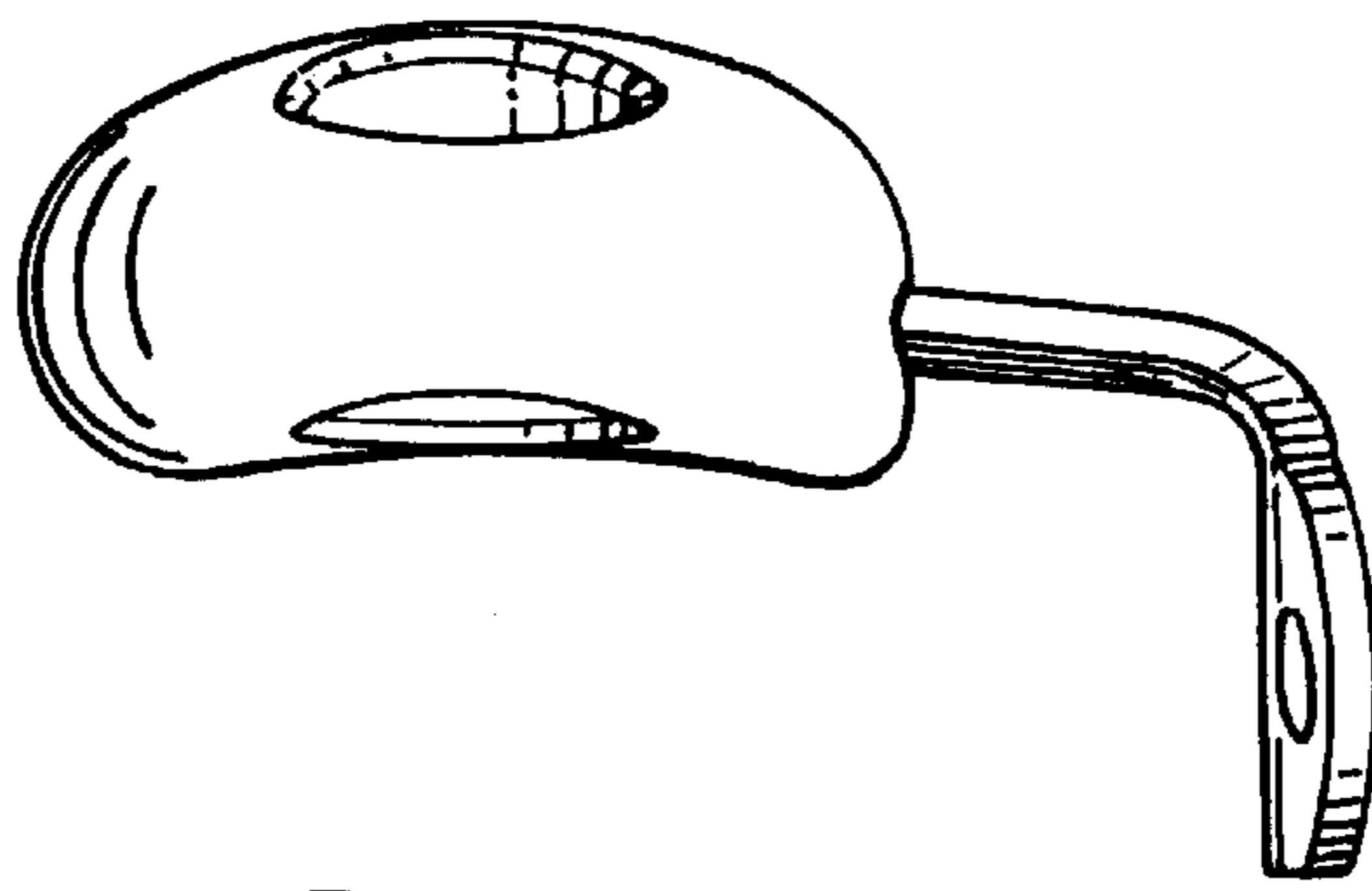


FIG. 4

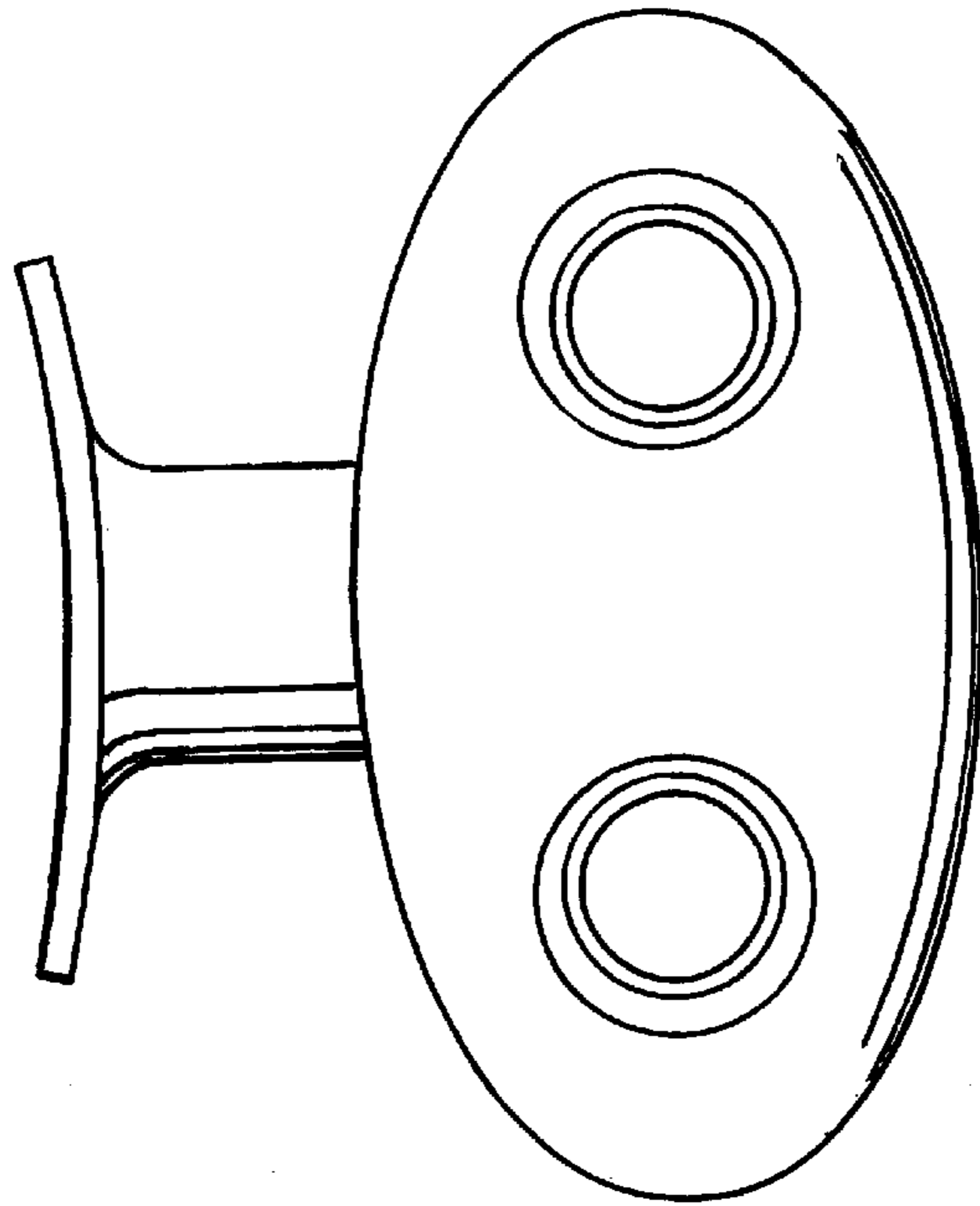


FIG. 5

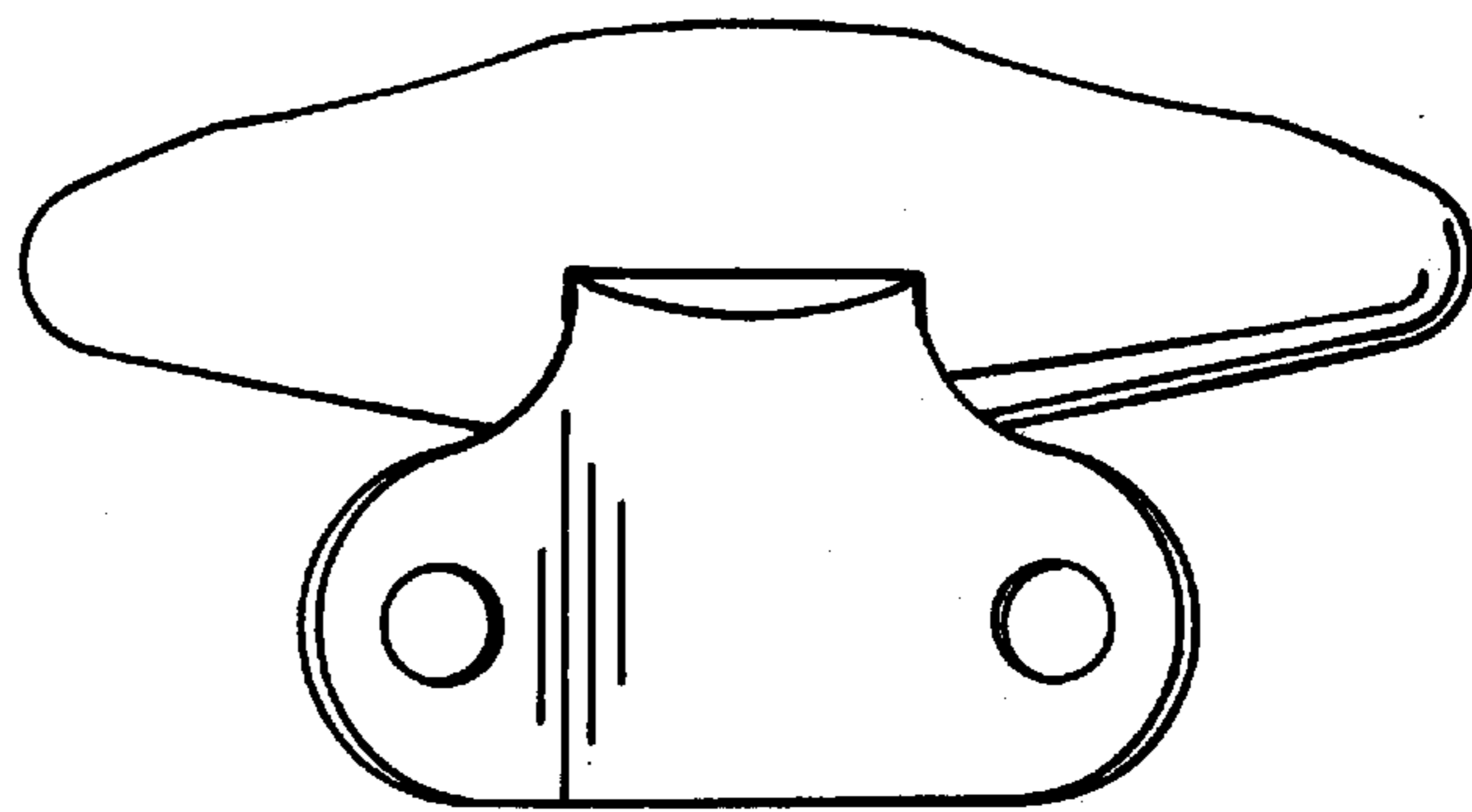


FIG. 6

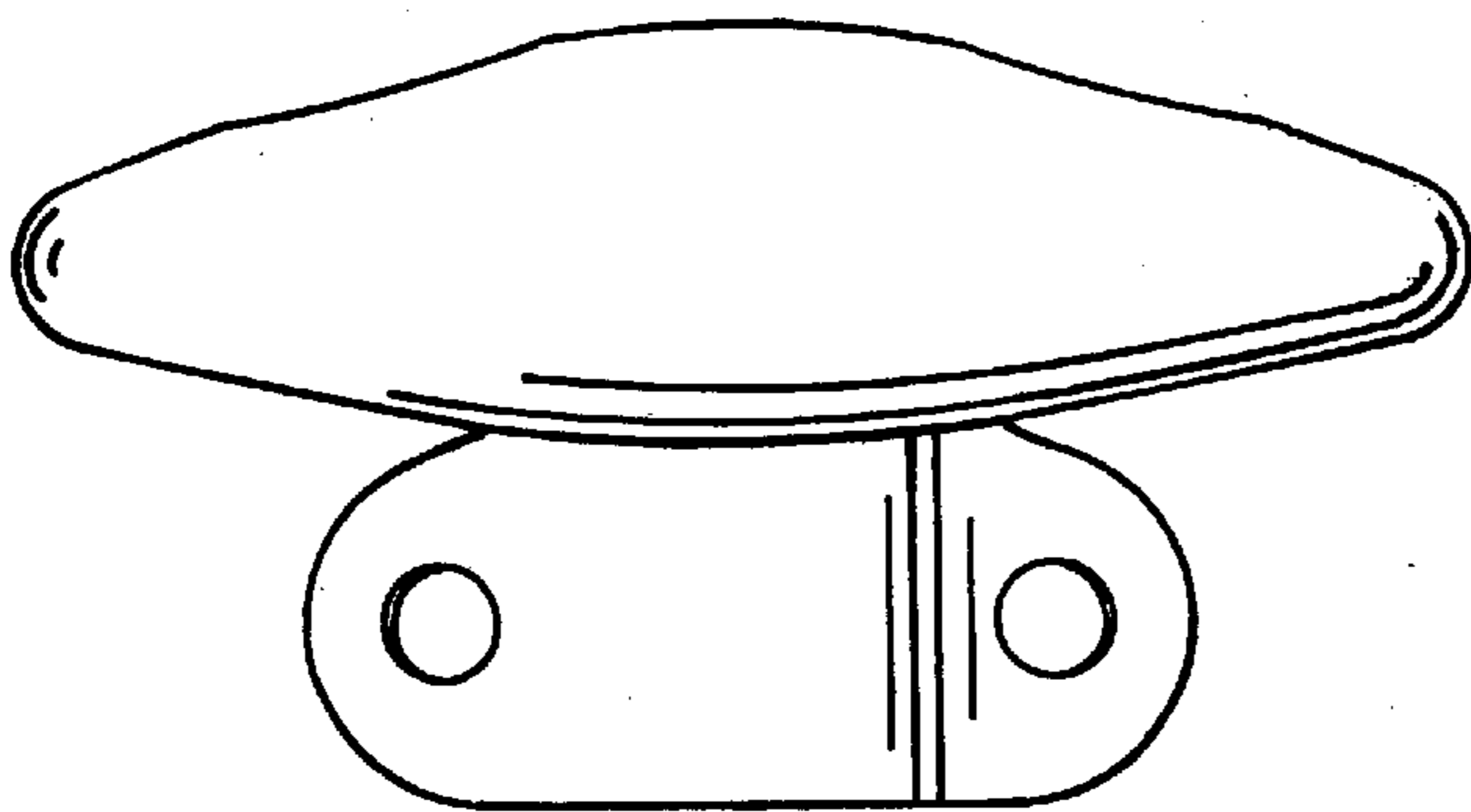


FIG. 7

UNITED STATES PATENT AND TRADEMARK OFFICE
CERTIFICATE OF CORRECTION

PATENT NO. : Des 448,607 S
DATED : October 2, 2001
INVENTOR(S) : Marco Munari

Page 1 of 1

It is certified that error appears in the above-identified patent and that said Letters Patent is hereby corrected as shown below:

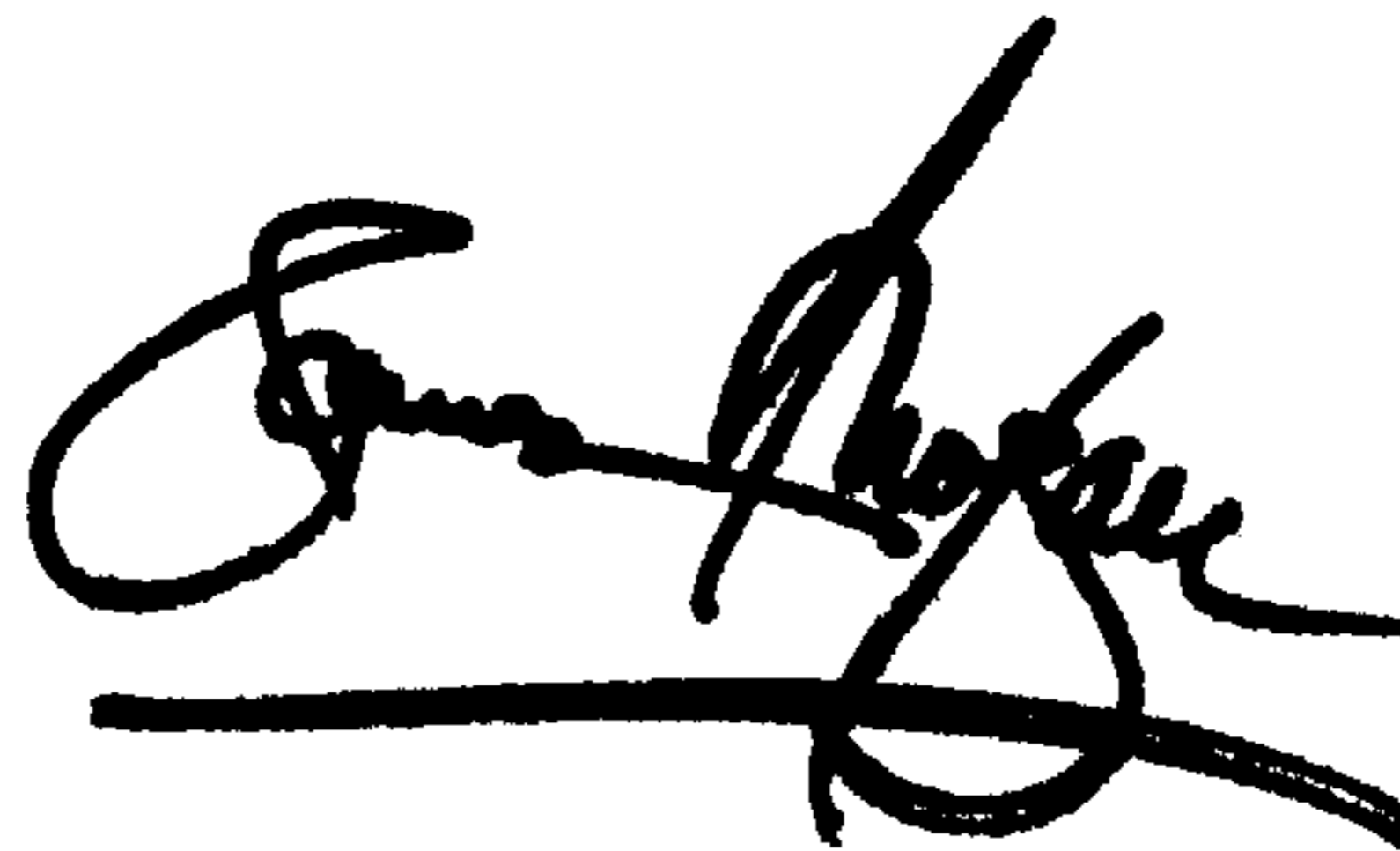
Title Page,
Item [73], insert the following:

-- [73] Assignee: **La Termoplastico F.B.M. S.R.L.**, Varese, (IT) --.

Signed and Sealed this

Ninth Day of July, 2002

Attest:

A handwritten signature in black ink, appearing to read "James E. Rogan", with a horizontal line underneath it.

Attesting Officer

JAMES E. ROGAN
Director of the United States Patent and Trademark Office