



US00D448606B1

(12) **United States Design Patent**
Conti

(10) **Patent No.:** **US D448,606 S**

(45) **Date of Patent:** **** Oct. 2, 2001**

(54) **LID FOR A CONTAINER**

(75) Inventor: **Rino Conti**, Stoughton, MA (US)

(73) Assignee: **Holiday Housewares, Inc.**, Leominster, MA (US)

(**) Term: **14 Years**

(21) Appl. No.: **29/125,513**

(22) Filed: **Jun. 26, 2000**

(51) **LOC (7) Cl.** **07-01**

(52) **U.S. Cl.** **D7/392.1**

(58) **Field of Search** D7/391-392.1,
D7/538-542, 629, 612-615; D9/414, 424,
435, 443, 454; 220/780-795, 796-806,
309.1, 367.1, 376, 377

(56) **References Cited**

U.S. PATENT DOCUMENTS

D. 267,703	1/1983	Chase et al.	D9/435
D. 287,573	1/1987	Tyler	D9/435
D. 360,105 *	7/1995	Doxey	D7/391
D. 411,741	6/1999	Wilson et al.	D9/425
D. 417,817 *	12/1999	Loew et al.	D7/392.1
D. 425,363	5/2000	Loew et al.	D7/392.1
D. 432,858	10/2000	Hayes et al.	D7/392.1
D. 432,859	10/2000	Hayes et al.	D7/392.1
3,737,093	6/1973	Amberg et al.	206/14 R
4,809,868 *	3/1989	Pomroy	220/793 X

OTHER PUBLICATIONS

Holiday Housewares, Inc., "form and function" brochure (date unknown, but before Jun. 26, 2000).

Sterilite, "UltraSeal", 2 pages (date unknown, but before Jun. 26, 2000).

Rubbermaid, "Food Storage", 3 pages (date unknown, but before Jun. 26, 2000).

* cited by examiner

Primary Examiner—Terry A. Wallace

(74) *Attorney, Agent, or Firm*—Pandiscio & Pandiscio

(57) **CLAIM**

The ornamental design for a lid for a container, as shown and described.

DESCRIPTION

FIG. 1 is a top (plan) view of a container lid embodying the new design;

FIG. 2 is a front elevation of the same container lid;

FIG. 3 is a bottom view of the same container lid;

FIG. 4 is a right side elevation of the same container lid looking from right to left in FIG. 1;

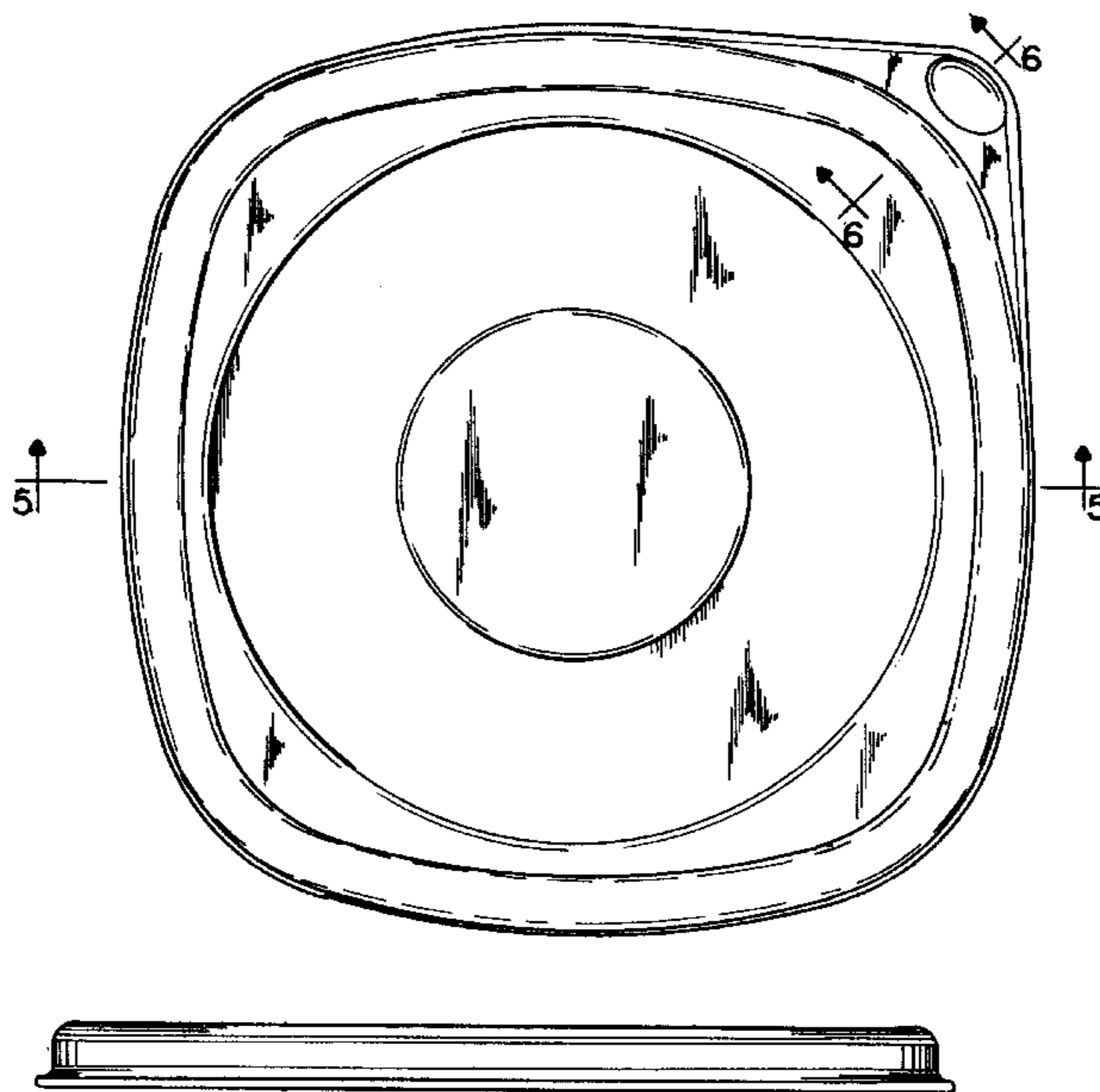
FIG. 5 is a cross-sectional view taken along line 5—5 of FIG. 1; and,

FIG. 6 is a cross-sectional view taken along line 6—6 of FIG. 1.

The left side view (not shown) is a mirror image of the right side view shown in FIG. 4.

The rear view is a mirror image of the front view shown in FIG. 2.

1 Claim, 3 Drawing Sheets



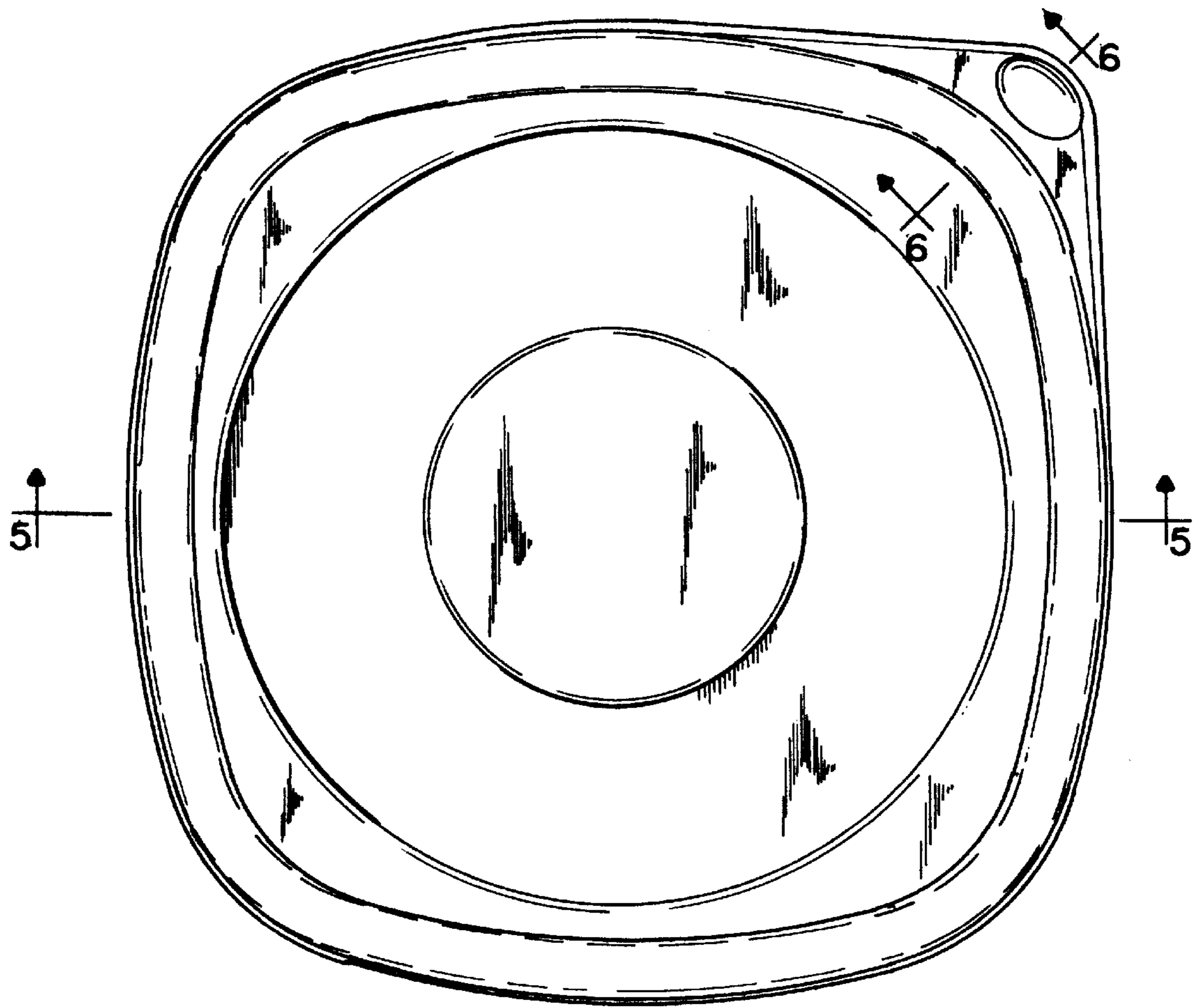


FIG. 1

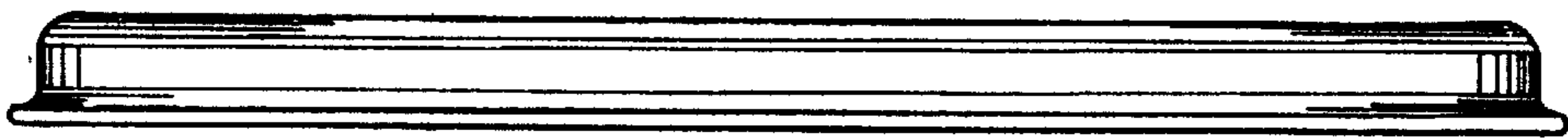


FIG. 2

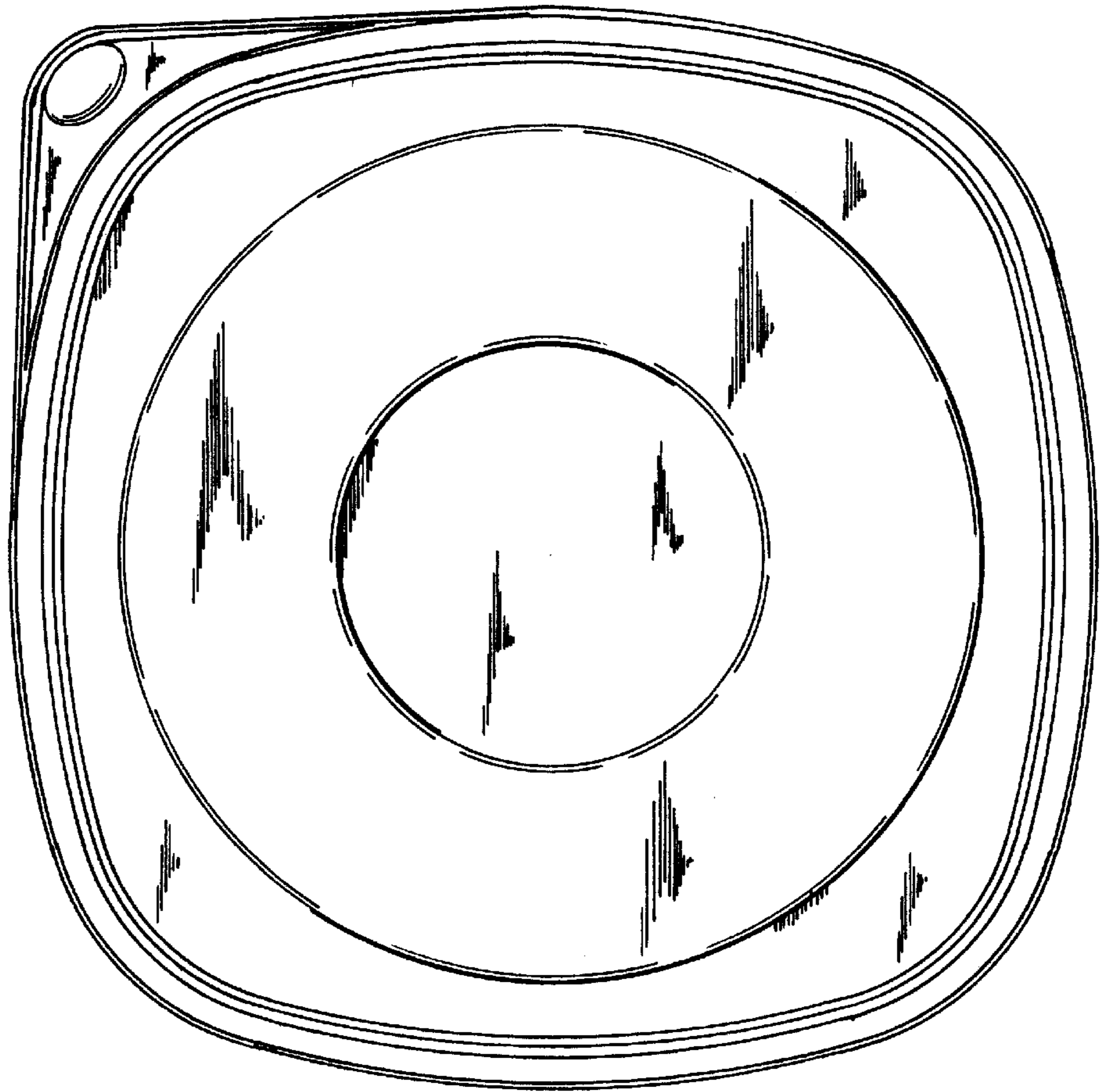


FIG. 3

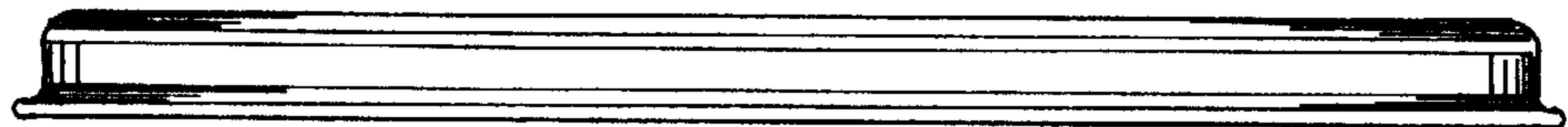


FIG. 4



FIG. 5

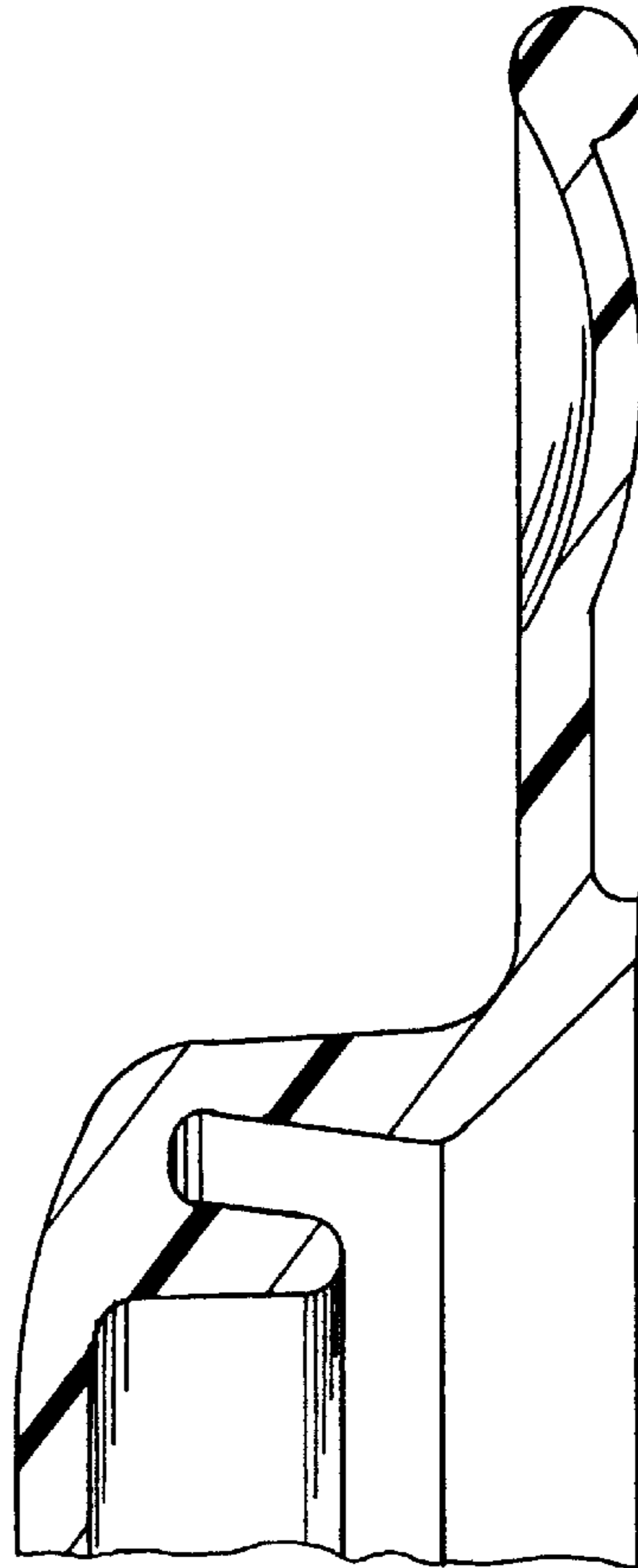


FIG. 6