



US00D448603B1

(12) **United States Design Patent**
Yeh

(10) **Patent No.:** **US D448,603 S**

(45) **Date of Patent:** **** Oct. 2, 2001**

(54) **COFFEE MAKER**

(76) **Inventor:** **Chuan-Jang Yeh**, No.87, Bei Mei Road, Ho Mei Town Chang Hua Hsien (TW)

(**) **Term:** **14 Years**

(21) **Appl. No.:** **29/135,372**

(22) **Filed:** **Jan. 12, 2001**

(51) **LOC (7) Cl.** **07-01**

(52) **U.S. Cl.** **D7/319; D7/317**

(58) **Field of Search** **D7/300, 316, 317, D7/318, 319**

D. 386,351	*	11/1997	Joergensen	D7/319
D. 388,275	*	12/1997	Joergensen	D7/319
D. 401,466	*	11/1998	Joergensen	D7/318
D. 405,641	*	2/1999	Brady	D7/319
D. 405,642	*	2/1999	Toriba	D7/319
D. 410,170	*	5/1999	Sheu	D7/319
D. 413,480	*	9/1999	Joergensen	D7/317
D. 441,248	*	5/2001	Brady	D7/319

* cited by examiner

Primary Examiner—M. N. Pandozzi

(74) *Attorney, Agent, or Firm*—Dougherty & Troxell

(57) **CLAIM**

The ornamental design for coffee maker, as shown and described.

(56) **References Cited**

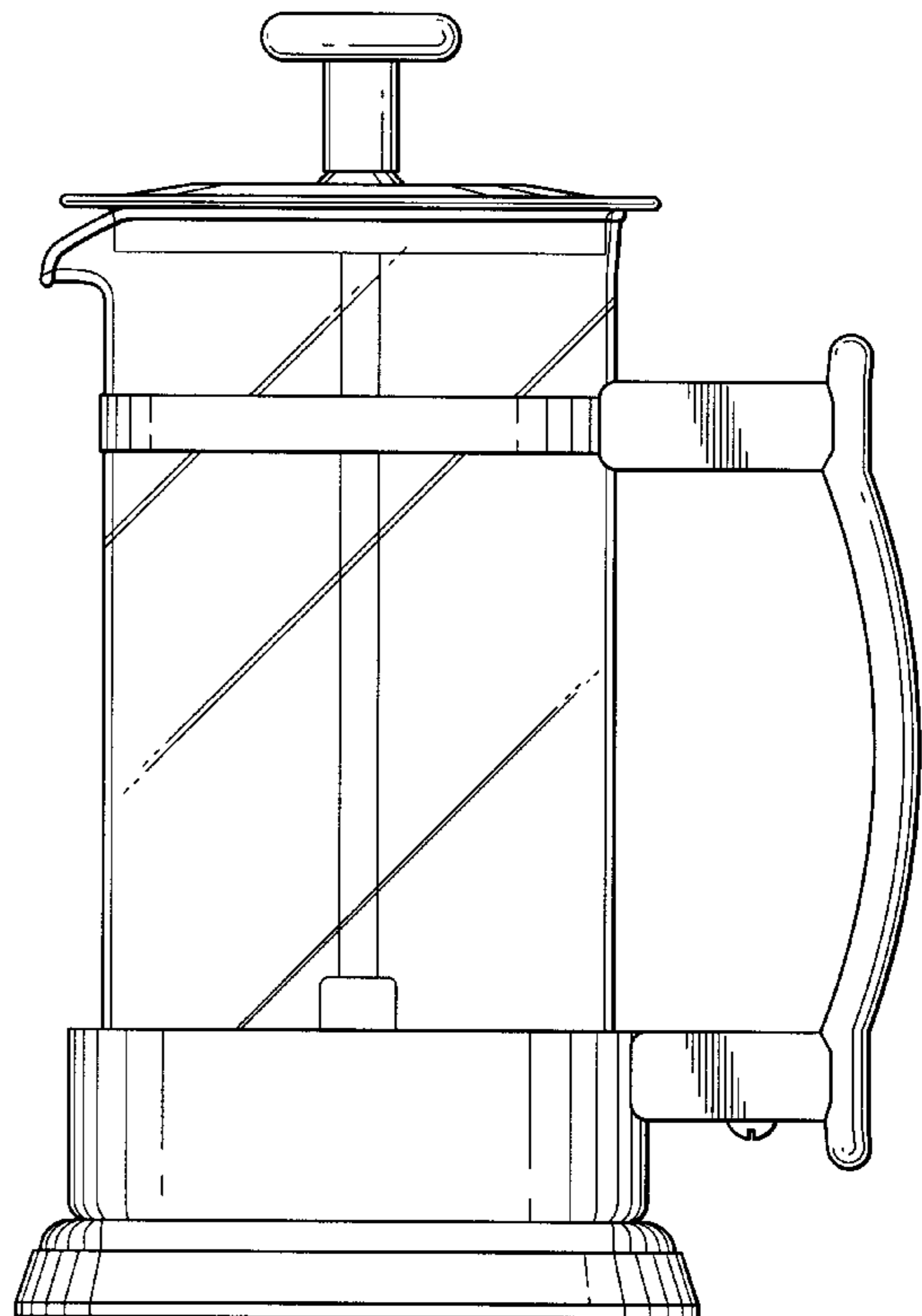
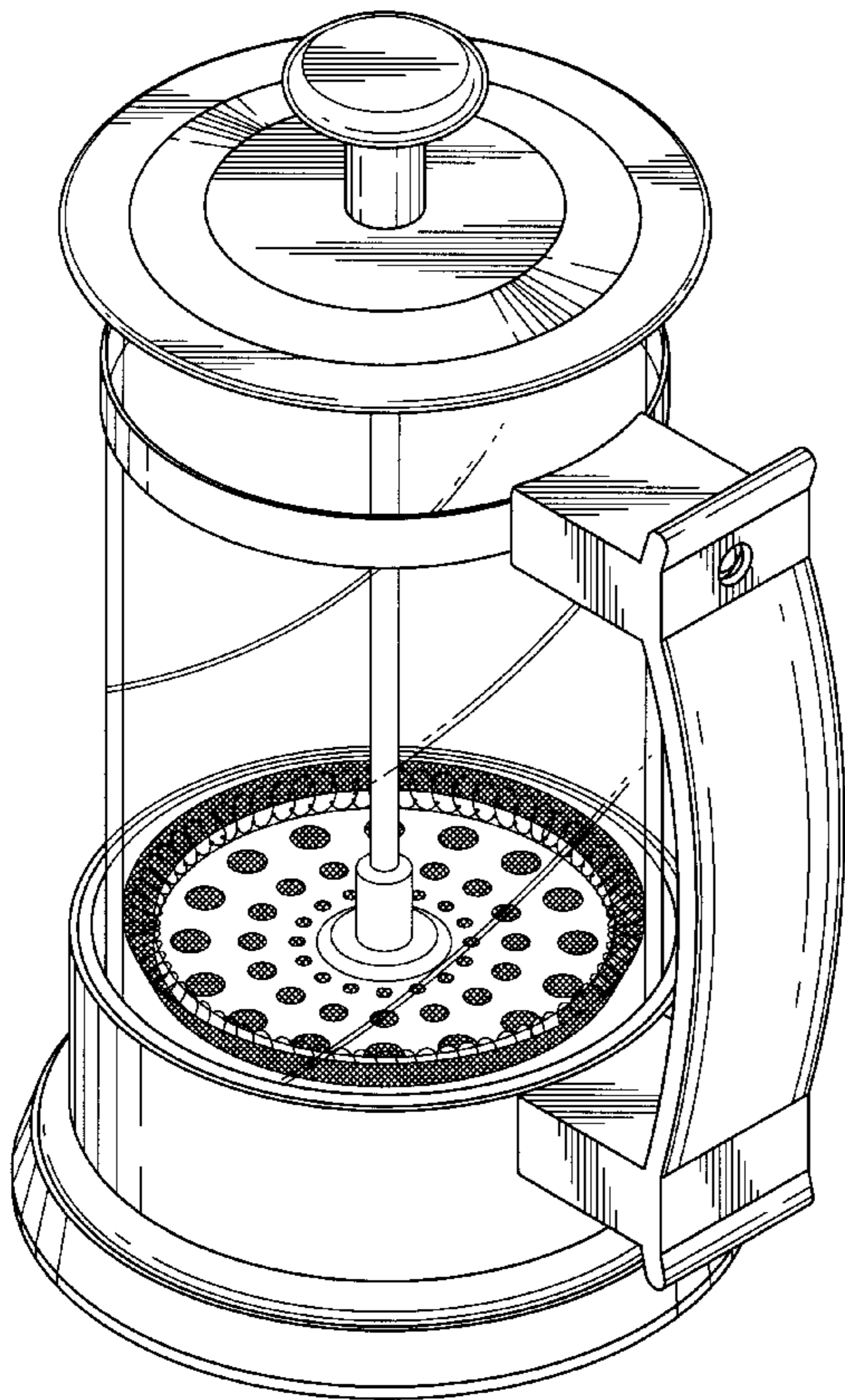
U.S. PATENT DOCUMENTS

D. 342,414	*	12/1993	Jorgensen	D7/317
D. 343,333	*	1/1994	Jorgensen	D7/317
D. 372,627	*	8/1996	Ireland	D7/319
D. 377,132	*	1/1997	Jorgensen	D7/318
D. 378,261	*	3/1997	Jorgensen	D7/319
D. 383,638	*	9/1997	Joergensen	D7/319
D. 383,639	*	9/1997	Jorgensen	D7/319
D. 384,539	*	10/1997	Joergensen	D7/318
D. 384,540	*	10/1997	Joergensen	D7/319
D. 386,040	*	11/1997	Joergensen	D7/317

DESCRIPTION

FIG. 1 is a perspective view of coffee maker showing my new design;
FIG. 2 is a right side elevational view thereof;
FIG. 3 is a left side elevational view thereof;
FIG. 4 is a rear elevational view thereof
FIG. 5 is a front elevational view thereof;
FIG. 6 is a top plan view thereof; and,
FIG. 7 is a bottom plan view thereof.

1 Claim, 7 Drawing Sheets



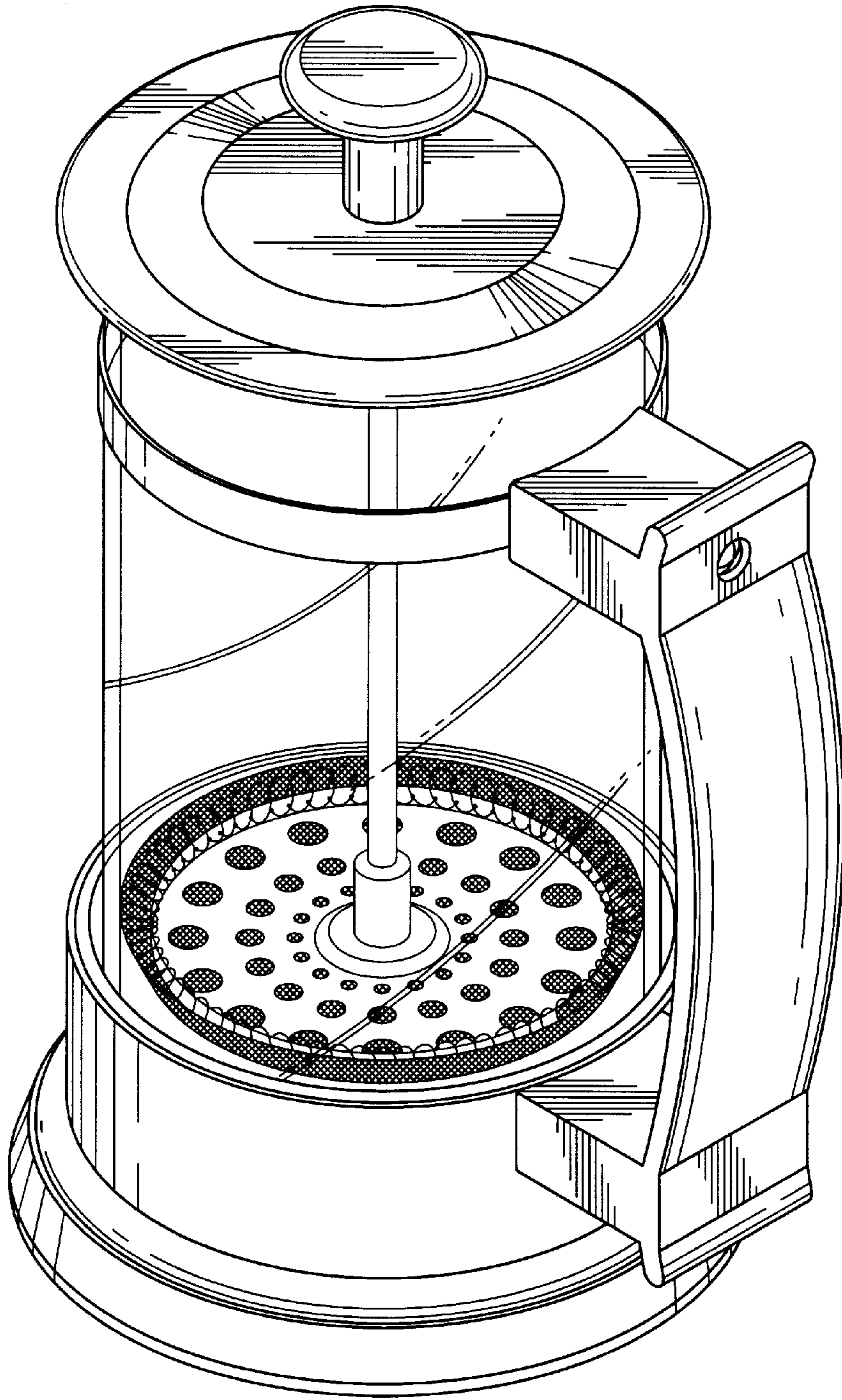


Fig. 1

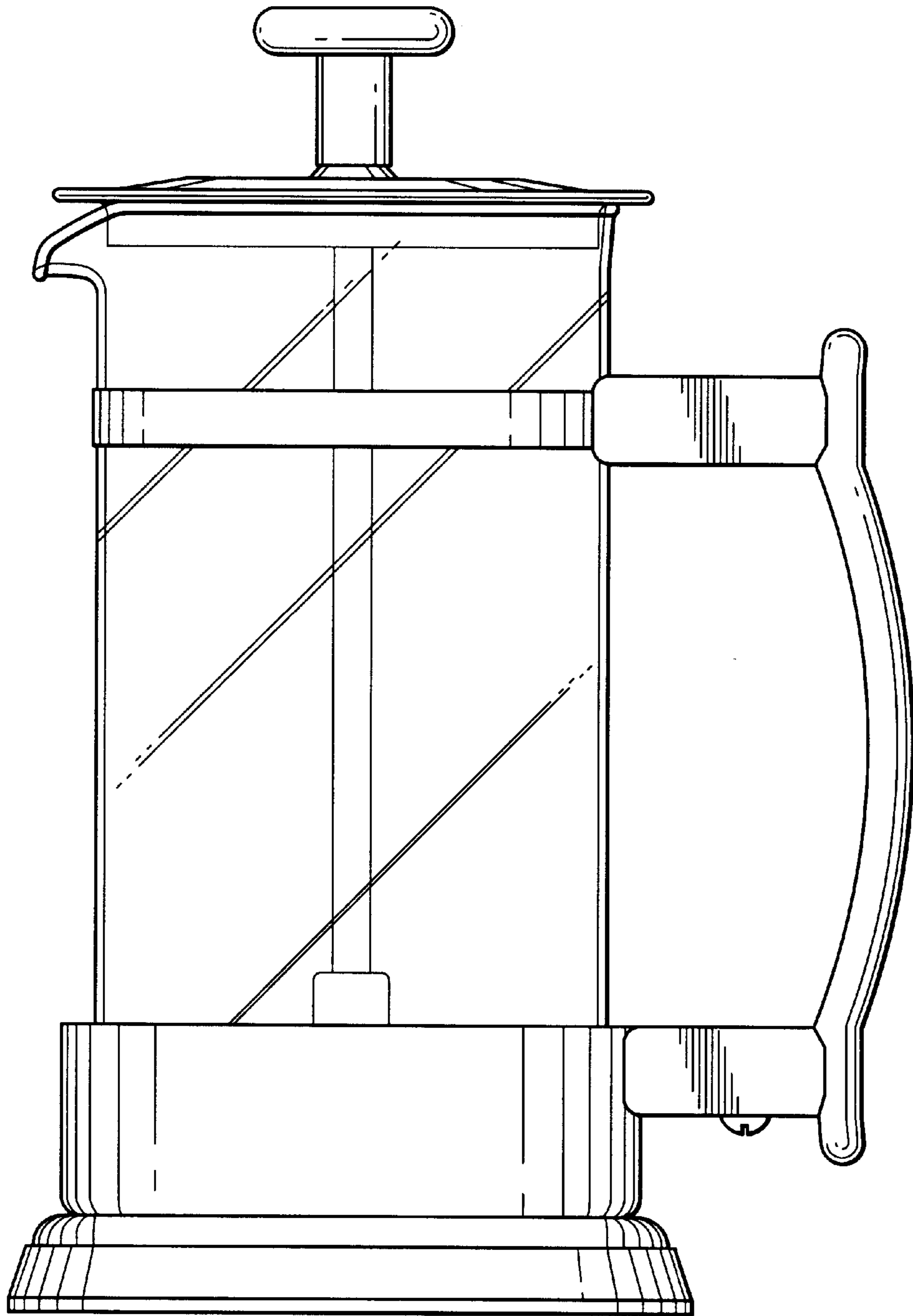


Fig. 2

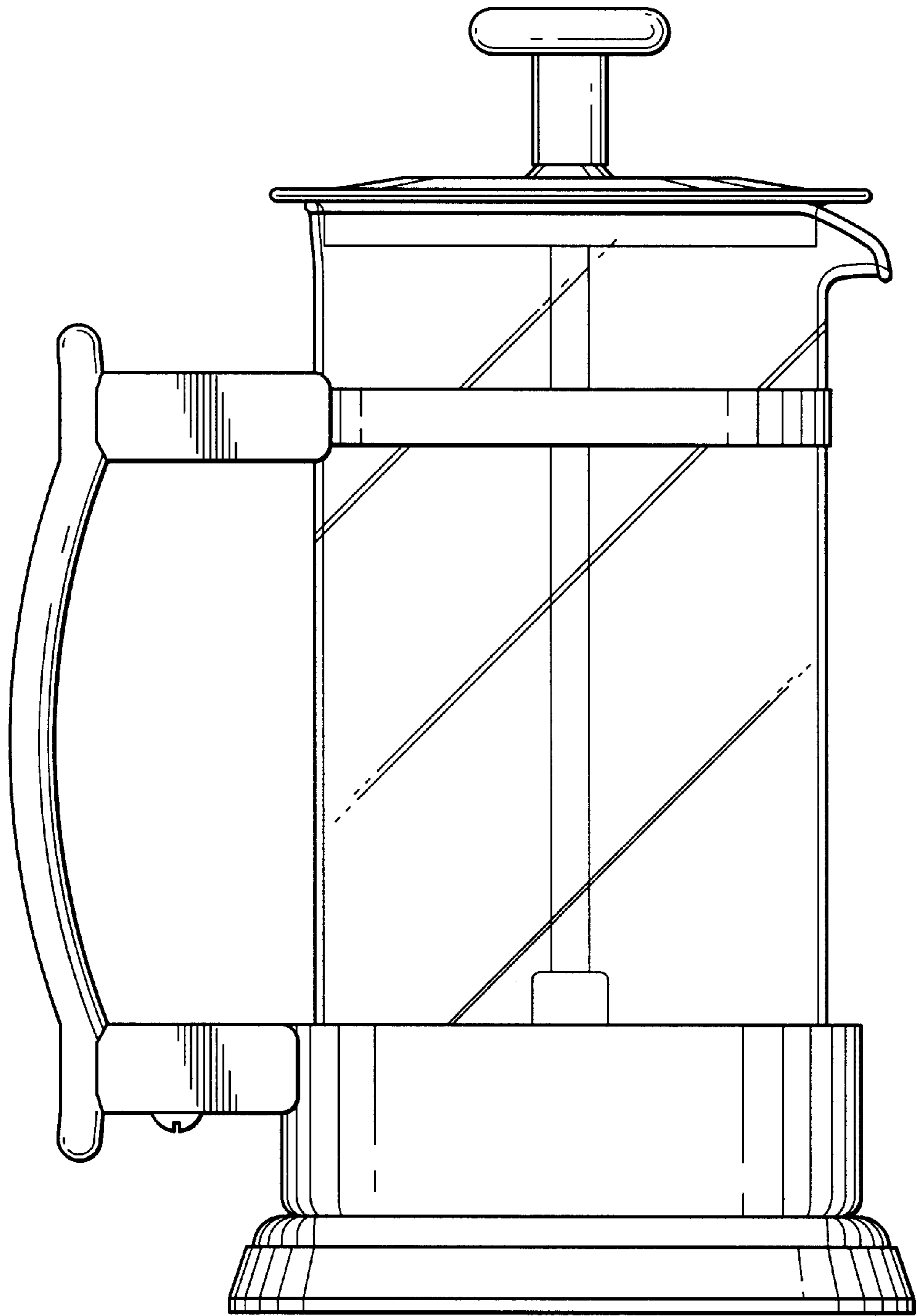


Fig. 3

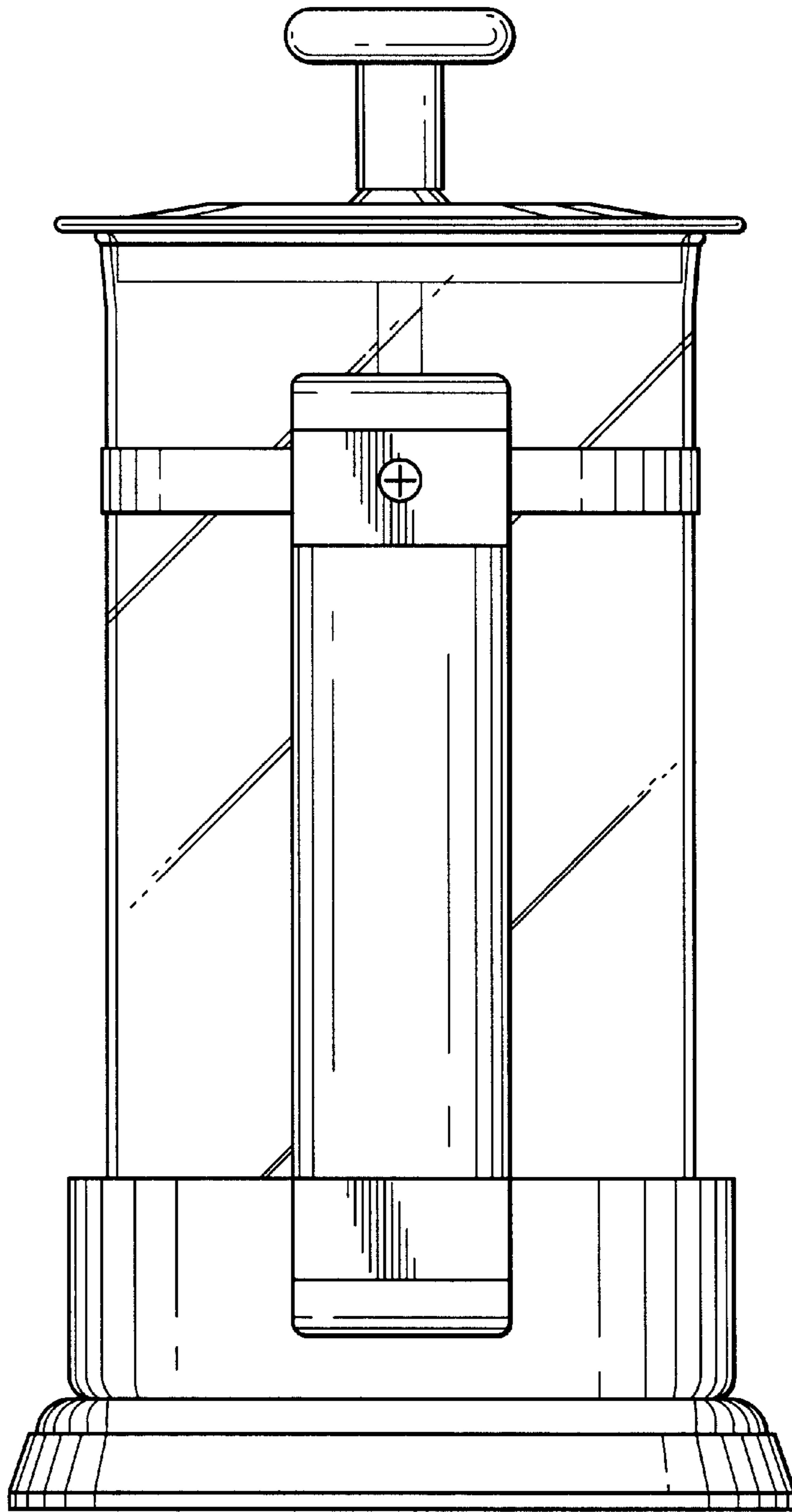


Fig. 4

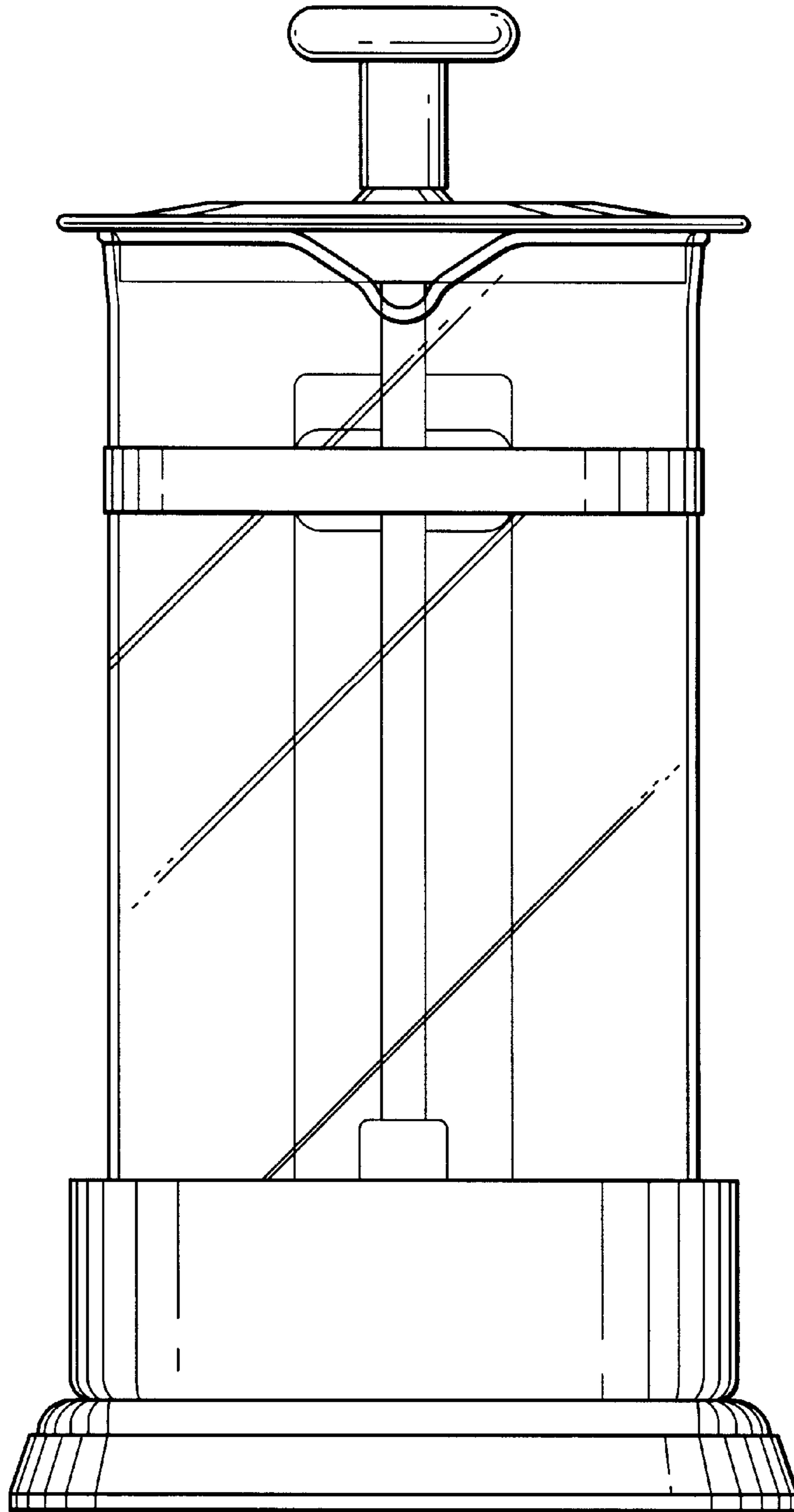


Fig. 5

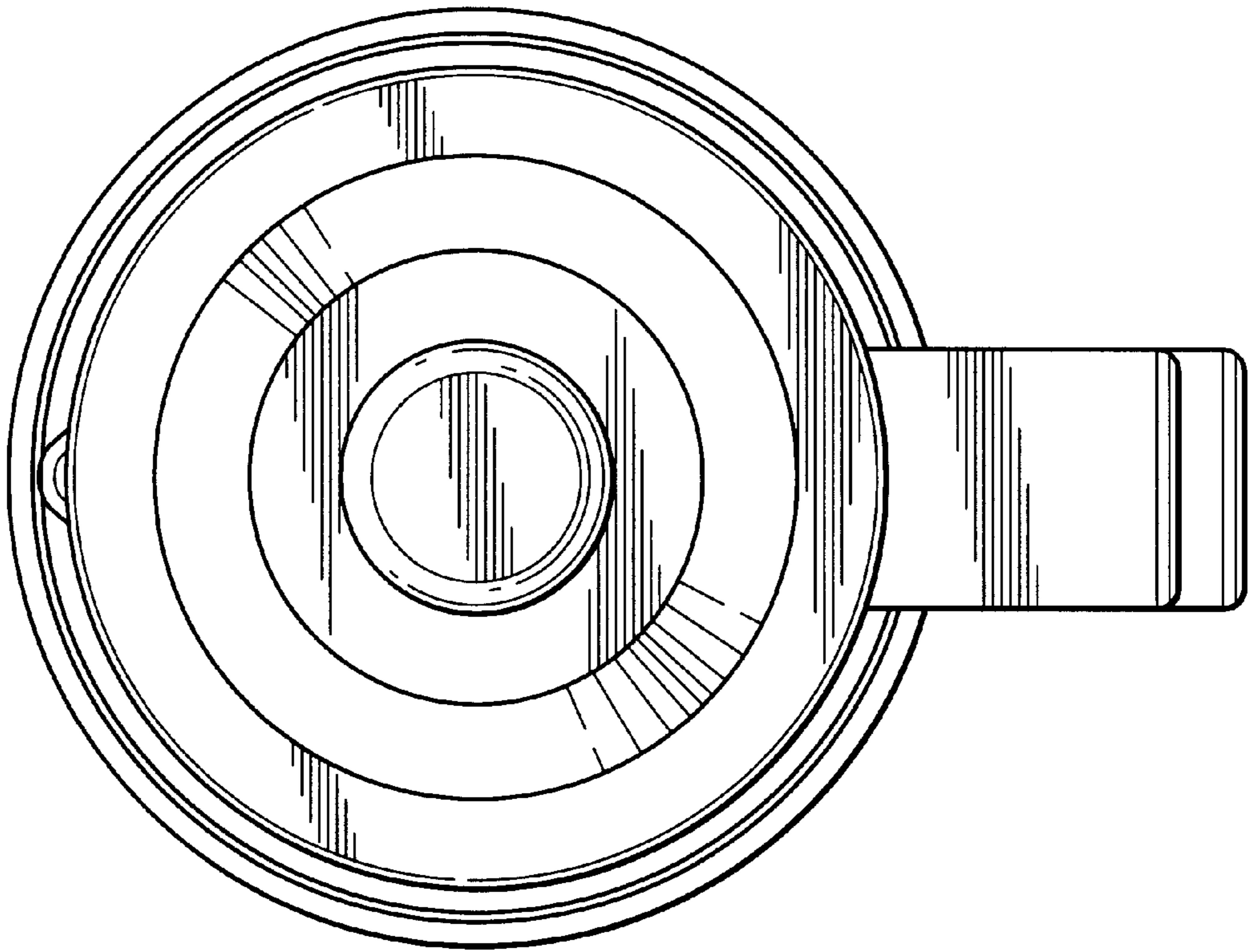


Fig. 6

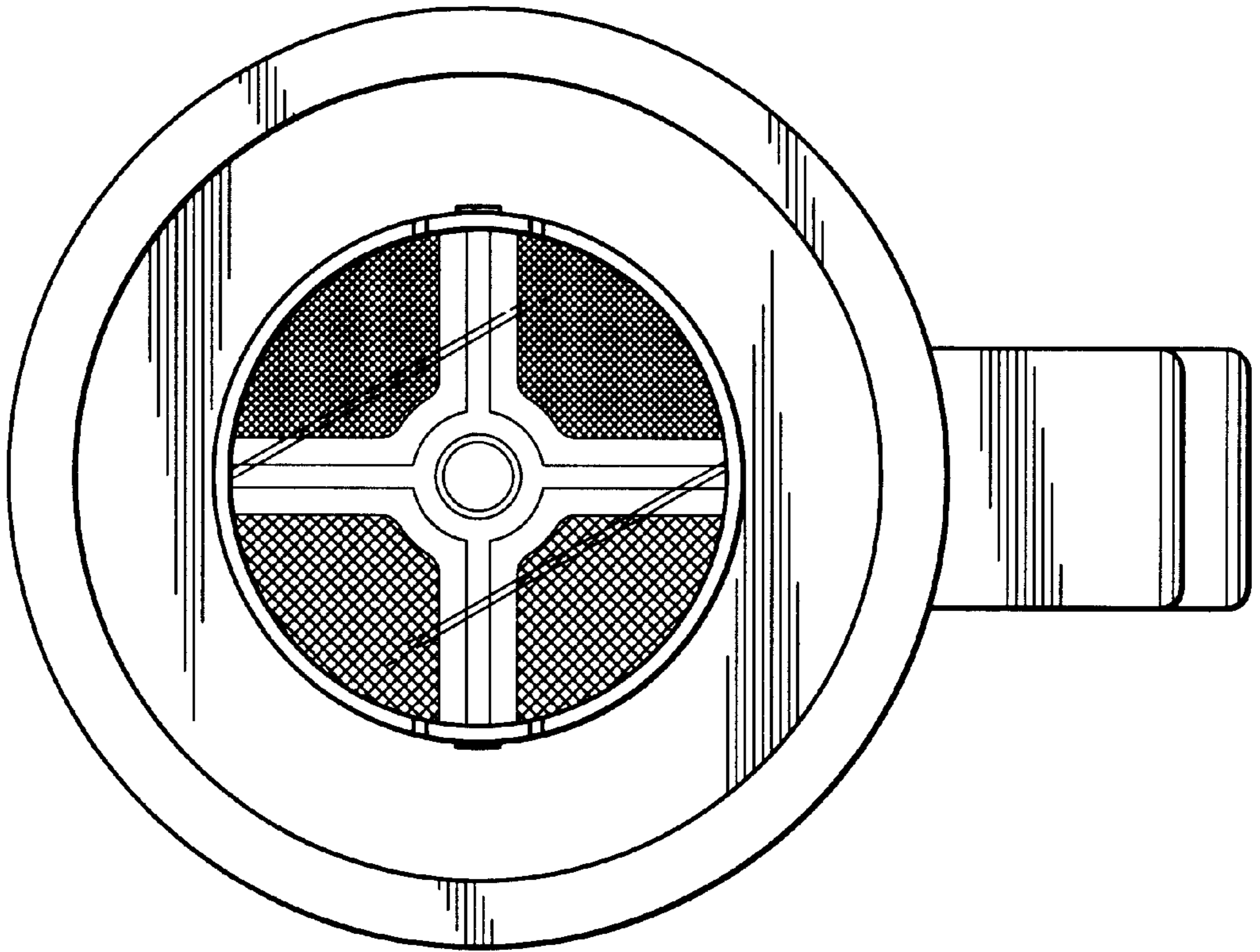


Fig. 7