



US00D448602B1

(12) **United States Design Patent**
Bodum

(10) **Patent No.:** **US D448,602 S**

(45) **Date of Patent:** **** Oct. 2, 2001**

(54) **COFFEE MAKER**

(75) **Inventor:** **Jørgen Bodum, St. Niklausen (CH)**

(73) **Assignee:** **PI-Design AG, Triengen (CH)**

(**) **Term:** **14 Years**

(21) **Appl. No.:** **29/135,011**

(22) **Filed:** **Jan. 4, 2001**

(30) **Foreign Application Priority Data**

Jul. 13, 2000 (DK) MA 2000 00729

(51) **LOC (7) Cl.** **07-01**

(52) **U.S. Cl.** **D7/319; D7/317**

(58) **Field of Search** D7/316, 317, 318,
D7/319, 300; 220/759, 278, 758, 755, 718,
719; 222/465.1, 475.1, 156

(56) **References Cited**

U.S. PATENT DOCUMENTS

- D. 342,414 * 12/1993 Jorgensen D7/317
- D. 343,333 * 1/1994 Jorgensen D7/317
- D. 372,627 * 8/1996 Ireland D7/319
- D. 377,132 * 1/1997 Jorgensen D7/318
- D. 378,261 * 3/1997 Jorgensen D7/319
- D. 383,638 * 9/1997 Joergensen D7/319
- D. 383,639 * 9/1997 Jorgensen D7/319
- D. 384,539 * 10/1997 Joergensen D7/318

- D. 384,540 * 10/1997 Joergensen D7/319
- D. 386,040 * 11/1997 Joergensen D7/317
- D. 386,351 * 11/1997 Joergensen D7/319
- D. 388,275 * 12/1997 Joergensen D7/319
- D. 401,466 * 11/1998 Joergensen D7/318
- D. 405,641 * 2/1999 Brady D7/319
- D. 405,642 * 2/1999 Toriba D7/319
- D. 410,170 * 5/1999 Sheu D7/319
- D. 413,480 * 9/1999 Joergensen D7/317
- D. 441,248 * 5/2001 Brady D7/319

* cited by examiner

Primary Examiner—M. N. Pandozzi

(74) *Attorney, Agent, or Firm*—Nath & Associates PLLC;
Gary M. Nath; Marvin C. Berkowitz

(57) **CLAIM**

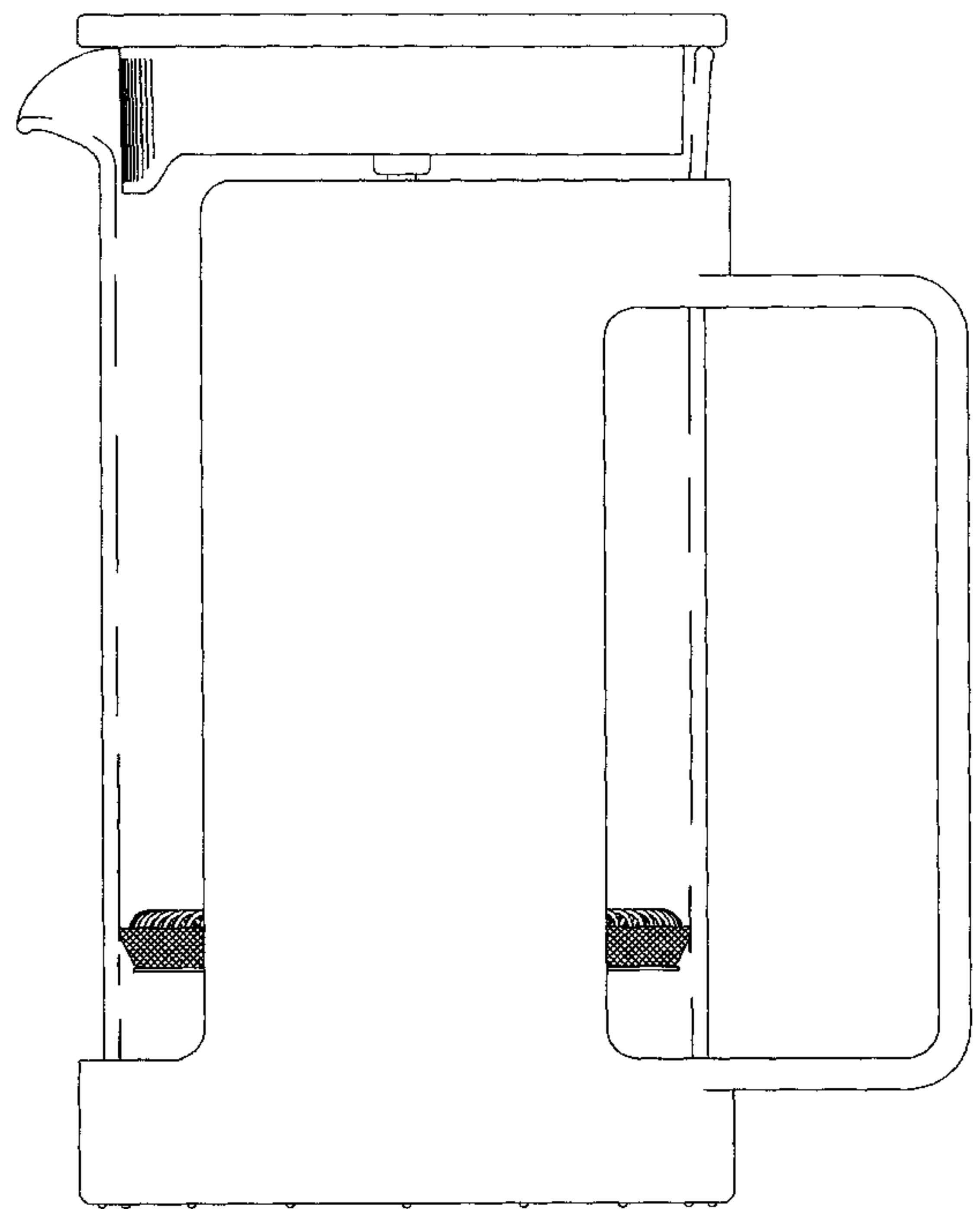
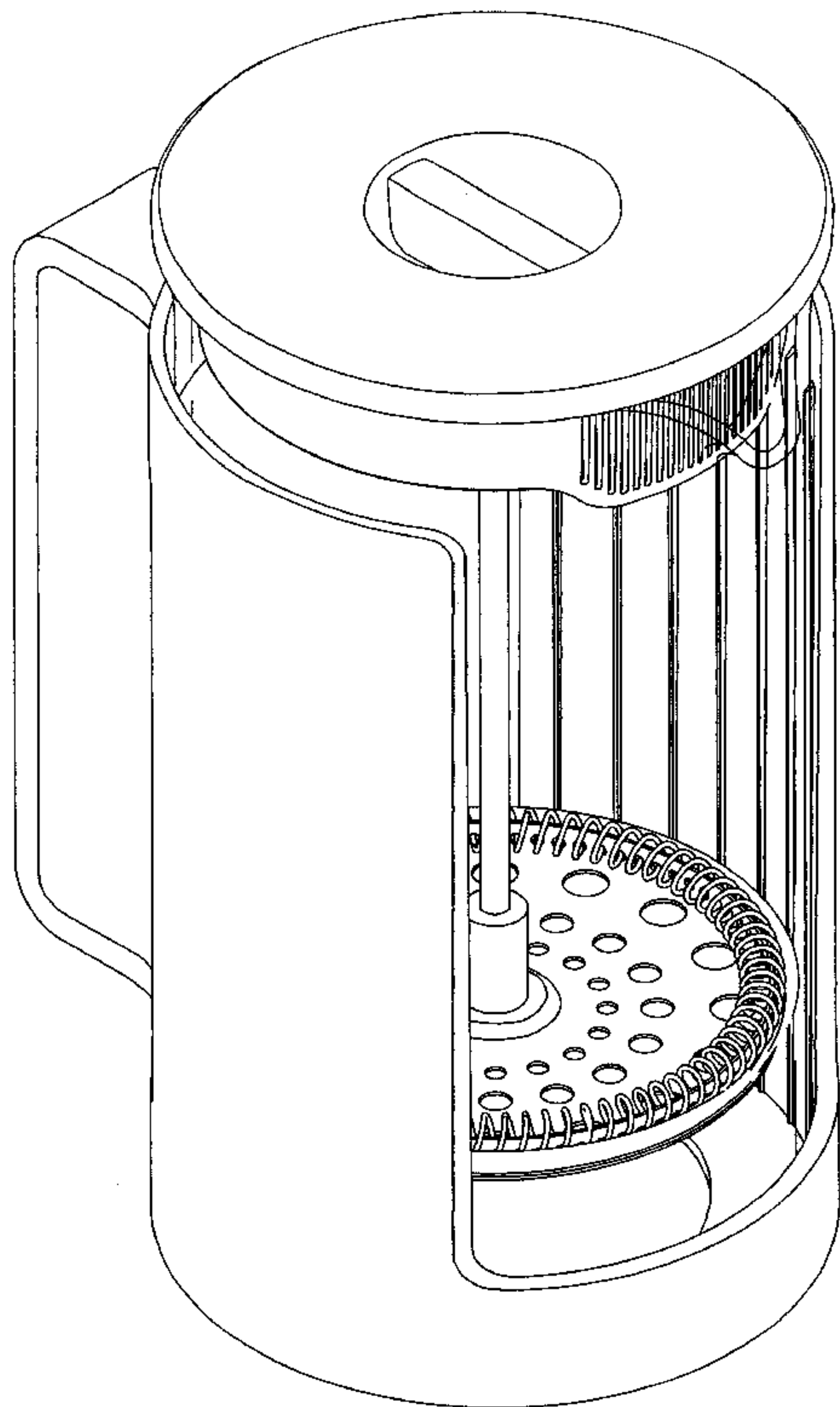
The ornamental design for a coffee maker, as shown and described.

DESCRIPTION

FIG. 1 is an oblique perspective view of the coffee maker; FIG. 2 is a right side view of the coffee maker, as shown in FIG. 1;

FIG. 3 is a left side view of the coffee maker; FIG. 4 is a front side view of the coffee maker; FIG. 5 is a back side view of the coffee maker; FIG. 6 is a top view of the coffee maker; and, FIG. 7 is a bottom view of the coffee maker.

1 Claim, 7 Drawing Sheets



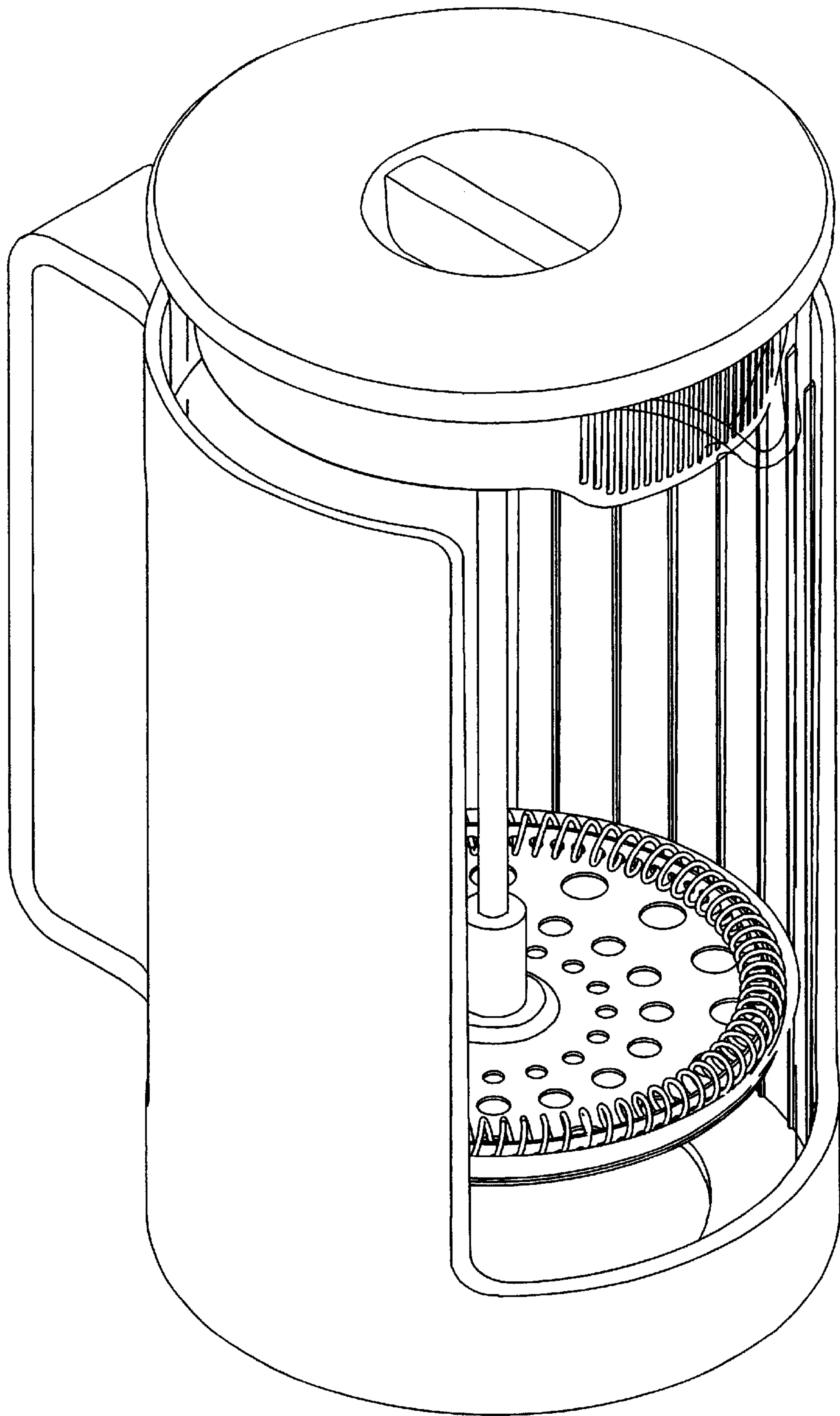


Fig. 1

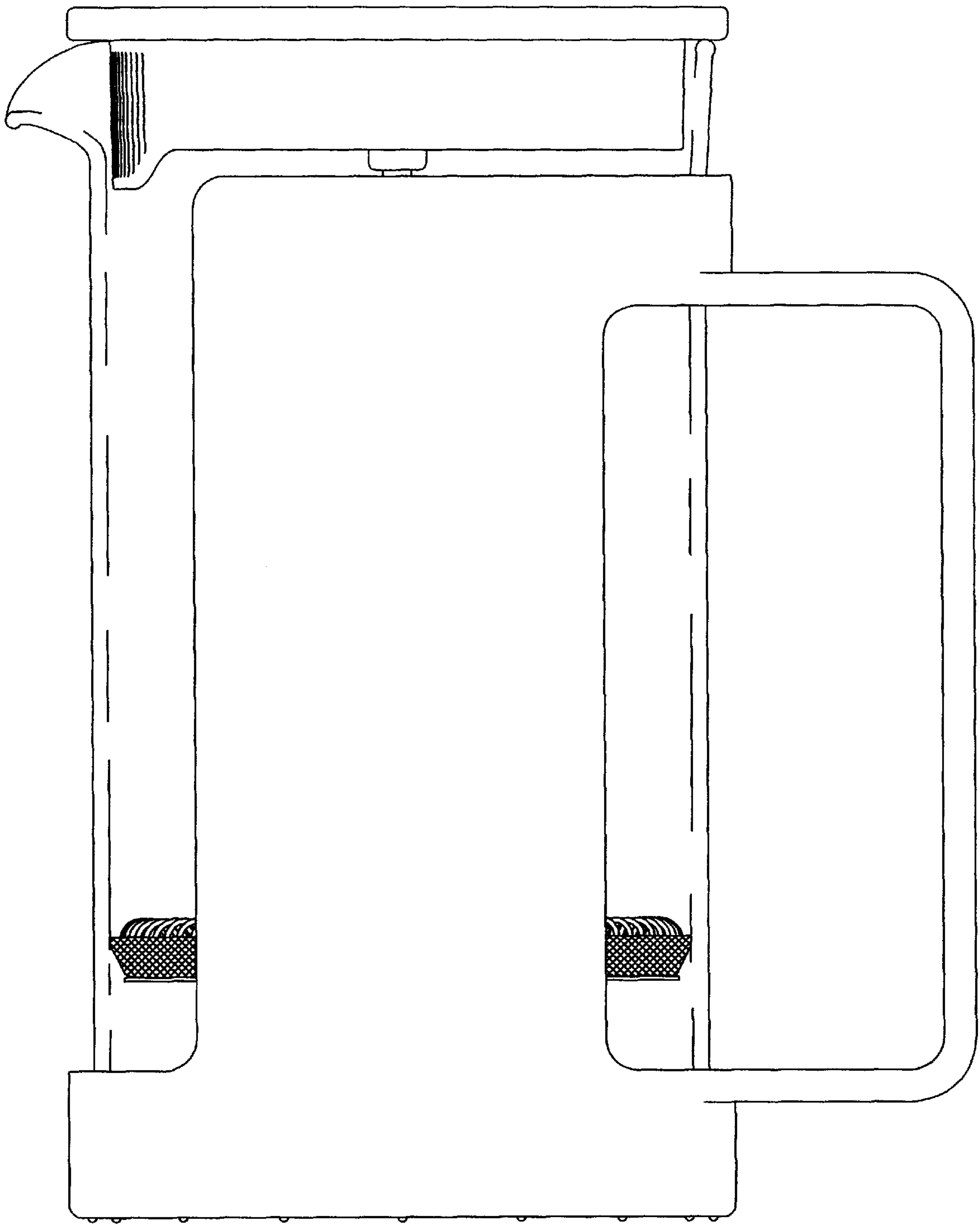


Fig. 2

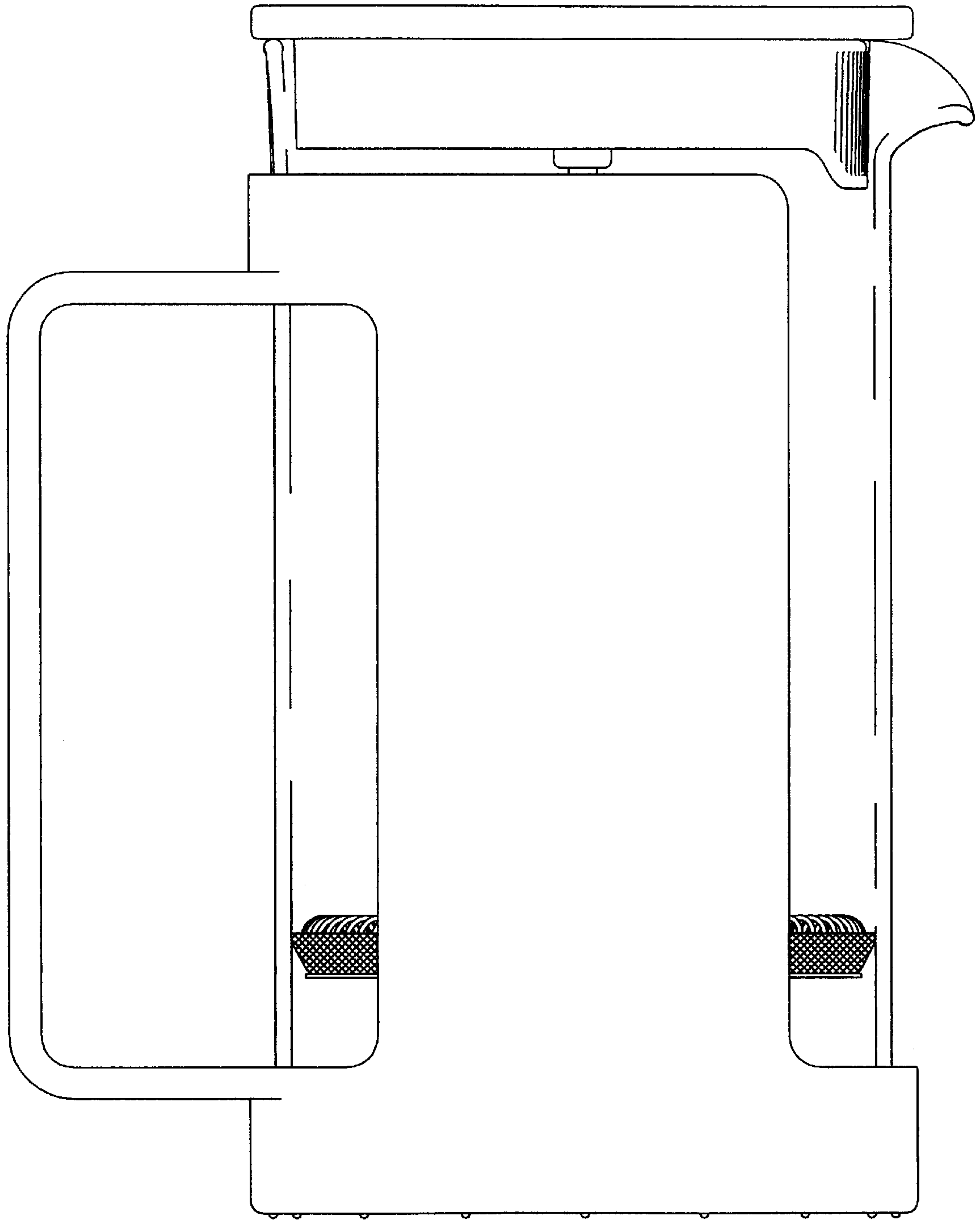


Fig. 3

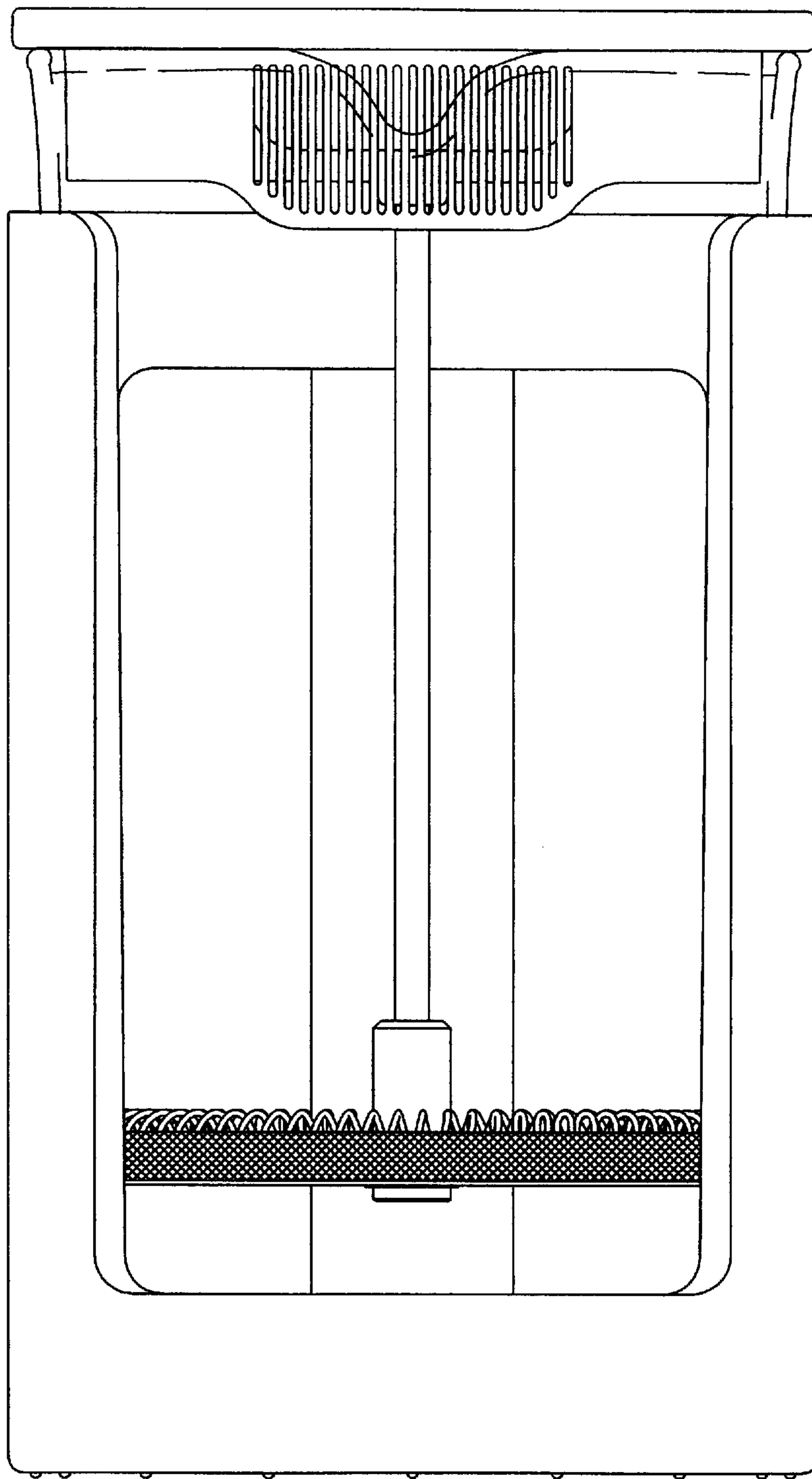


Fig. 4

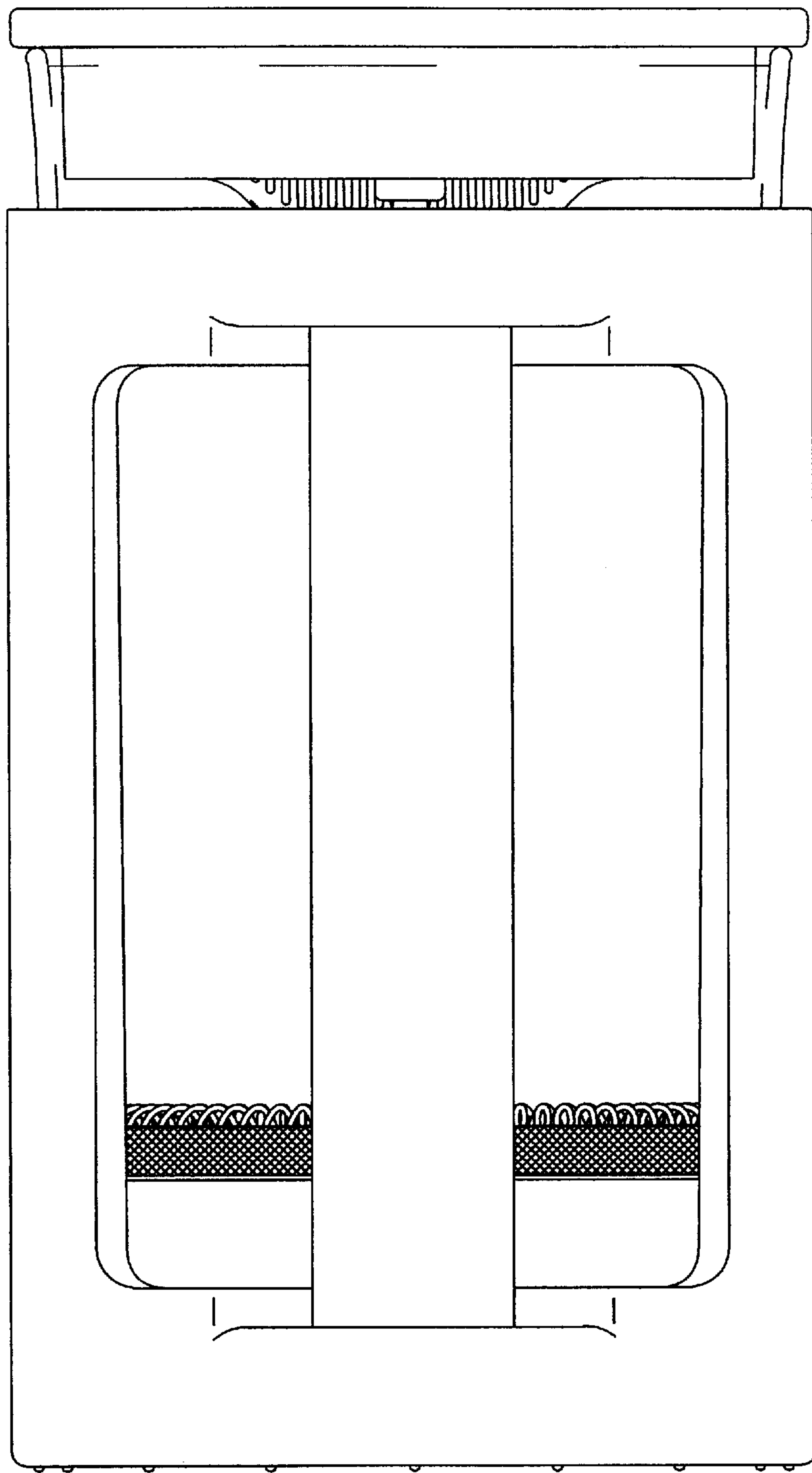


Fig. 5

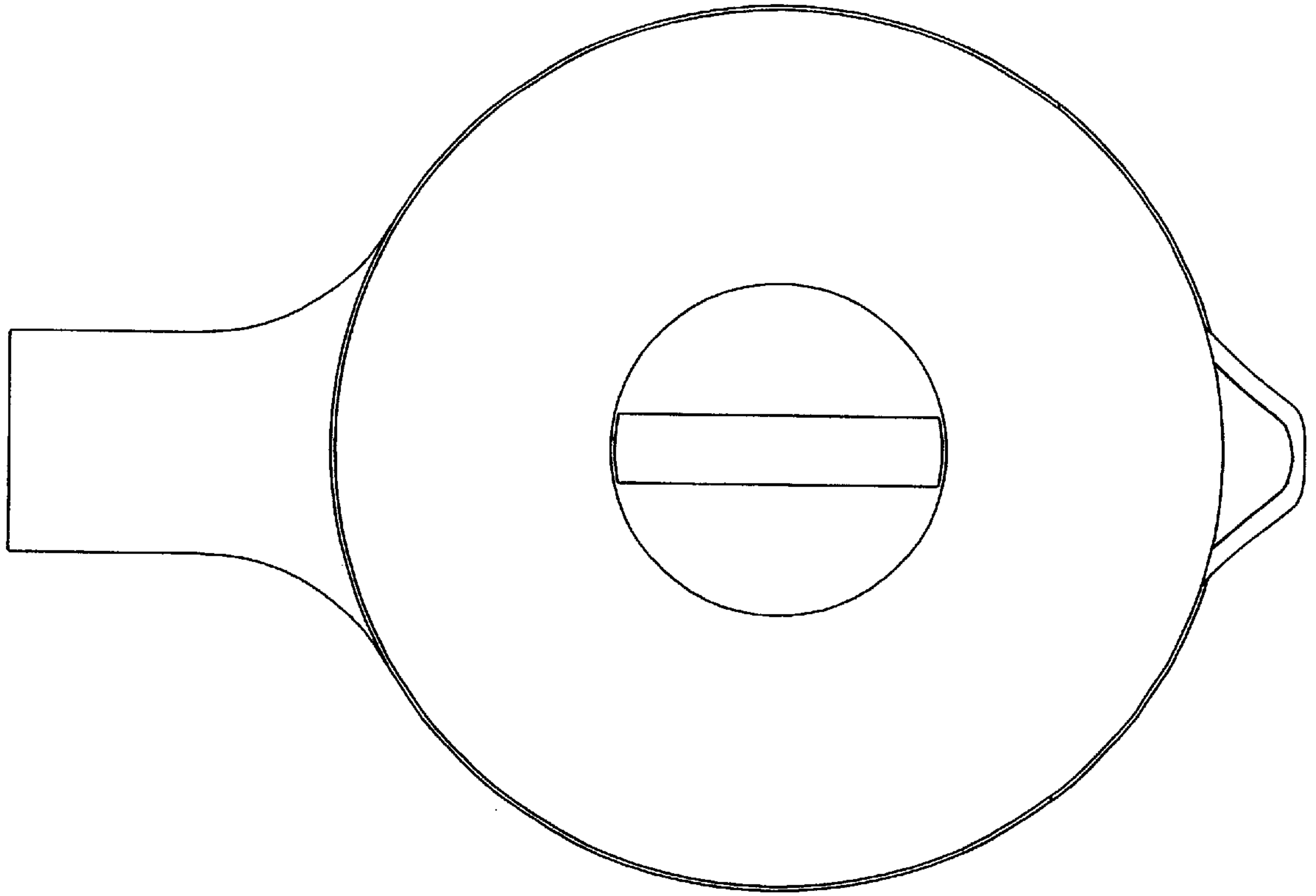


Fig. 6

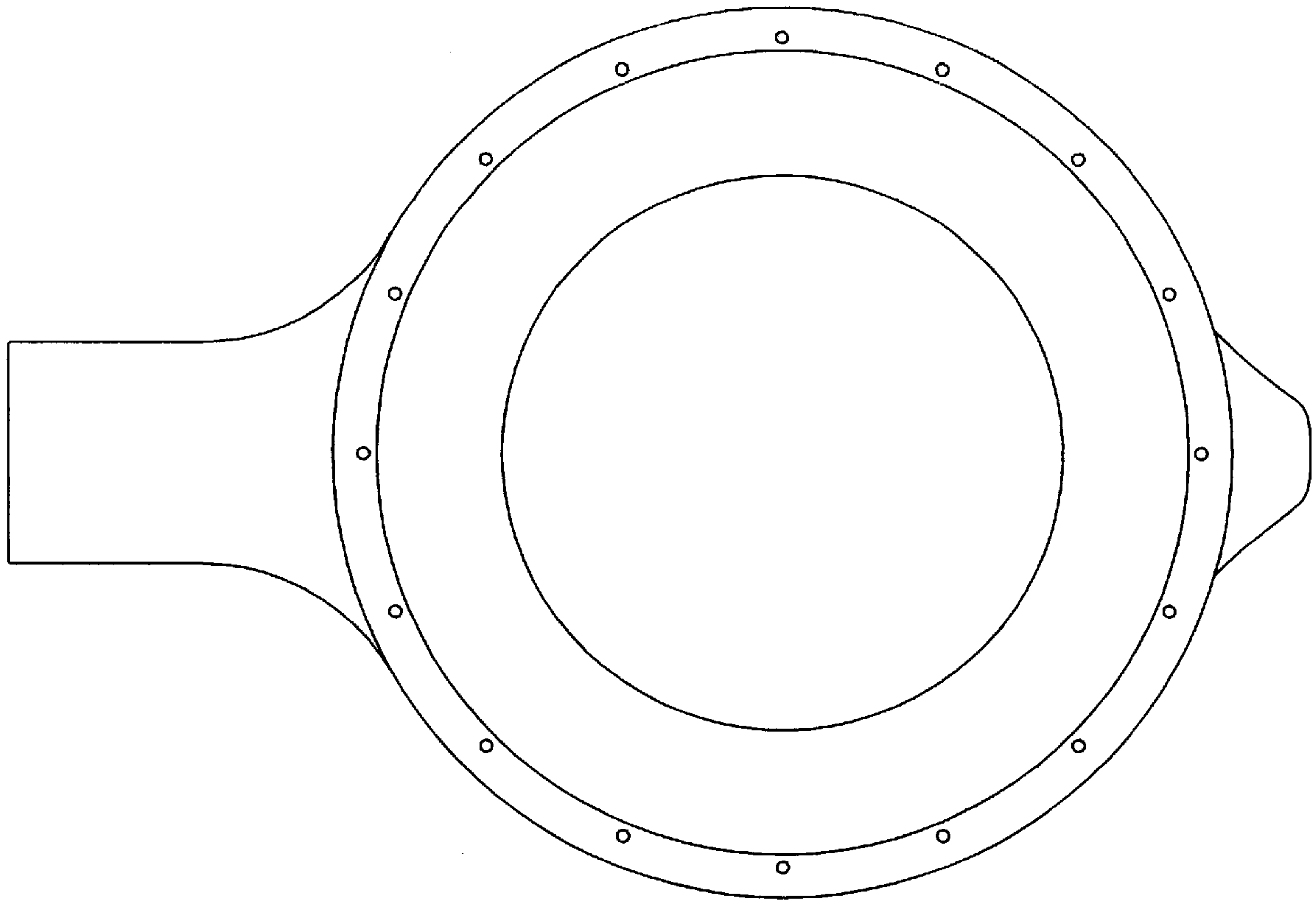


Fig. 7