



US00D448601B1

(12) **United States Design Patent**  
**Yeh**

(10) **Patent No.:** **US D448,601 S**

(45) **Date of Patent:** **\*\* Oct. 2, 2001**

(54) **COFFEE MAKER**

(76) Inventor: **Chung-Jang Yeh**, No.87, Bei Mei Road, Ho Mei Town, Chang Hua Hsien (TW)

(\*\*) Term: **14 Years**

(21) Appl. No.: **29/123,706**

(22) Filed: **May 24, 2000**

(51) **LOC (7) Cl.** ..... **07-01**

(52) **U.S. Cl.** ..... **D7/319; D7/318; D7/317**

(58) **Field of Search** ..... **D7/319, 318, 317, D7/316, 312, 300, 608, 622; 220/718, 755; 206/446; 222/465.1**

(56) **References Cited**

**U.S. PATENT DOCUMENTS**

D. 337,691	*	7/1993	Raunkjaer	.....	D7/317
D. 342,414	*	12/1993	Jorgensen	.....	D7/317
D. 343,333	*	1/1994	Jorgensen	.....	D7/317
D. 343,760	*	2/1994	Lin	.....	D7/318
D. 372,627	*	8/1996	Ireland	.....	D7/319
D. 377,132	*	1/1997	Jorgensen	.....	D7/318
D. 378,261	*	3/1997	Jorgensen	.....	D7/319
D. 383,638	*	9/1997	Joergensen	.....	D7/319
D. 383,639	*	9/1997	Jorgensen	.....	D7/319
D. 384,539	*	10/1997	Joergensen	.....	D7/318
D. 384,540	*	10/1997	Joergensen	.....	D7/319

D. 386,040	*	11/1997	Joergensen	.....	D7/317
D. 386,351	*	11/1997	Joergensen	.....	D7/319
D. 388,275	*	12/1997	Joergensen	.....	D7/319
D. 401,466	*	11/1998	Joergensen	.....	D7/318
D. 405,641	*	2/1999	Brady	.....	D7/319
D. 405,642	*	2/1999	Toriba	.....	D7/319
D. 410,170	*	5/1999	Sheu	.....	D7/319
D. 413,480	*	9/1999	Joergensen	.....	D7/317
D. 441,248	*	5/2001	Brady	.....	D7/319
1,782,962	*	11/1930	Hobbs	.....	206/466

\* cited by examiner

*Primary Examiner*—M. N. Pandozzi

(74) *Attorney, Agent, or Firm*—Bacon & Thomas, PLLC

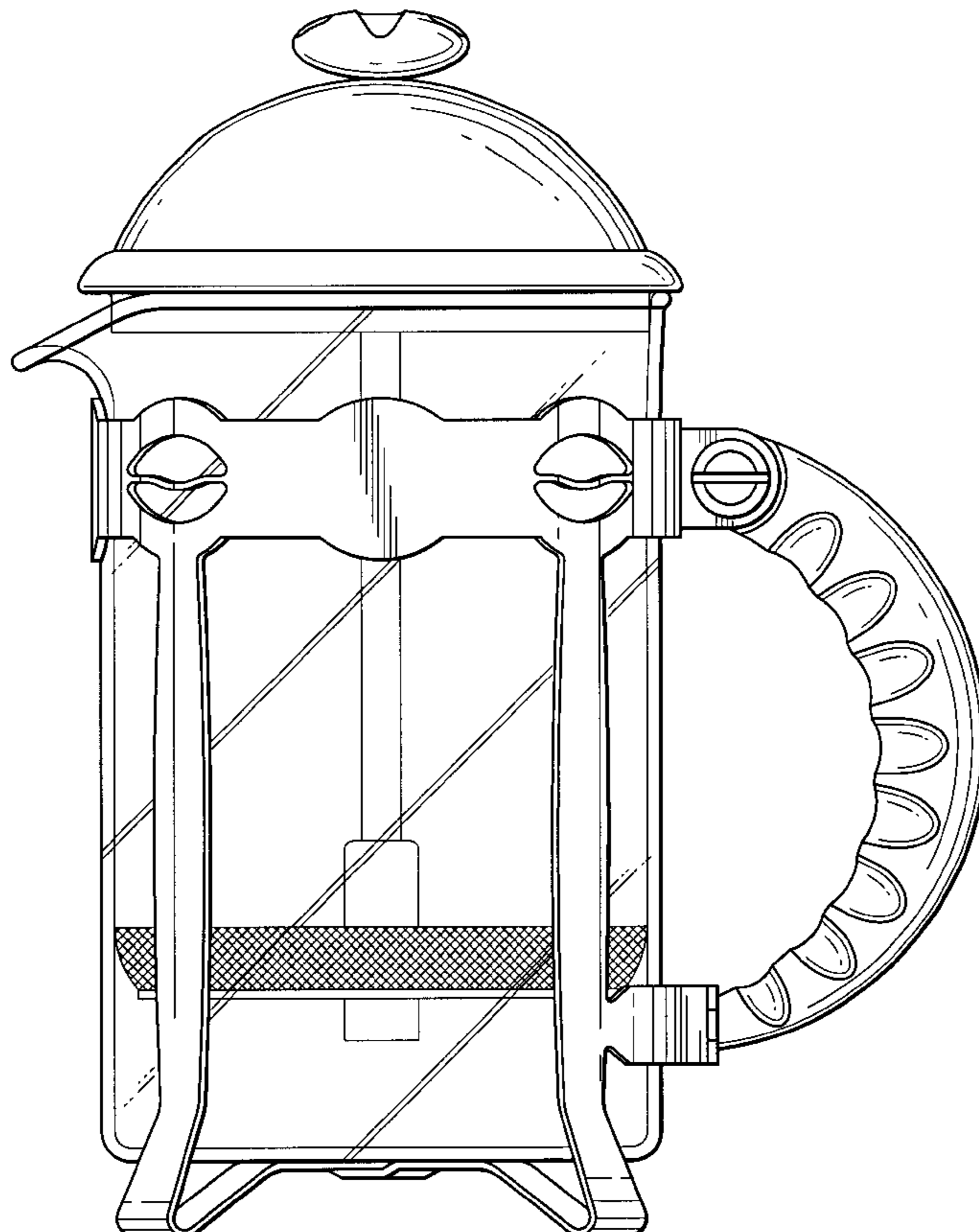
(57) **CLAIM**

The ornamental design for coffee maker, as shown and described.

**DESCRIPTION**

FIG. 1 is a perspective view of coffee maker showing my new design;  
FIG. 2 is a front elevational view thereof;  
FIG. 3 is a rear elevational view thereof;  
FIG. 4 is a right side elevational view thereof;  
FIG. 5 is a left side elevational view thereof;  
FIG. 6 is a top plan view thereof; and,  
FIG. 7 is a bottom plan view thereof.

**1 Claim, 7 Drawing Sheets**



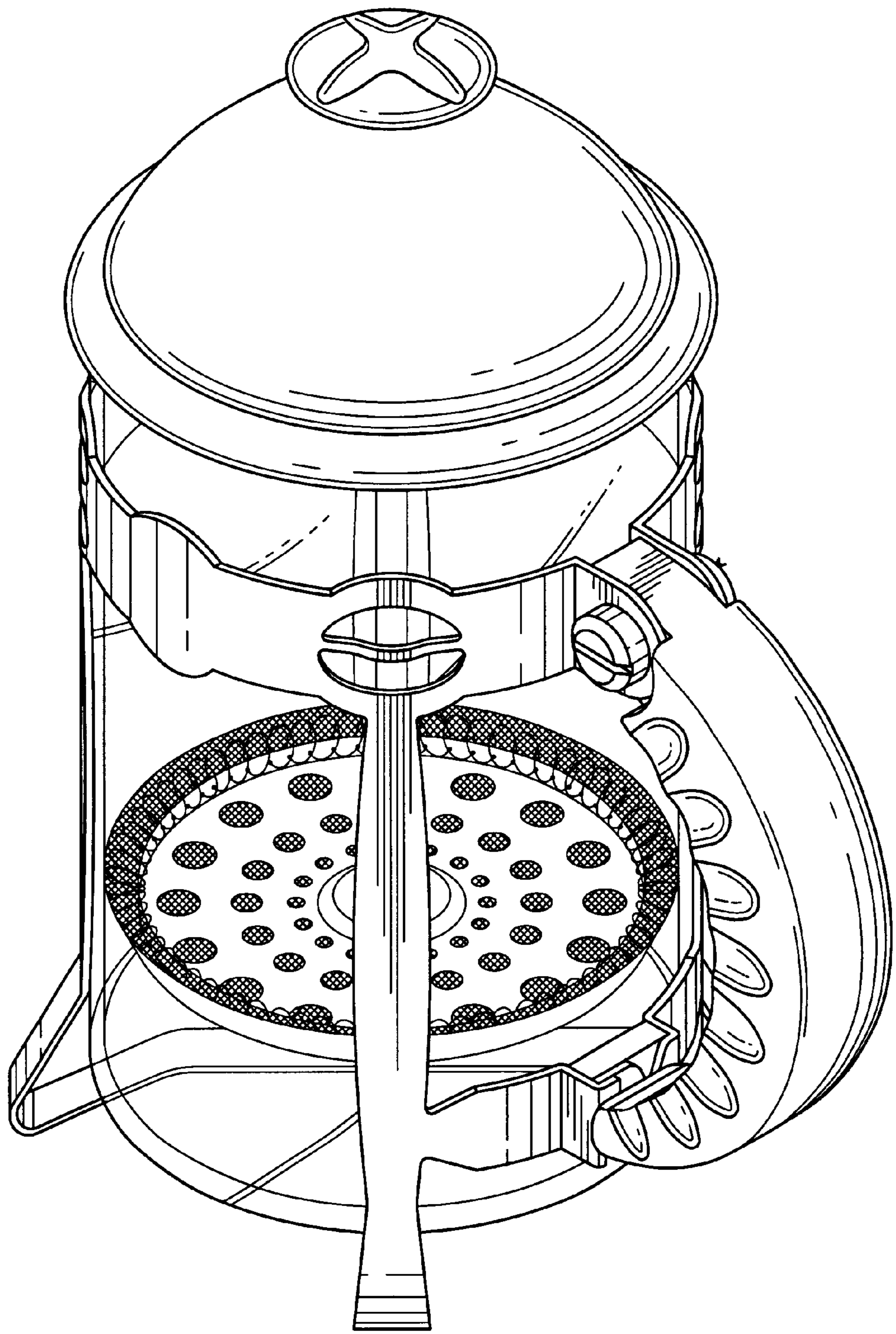


Fig. 1

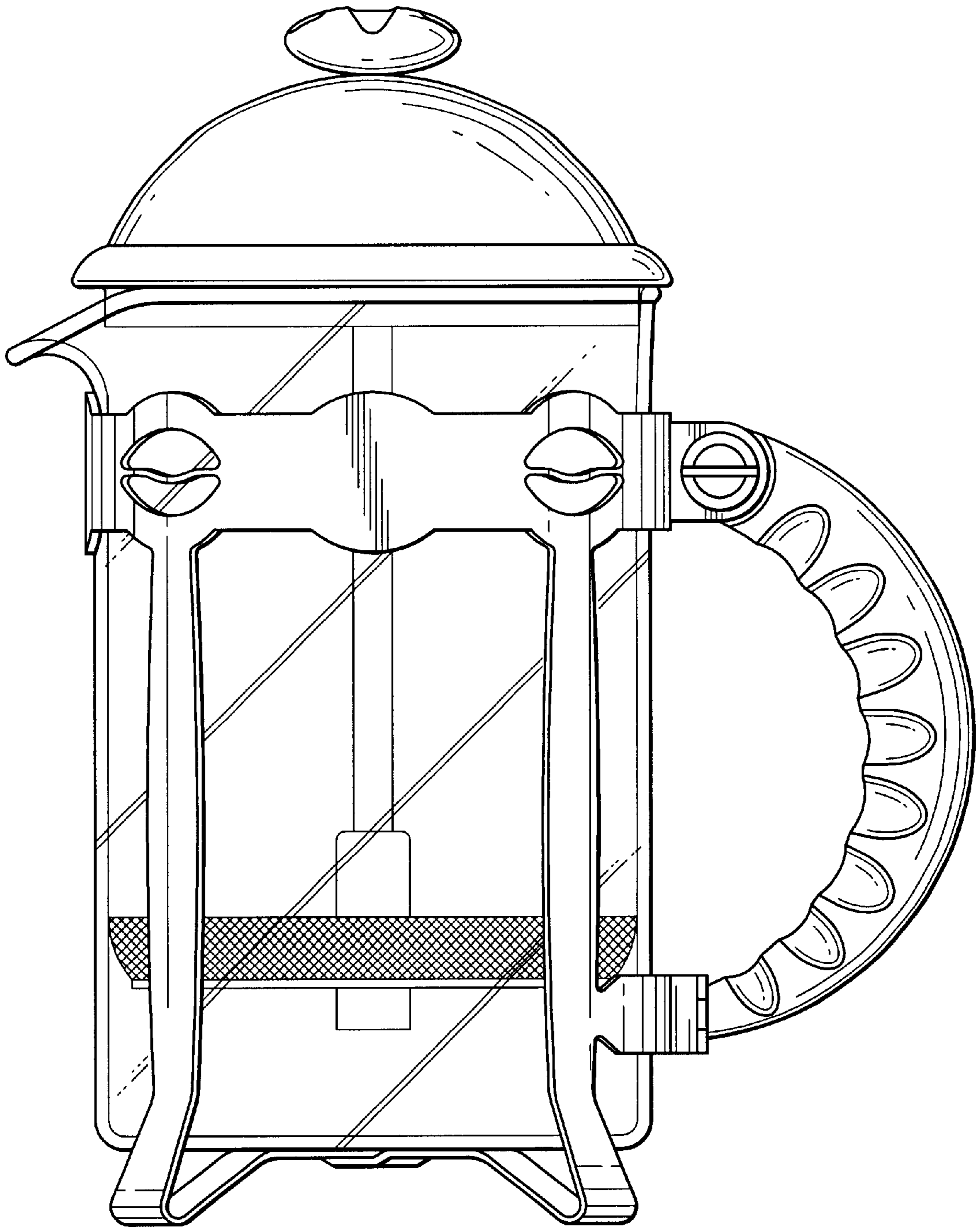


Fig. 2

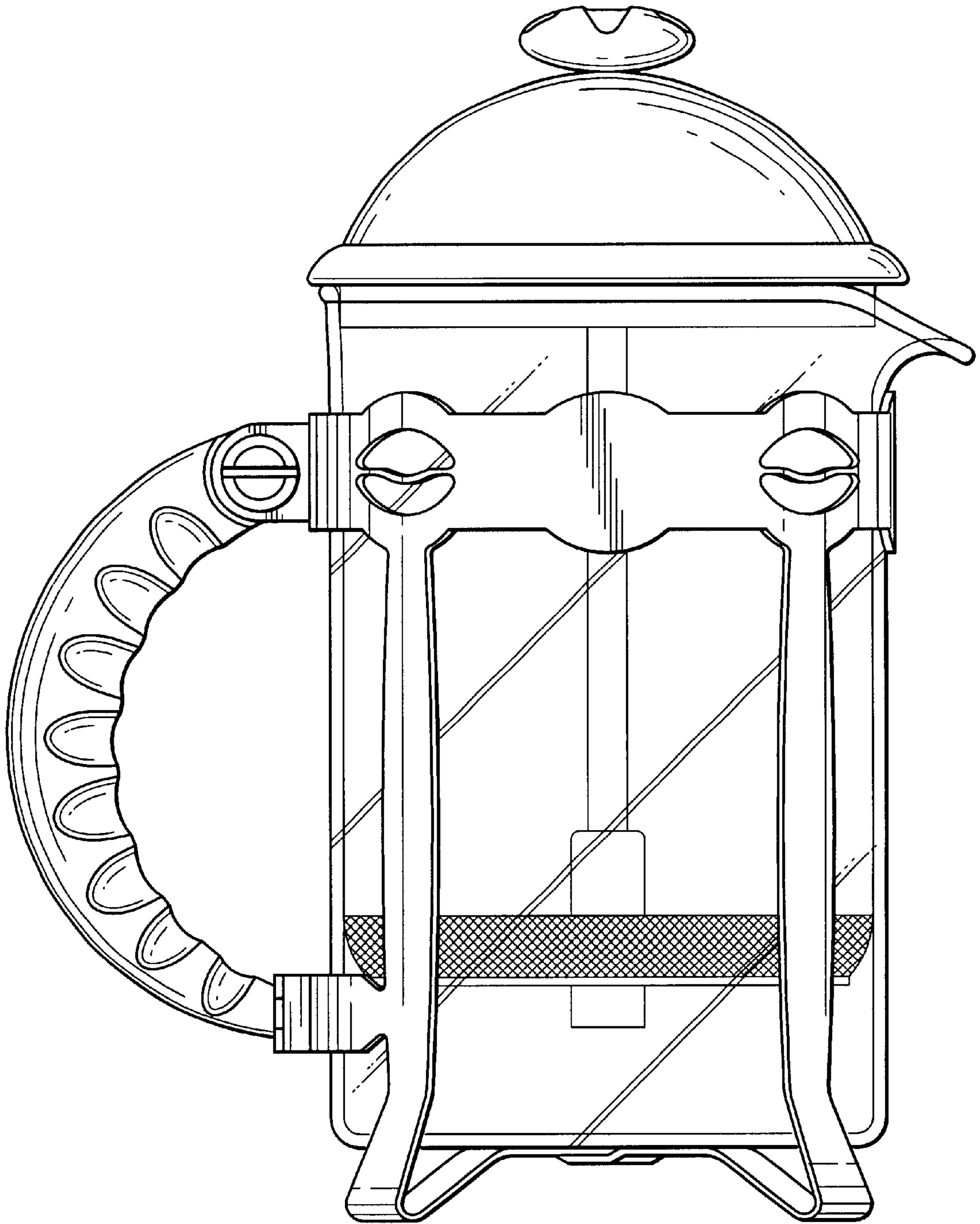


Fig. 3

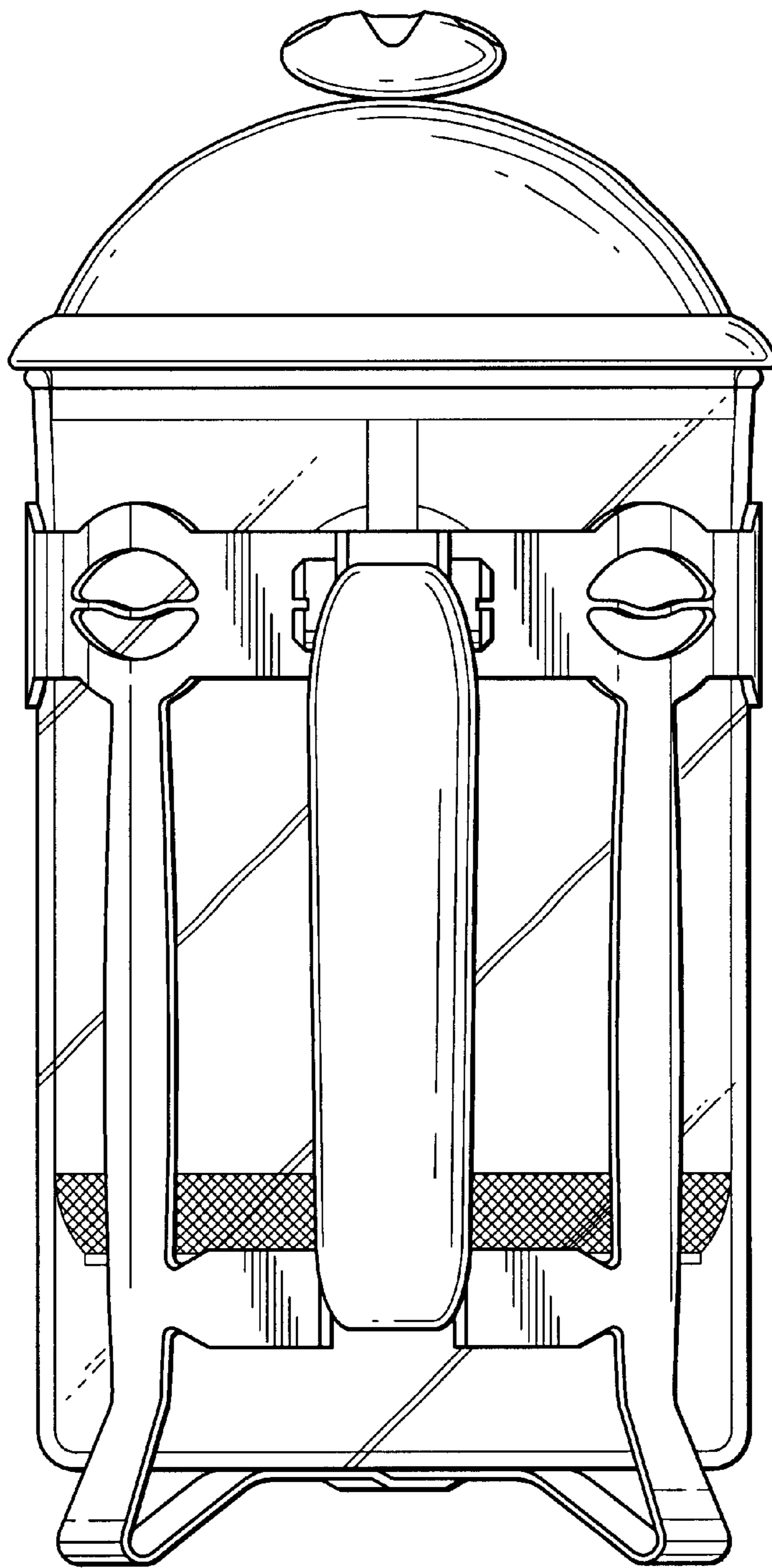


Fig. 4

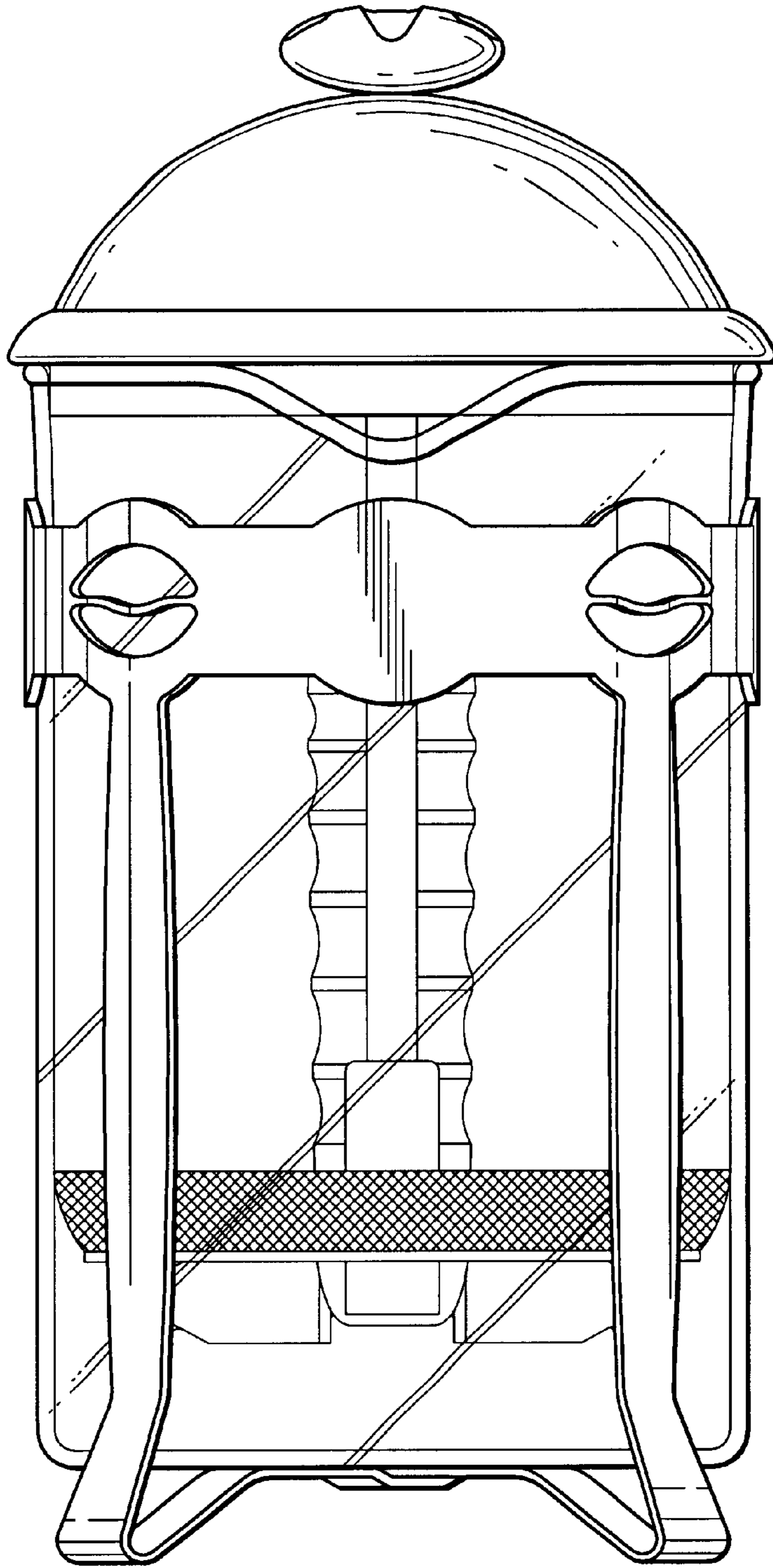


Fig. 5

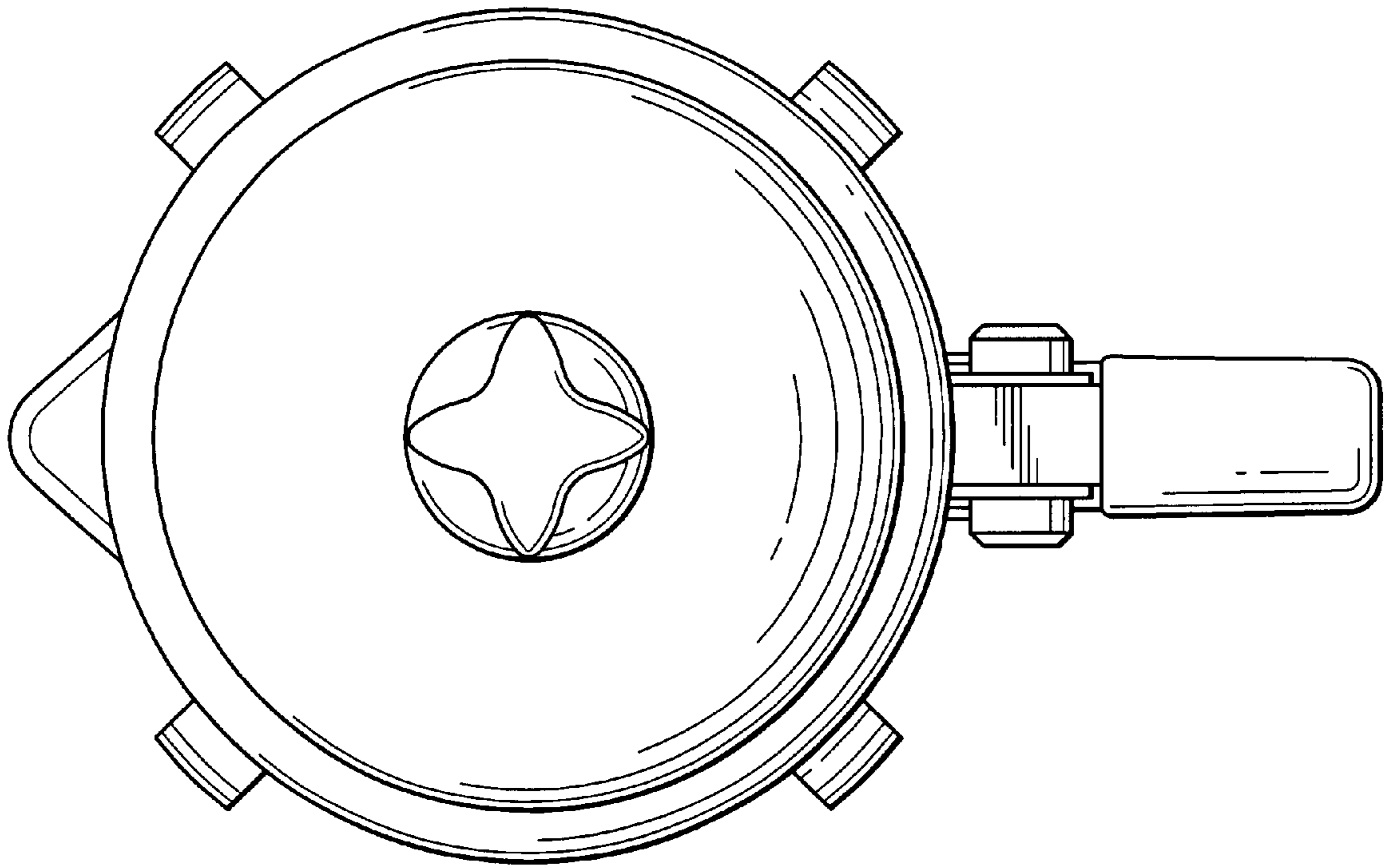


Fig. 6

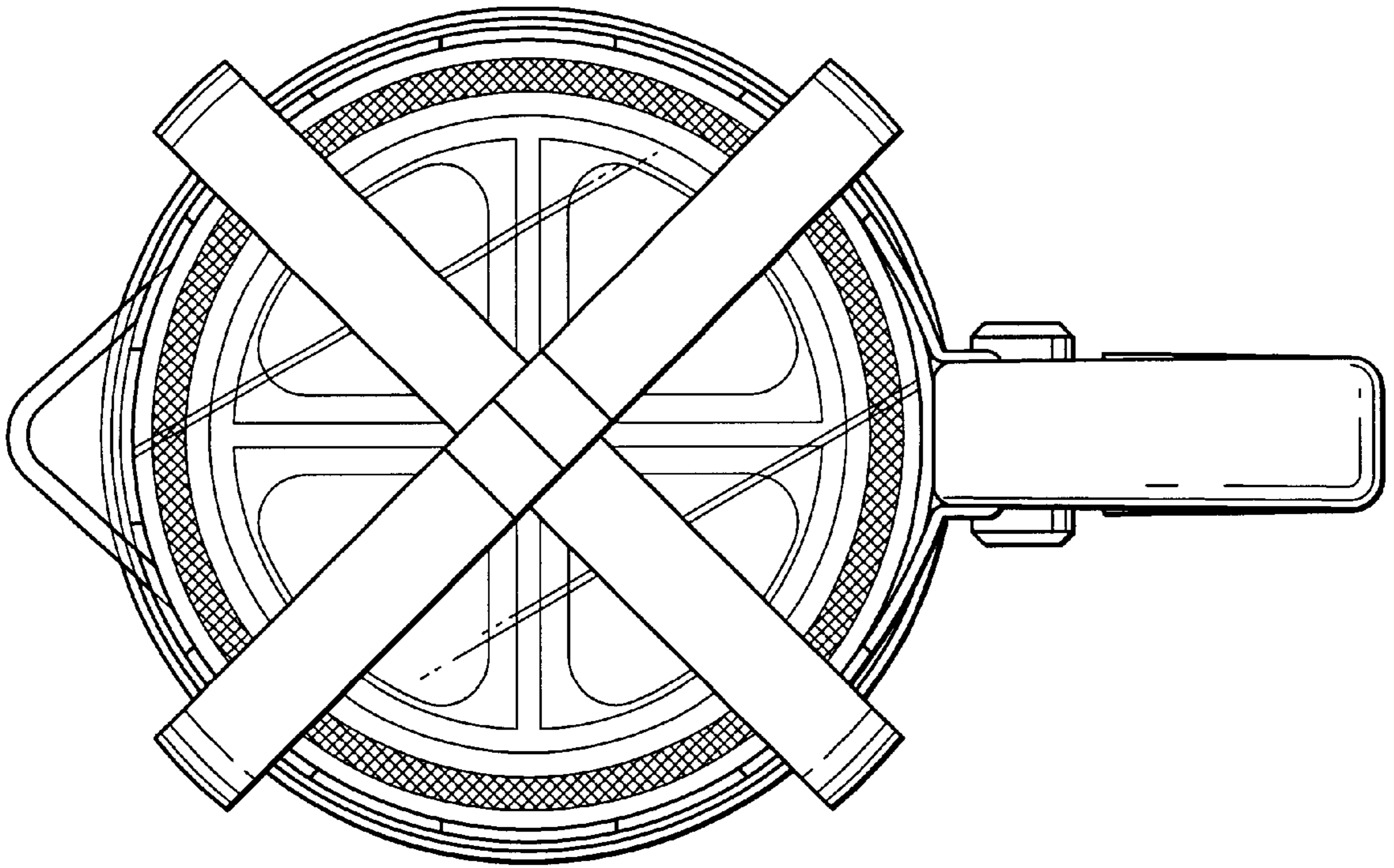


Fig. 7