



US00D448600B1

(12) **United States Design Patent**  
**Sandor et al.**

(10) **Patent No.:** **US D448,600 S**

(45) **Date of Patent:** **\*\* \*Oct. 2, 2001**

(54) **BEVERAGE DISPENSER**

(75) Inventors: **Ellen Sandor; David R. Newman**, both of Atlanta; **Paul A. Phillips**, Marietta, all of GA (US); **Raymond Exton**, Bevon (GB); **Charles C. Keane**, Hingham; **Gustavo Fontana**, Arlington, both of MA (US)

(73) Assignee: **The Coca-Cola Company**, Atlanta, GA (US)

(\*) Notice: This patent is subject to a terminal disclaimer.

(\*\*) Term: **14 Years**

(21) Appl. No.: **29/120,873**

(22) Filed: **Mar. 28, 2000**

(51) **LOC (7) Cl.** ..... **07-01**

(52) **U.S. Cl.** ..... **D7/307; D7/308**

(58) **Field of Search** ..... D7/305, 306, 307, D7/308, 300, 312; 222/131, 146.6, 105, 486; 97/279, 280, 295; 141/1, 174; D20/4

(56) **References Cited**

**U.S. PATENT DOCUMENTS**

D. 258,455	*	3/1981	Stafford	.....	D20/4
D. 302,369	*	7/1989	Schechter et al.	.....	D7/308
D. 311,844	*	11/1990	Chase et al.	.....	D7/308
D. 312,021	*	11/1990	Mohat	.....	D7/308
D. 313,724	*	1/1991	Pinon	.....	D7/308
D. 333,405	*	2/1993	Moyer, Jr. et al.	.....	D7/308

D. 335,062	*	4/1993	Kolada et al.	.....	D7/308
D. 343,332	*	1/1994	Schroeder et al.	.....	D7/308
D. 381,857	*	8/1997	Swaim	.....	D7/307
D. 389,693	*	1/1998	Hawkins, Jr. et al.	.....	D7/308
D. 395,975	*	7/1998	Munoz	.....	D7/308
D. 407,594	*	4/1999	Jones et al.	.....	D7/307
4,304,341	*	12/1981	Shirley	.....	22/131
4,550,652	*	11/1985	Silva	.....	99/279

\* cited by examiner

*Primary Examiner*—M. N. Pandozzi

(74) *Attorney, Agent, or Firm*—Michael V. Kruljac

(57) **CLAIM**

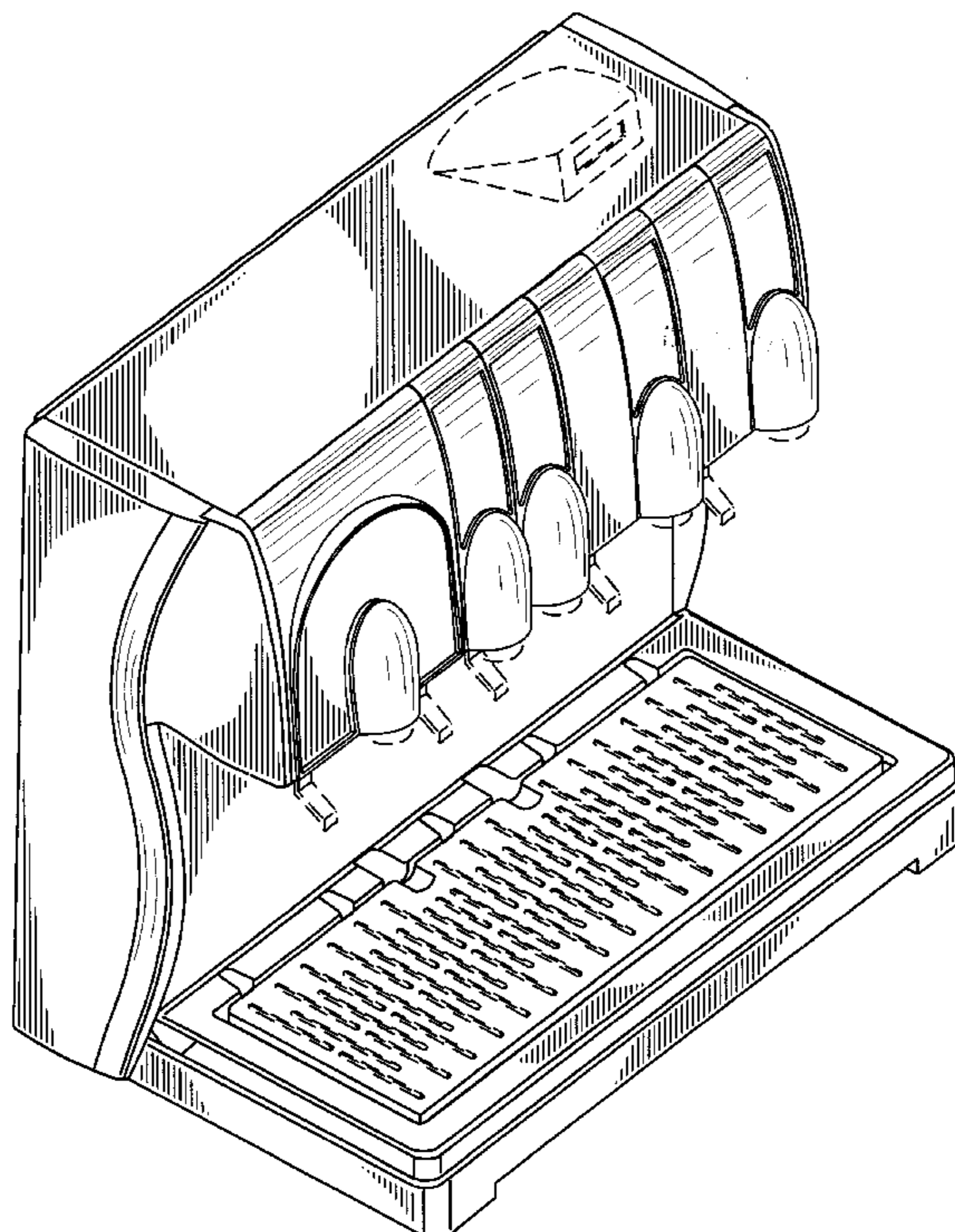
We claim the ornamental design for a beverage dispenser, as shown.

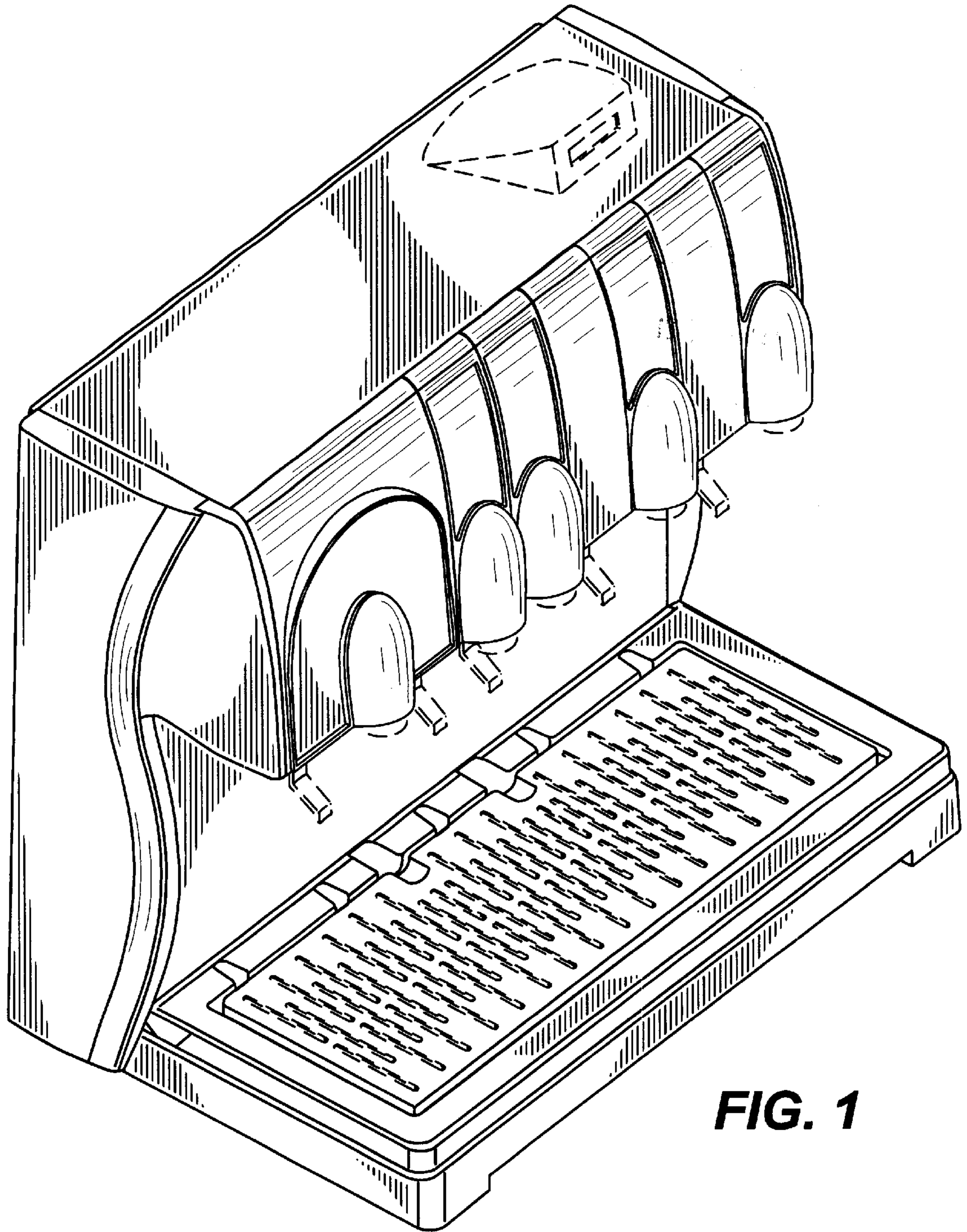
**DESCRIPTION**

FIG. 1 is a top front left side perspective view of a beverage dispenser showing our new design;  
 FIG. 2 is a front elevational view thereof;  
 FIG. 3 is a left side elevational view thereof;  
 FIG. 4 is a rear elevational view thereof; and  
 FIG. 5 is a top plan view thereof;  
 FIG. 6 is a top, front, left side perspective view showing a second embodiment of our new design;  
 FIG. 7 is a front elevational view thereof;  
 FIG. 8 is a left side elevational view thereof;  
 FIG. 9 is a rear elevational view thereof; and,  
 FIG. 10 is a top plan view thereof.

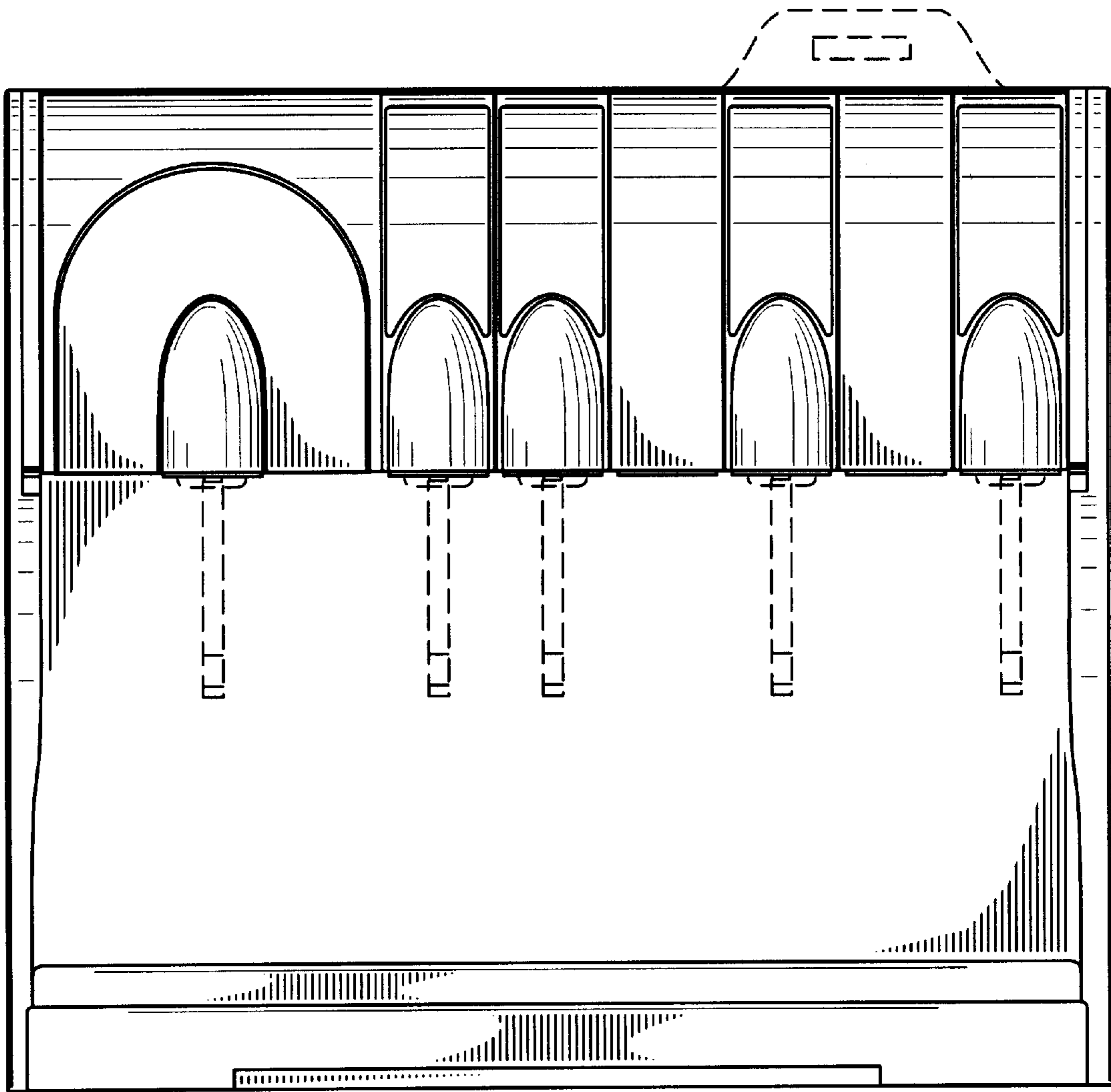
The broken lines are for illustrative purposes only and form no part of the claimed design.

**1 Claim, 8 Drawing Sheets**



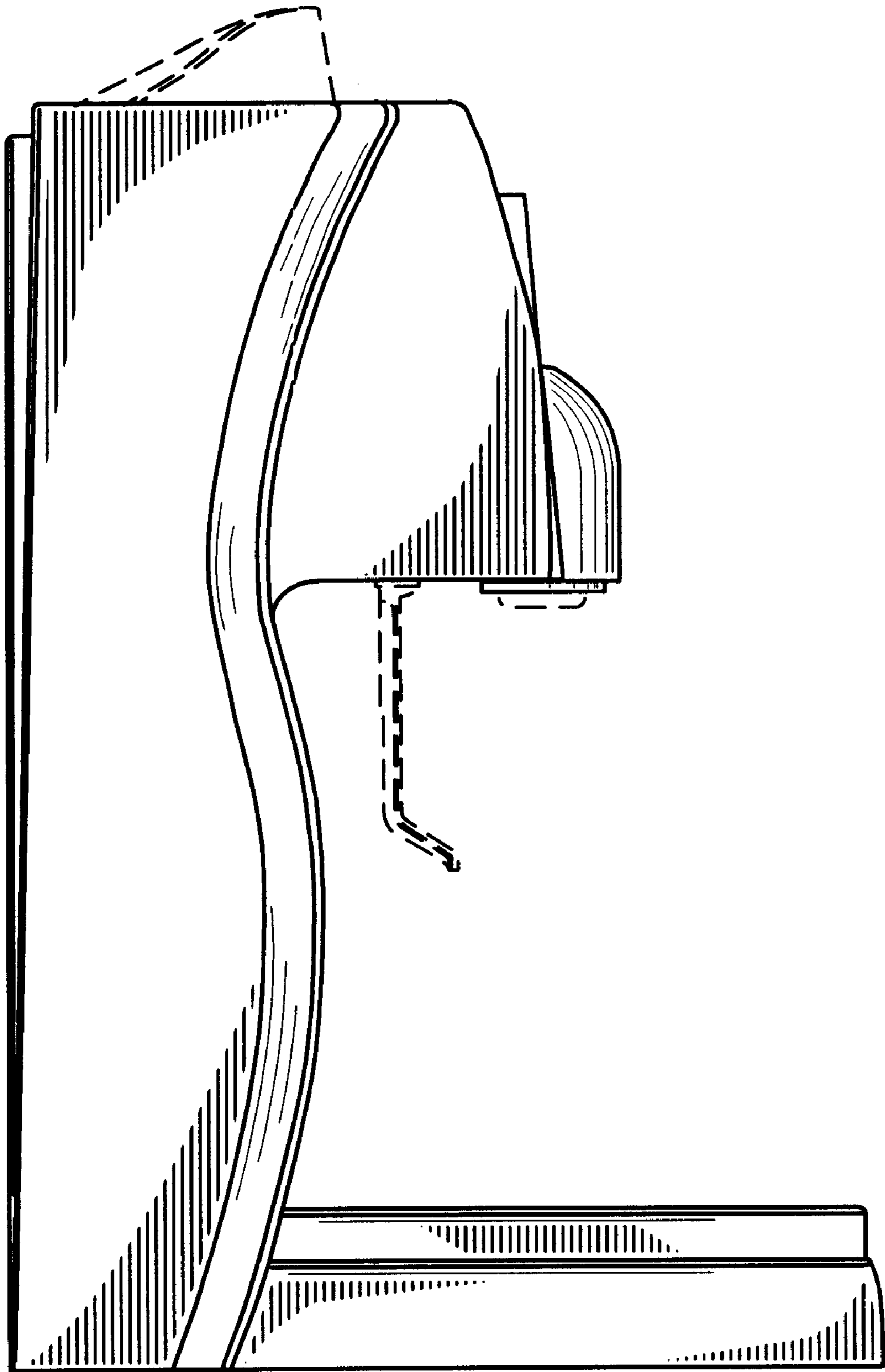


**FIG. 1**

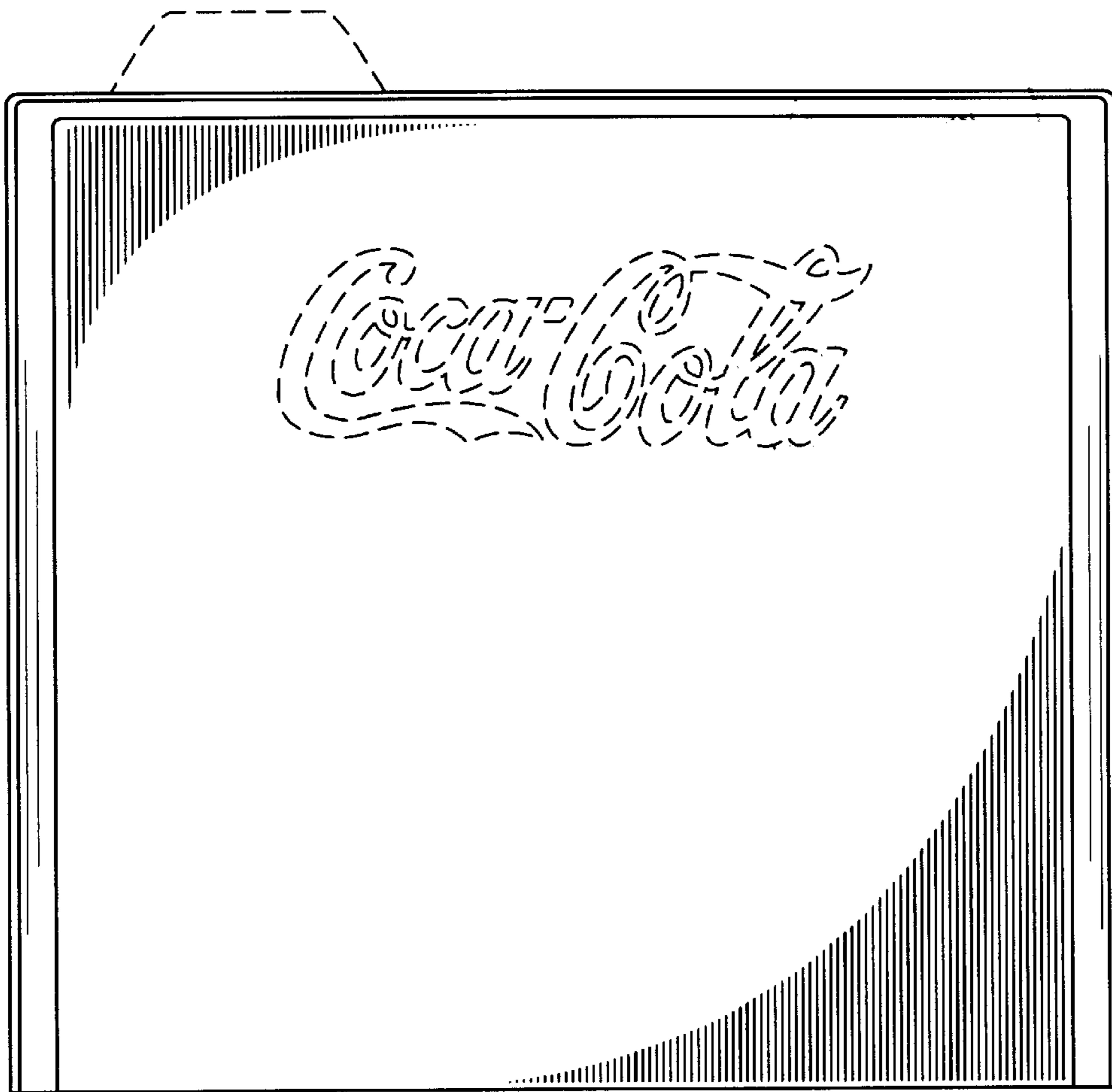


**FIG. 2**

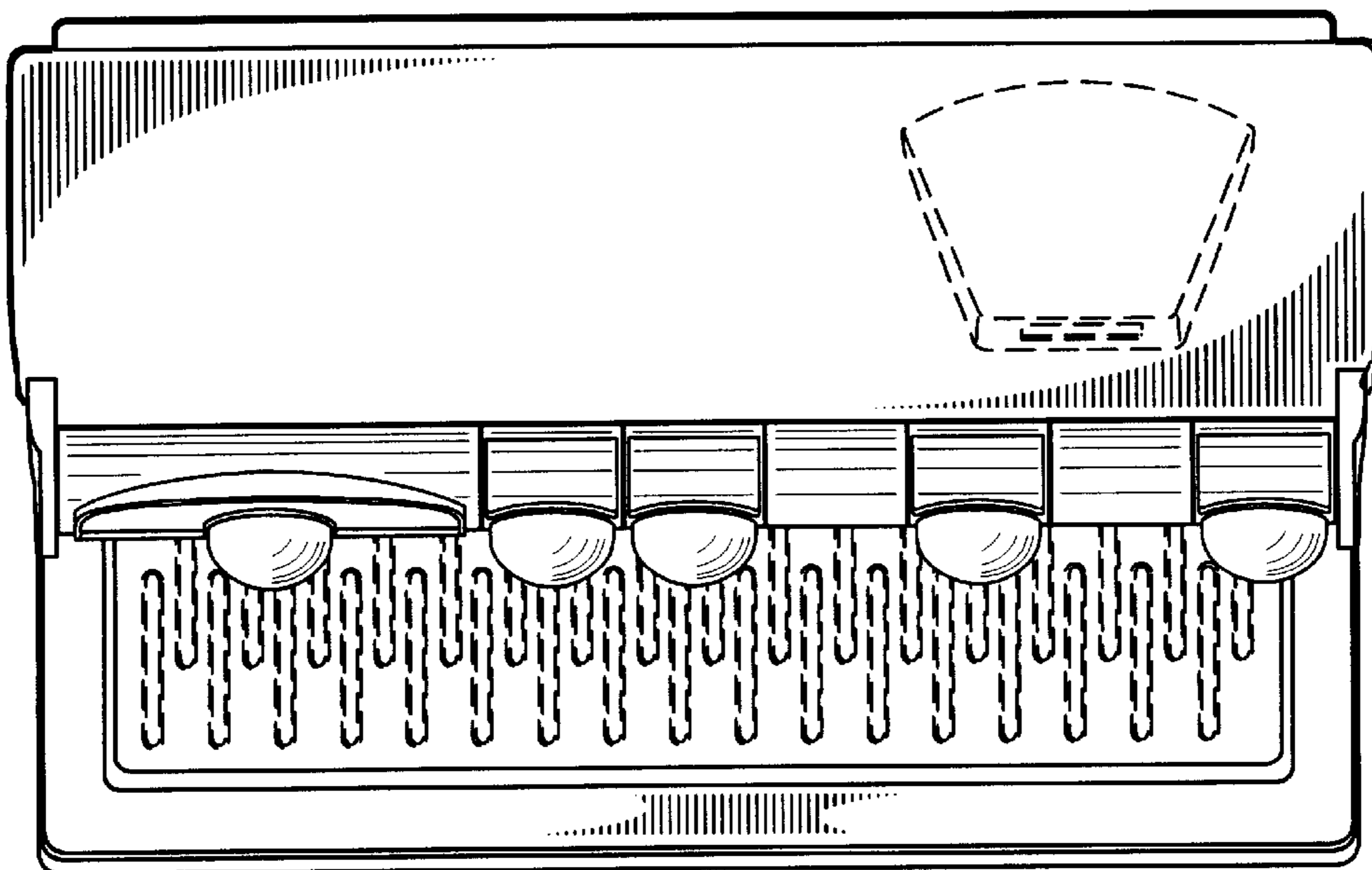




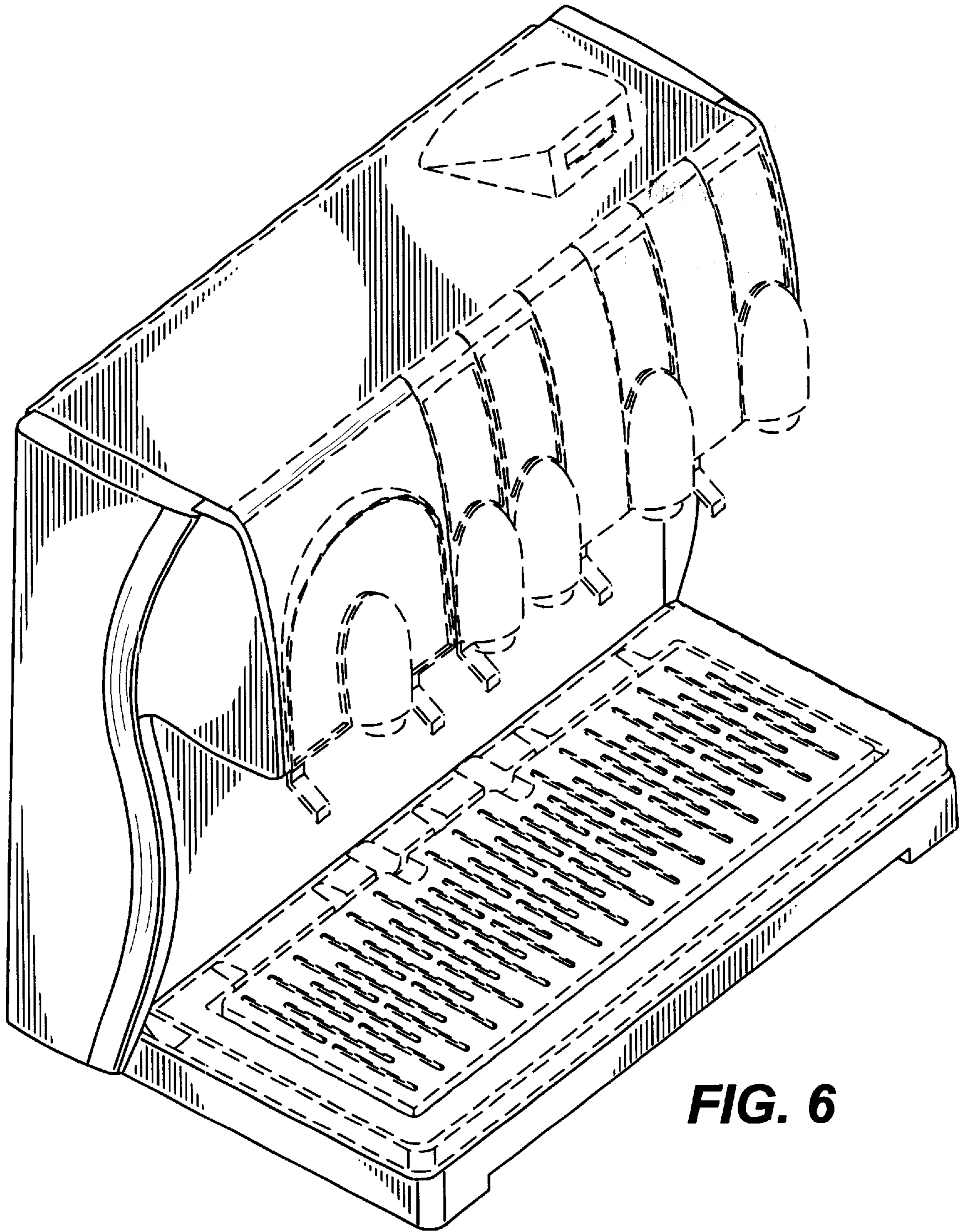
**FIG. 3**



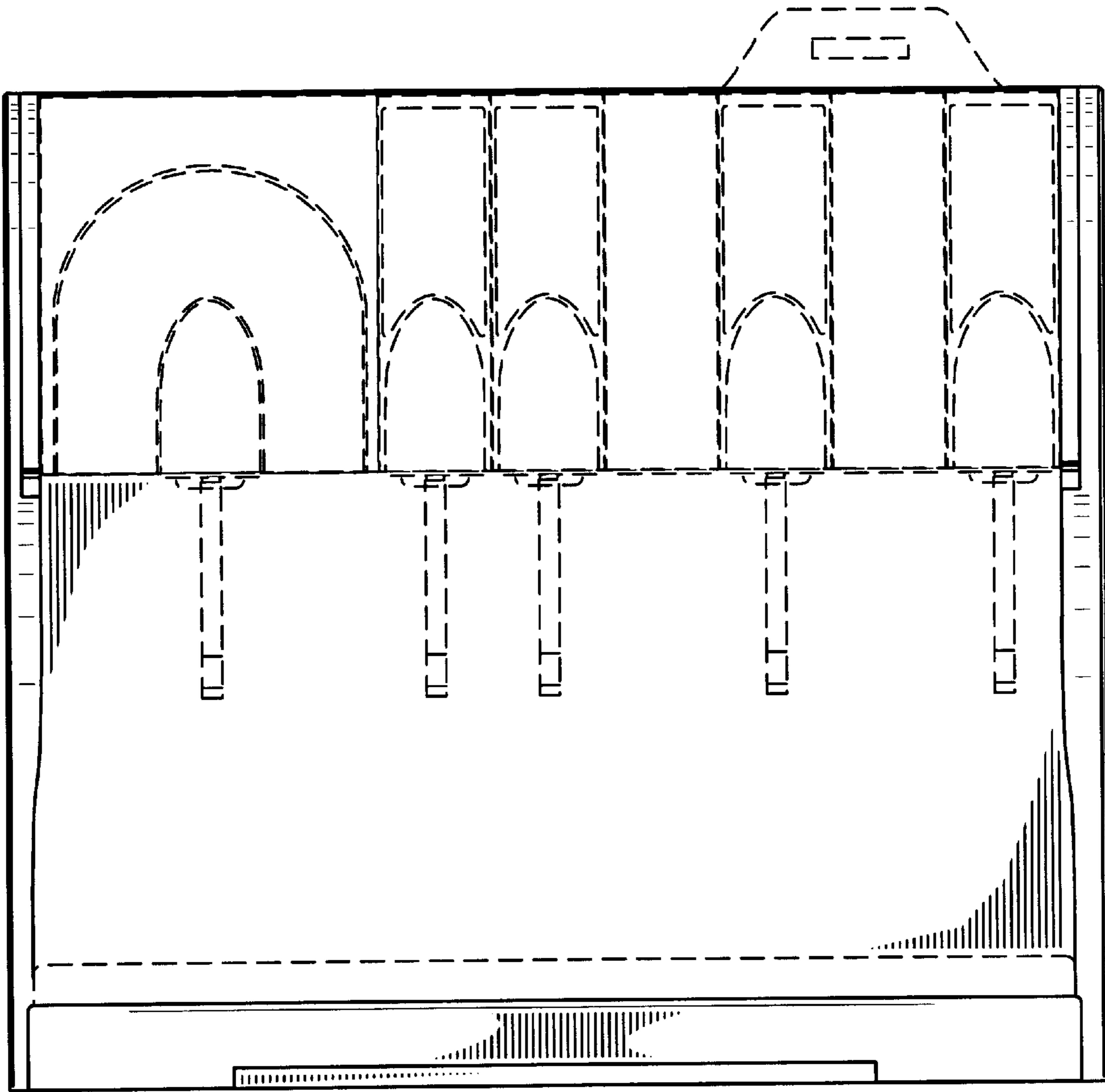
**FIG. 4**



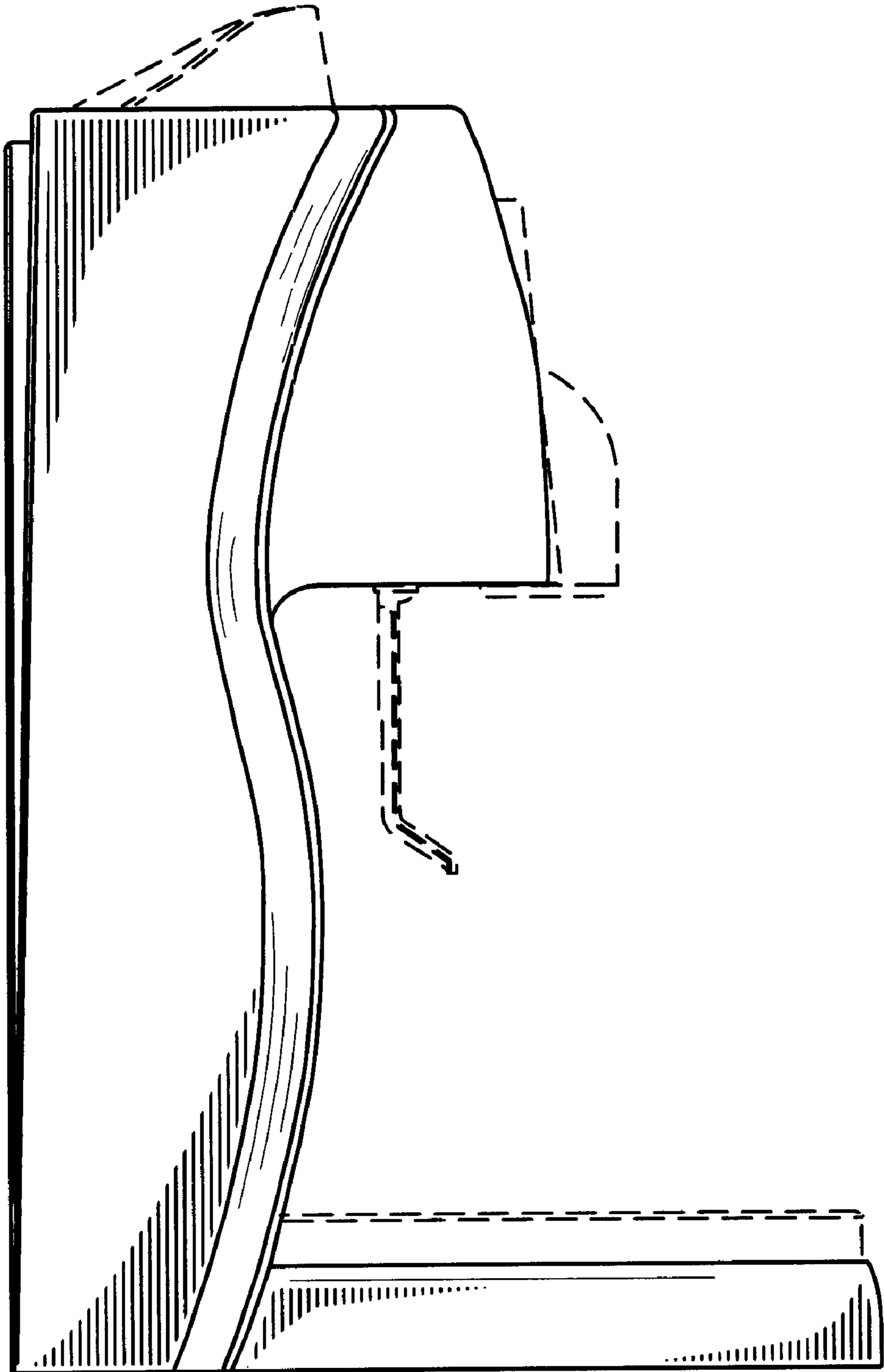
**FIG. 5**



**FIG. 6**

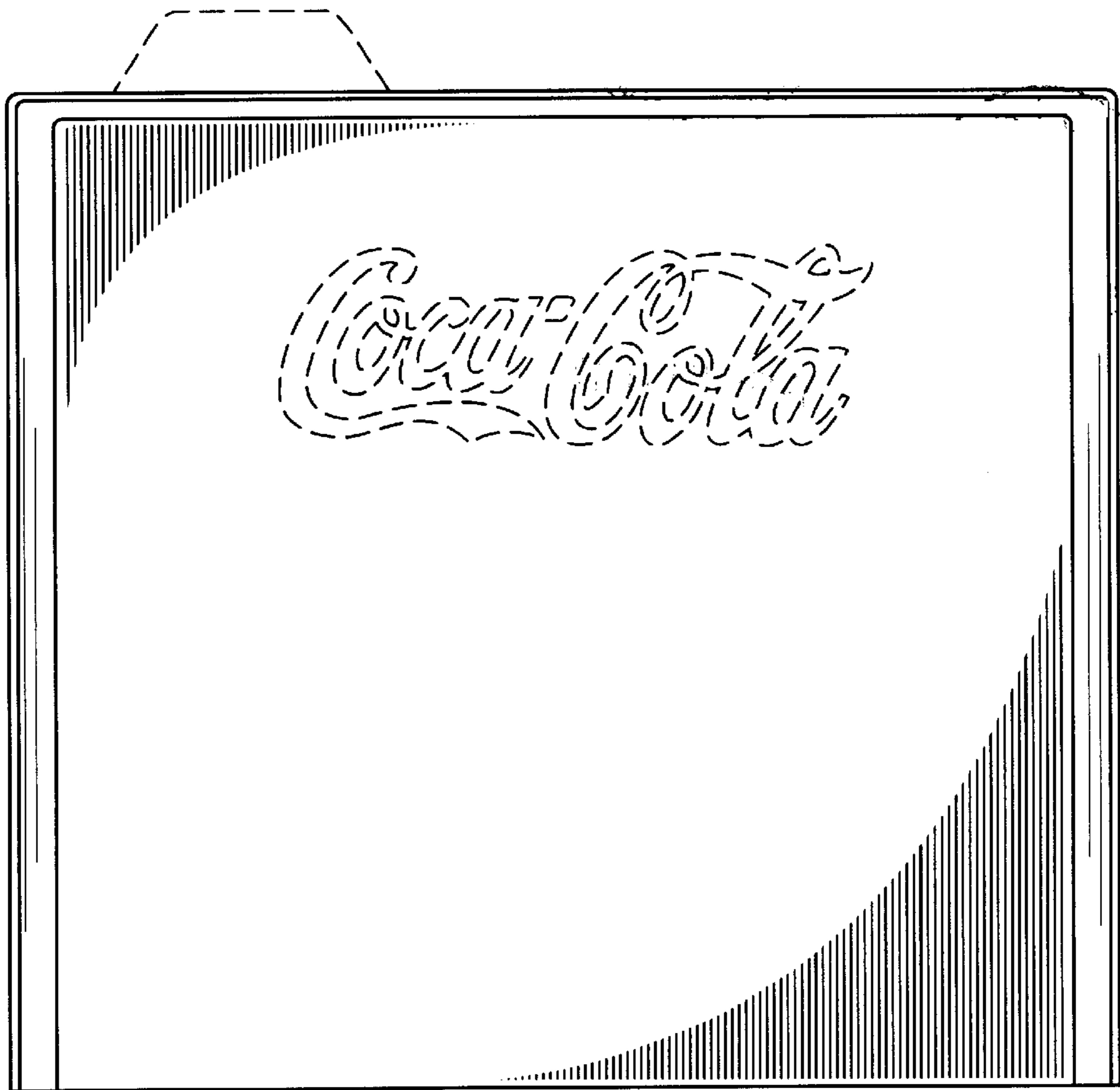


**FIG. 7**

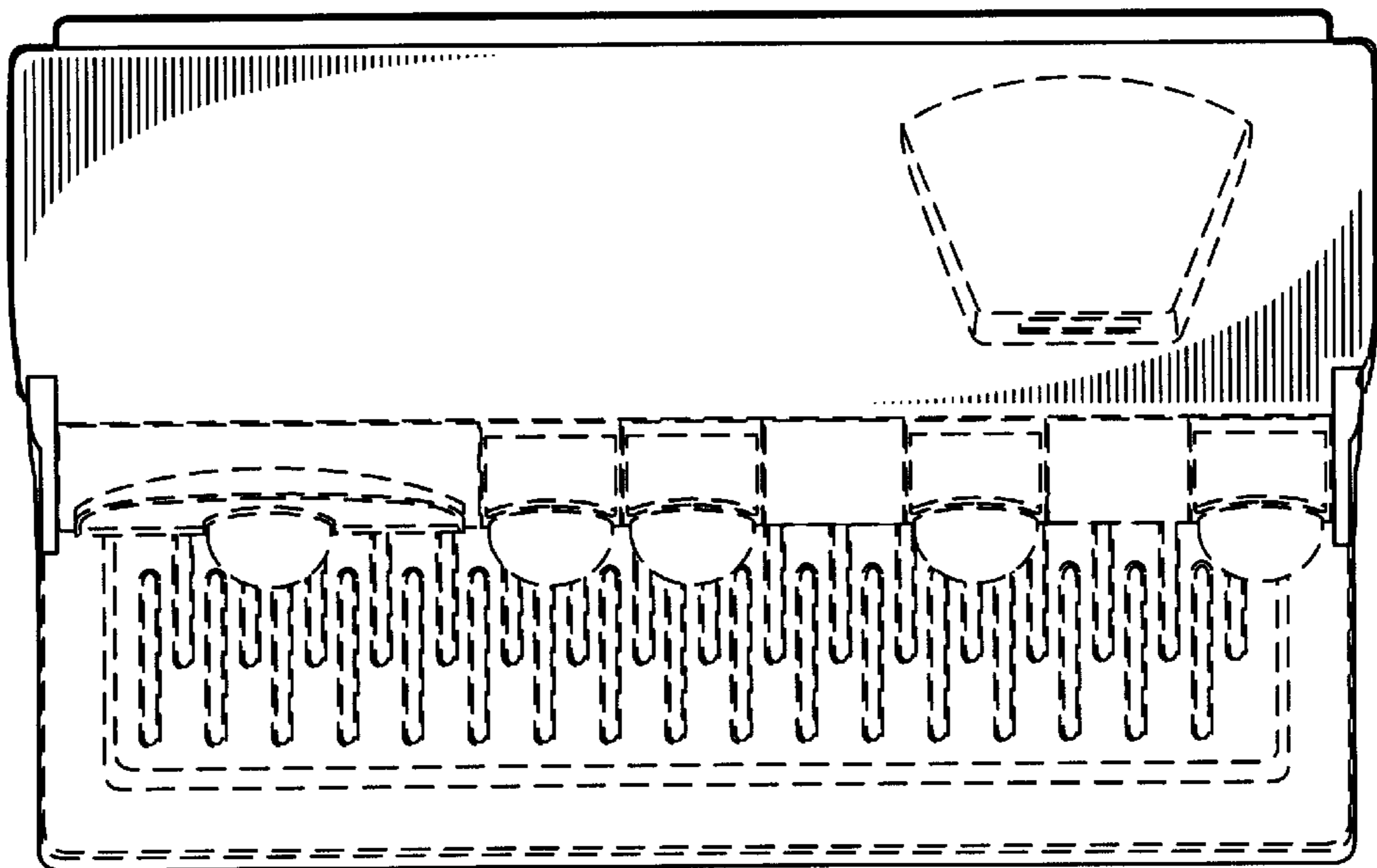


**FIG. 8**





**FIG. 9**



**FIG. 10**