



US00D448599B1

(12) **United States Design Patent**
de Gruchy et al.

(10) **Patent No.: US D448,599 S**

(45) **Date of Patent: ** Oct. 2, 2001**

(54) **DISC OR CARD HOLDER**
(75) Inventors: **Gordon Harold de Gruchy**, Grouville;
Francis John Venton, St. Brelade, both
of (GB)

4,387,807 * 6/1983 Rosa 206/312
5,322,162 * 6/1994 Melk 206/310
5,609,249 * 3/1997 Cheng 206/308.1
5,715,938 * 2/1998 Cheris et al. 206/308.1
6,021,894 * 2/2000 Lakoski et al. 206/308.1

(73) Assignee: **LeisureStats Holdings Limited**, Jersey
(GB)

* cited by examiner

(**) Term: **14 Years**

Primary Examiner—Celia Murphy

(21) Appl. No.: **29/115,973**

(74) *Attorney, Agent, or Firm*—Holland & Knight LLP

(22) Filed: **Dec. 22, 1999**

(57) **CLAIM**

(30) **Foreign Application Priority Data**

The ornamental design for a disc or card holder, as shown.

Jun. 29, 1999 (GB) 2084457

DESCRIPTION

(51) **LOC (7) Cl.** **06-04**

FIG. 1 is a perspective view of a disc or card holder showing our new design;

(52) **U.S. Cl.** **D6/632; D6/407; D6/634; D6/635**

FIG. 2 is a top plan view thereof, shown in a closed condition;

(58) **Field of Search** D6/407, 408, 626–635;
D19/32, 33, 75; 206/307, 308.1, 308.3,
309, 310, 312

FIG. 3 is a perspective view thereof, shown disassembled;

FIG. 4 is a top plan view of the base component;

FIG. 5 is a side elevational view of FIG. 4, the opposite side being a mirror image;

FIG. 6 is a top plan view of the lid component; and,

FIG. 7 is a side view of FIG. 6, the opposite side being a mirror image.

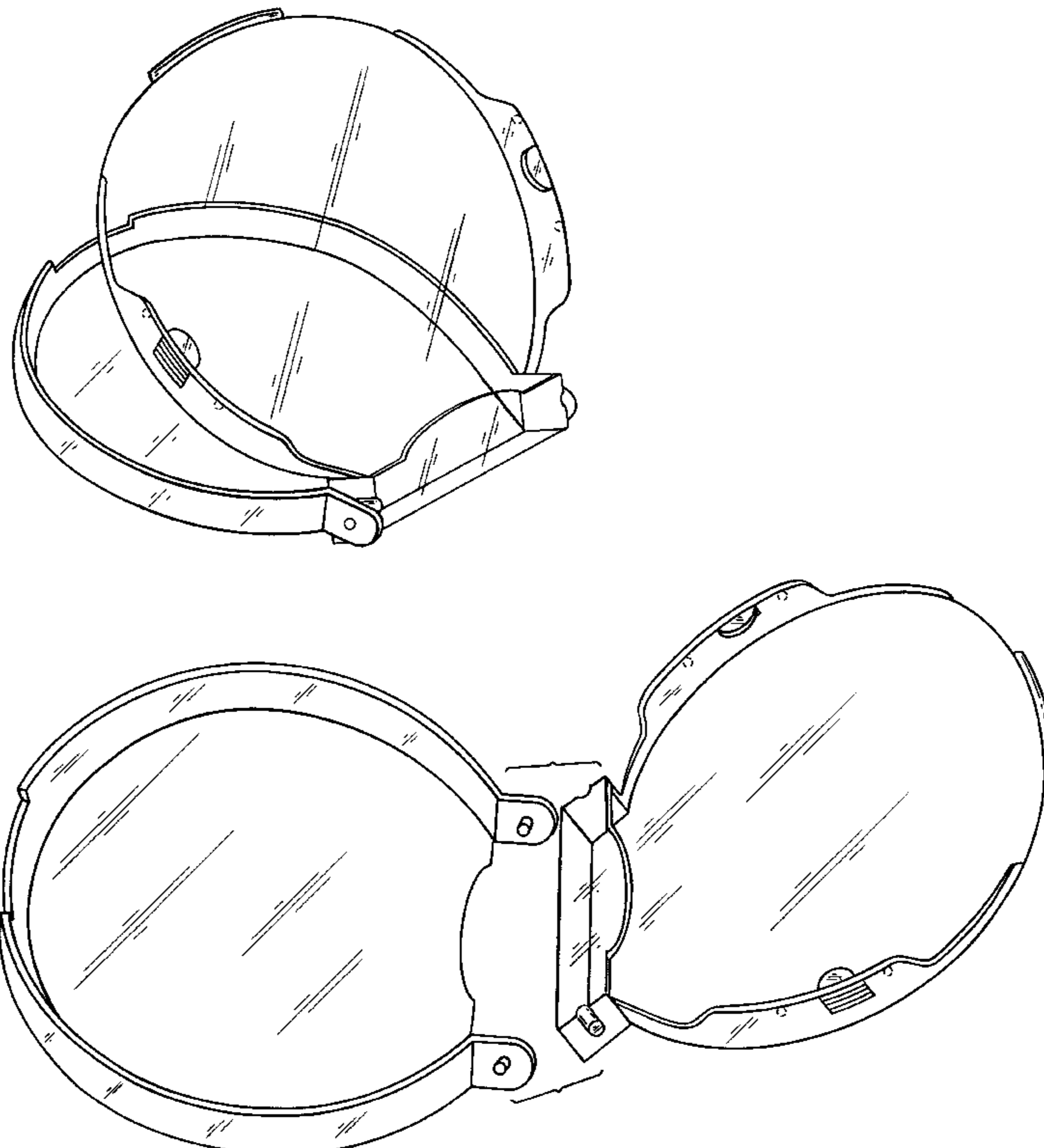
(56) **References Cited**

U.S. PATENT DOCUMENTS

D. 323,061 * 1/1992 Takahashi et al. D14/121
D. 387,217 * 12/1997 Lakoski et al. D6/407
D. 401,463 * 11/1998 Cheris et al. D6/634
D. 414,977 * 10/1999 Hales et al. D6/631
3,547,342 * 12/1970 Smith et al. 206/312

The four lugs featured on the sides of the top of the disc or card holder as shown in FIGS. 1, 2, 3, 6, and 7 are for illustrative purposes only and forms no part of the claimed design.

1 Claim, 4 Drawing Sheets



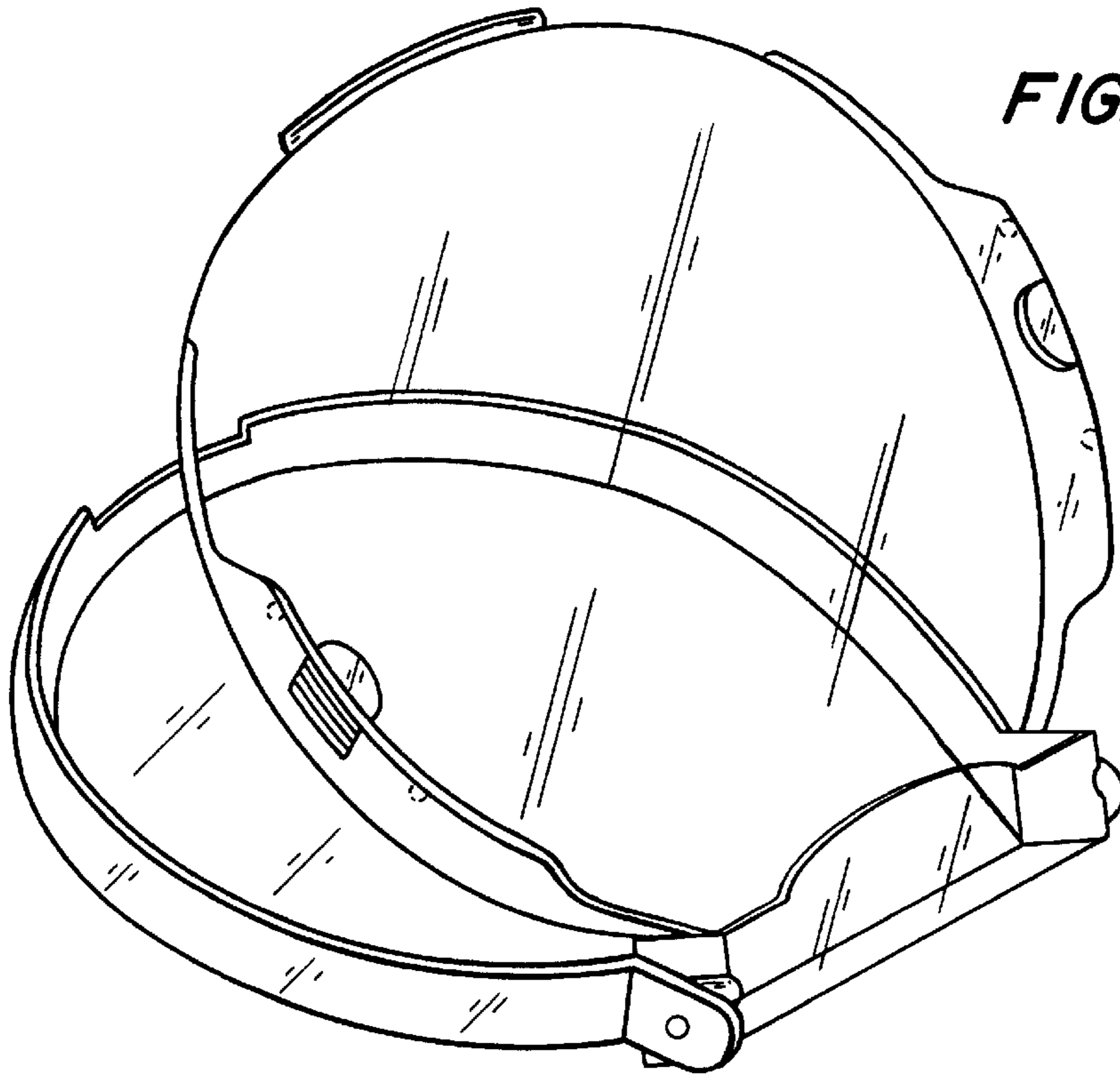


FIG. 1

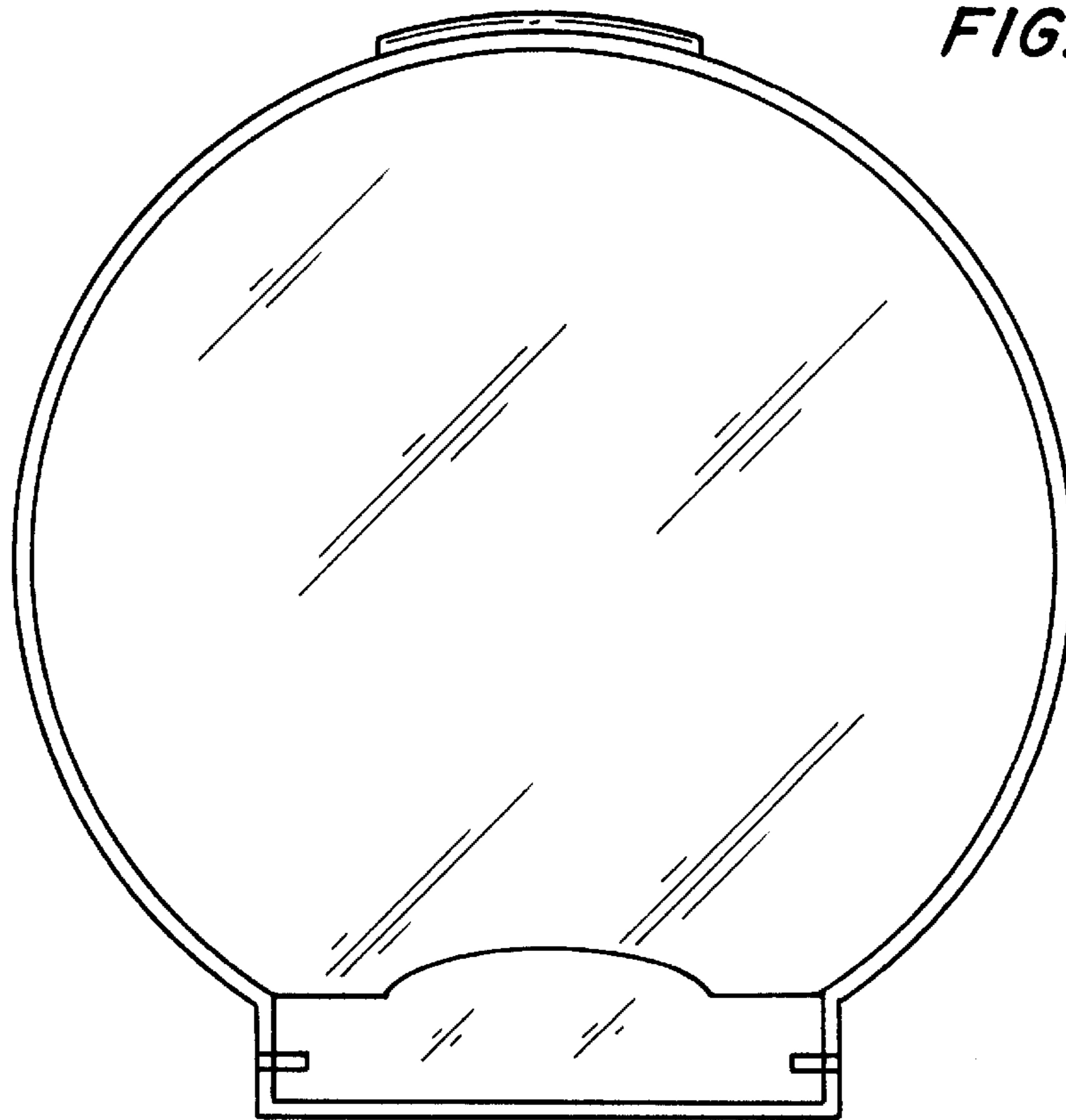
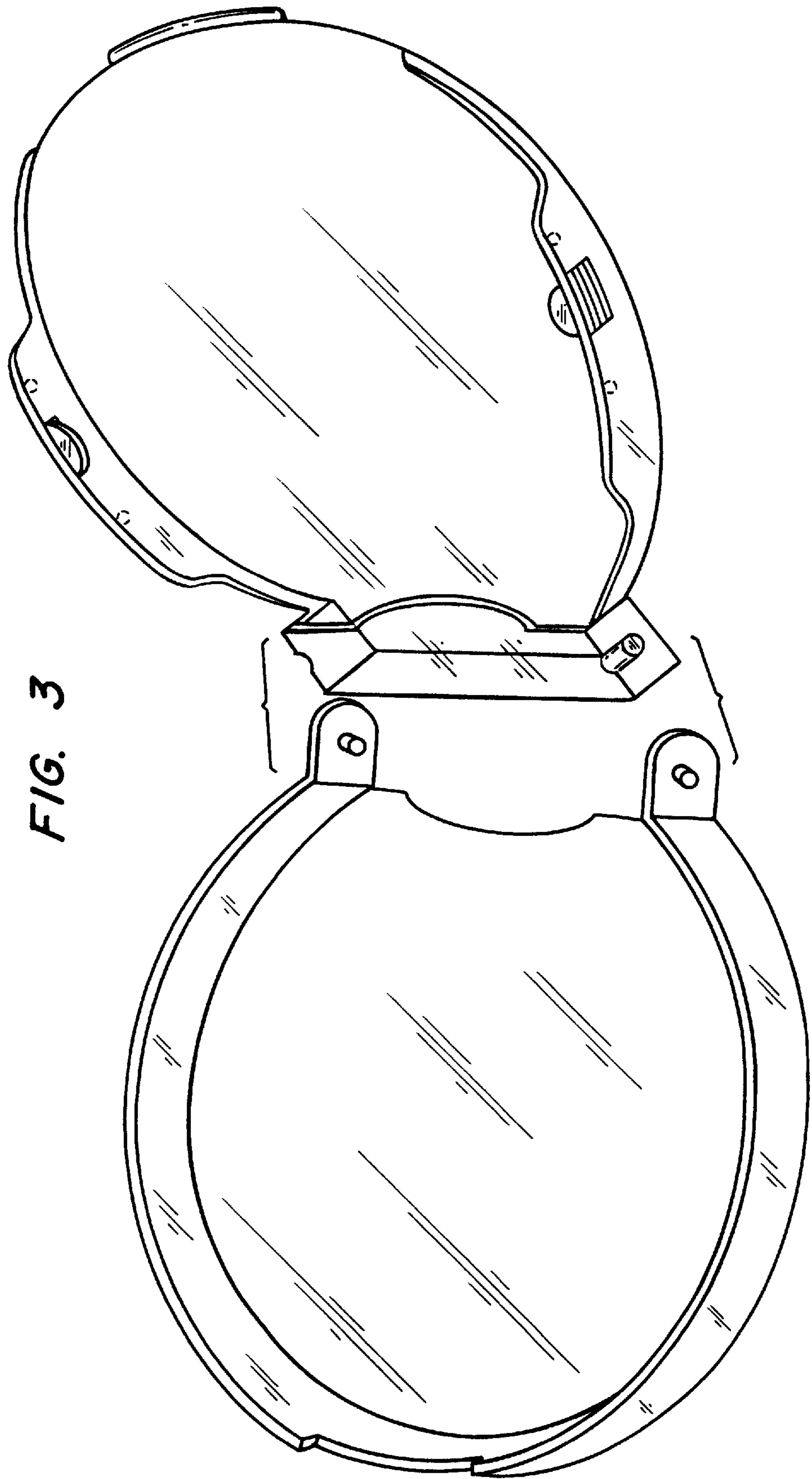


FIG. 2



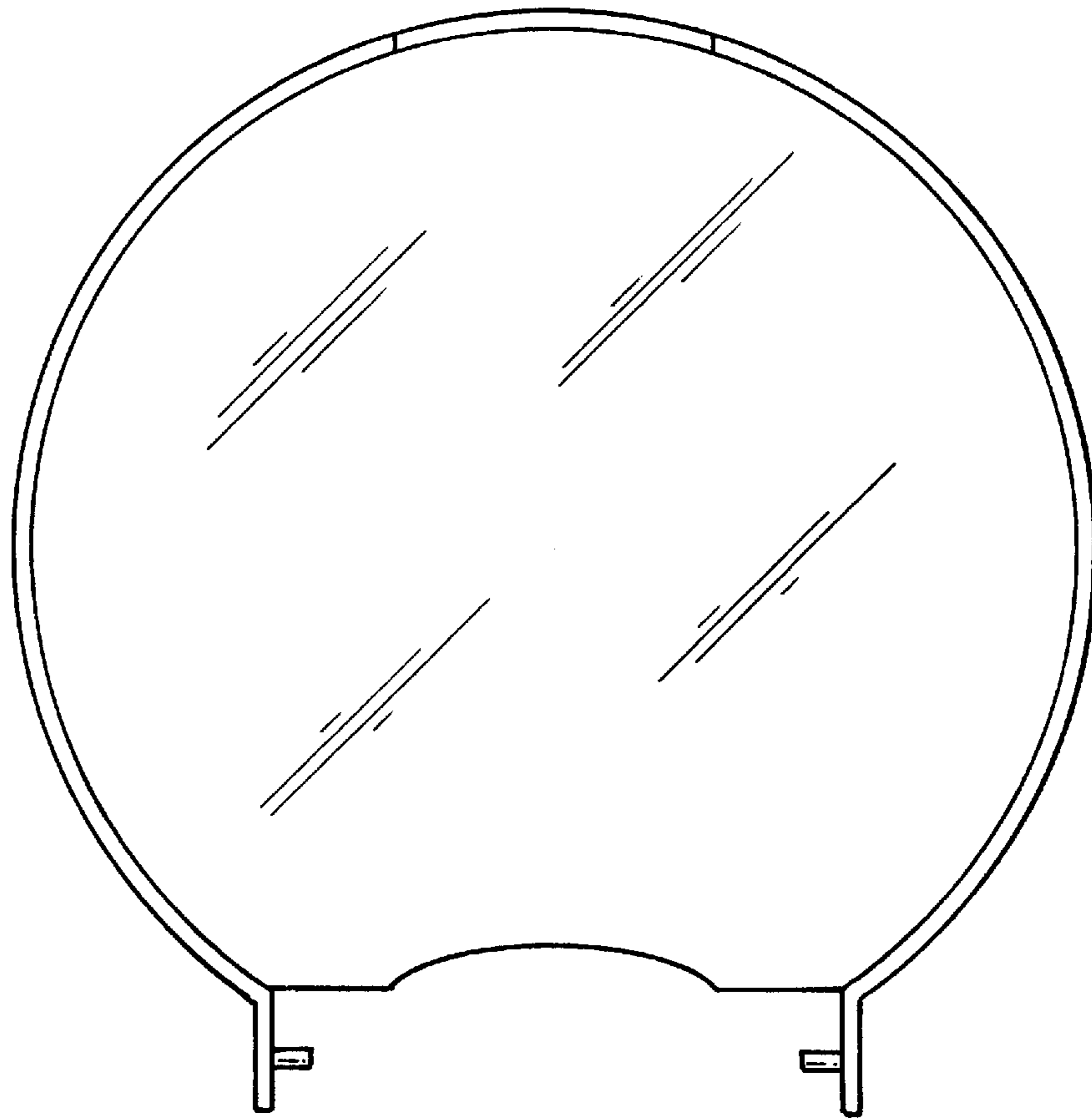


FIG. 4

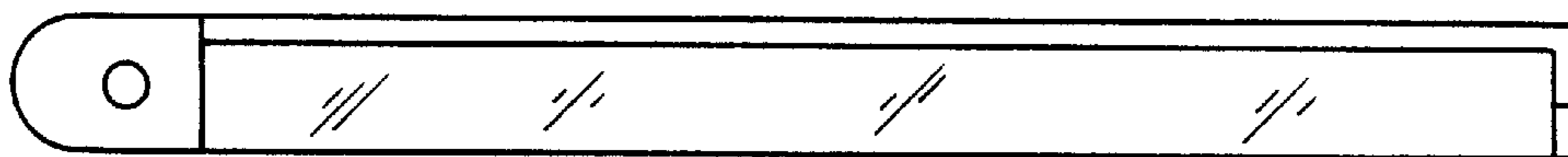


FIG. 5

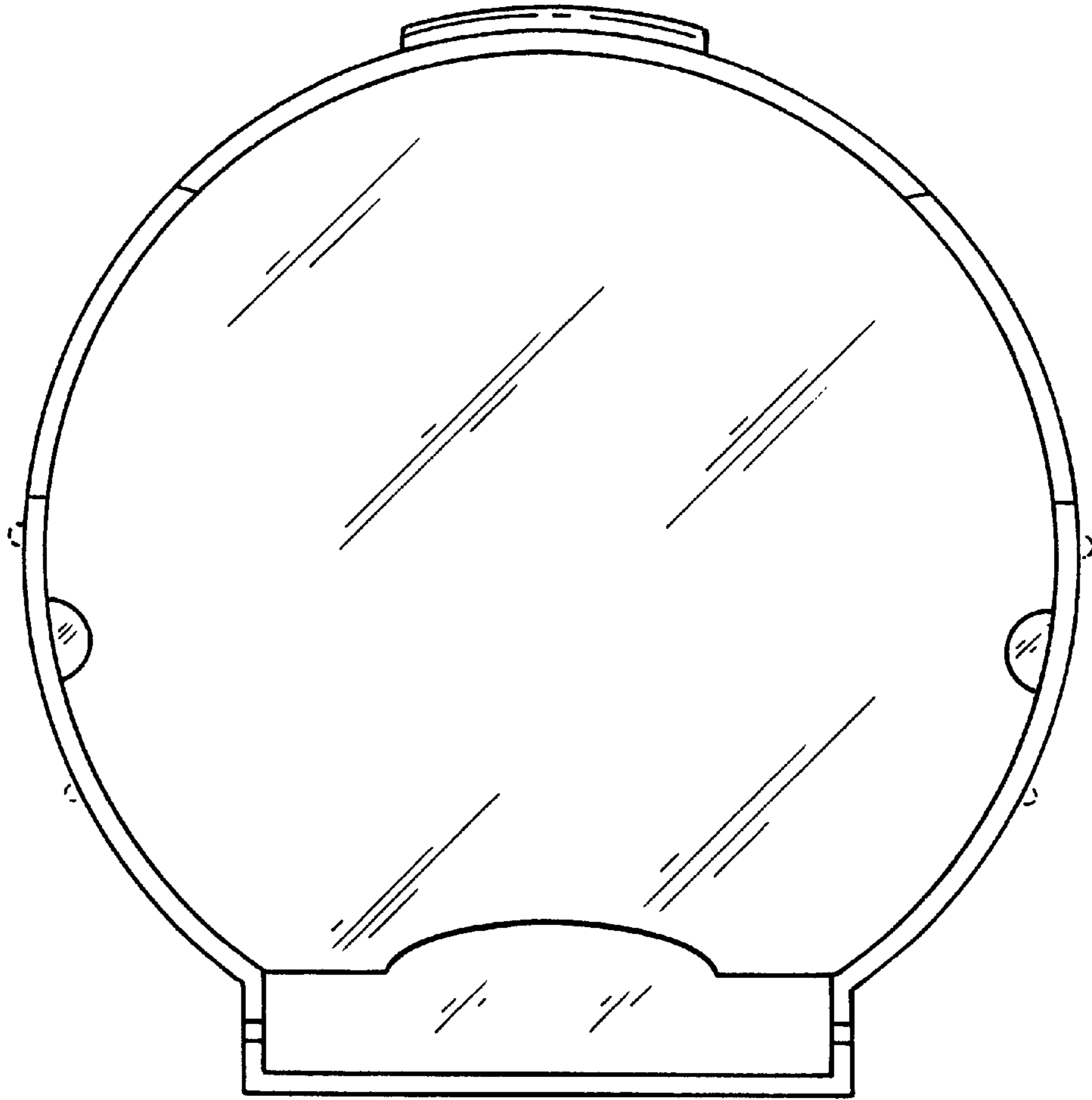


FIG. 6



FIG. 7