



US00D448594B1

(12) **United States Design Patent**
Throne

(10) **Patent No.:** **US D448,594 S**

(45) **Date of Patent:** **** Oct. 2, 2001**

(54) **TAILLESS VANE FOR USE IN COVERINGS FOR ARCHITECTURAL OPENINGS**

(75) **Inventor:** **Jason T. Throne**, Steamboat Springs, CO (US)

(73) **Assignee:** **Hunter Douglas Inc.**, Upper Saddle River, NJ (US)

(**) **Term:** **14 Years**

(21) **Appl. No.:** **29/135,075**

(22) **Filed:** **Jan. 4, 2001**

Related U.S. Application Data

(62) Division of application No. 29/128,537, filed on Aug. 25, 2000, now Pat. No. Des. 439,784, which is a division of application No. 09/256,129, filed on Feb. 24, 1999, now Pat. No. 6,170,552, which is a continuation of application No. 08/853,307, filed on May 8, 1997, now Pat. No. 5,960,850, which is a continuation of application No. 08/437,959, filed on May 10, 1995, now abandoned.

(51) **LOC (7) Cl.** **06-10**

(52) **U.S. Cl.** **D6/575**

(58) **Field of Search** **D6/575, 577, 580;**
160/236, 168.1, 166.1

(56) **References Cited**

U.S. PATENT DOCUMENTS

- 2,169,873 * 8/1939 Clark, Jr. 160/178.1
- 2,326,454 * 8/1943 Gentile 160/236
- 2,757,727 * 8/1956 Findell 160/168.1
- 3,844,330 10/1974 Hyman .
- 3,851,699 12/1974 Shapiro .
- 3,946,789 3/1976 Ronkholz-Tolle .
- 4,352,384 10/1982 McCoy, Jr. .
- 4,434,834 3/1984 Ennes .
- 4,466,476 8/1984 Fairbanks 160/330
- 4,519,435 5/1985 Stier .
- 4,535,828 8/1985 Brockhaus .
- 4,846,243 * 7/1989 Schneider 160/84.1
- 4,893,667 1/1990 Dunn 160/236
- 4,911,220 3/1990 Hiller .
- 4,930,562 6/1990 Goodman .

- 5,012,552 5/1991 Wulf .
- 5,101,876 4/1992 Zak .
- 5,141,042 * 8/1992 Schwaegerie 160/236
- 5,196,000 3/1993 Clear et al. .
- 5,203,394 4/1993 Hailey .
- 5,255,940 10/1993 Kornblum et al. .
- 5,271,447 12/1993 Aronovich .

(List continued on next page.)

FOREIGN PATENT DOCUMENTS

- 387188 3/1940 (CA) .
- 837171 4/1952 (DE) .
- 2644354 8/1978 (DE) 160/236
- 2920323 11/1980 (DE) .
- 3207850 9/1983 (DE) .
- 3312988 10/1983 (DE) .
- 9001429 5/1990 (DE) .
- 288937 7/1987 (EP) .
- 469695 2/1992 (EP) .
- 623832 5/1949 (GB) .
- 2275074 8/1994 (GB) .

OTHER PUBLICATIONS

Spanish Disclosure No. 144292 dated Dec. 26, 1968 (no translation available).

Primary Examiner—Mitchell Siegel

(74) *Attorney, Agent, or Firm*—Dorsey & Whitney LLP

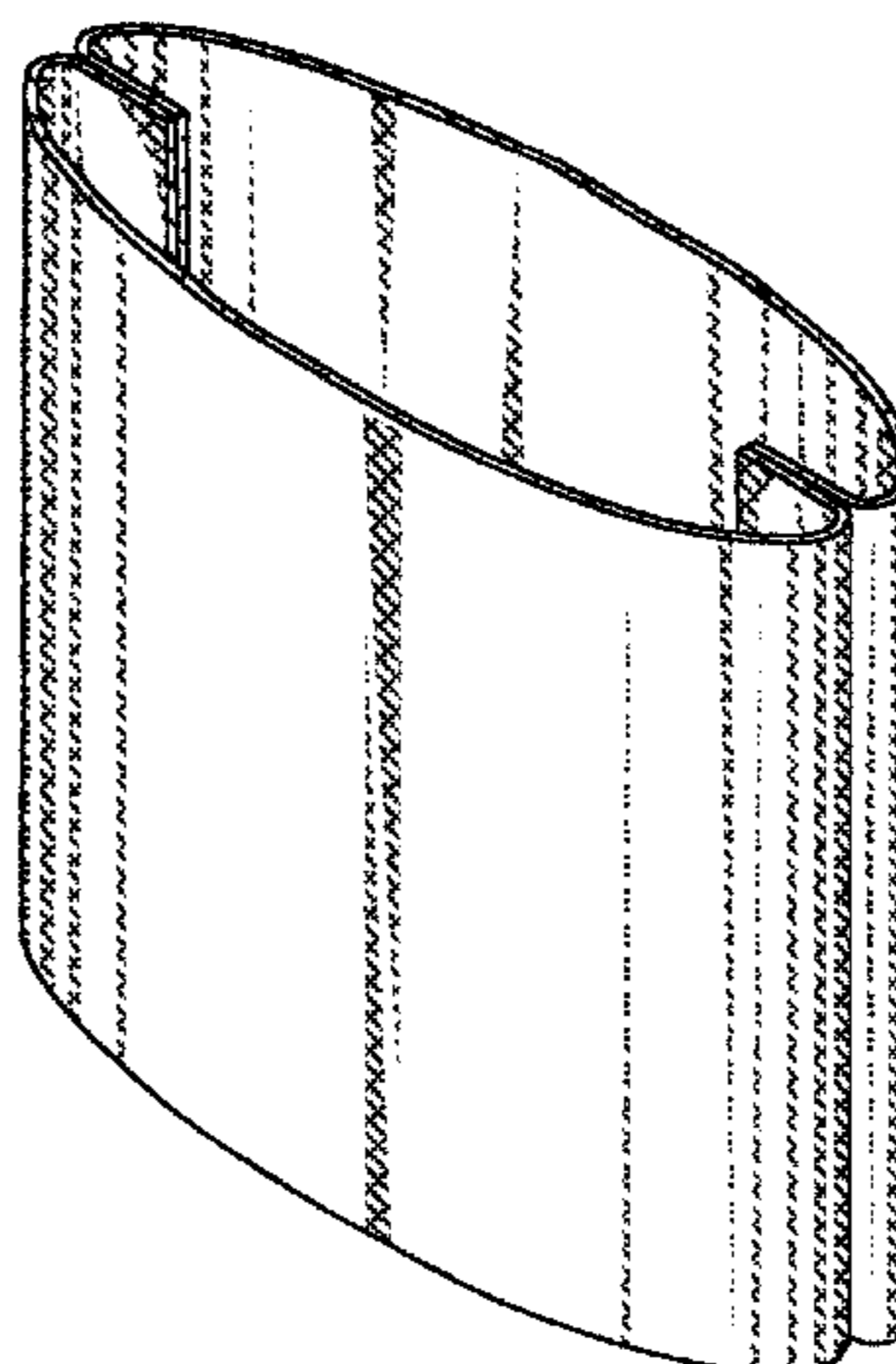
(57) **CLAIM**

I claim the ornamental design for a tailless vane for use in coverings for architectural openings, as shown and described.

DESCRIPTION

FIG. 1 is an isometric view of a third embodiment of the vane of the present invention.
FIG. 2 is a top plan view of the vane of FIG. 1, with a bottom plan view being a mirror image thereof.
FIG. 3 is a front elevation of the vane of FIG. 1, with a rear elevation being identical; and,
FIG. 4 is a right end elevation of the vane of FIG. 1, with a left end elevation being identical.

1 Claim, 1 Drawing Sheet



US D448,594 S

Page 2

U.S. PATENT DOCUMENTS						
			5,749,404	5/1998	Colson	160/84.04
5,297,607	3/1994	Beauchamp .	5,797,442	* 8/1998	Colson et al.	160/236
5,358,024	10/1994	Schwaegerle .	5,960,850	* 10/1999	Colson et al.	160/236
5,490,553	* 2/1996	Colson et al.	6,095,227	* 8/2000	Colson et al.	160/168.1
5,603,369	* 2/1997	Colson et al.				

* cited by examiner

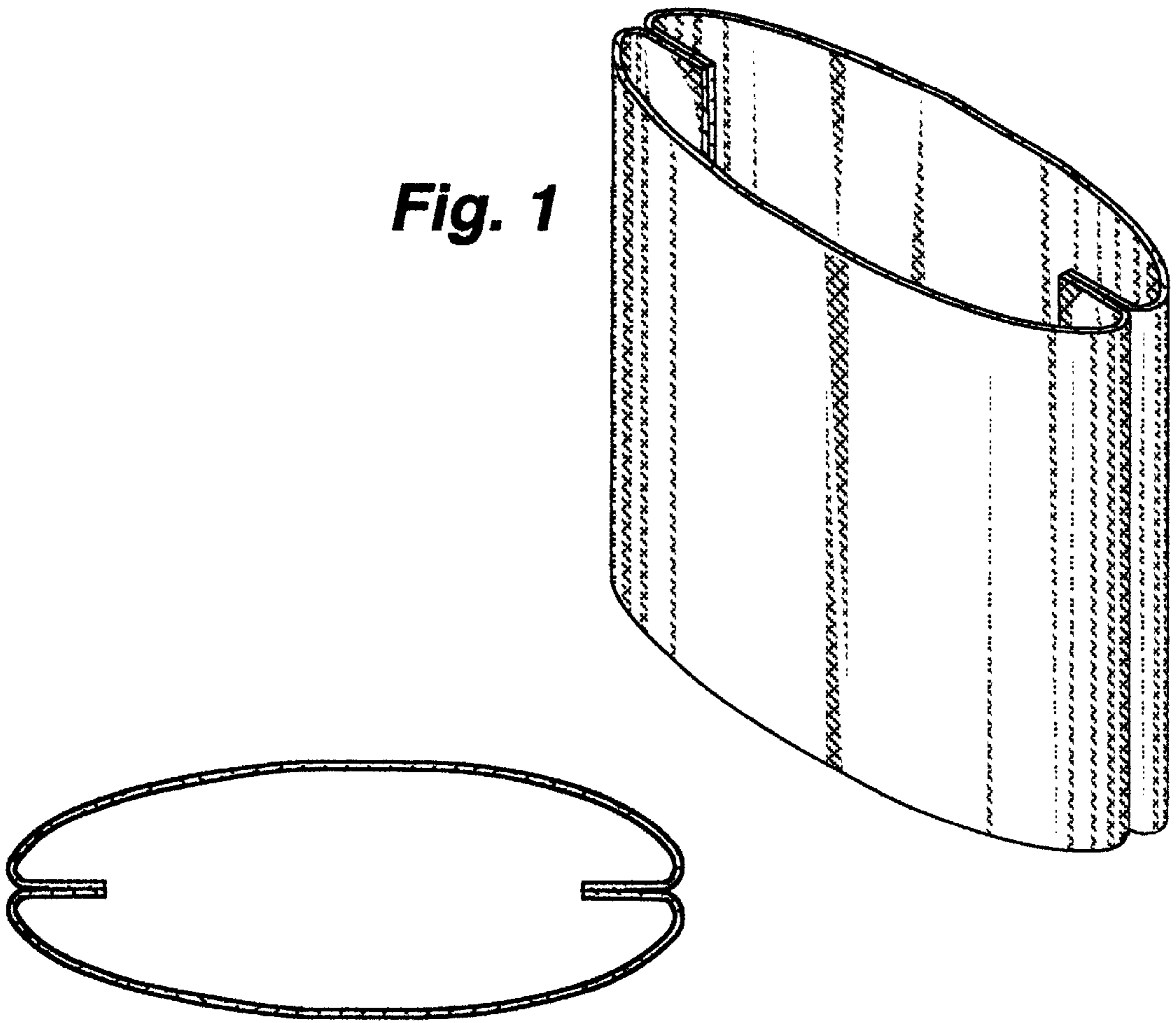


Fig. 1

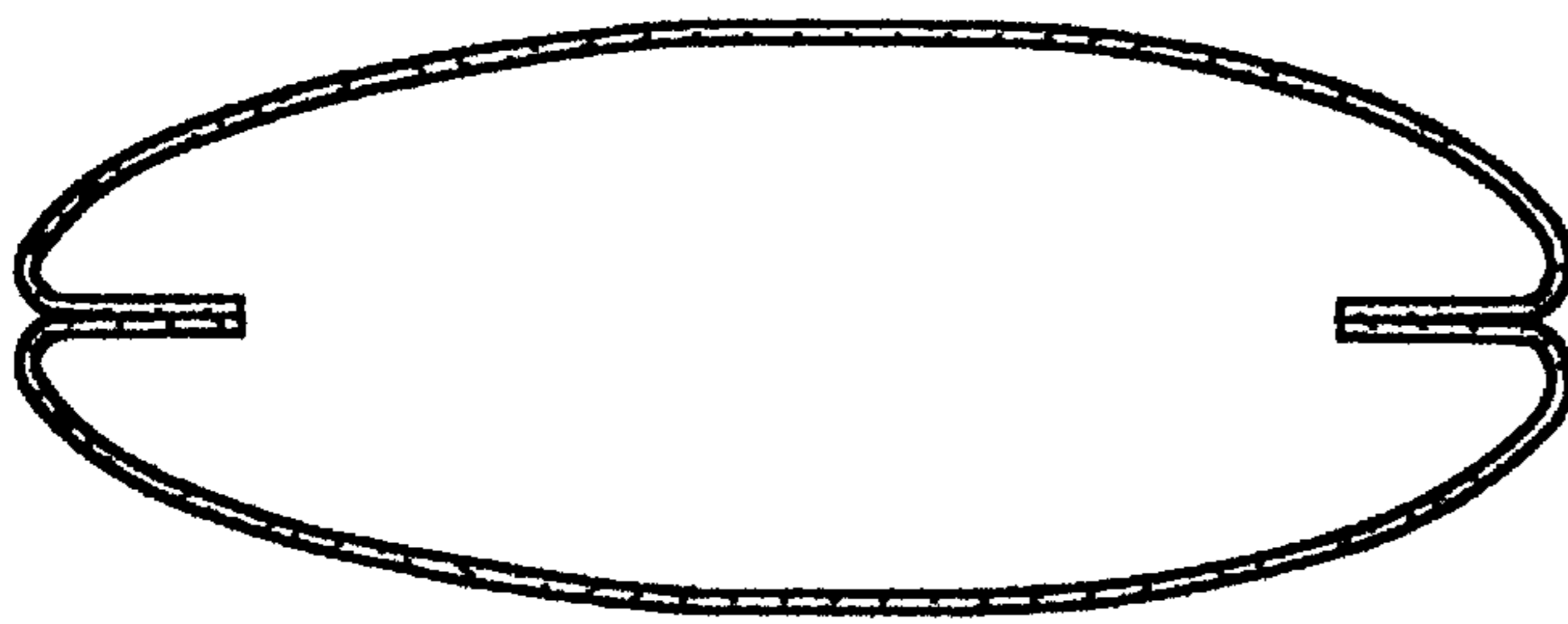


Fig. 2

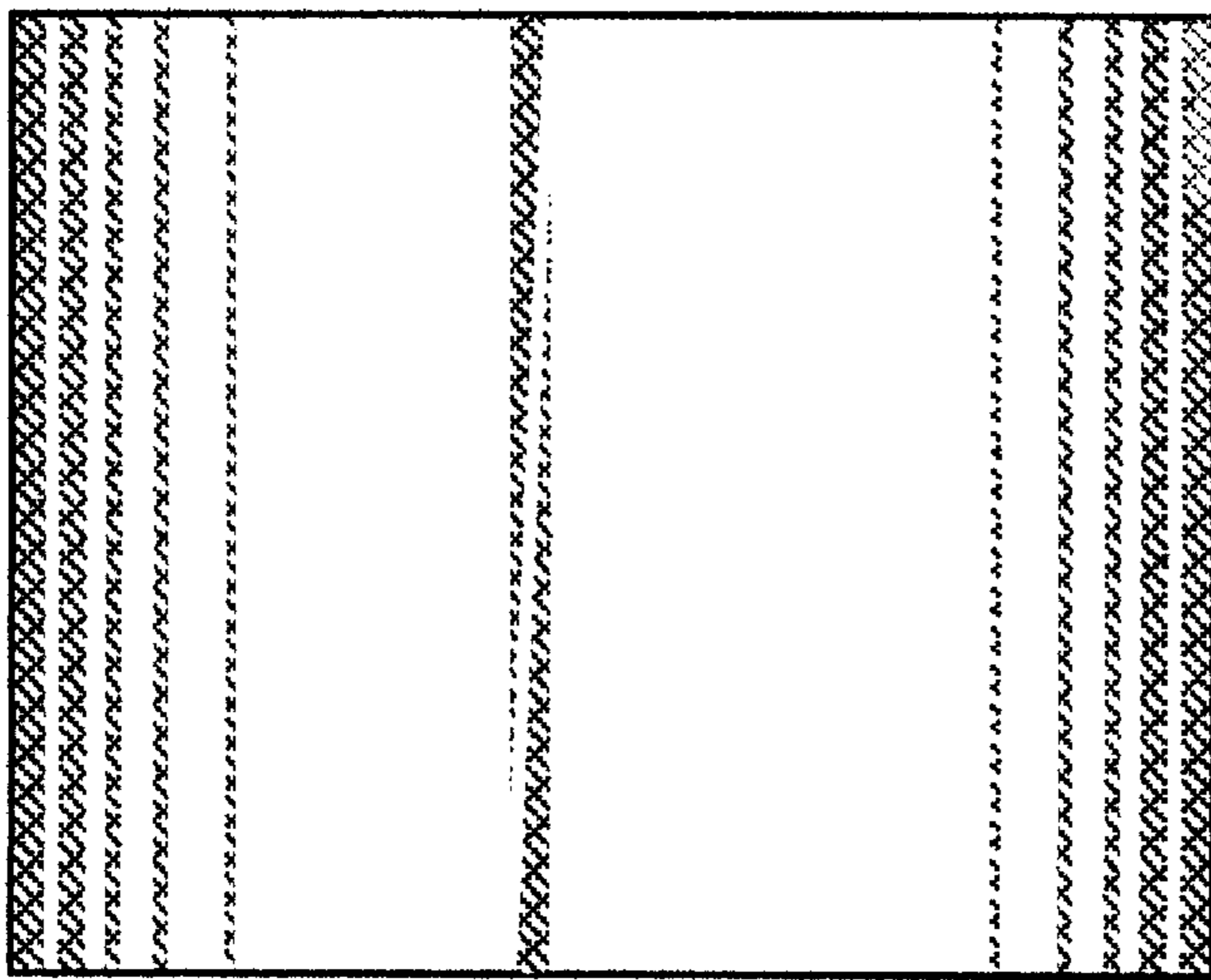


Fig. 3

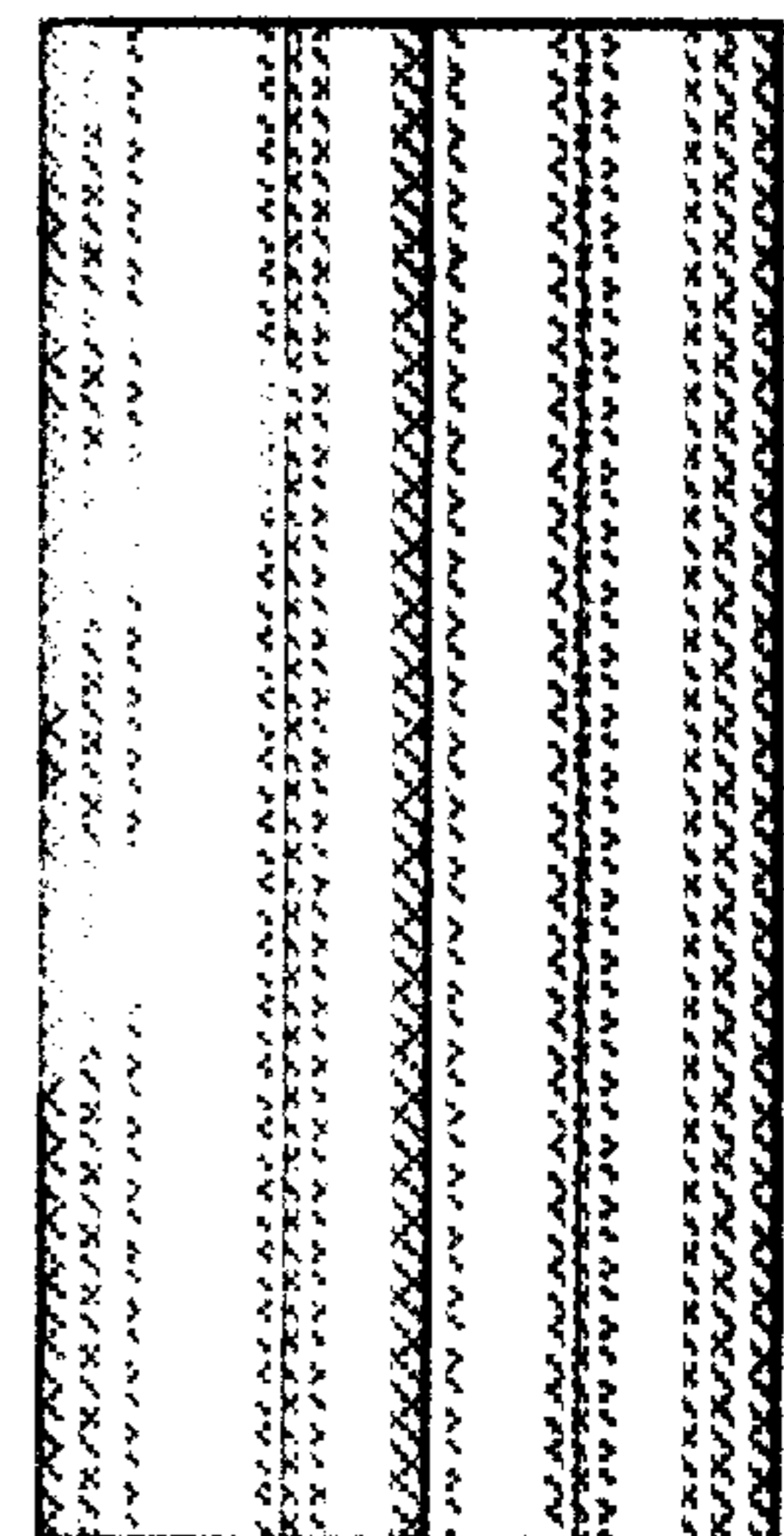


Fig. 4

UNITED STATES PATENT AND TRADEMARK OFFICE
CERTIFICATE OF CORRECTION

PATENT NO. : Des 448,594 S
DATED : October 2, 2001
INVENTOR(S) : Jason T. Throne

Page 1 of 1

It is certified that error appears in the above-identified patent and that said Letters Patent is hereby corrected as shown below:

Title page,

In the description of FIG. 1, delete "third" and insert -- first -- therefor.

In the description of FIG. 3, delete "; and," and insert -- . -- therefor.

Following the description of FIG. 4, insert the following:

-- FIG. 5 is an isometric view of a second embodiment of the vane of the present invention.

FIG. 6 is a top plan view of the vane of FIG. 5, with a bottom plan view being a mirror image thereof.

FIG. 7 is a front elevation of the vane of FIG. 5, with a rear elevation being identical.

FIG. 8 is a right end elevation of the vane of FIG. 5, with a left end elevation being identical. --

Signed and Sealed this

Twenty-third Day of July, 2002

Attest:



Attesting Officer

JAMES E. ROGAN
Director of the United States Patent and Trademark Office

UNITED STATES PATENT AND TRADEMARK OFFICE
CERTIFICATE OF CORRECTION

PATENT NO. : Des. 448,594 S
DATED : October 2, 2001
INVENTOR(S) : Jason T. Throne

Page 1 of 2

It is certified that error appears in the above-identified patent and that said Letters Patent is hereby corrected as shown below:

Title page,

In the description of FIG. 1, delete "third" and insert -- first -- therefor.

In the description of FIG. 3, delete "; and," and insert -- . -- therefor.

Following the description of FIG. 4, insert the following:

-- FIG. 5 is an isometric view of a second embodiment of the vane of the present invention.

FIG. 6 is a top plan view of the vane of FIG. 5, with a bottom plan view being a mirror image thereof.

FIG. 7 is a front elevation of the vane of FIG. 5, with a rear elevation being identical.

FIG. 8 is a right end elevation of the vane of FIG. 5, with a left end elevation being identical. --

This certificate supersedes Certificate of Correction issued July 23, 2002

Signed and Sealed this

Nineteenth Day of November, 2002

Attest:



Attesting Officer

JAMES E. ROGAN
Director of the United States Patent and Trademark Office

Fig. 5

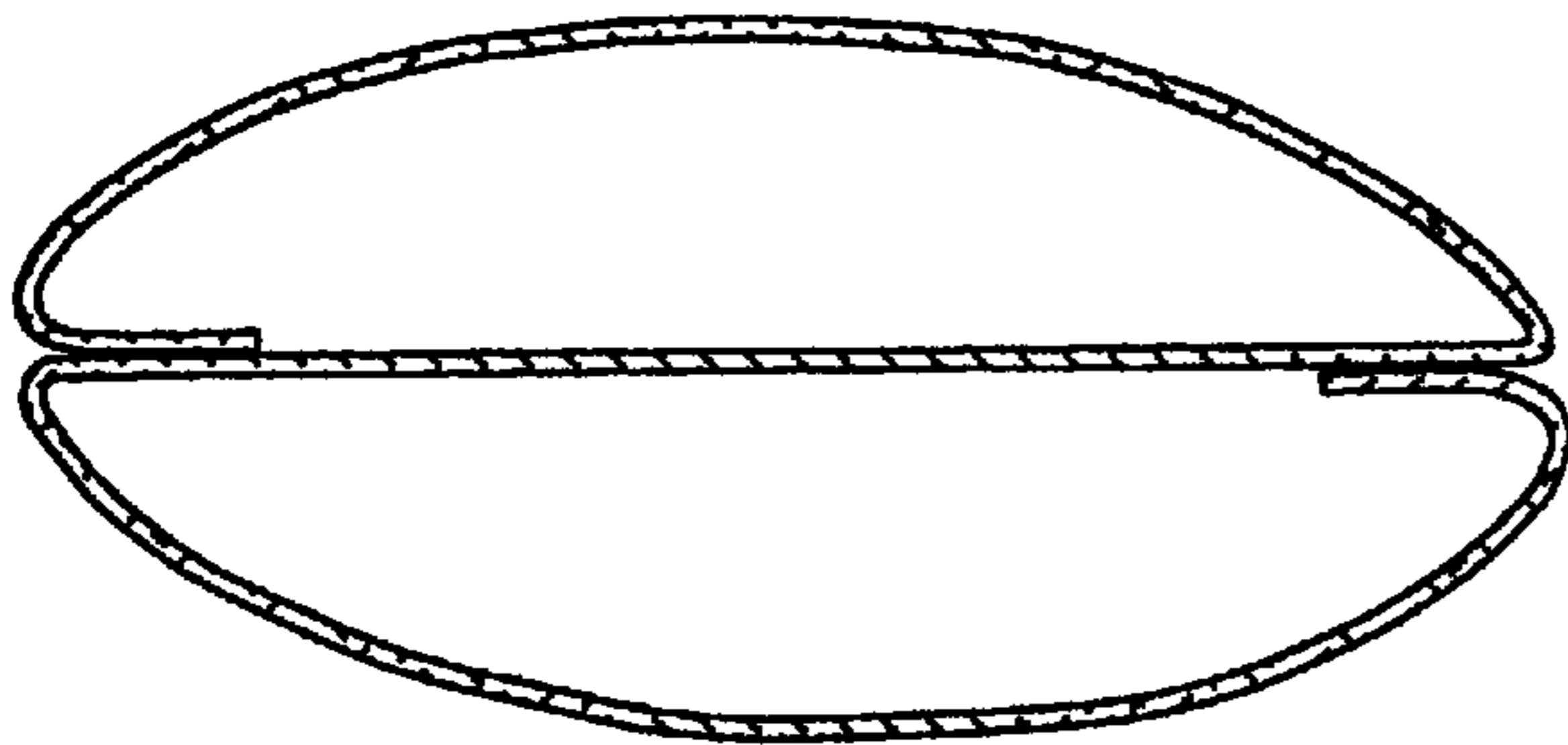
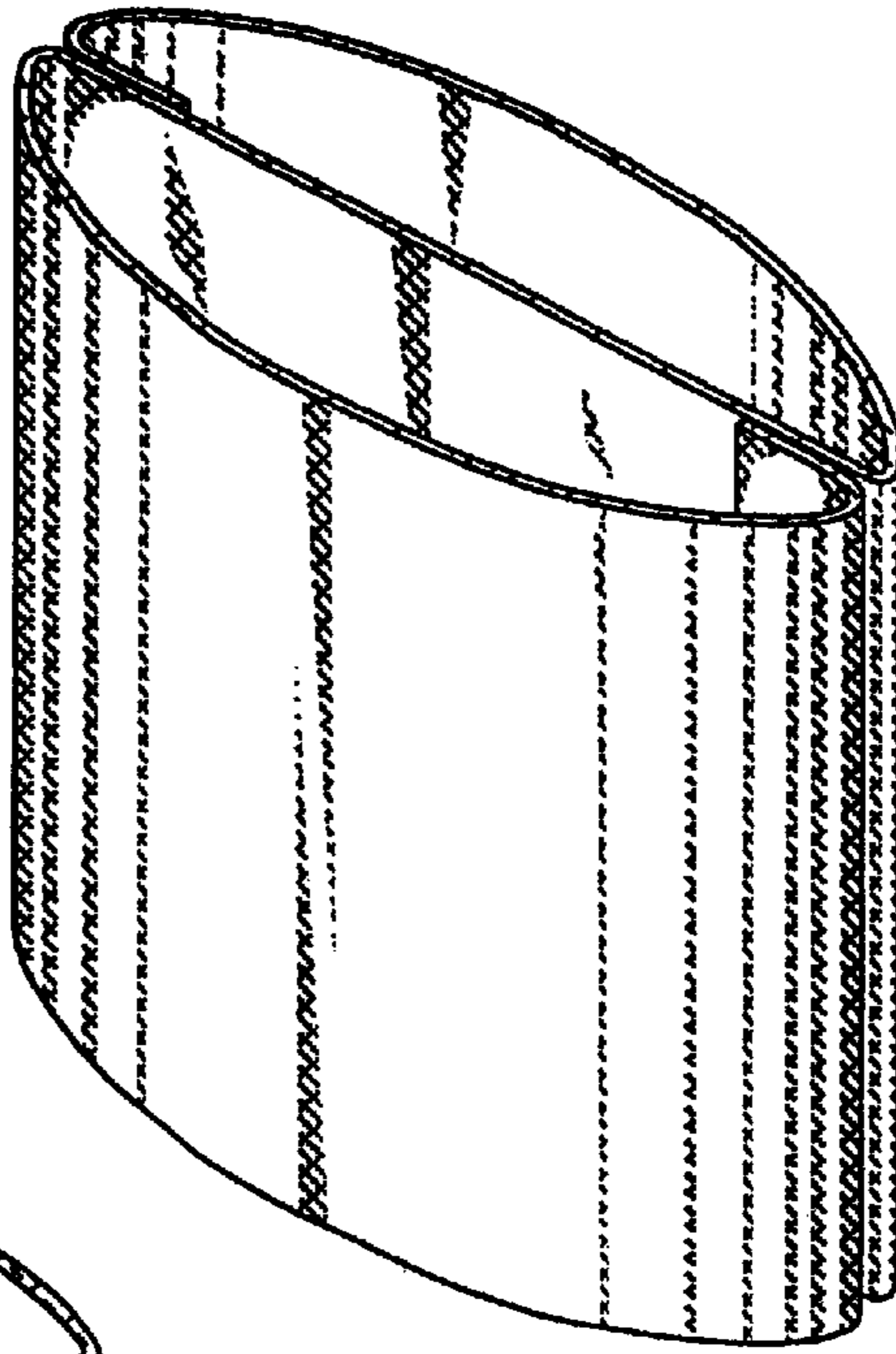


Fig. 6

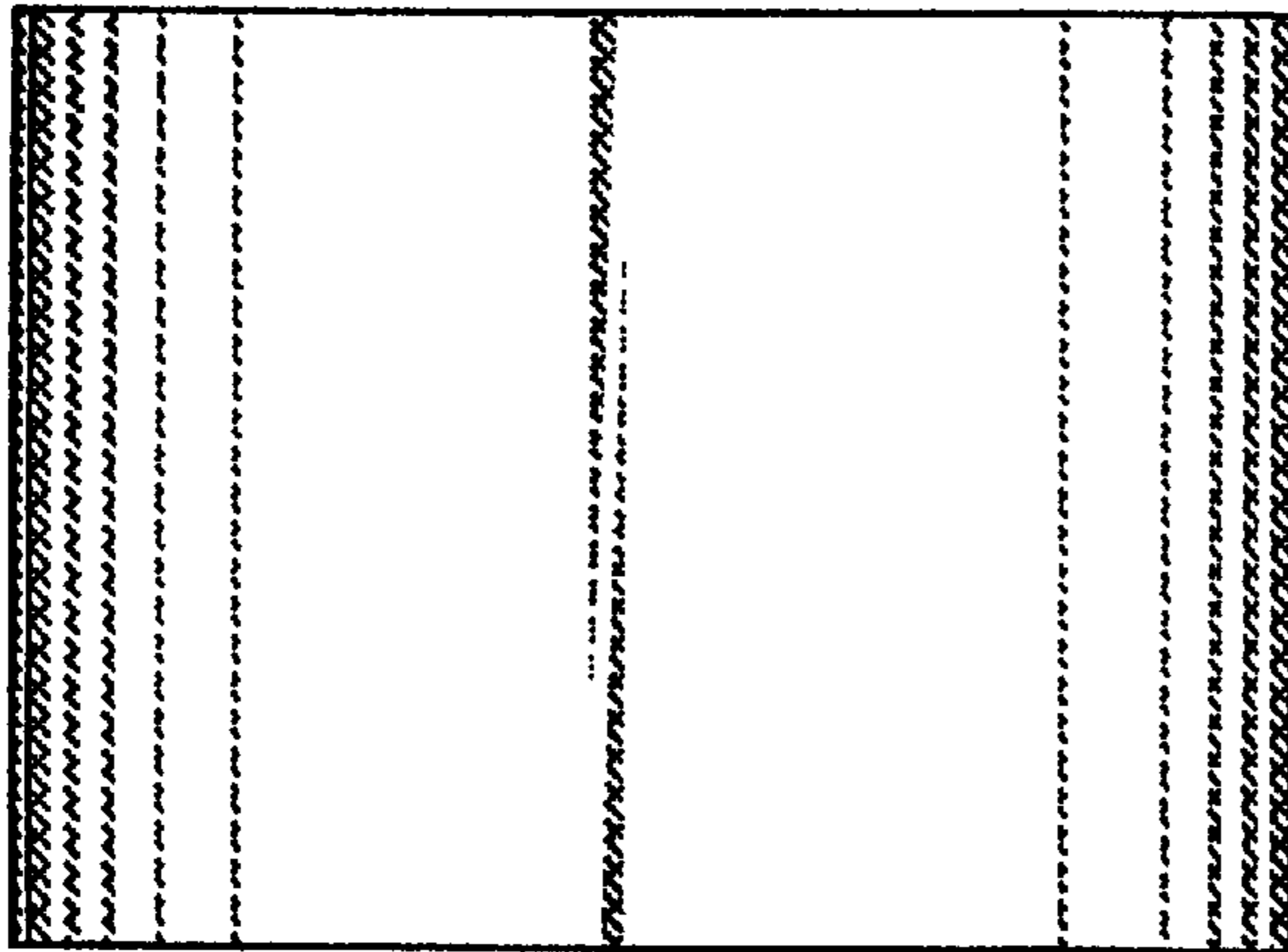


Fig. 7

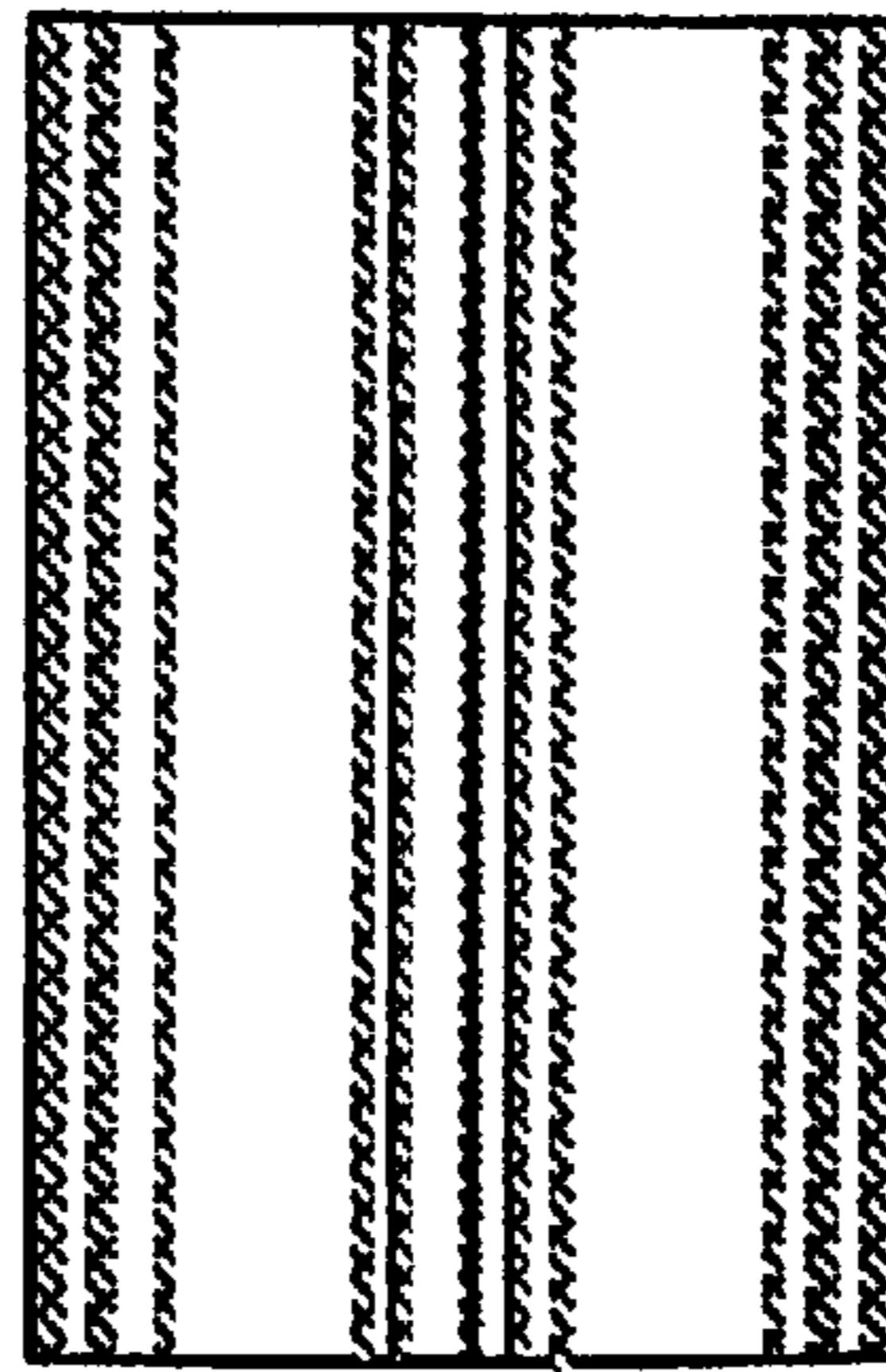


Fig. 8