



US00D448593B1

(12) **United States Design Patent**  
**Harvey**

(10) **Patent No.:** **US D448,593 S**

(45) **Date of Patent:** **\*\* Oct. 2, 2001**

(54) **PORTION OF TOWEL BAR**

(75) Inventor: **William Harvey**, Brooklyn, NY (US)

(73) Assignee: **Umbra, Inc.**, Buffalo, NY (US)

(\*\*) Term: **14 Years**

(21) Appl. No.: **29/135,246**

(22) Filed: **Jan. 8, 2001**

(51) **LOC (7) Cl.** ..... **06-04**

(52) **U.S. Cl.** ..... **D6/550**

(58) **Field of Search** ..... D6/546-50, 518,  
D6/522-24; D8/300, 315-21, 354, 363,  
373, 380; 108/28-29; 211/13.1, 16, 60.1,  
86.01, 87.01, 88.04, 100, 105.1-105.2,  
123, 181.1, 182; 248/175, 176.1, 251, 302;  
16/110.1, 412, 415; 242/570, 590, 595-598;  
206/389

(56) **References Cited**

**U.S. PATENT DOCUMENTS**

- D. 204,057 \* 3/1966 Logan et al. .... D8/363
- D. 410,193 \* 5/1999 Bredemeier ..... D8/363
- D. 412,827 \* 8/1999 Bredemeier ..... D8/363
- D. 417,605 \* 12/1999 Sartini et al. .... D8/363

\* cited by examiner

*Primary Examiner*—Brian N. Vinson

(74) *Attorney, Agent, or Firm*—Saidman DesignLaw Group

(57) **CLAIM**

The ornamental design for portion of towel bar, as shown and described.

**DESCRIPTION**

FIG. 1 is a perspective view of a portion of towel bar showing my new design;

FIG. 2 is a front view thereof;

FIG. 3 is a top view thereof;

FIG. 4 is a bottom view thereof;

FIG. 5 is a left side view thereof;

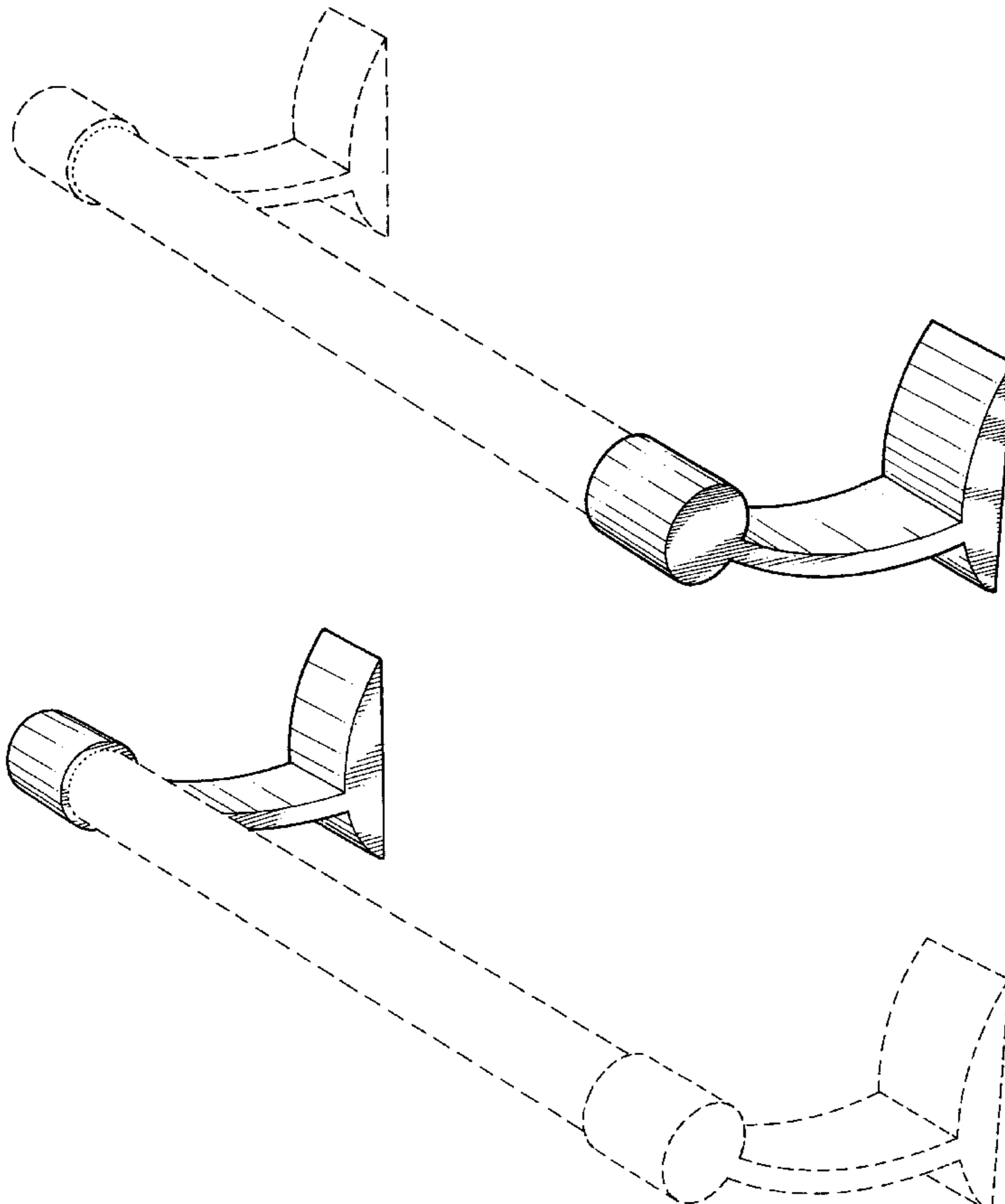
FIG. 6 is a right side view thereof; and,

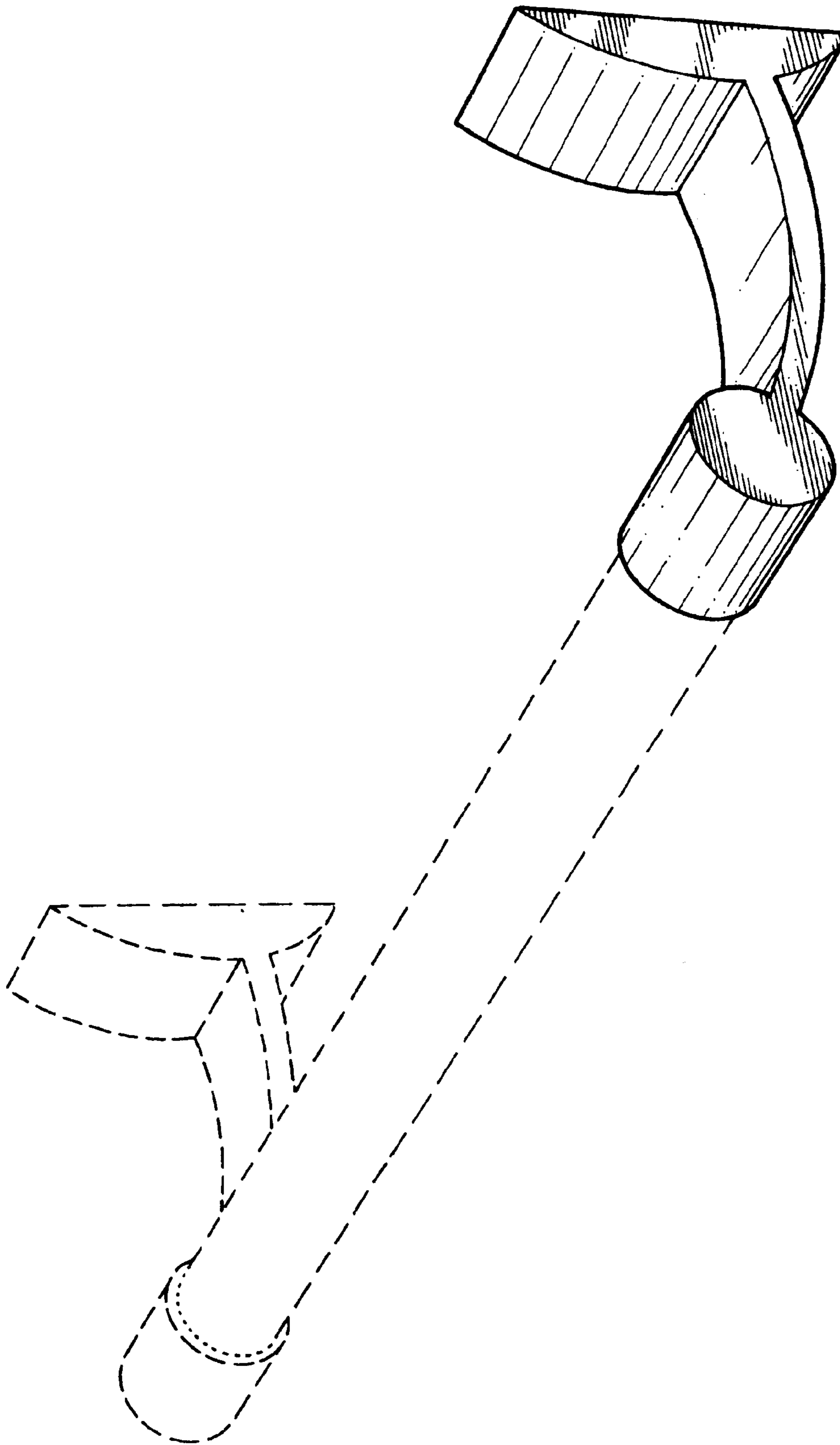
FIG. 7 is a perspective view of a second embodiment of my design.

The rear view is omitted and forms no part of the claimed design.

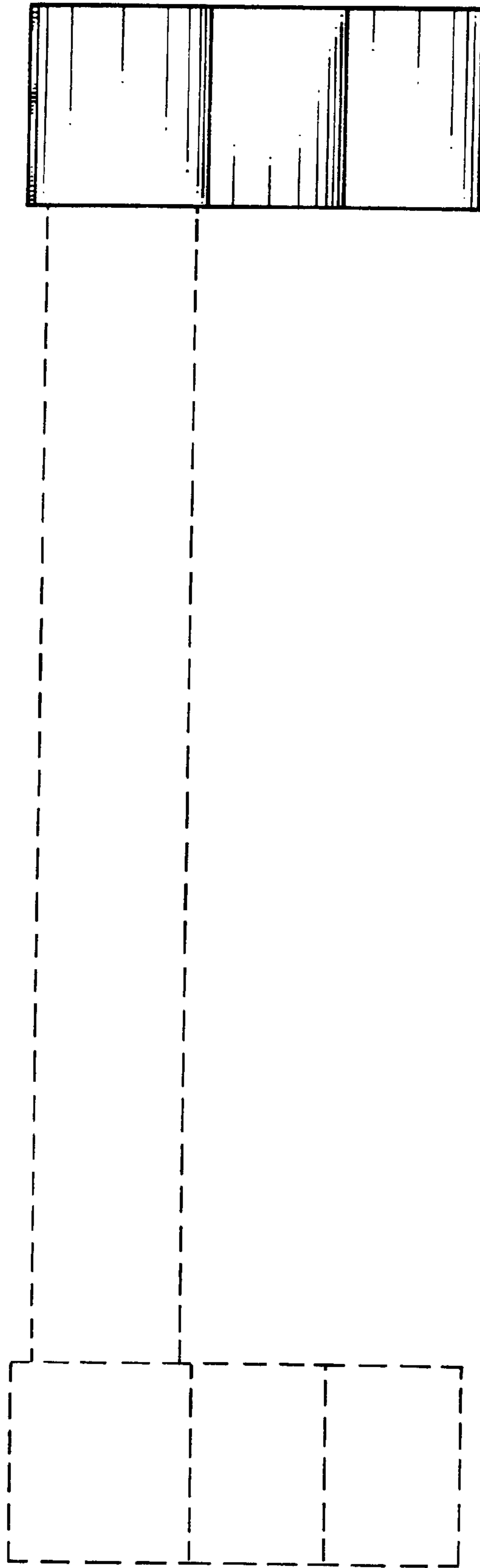
The dashed lines in FIGS. 1-4, and 7 are shown for environmental purposes only and form no part of the claimed design. The environmental subject matter has been omitted in FIG. 5 for clarity. The dotted lines shown in FIGS. 5 and 7 represent boundaries between claimed and unclaimed subject matter and form no part of the claimed design.

**1 Claim, 7 Drawing Sheets**

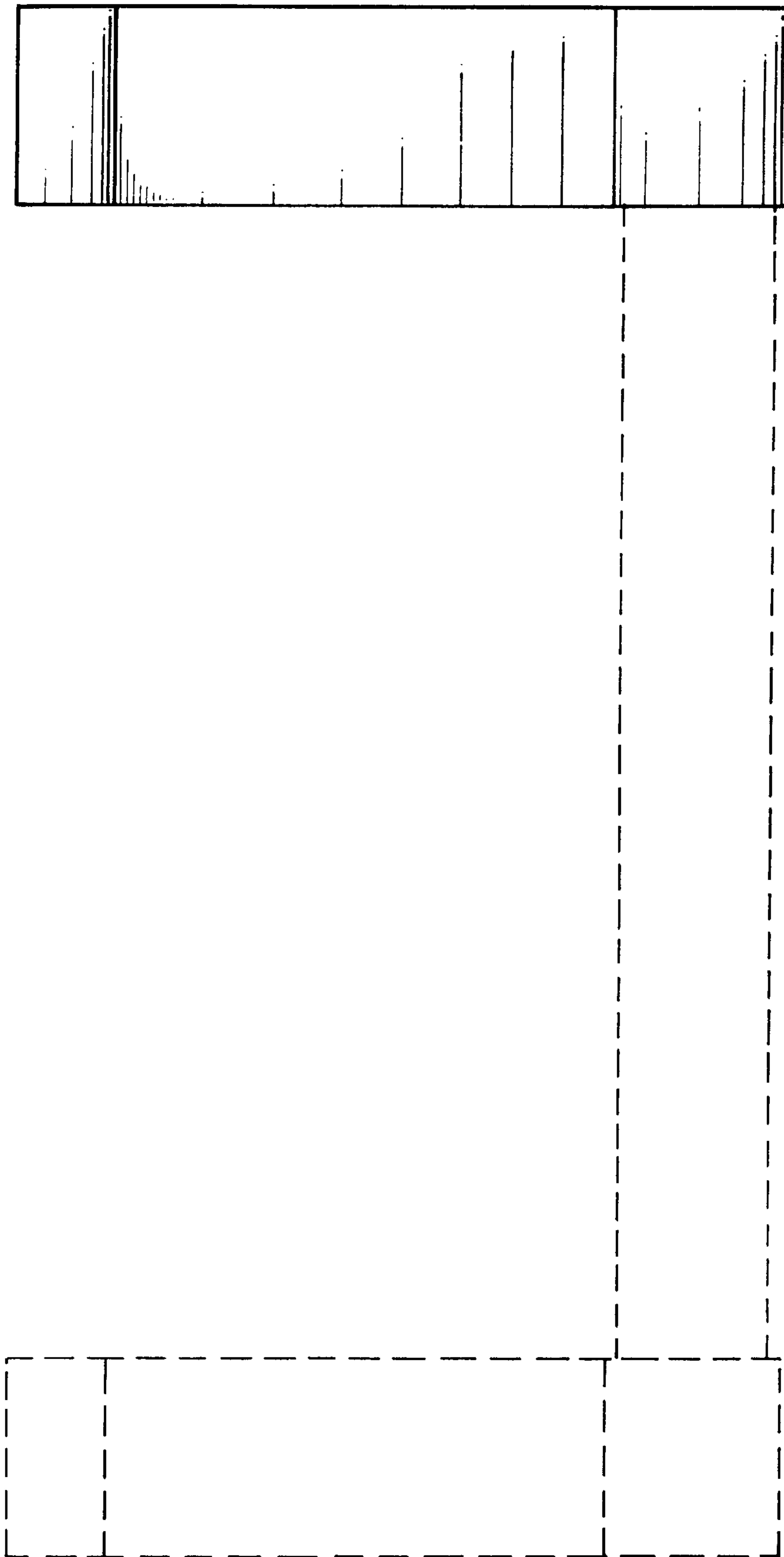




**FIG.1**



**FIG. 2**



**FIG. 3**

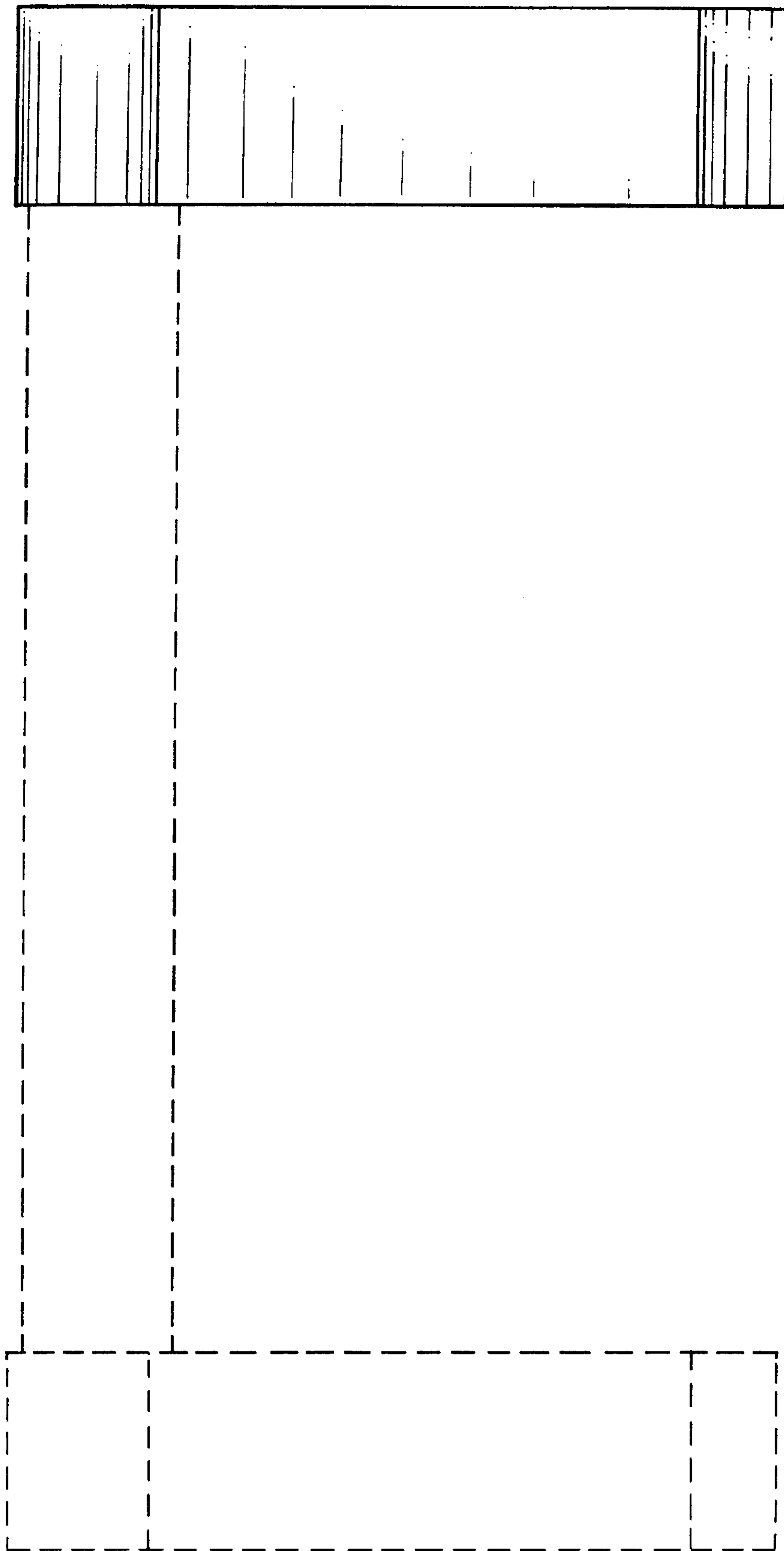
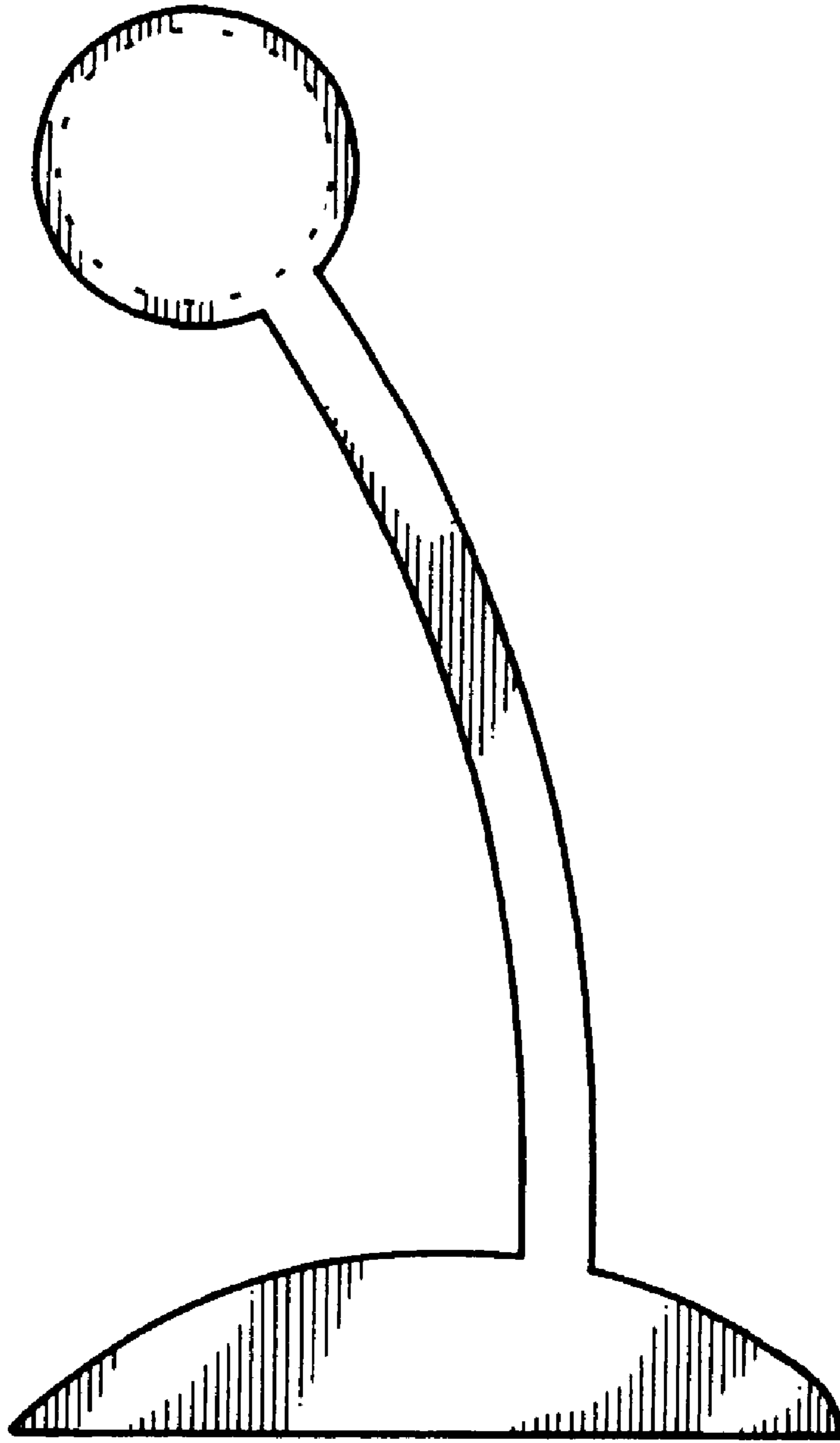
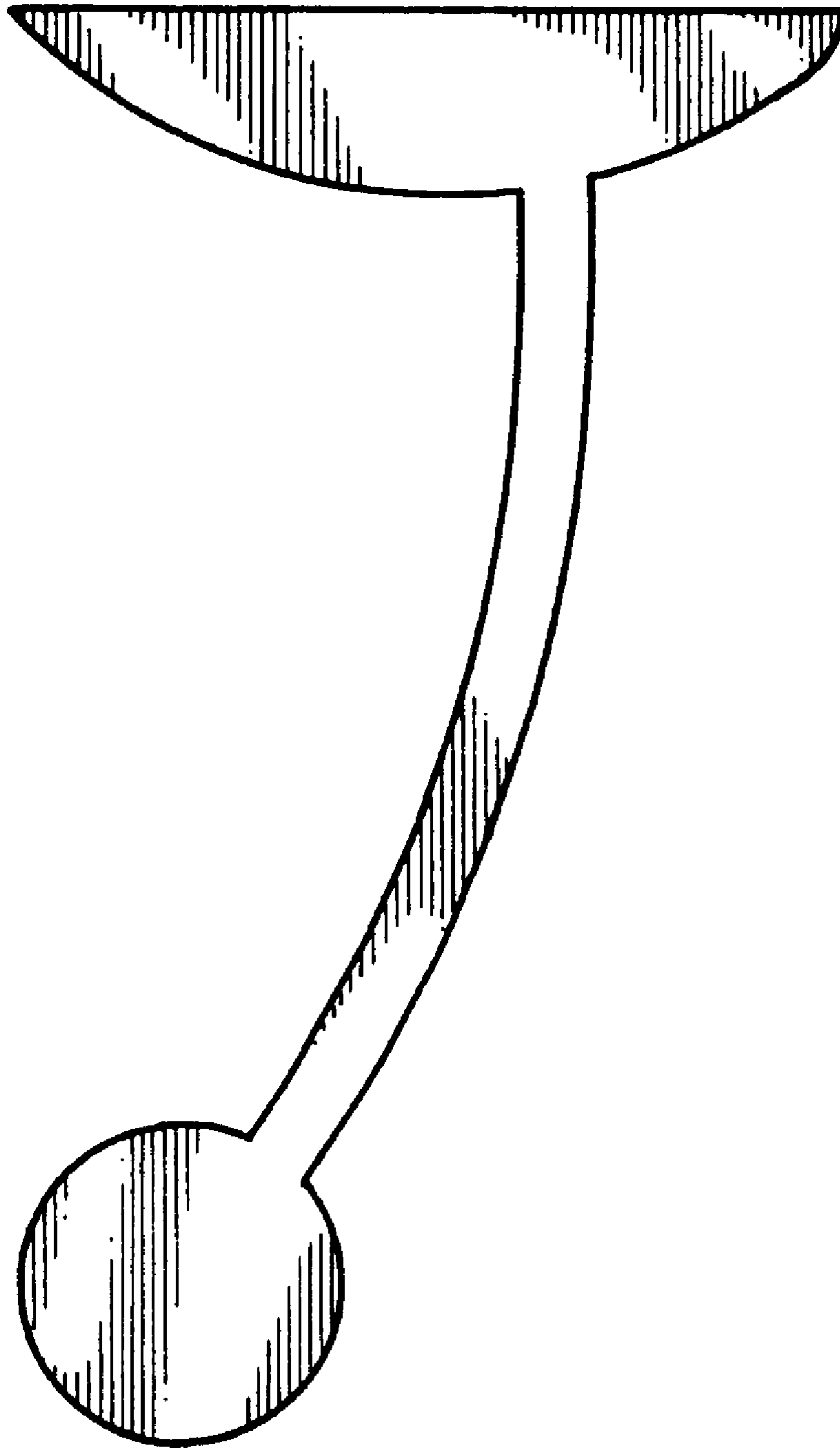


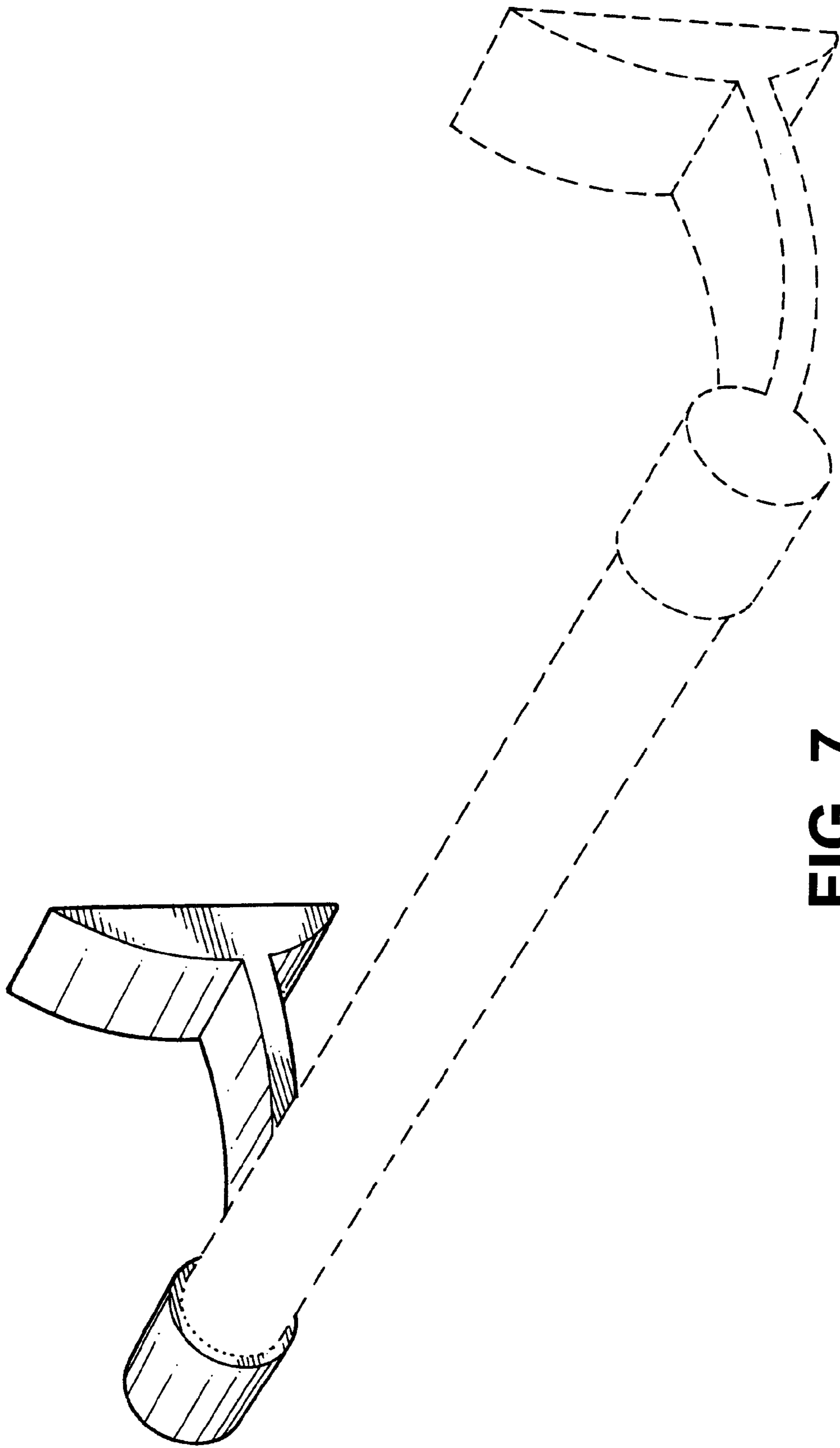
FIG. 4



**FIG. 5**



**FIG. 6**



**FIG. 7**