



US00D448592B1

(12) **United States Design Patent**
McBride

(10) **Patent No.:** **US D448,592 S**

(45) **Date of Patent:** **** Oct. 2, 2001**

(54) **PAPER TOWEL HOLDER**

4,878,631 11/1989 Tanovici 242/55.2
5,765,775 6/1998 Keserica 242/597.5

(76) Inventor: **John McBride**, Rte. 3 Box 33330,
Winnsboro, TX (US) 75494

* cited by examiner

(**) Term: **14 Years**

Primary Examiner—Brian N. Vinson
(74) *Attorney, Agent, or Firm*—Goldstein Law Offices, P.C.

(21) Appl. No.: **29/131,867**

(57) **CLAIM**

(22) Filed: **Oct. 27, 2000**

The ornamental design for a paper towel holder, as shown and described.

(51) **LOC (7) Cl.** **23-02**

(52) **U.S. Cl.** **D6/522**

(58) **Field of Search** D6/518-523; 242/520,
242/590, 595, 597; 248/309.1, 309.2; 312/34.8

DESCRIPTION

(56) **References Cited**

U.S. PATENT DOCUMENTS

D. 205,855	*	9/1966	Swanson	D6/523
D. 285,850	*	9/1986	Waldron	D34/6
D. 383,343		9/1997	Goodman	D6/522
D. 409,423	*	5/1999	Malik	D6/518
D. 428,743		8/2000	Goodman et al.	D6/522
1,292,640		1/1919	Phelps	.	
2,240,629		5/1941	Smith	242/55.2
2,592,571	*	4/1952	Huntington	242/590 X
2,697,562	*	12/1954	Langer	242/597 X

FIG. 1 is a perspective view of a paper towel holder in full lines with a roll of paper towels shown in broken lines representing environmental association matter being for illustrative purposes only and forming no part of the claimed invention.

FIG. 2 is a front elevational view of the paper towel holder, the rear elevational view being a mirror image of the front elevational view.

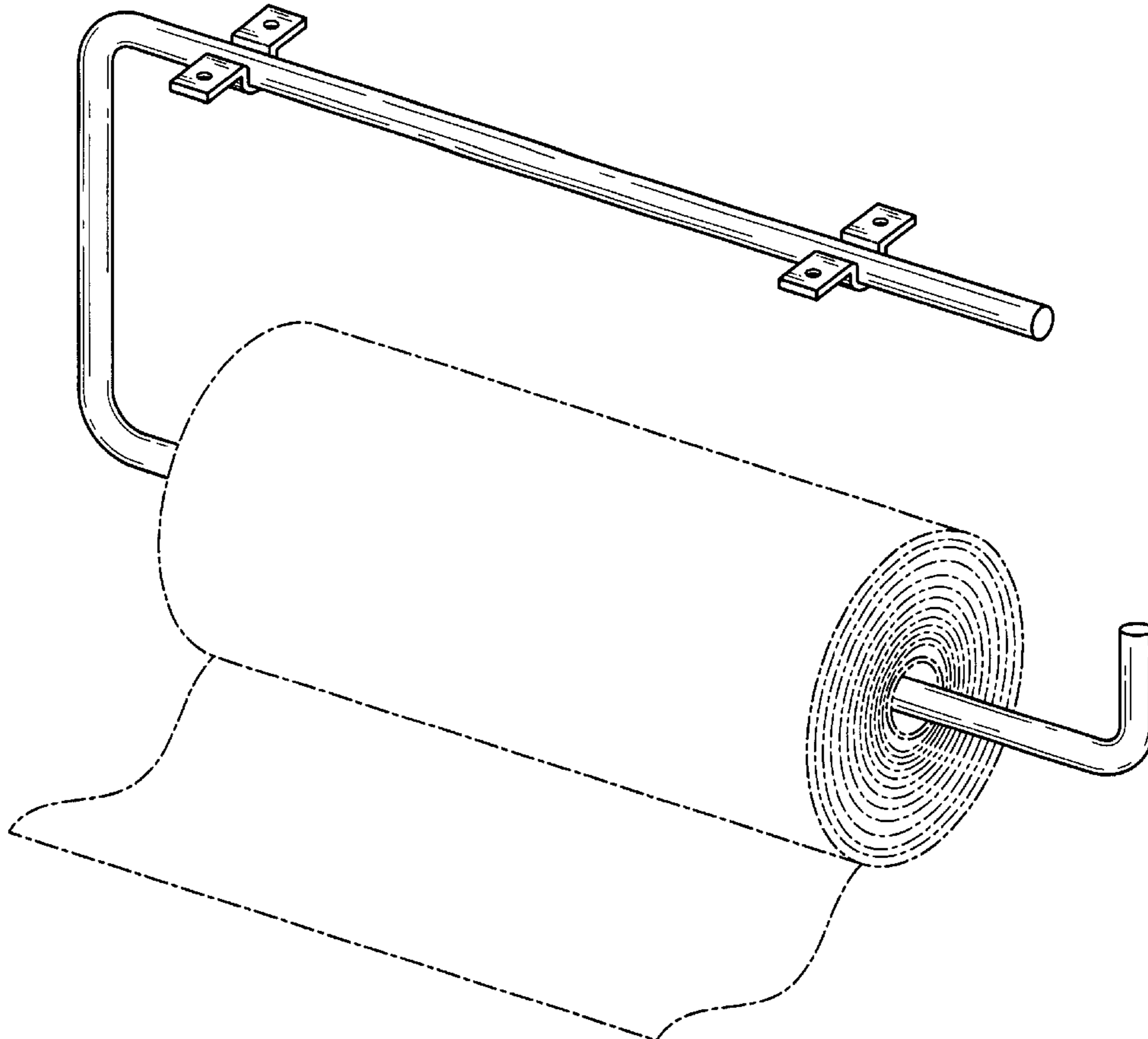
FIG. 3 is a right side elevational view thereof.

FIG. 4 is a left side elevational view thereof.

FIG. 5 is a top plan view thereof; and,

FIG. 6 is a bottom plan view thereof.

1 Claim, 2 Drawing Sheets



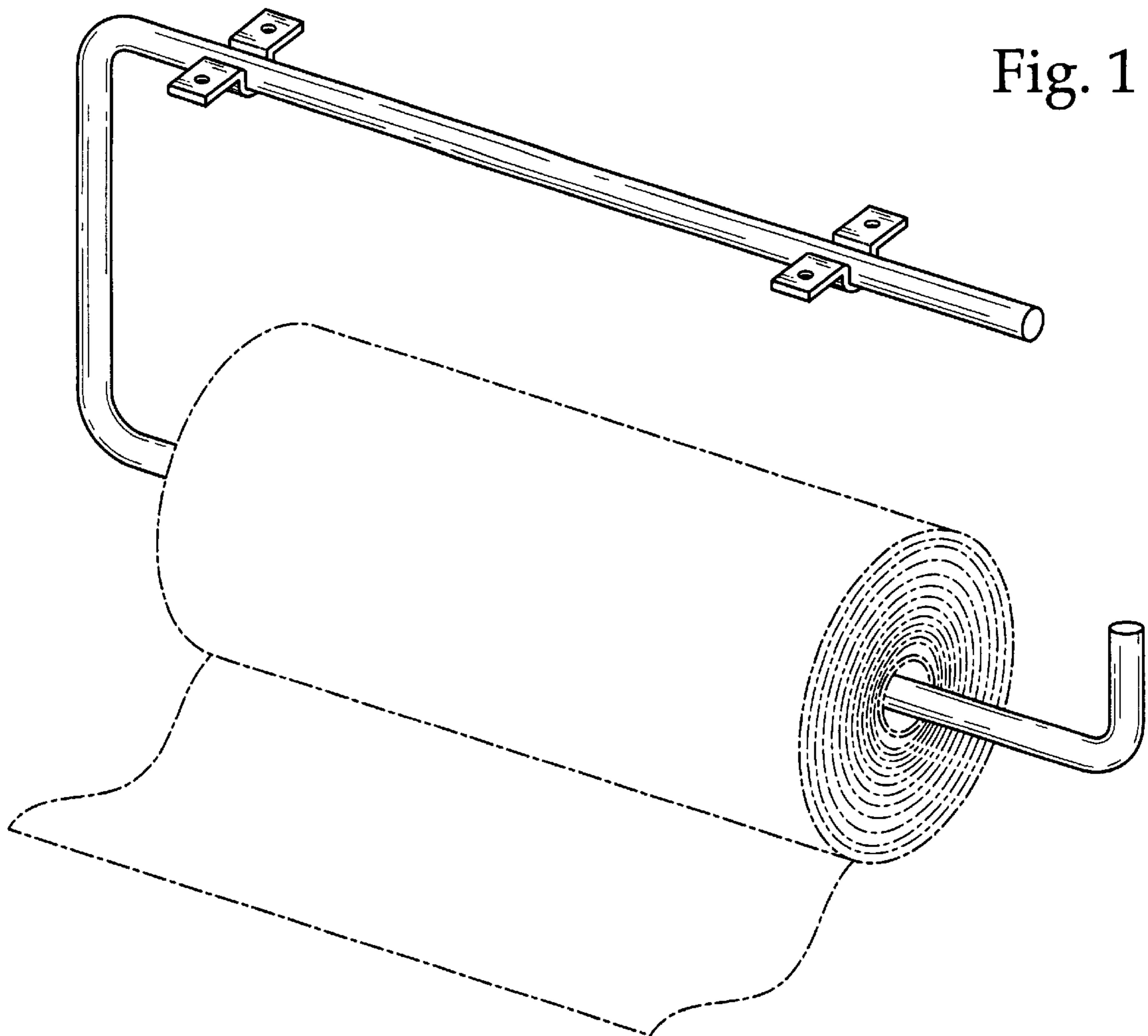


Fig. 1

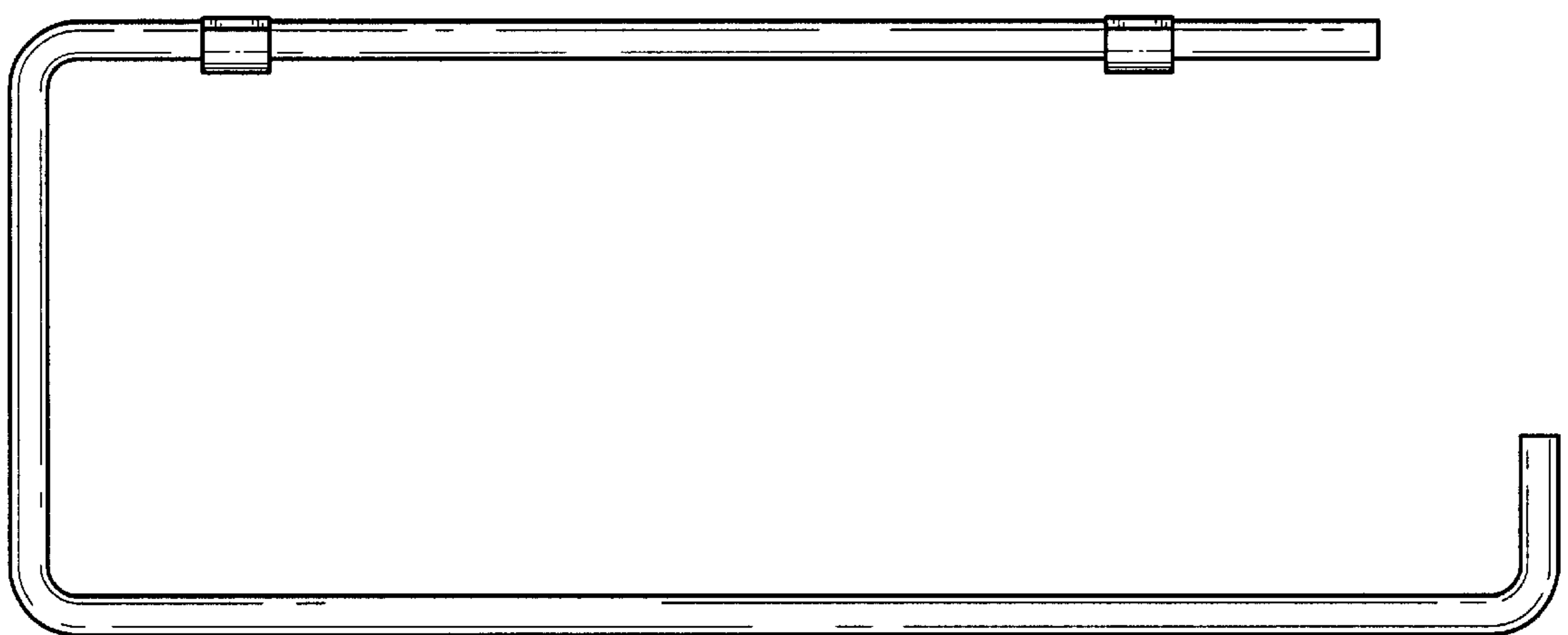


Fig. 2

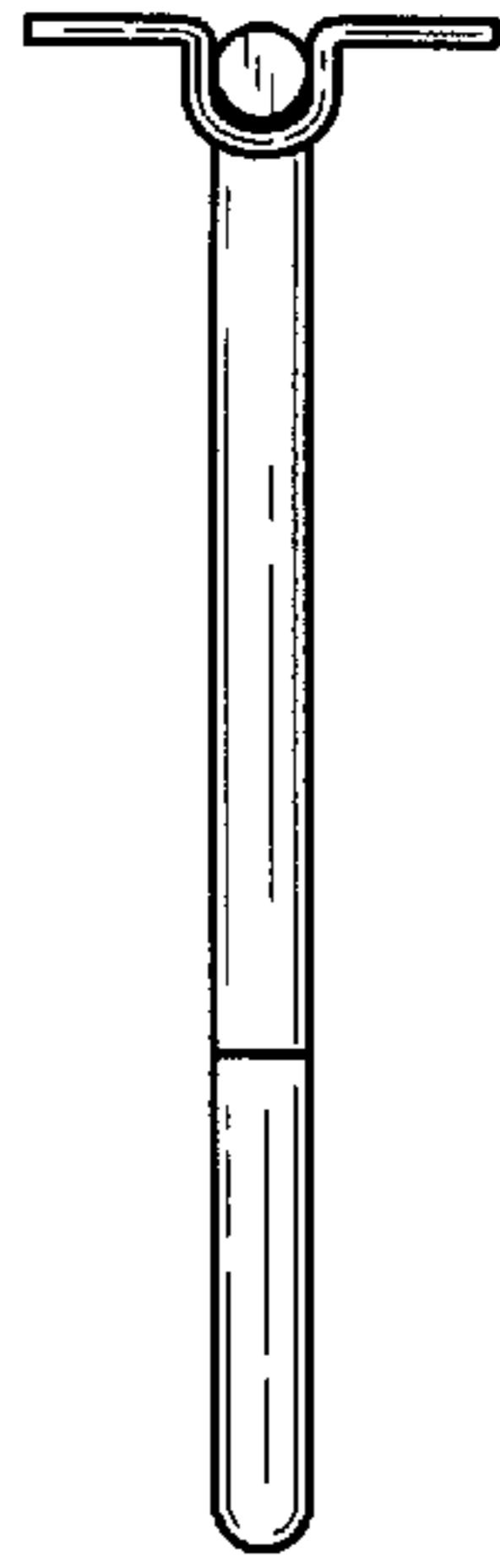


Fig. 3

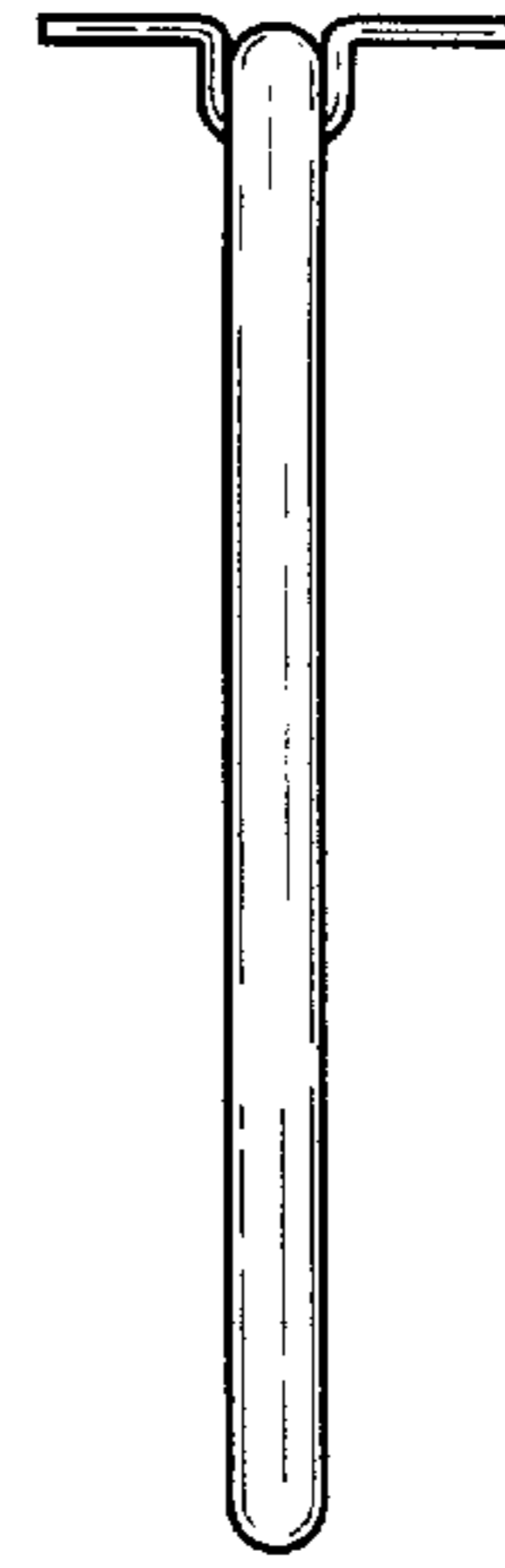


Fig. 4

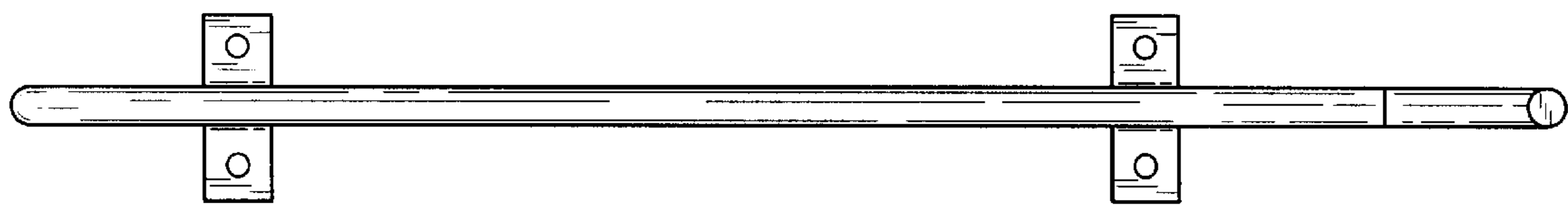


Fig. 5

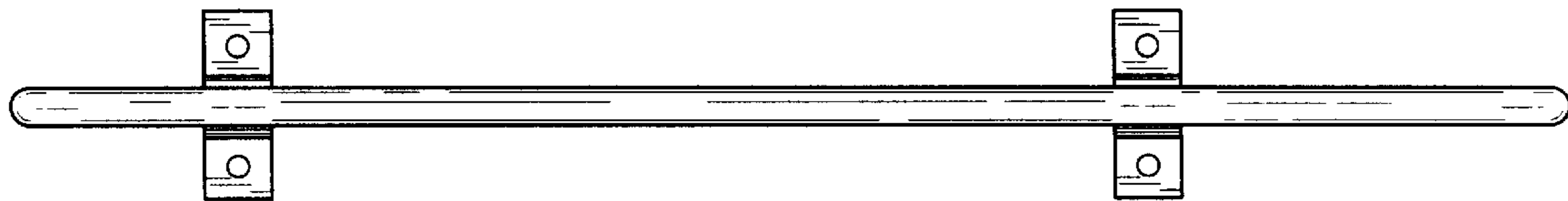


Fig. 6