



US00D448591B1

(12) **United States Design Patent**  
**Nixon et al.**

(10) **Patent No.:** **US D448,591 S**

(45) **Date of Patent:** **\*\* Oct. 2, 2001**

(54) **CHAIR BASE**

(75) Inventors: **Lori Nixon**, Richmond Hill; **George Zoric**, Maple, both of (CA)

(73) Assignee: **Shepherd Products, Inc.**, Brampton (CA)

(\*\*) Term: **14 Years**

(21) Appl. No.: **29/132,871**

(22) Filed: **Nov. 16, 2000**

(51) **LOC (7) Cl.** ..... **06-06**

(52) **U.S. Cl.** ..... **D6/498; D6/366**

(58) **Field of Search** ..... D6/334, 364, 365, D6/366, 367, 498, 500, 501, 502; 248/188, 188.1, 188.7, 188.8, 188.9

(56) **References Cited**

**U.S. PATENT DOCUMENTS**

- D. 276,396 11/1984 Locher .
- D. 363,843 \* 11/1995 Larkin ..... D6/498
- D. 366,377 1/1996 Perl .
- D. 393,764 4/1998 Hundertmark .
- D. 394,961 \* 6/1998 Fancelli ..... D6/366

- D. 407,583 4/1999 Perl .
- D. 412,416 8/1999 Ritch et al. .
- D. 414,629 10/1999 Perl .
- D. 416,698 \* 11/1999 Newhouse ..... D6/366
- D. 430,982 9/2000 Kuo .

\* cited by examiner

*Primary Examiner*—Gary D. Watson

(74) *Attorney, Agent, or Firm*—Lee, Mann, Smith, McWilliams, Sweeney and Ohlson

(57) **CLAIM**

The ornamental design for a chair base, as shown and described.

**DESCRIPTION**

FIG. 1 is a perspective view of a chair base incorporating the design of the present invention.

FIG. 2 is a top view of the chair base.

FIG. 3 is a side view of the chair base positioned such that one of the legs of the base is in the center of the view.

FIG. 4 is a side view of the chair base, slightly rotated from the position shown in FIG. 3 positioned such that the center of the view is between two legs of the base; and,

FIG. 5 is a bottom view of the chair base.

**1 Claim, 2 Drawing Sheets**

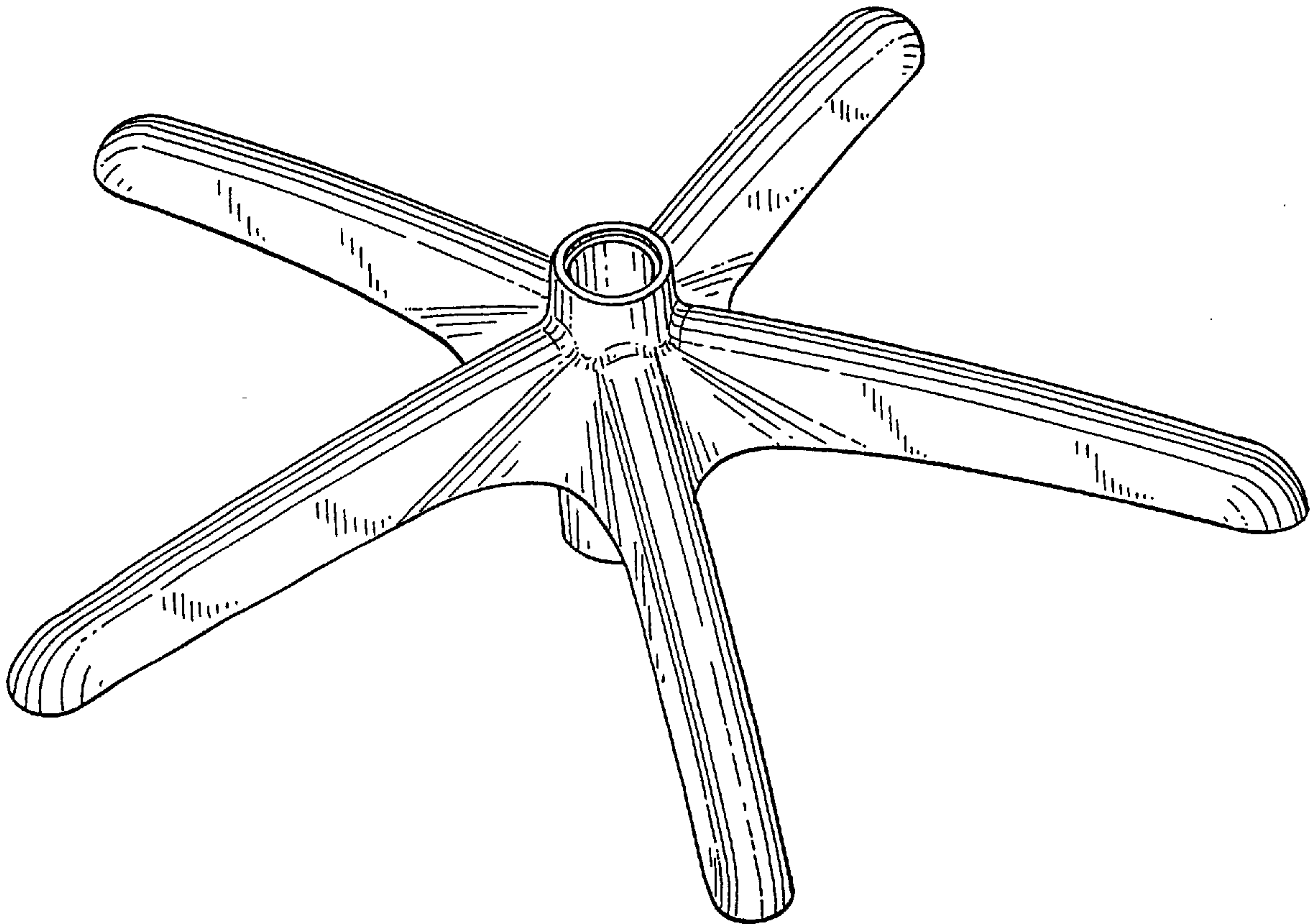


FIG. 1

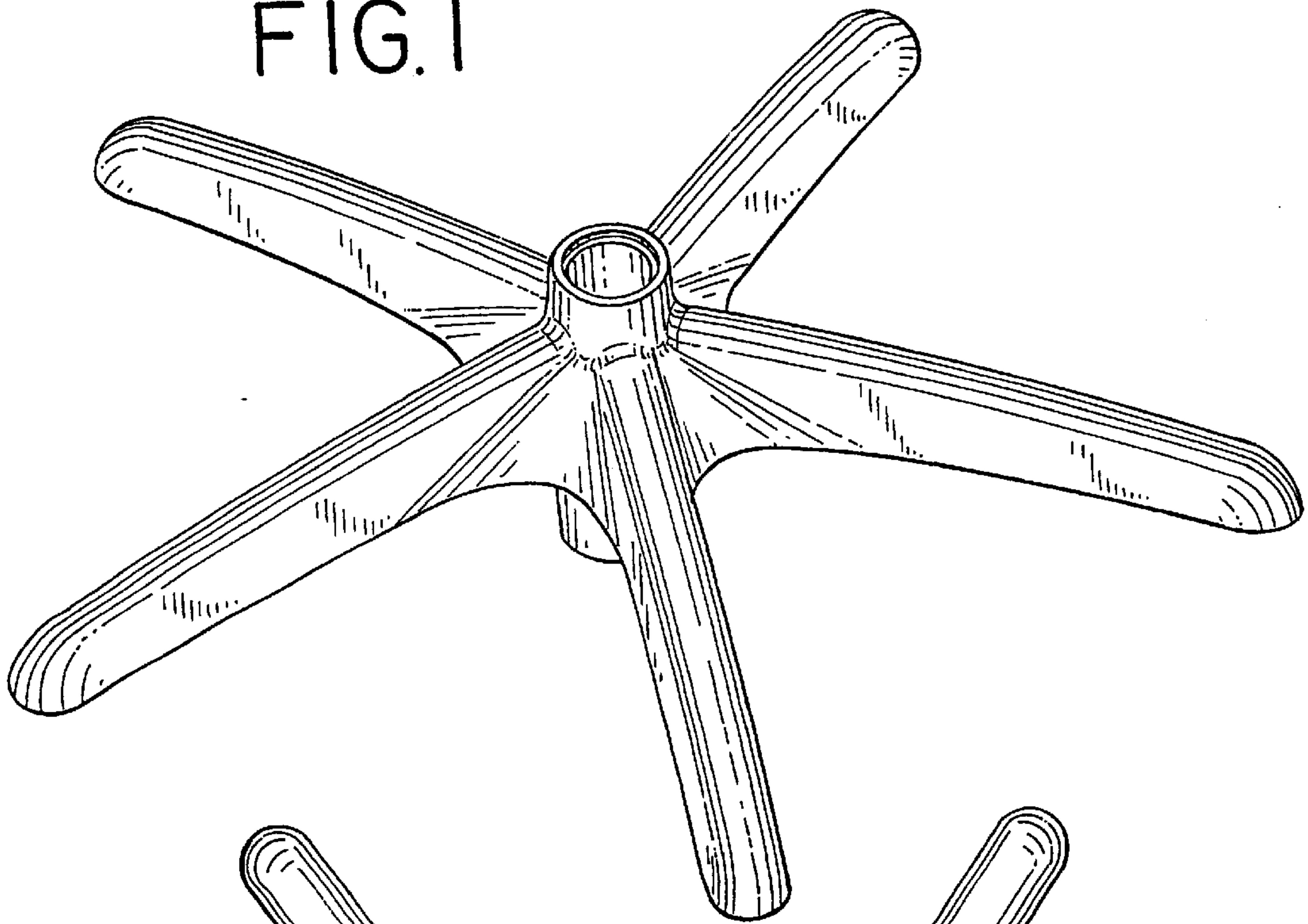


FIG. 2

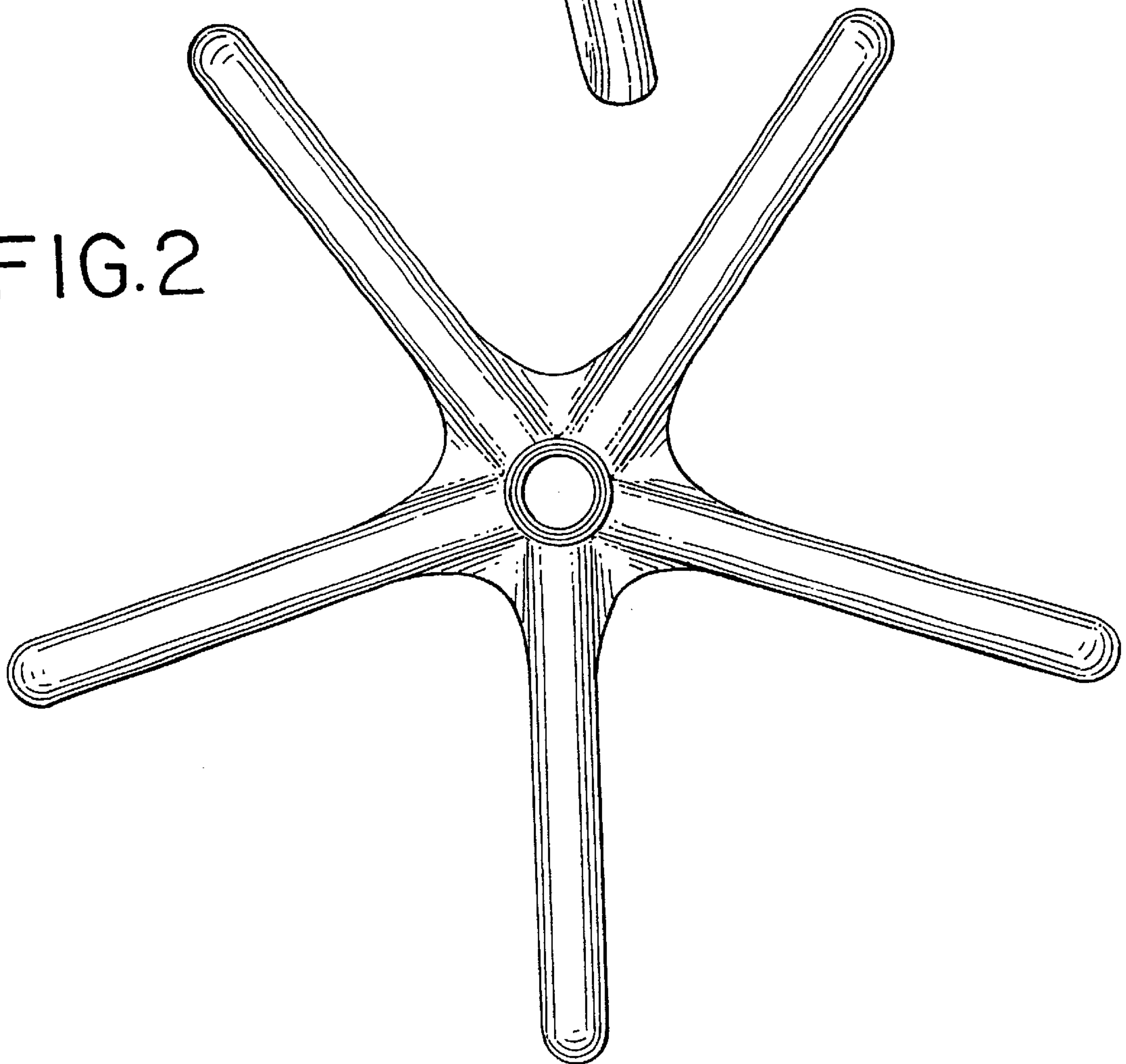


FIG. 3

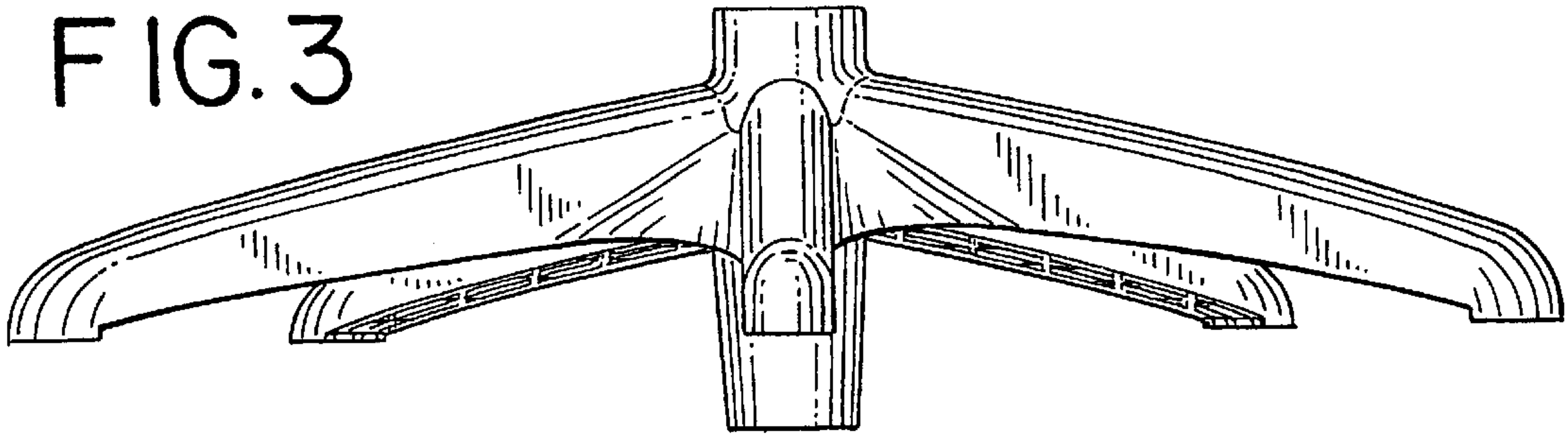


FIG. 4

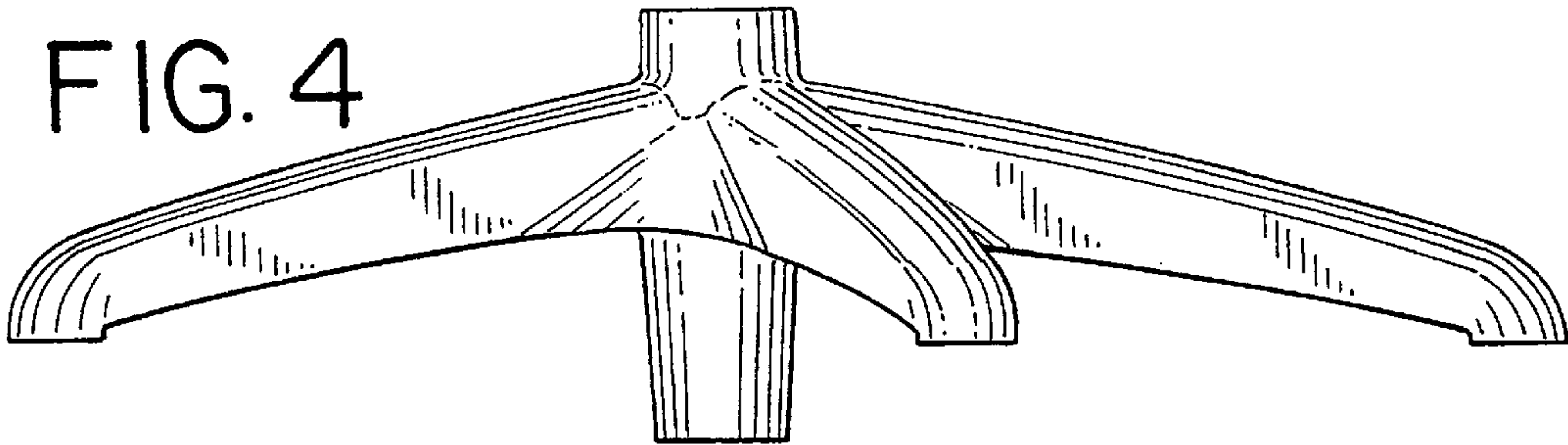


FIG. 5

