



US00D448590B1

(12) **United States Design Patent**
McDaniel et al.

(10) **Patent No.:** **US D448,590 S**

(45) **Date of Patent:** **** Oct. 2, 2001**

(54) **TABLE**

(75) Inventors: **Thomas M. McDaniel; D. Scott Coley,**
both of Morganton, NC (US)

(73) Assignee: **Bernhardt, L.L.C.,** Lenoir, NC (US)

(**) Term: **14 Years**

(21) Appl. No.: **29/131,080**

(22) Filed: **Oct. 13, 2000**

(51) **LOC (7) Cl.** **06-06**

(52) **U.S. Cl.** **D6/495**

(58) **Field of Search** D6/480-489, 495-499,
D6/477; 108/153.1, 157.1, 155, 156, 161,
175; 248/188, 188.1, 188.8

(56) **References Cited**

U.S. PATENT DOCUMENTS

- D. 353,730 * 12/1994 Klein D6/487
- D. 422,811 * 4/2000 O'Hare D6/480

OTHER PUBLICATIONS

- La Barge #4322 table at top.*
- Ethan Allen, c1992, p. 286, table #2 at top center.*
- Ethan Allen, c1998, p. 324, table 13-8502 at bottom right.*

* cited by examiner

Primary Examiner—Janice E. Seeger

(74) *Attorney, Agent, or Firm*—MacCord Mason PLLC

(57) **CLAIM**

The ornamental design for a table, as shown and described.

DESCRIPTION

FIG. 1 is a perspective view of a table showing my new design;

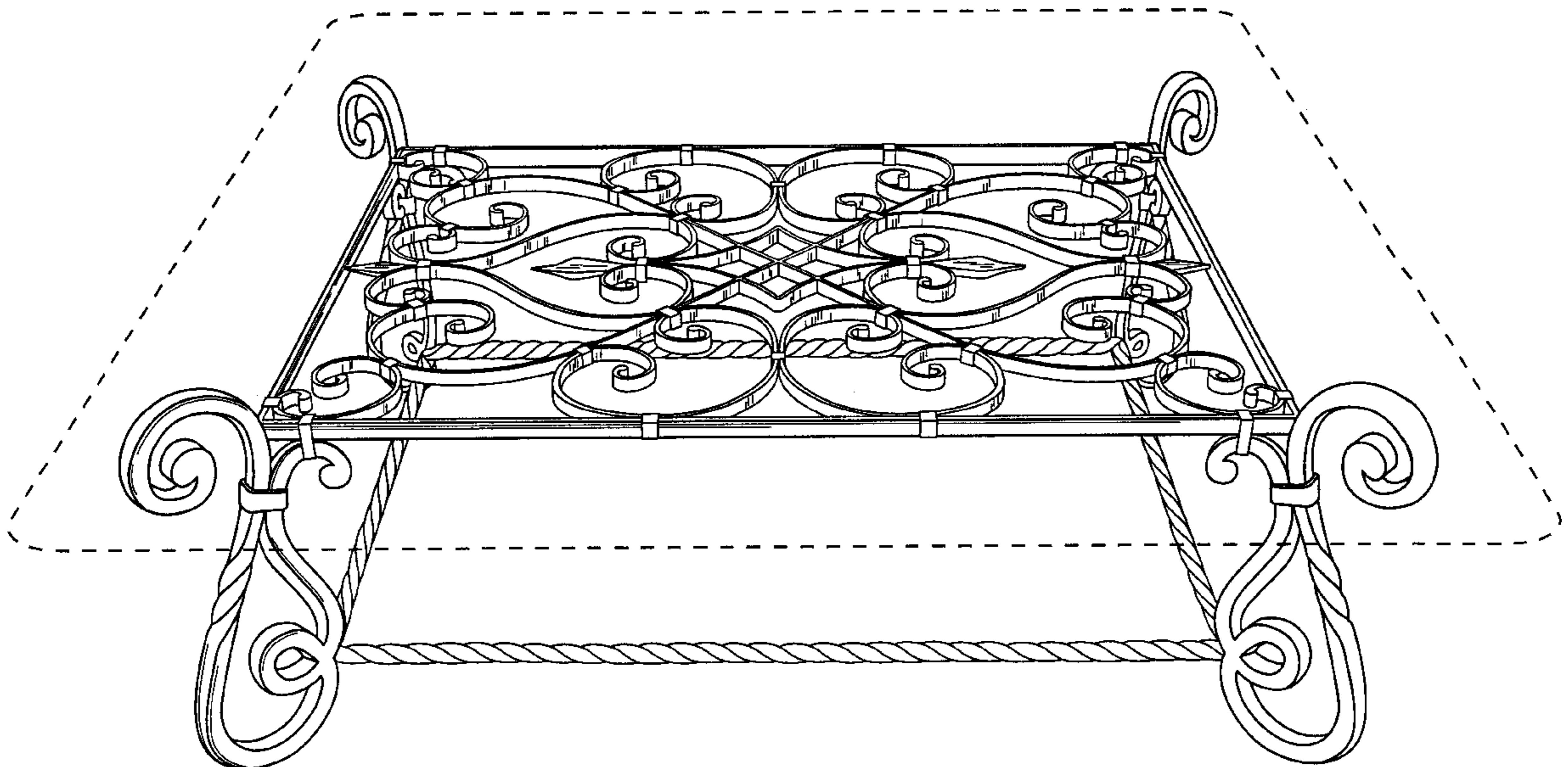
FIG. 2 is a end view thereof, the opposite end being a mirror image thereof;

FIG. 3 is a side view, the opposite side being a mirror image thereof; and,

FIG. 4 is a top view.

The broken lines showing the glass table top is for illustrative purposes only and forms no part of the claimed design.

1 Claim, 4 Drawing Sheets



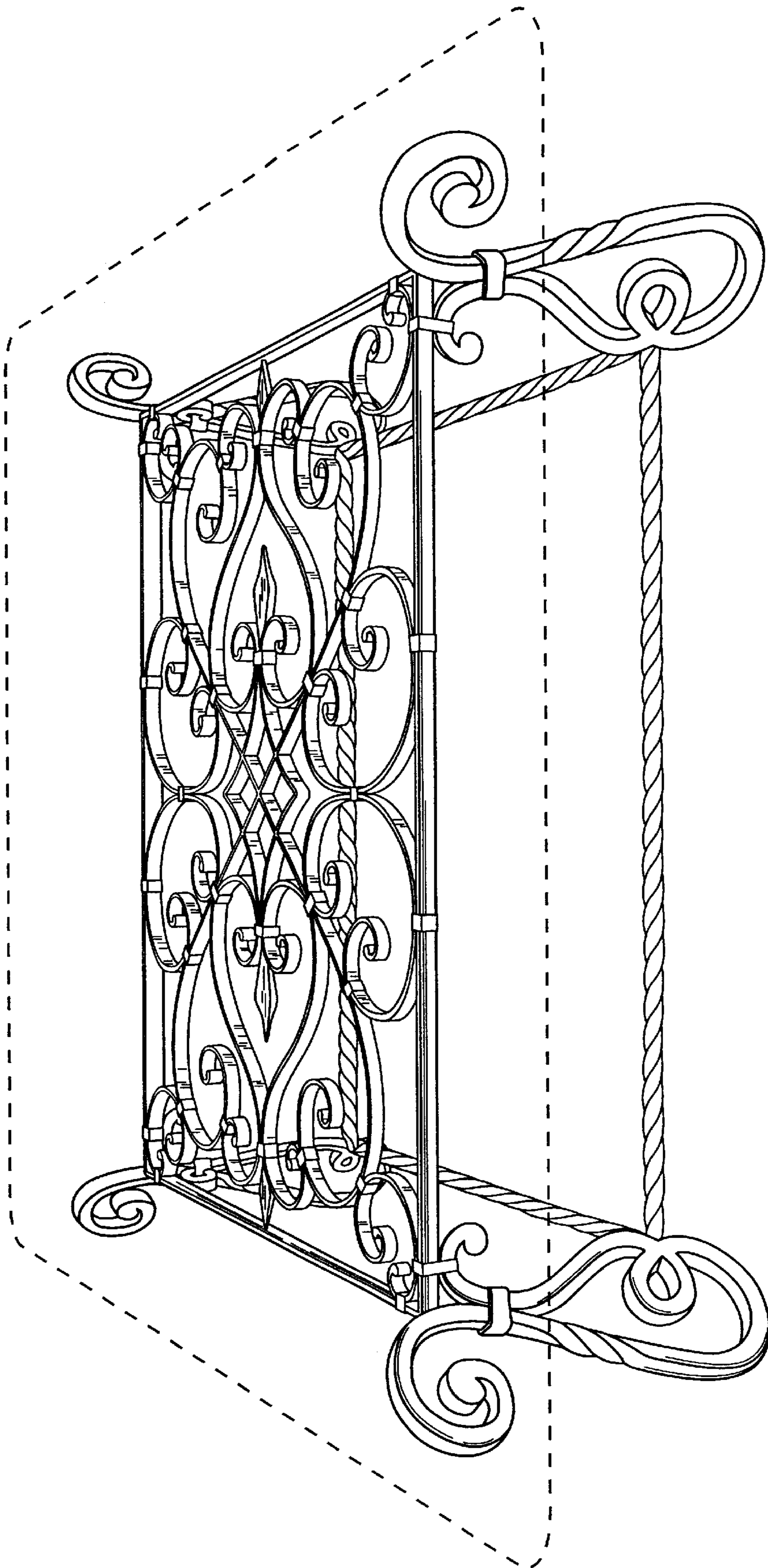


FIG. 1

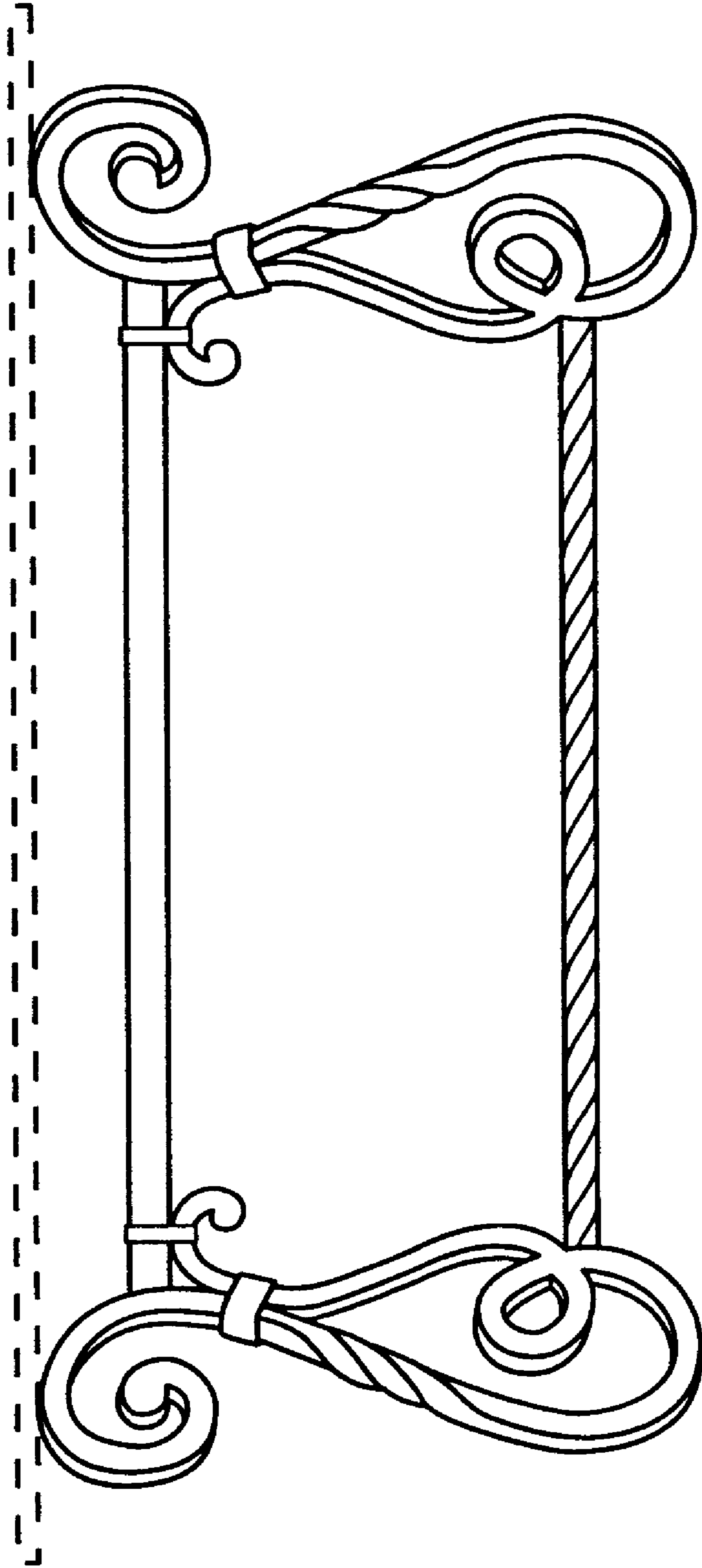


FIG. 2

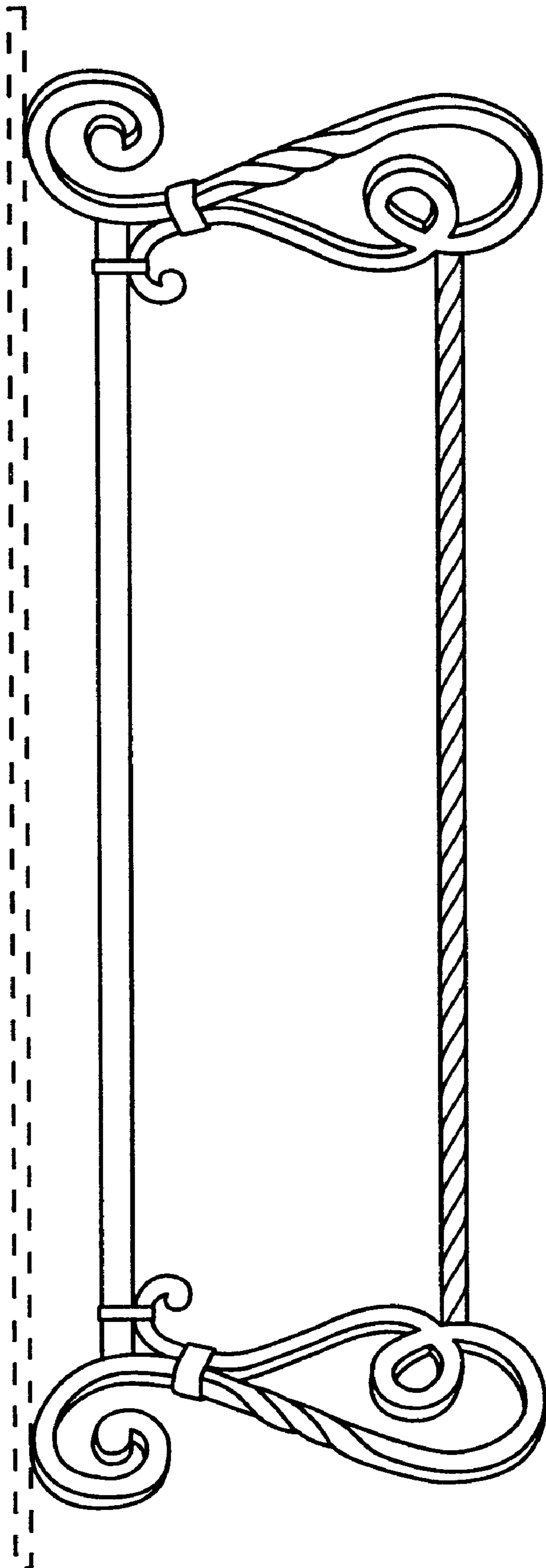


FIG. 3

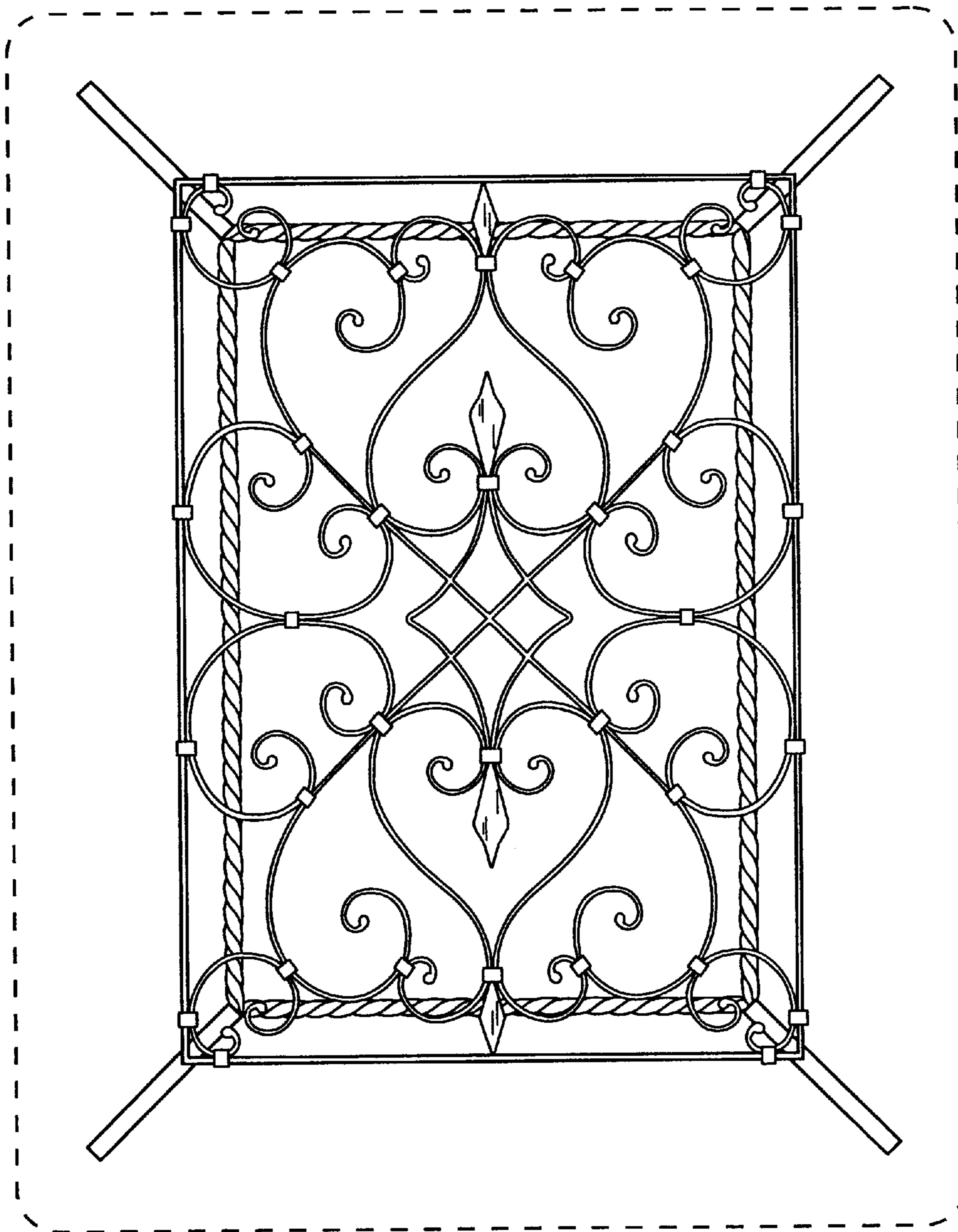


FIG. 4