



US00D448588B1

(12) **United States Design Patent**
O'Hare et al.

(10) **Patent No.:** **US D448,588 S**

(45) **Date of Patent:** **** Oct. 2, 2001**

(54) **TABLE**

D. 423,255 * 4/2000 O'Hare D6/484
D. 426,730 * 6/2000 Tseng D6/480

(75) Inventors: **Timothy Michael O'Hare; Scott Mark Risdon**, both of Greensboro; **Shawn Christopher Stanton**, High Point, all of NC (US)

OTHER PUBLICATIONS

Lane, Spring 1965, p. 18, #1051-52 table at top right.*
Two photocopies of scroll work by Gilbert Poillerat, circa 1930.

(73) Assignee: **Bernhardt, L.L.C.**, Lenoir, NC (US)

* cited by examiner

(**) Term: **14 Years**

Primary Examiner—Janice E. Seeger

(21) Appl. No.: **29/130,596**

(74) *Attorney, Agent, or Firm*—MacCord Mason PLLC

(22) Filed: **Oct. 5, 2000**

(57) **CLAIM**

(51) **LOC (7) Cl.** **06-03**

The ornamental design for a table, as shown and described.

(52) **U.S. Cl.** **D6/480**

DESCRIPTION

(58) **Field of Search** D6/480-489, 495-499,
D6/511; 108/153.1, 157.1, 155, 156, 161;
248/188, 188.1, 188.8

FIG. 1 is a perspective view of a table showing my new design;

FIG. 2 is a side view;

FIG. 3 is an opposite side view thereof; and,

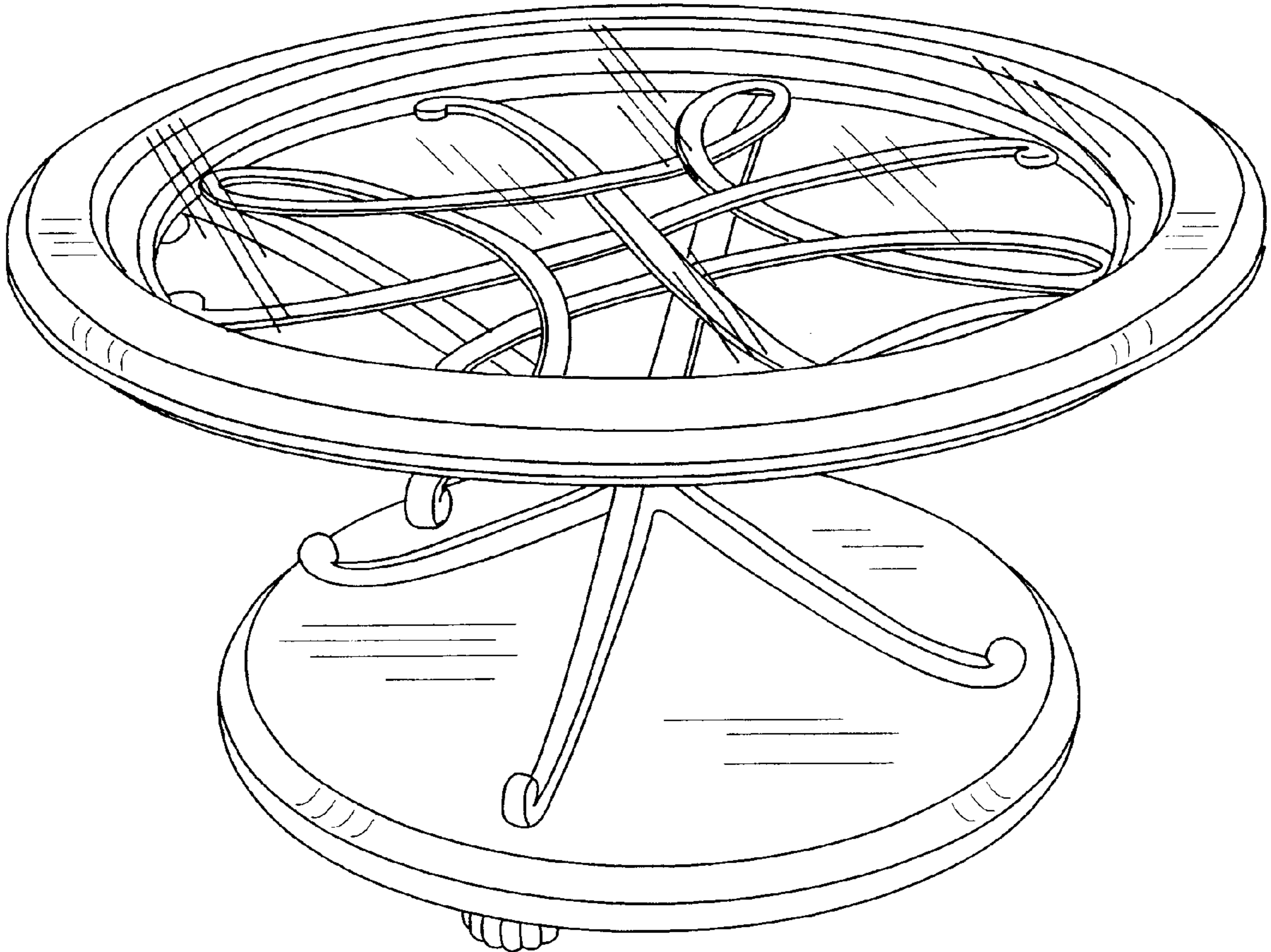
FIG. 4 is a top view.

(56) **References Cited**

U.S. PATENT DOCUMENTS

D. 369,253 * 4/1996 Martin D6/484

1 Claim, 3 Drawing Sheets



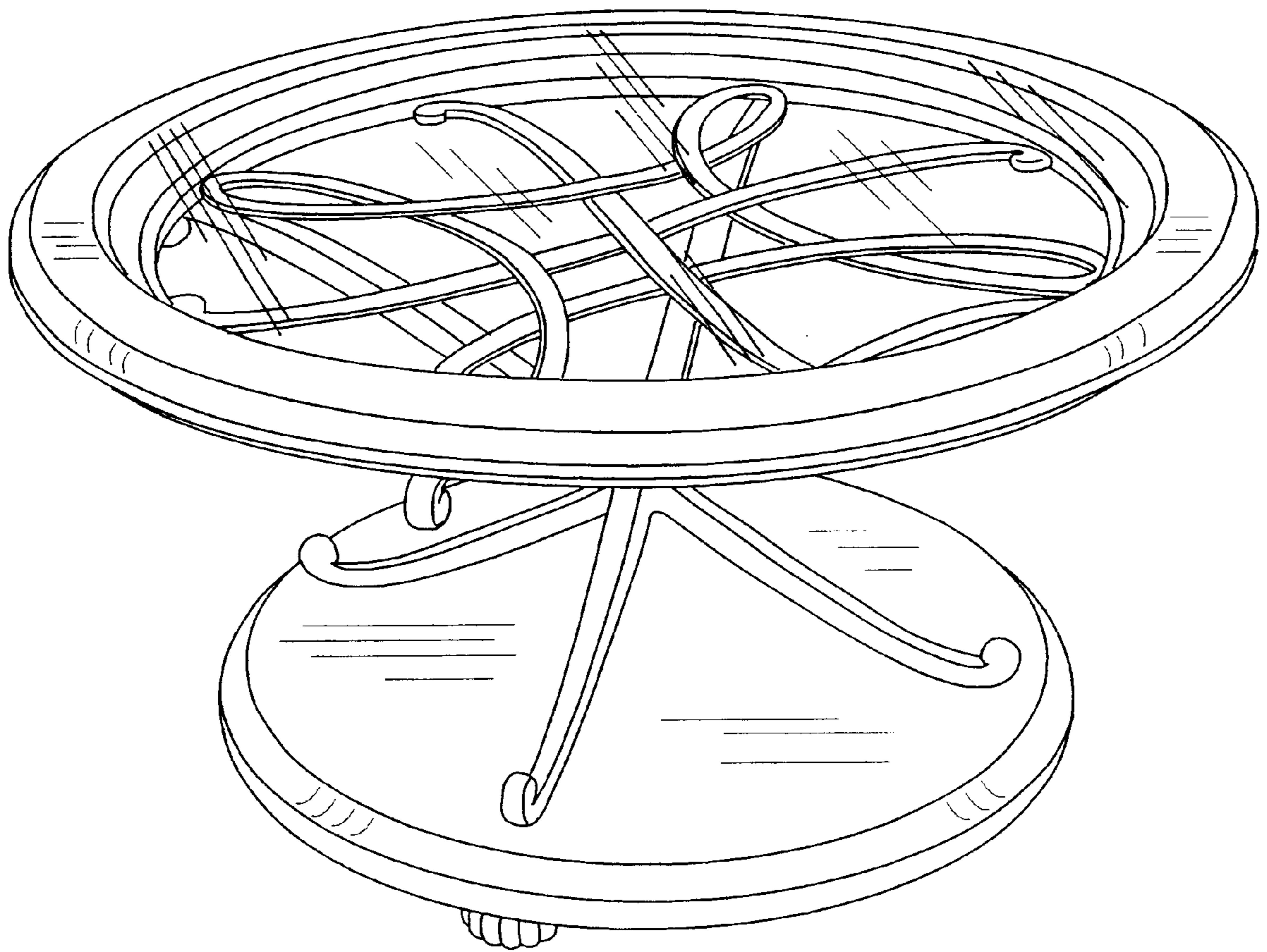


FIG.1

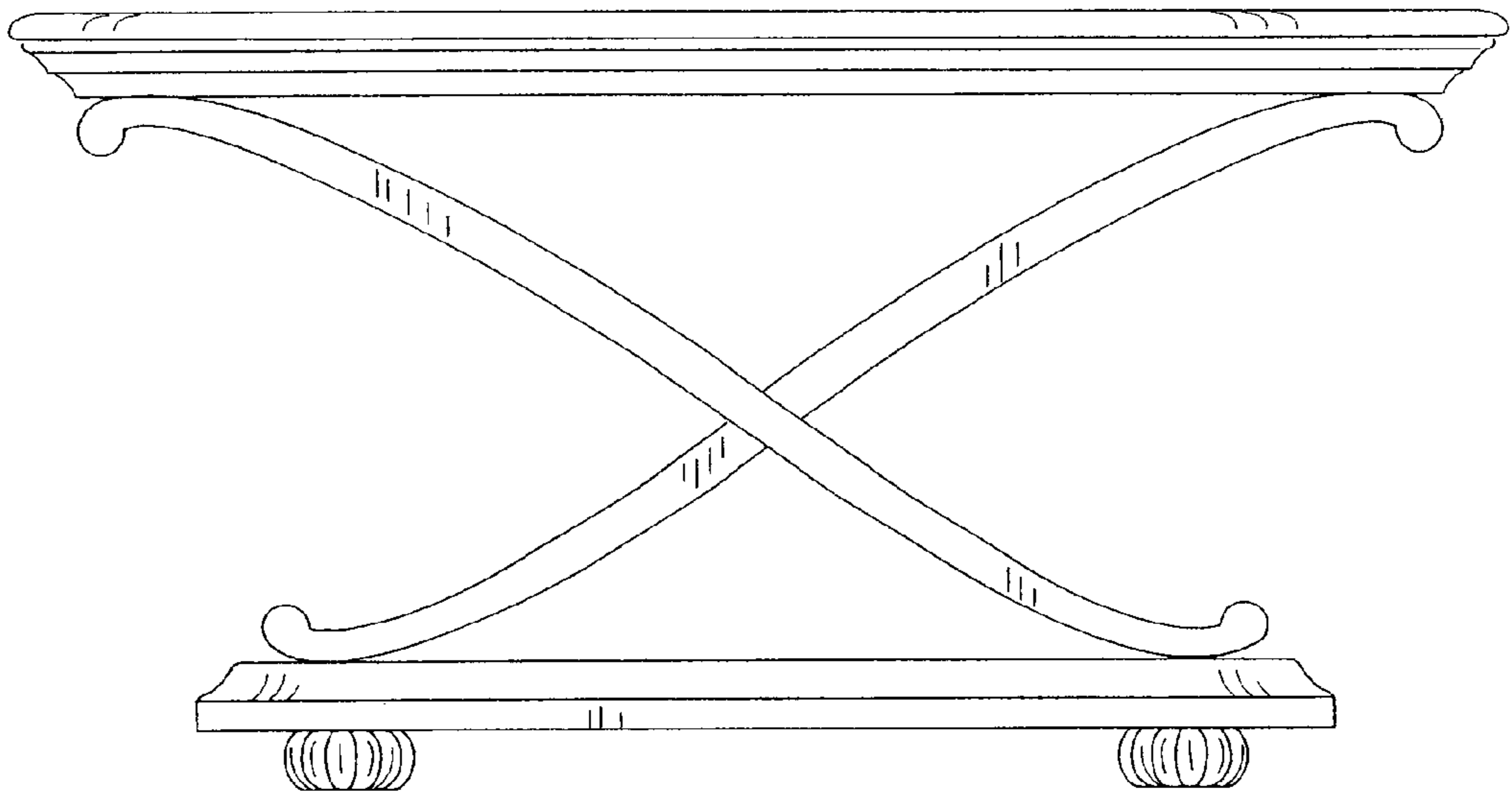


FIG.2

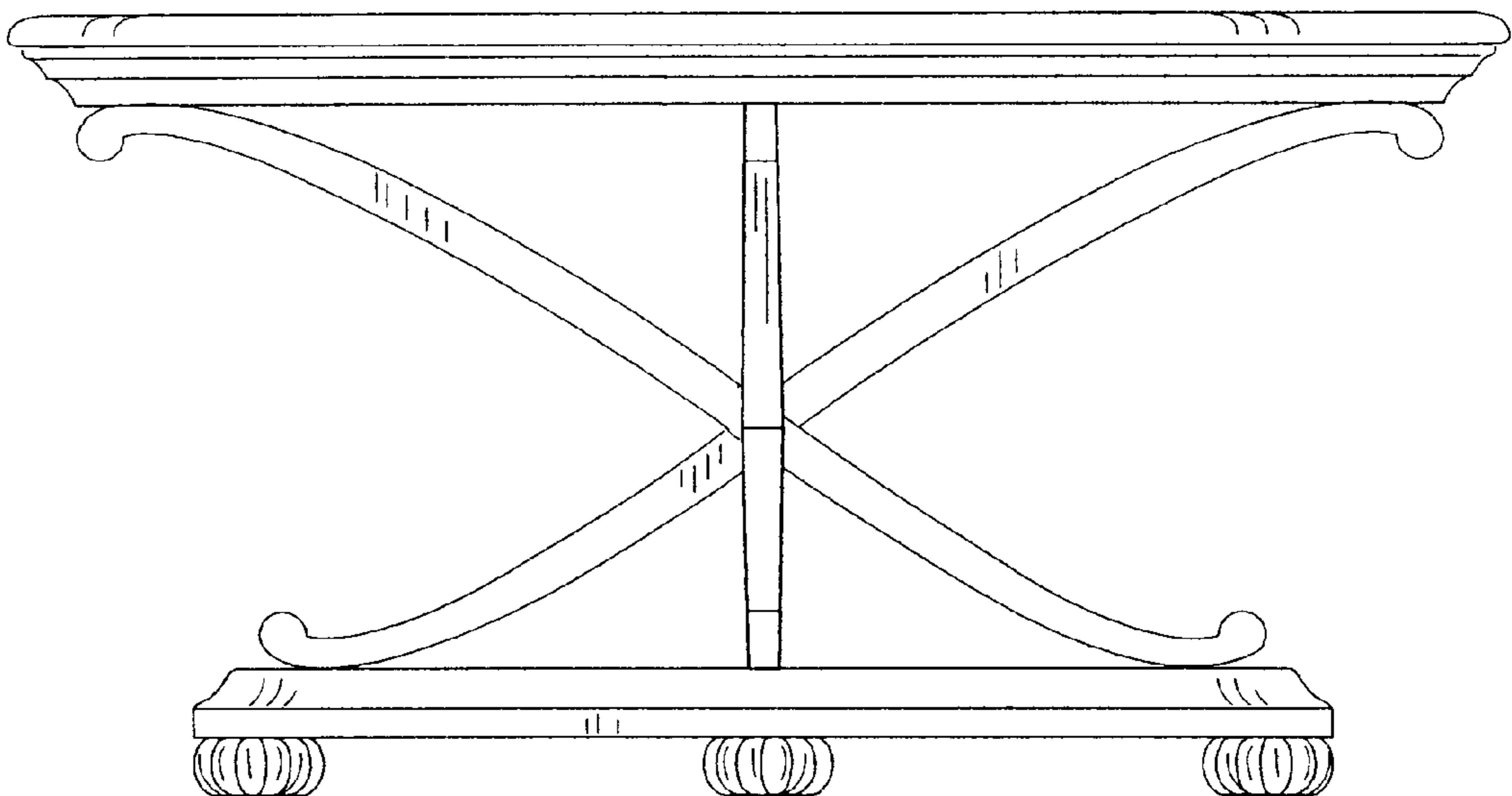


FIG.3

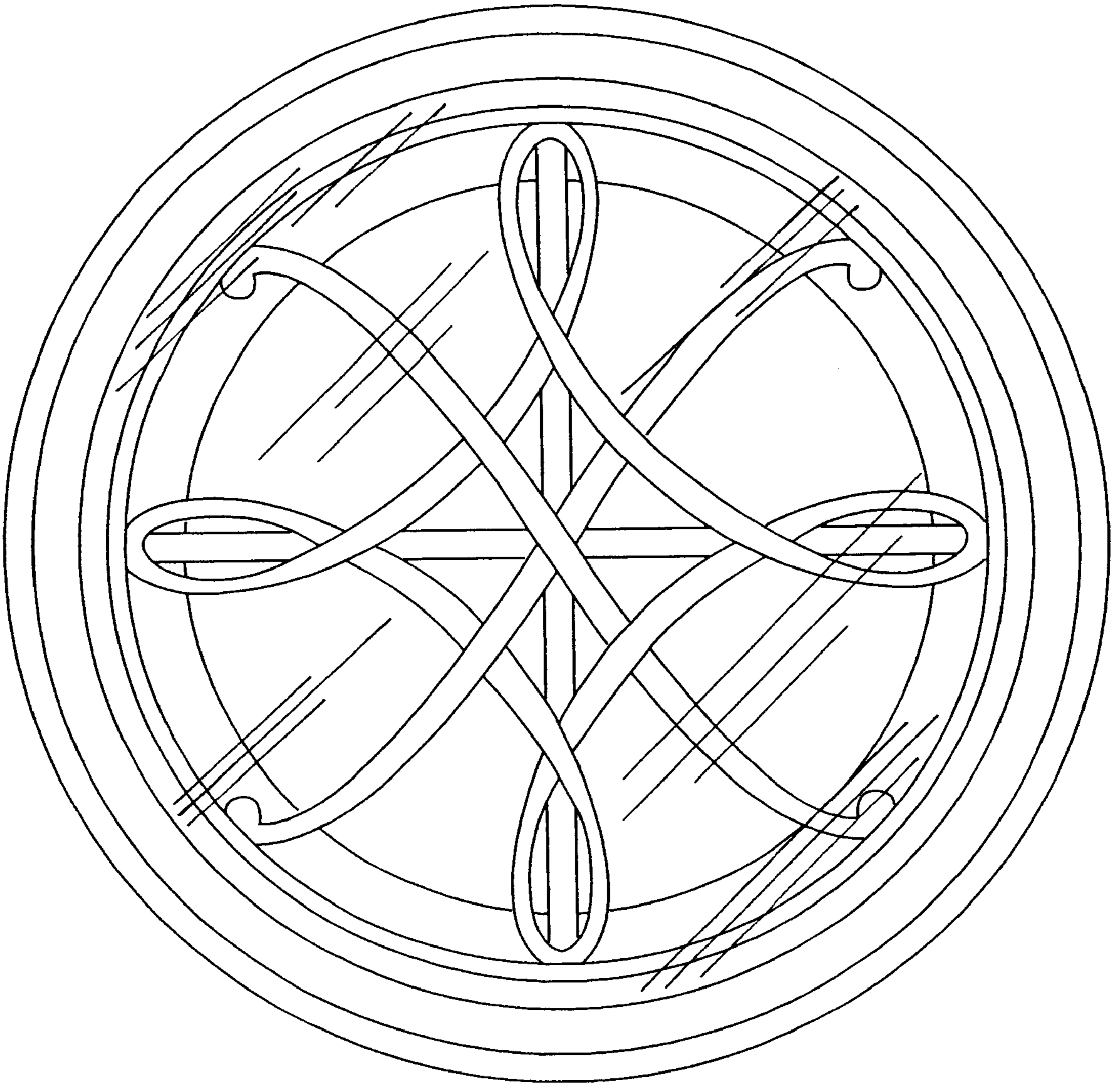


FIG. 4