



US00D448585B1

(12) **United States Design Patent**  
**Petri**

(10) **Patent No.:** **US D448,585 S**

(45) **Date of Patent:** **\*\* Oct. 2, 2001**

(54) **DESK UNIT**

(75) Inventor: **Manfred Petri**, Marietta, GA (US)

(73) Assignee: **Tella Systems (1998), Inc.**, LaSalle (CA)

(\*\*) Term: **14 Years**

(21) Appl. No.: **29/126,011**

(22) Filed: **Jul. 7, 2000**

(30) **Foreign Application Priority Data**

Feb. 15, 2000 (CA) ..... 2000-0464

(51) **LOC (7) Cl.** ..... **06-04**

(52) **U.S. Cl.** ..... **D6/427; D6/422**

(58) **Field of Search** ..... D6/422-428, 511;  
312/194-196, 239, 208.1, 198; 108/50.01,  
50.02

(56) **References Cited**

**U.S. PATENT DOCUMENTS**

3,992,067 \* 11/1976 Kane ..... 312/194  
5,623,881 \* 4/1997 Huang ..... 108/50  
6,070,956 \* 6/2000 Yates ..... 312/223.3

**OTHER PUBLICATIONS**

1988 Office Furniture Mart, p. 36, desk B in center.\*

\* cited by examiner

*Primary Examiner*—Janice E. Seeger

(74) *Attorney, Agent, or Firm*—Finnegan, Henderson, Farabow, Garrett and Dunner, L.L.P.

(57) **CLAIM**

The ornamental design for a desk unit, as shown and described.

**DESCRIPTION**

FIG. 1 is an isometric view of the desk unit of the present invention as a whole.

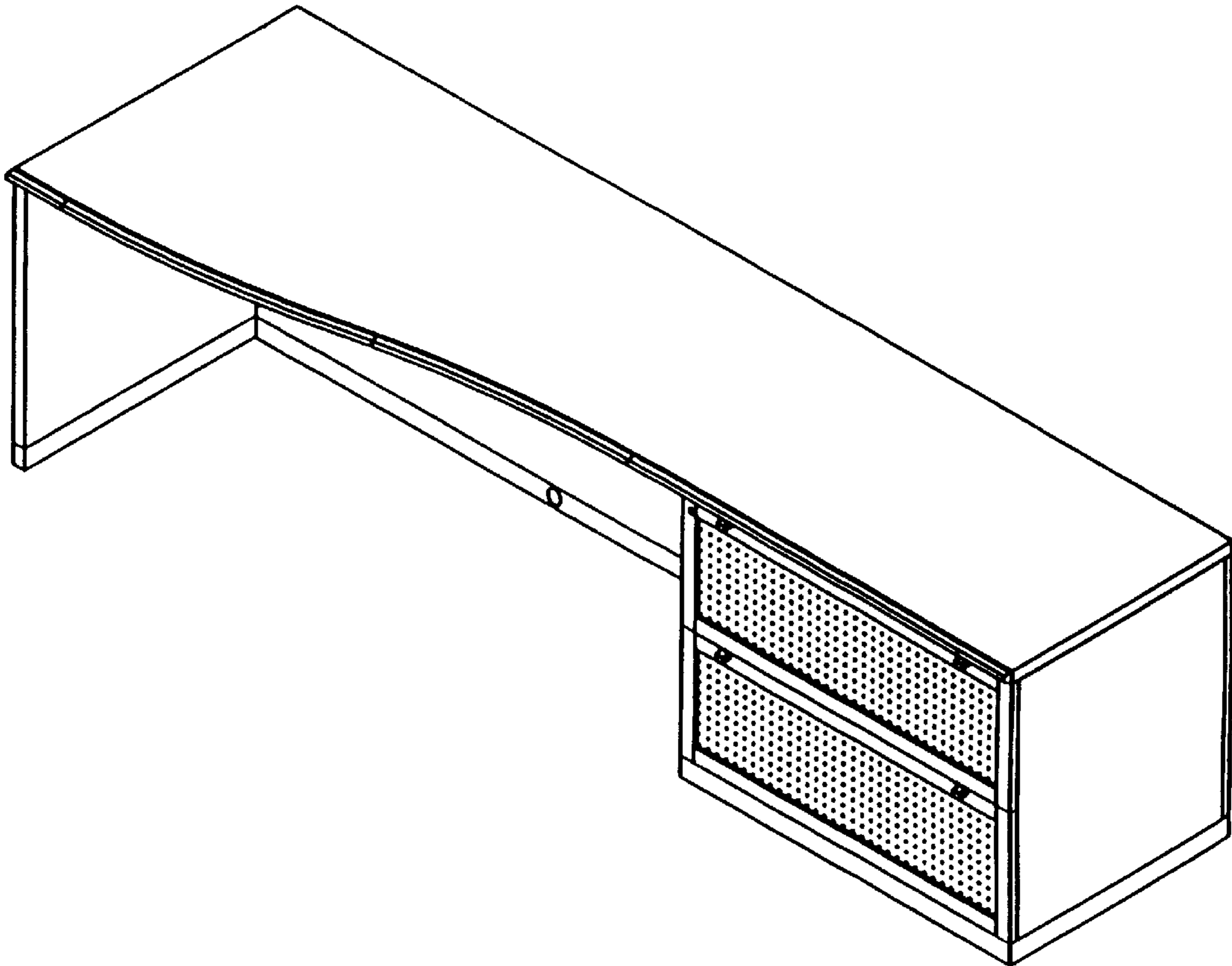
FIG. 2 is a top view of the work surface of the desk unit of the present invention in plan.

FIG. 3 is a front view of the desk unit of the present invention, viewing the drawer faces.

FIG. 4 is a side view of the desk unit of the present invention; and,

FIG. 5 is a side view of the top front edge of the desk unit of the present invention.

**1 Claim, 5 Drawing Sheets**



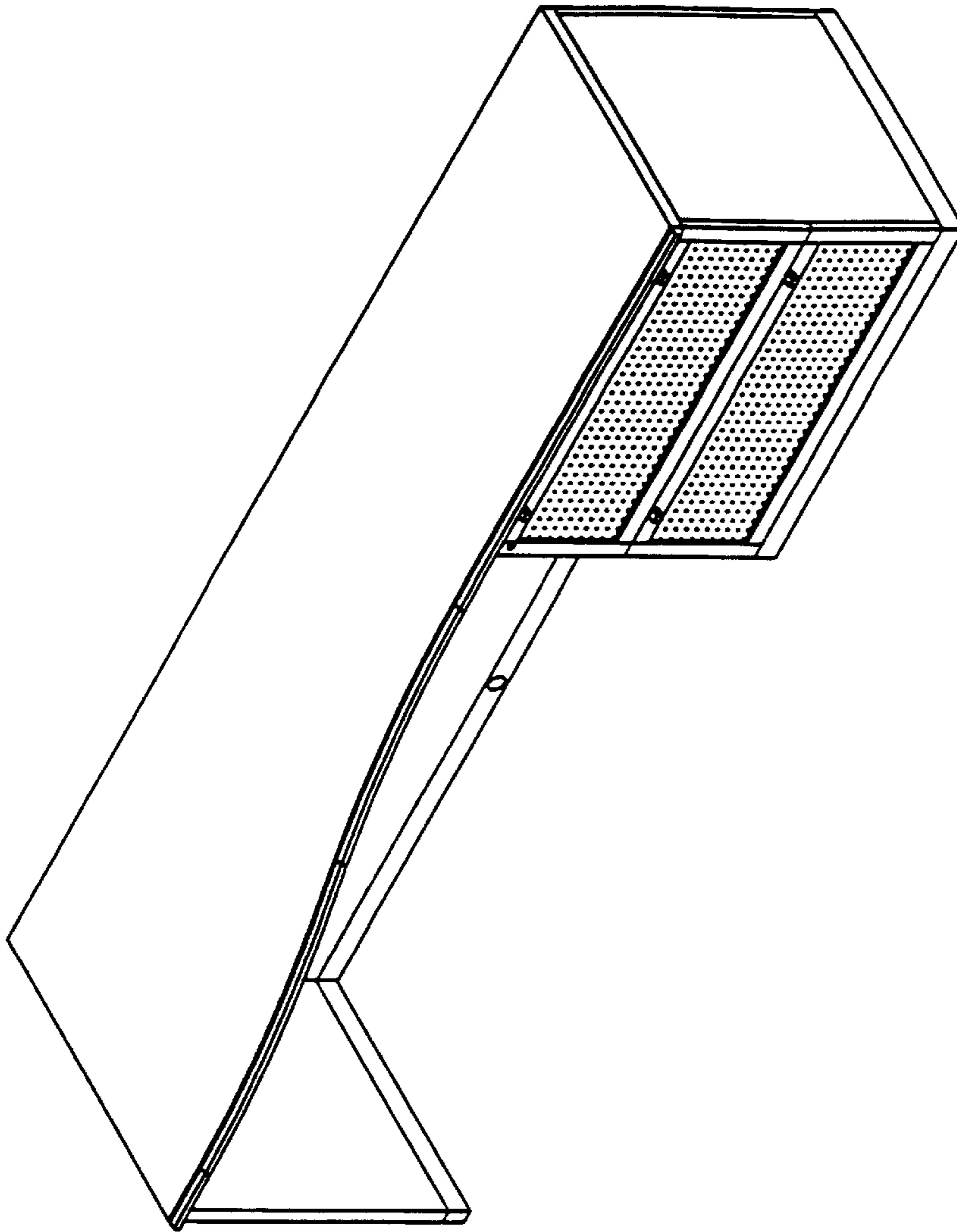


FIGURE 1

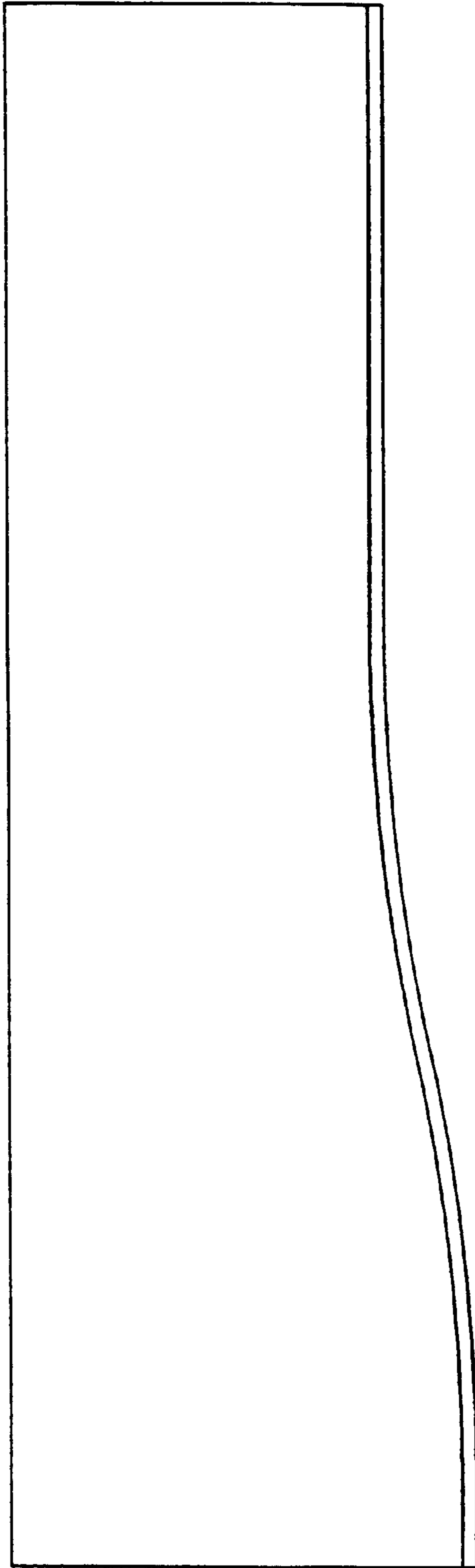


FIGURE 2

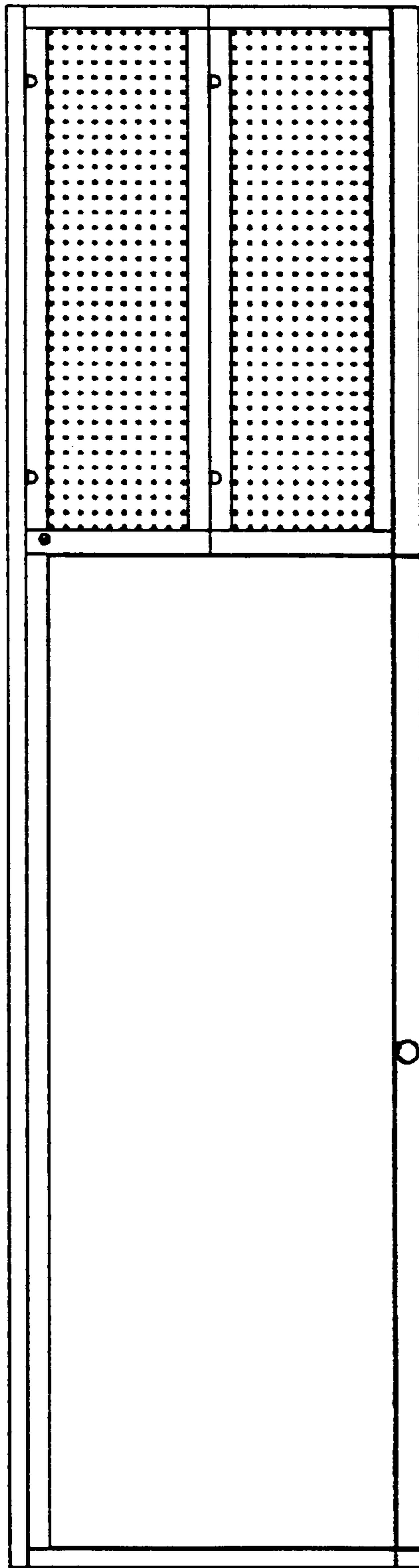


FIGURE 3

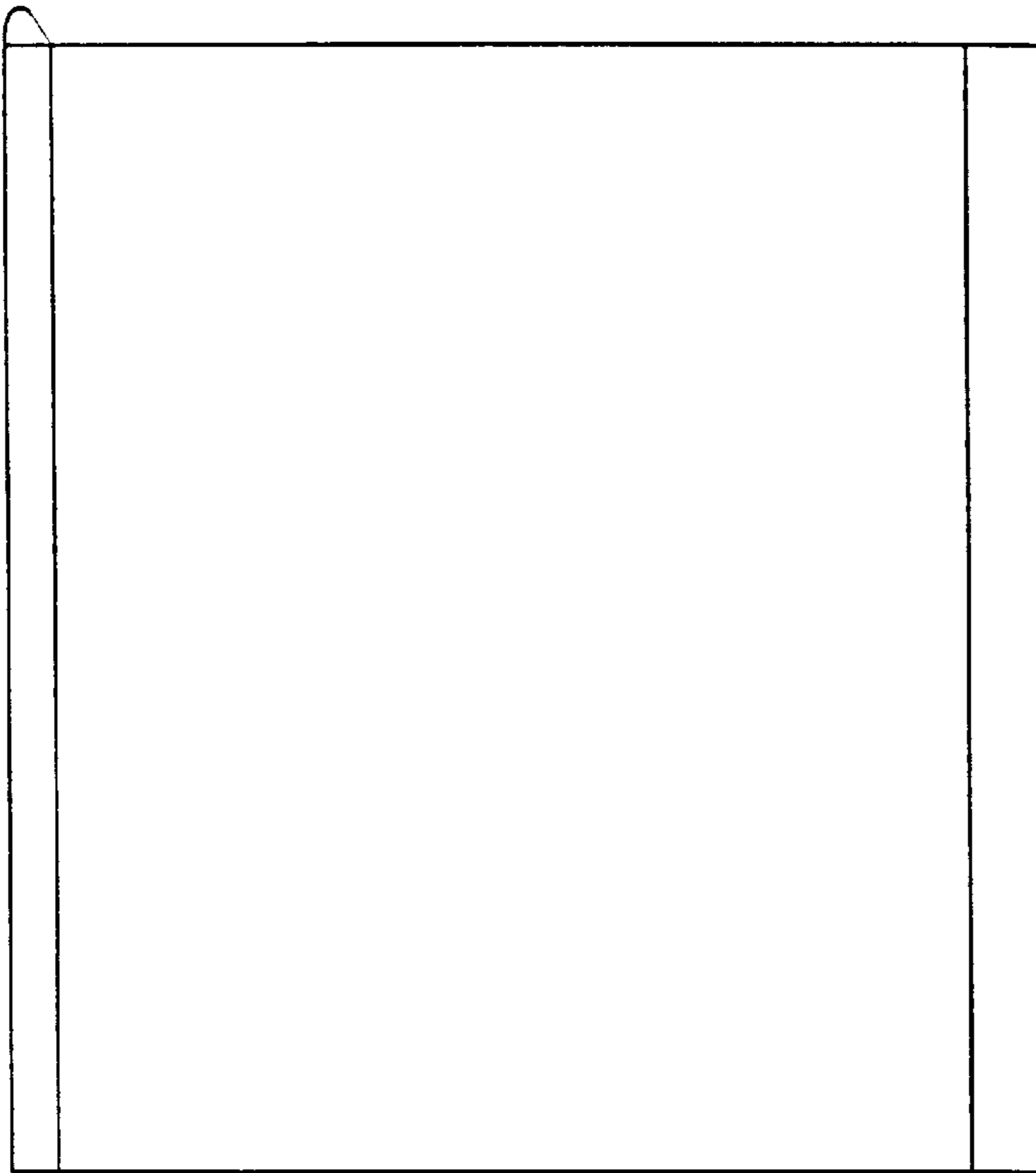


FIGURE 4

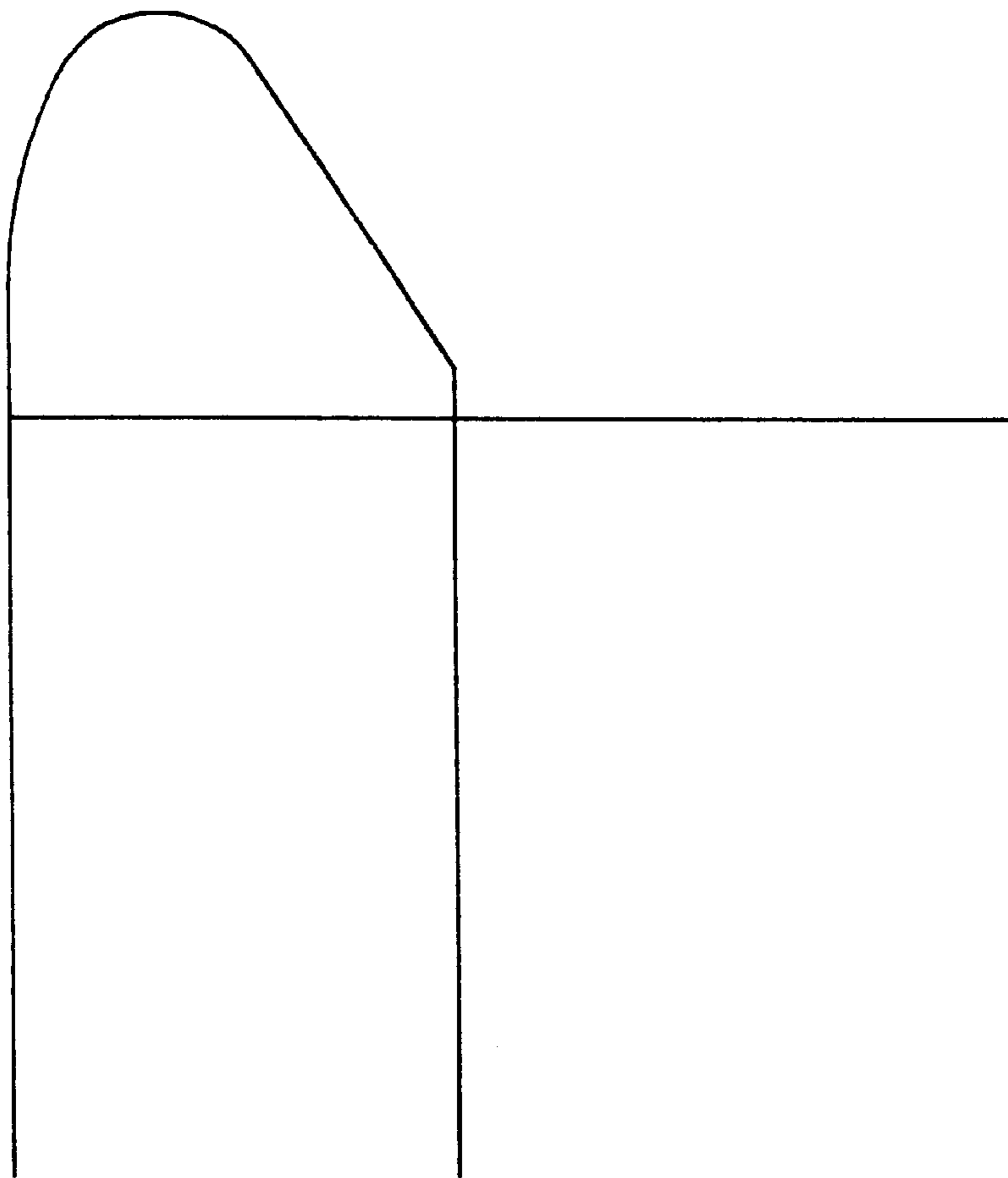


FIGURE 5