



US00D448572B1

(12) **United States Design Patent**
Gravlee

(10) **Patent No.:** **US D448,572 S**

(45) **Date of Patent:** **** Oct. 2, 2001**

(54) **COMBINED HOOF PICK, BRUSH, AND LID OPENER**

5,960,745 * 10/1999 Boyland 119/613
6,131,231 * 10/2000 Huang 15/105
6,176,319 * 1/2001 Ehrmann 168/48.1

(75) **Inventor:** **Frank Gravlee**, Cherokee, AL (US)

FOREIGN PATENT DOCUMENTS

(73) **Assignee:** **Life Data Labs, Inc.**, Cherokee, AL (US)

2312366 * 10/1997 (GB) .

(**) **Term:** **14 Years**

* cited by examiner

(21) **Appl. No.:** **29/116,651**

Primary Examiner—Alan P. Douglas

Assistant Examiner—Lavone Tabor

(22) **Filed:** **Jan. 10, 2000**

(74) *Attorney, Agent, or Firm*—Burns, Doane, Swecker & Mathis, LLP

(51) **LOC (7) Cl.** **04-01**

(57) **CLAIM**

(52) **U.S. Cl.** **D4/116; D4/118; D8/34; D30/158**

The ornamental design for a combined hoof pick, brush, and lid opener, as shown and described.

(58) **Field of Search** D4/116, 118; D8/34, D8/40; D30/158, 199; D32/42, 47; 15/105, 111, 113, 143.1; 16/430; 119/600, 613, 615; 168/45, 47, 48.1; 81/3.09

DESCRIPTION

(56) **References Cited**

FIG. 1 is a top plan view of my new design; FIG. 2 is a right side elevational view of FIG. 1, the left side view thereof being a mirror image of FIG. 2; FIG. 3 is a bottom plan view of FIG. 1; FIG. 4 is a right end view of FIG. 1; and, FIG. 5 is a left end view of FIG. 1.

U.S. PATENT DOCUMENTS

D. 319,954 * 9/1991 Able et al. D8/40 X
D. 382,453 * 8/1997 Drinkwater D8/40
4,367,798 * 1/1983 Sabol 168/45

1 Claim, 1 Drawing Sheet

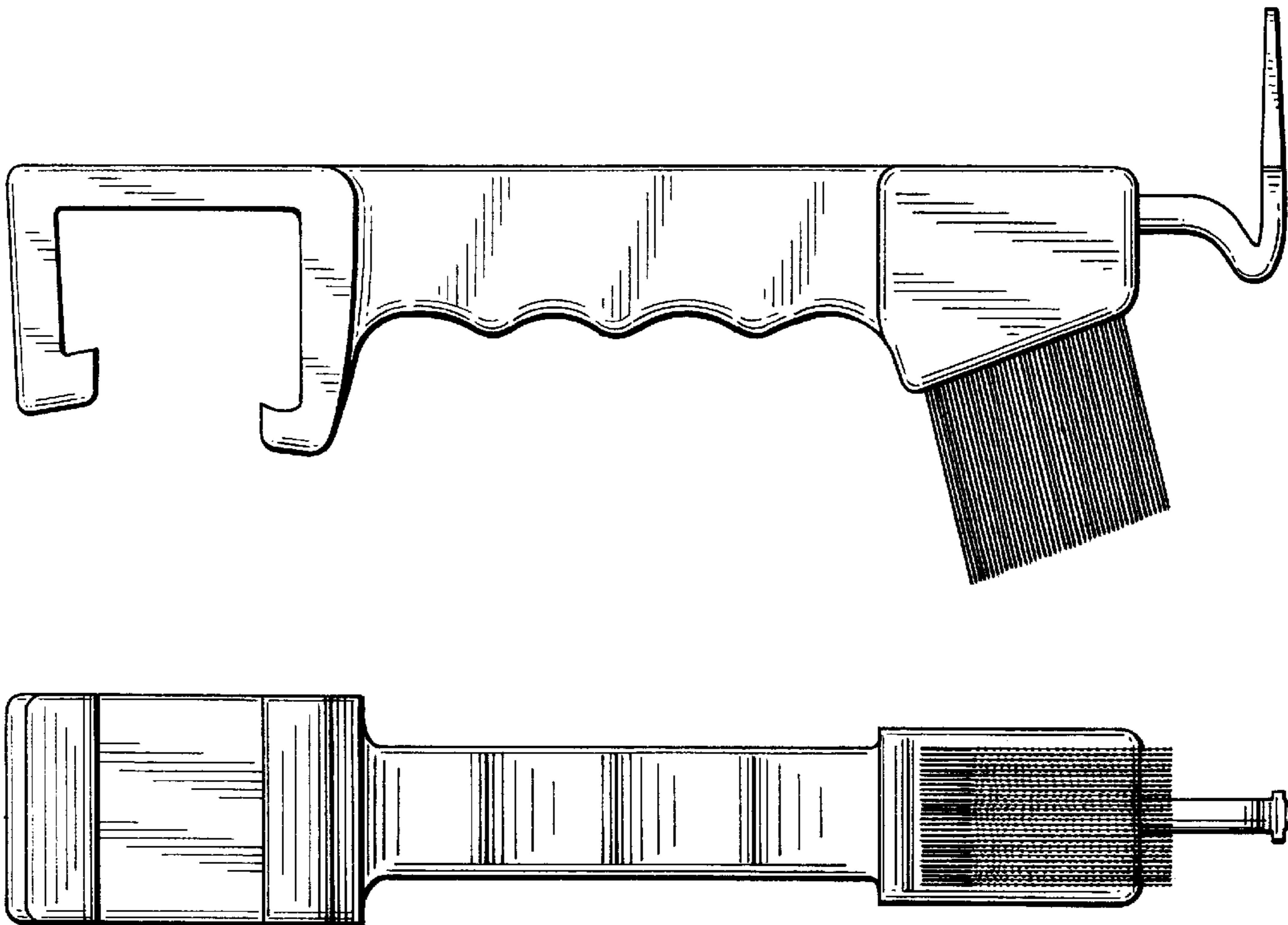




FIG. 1

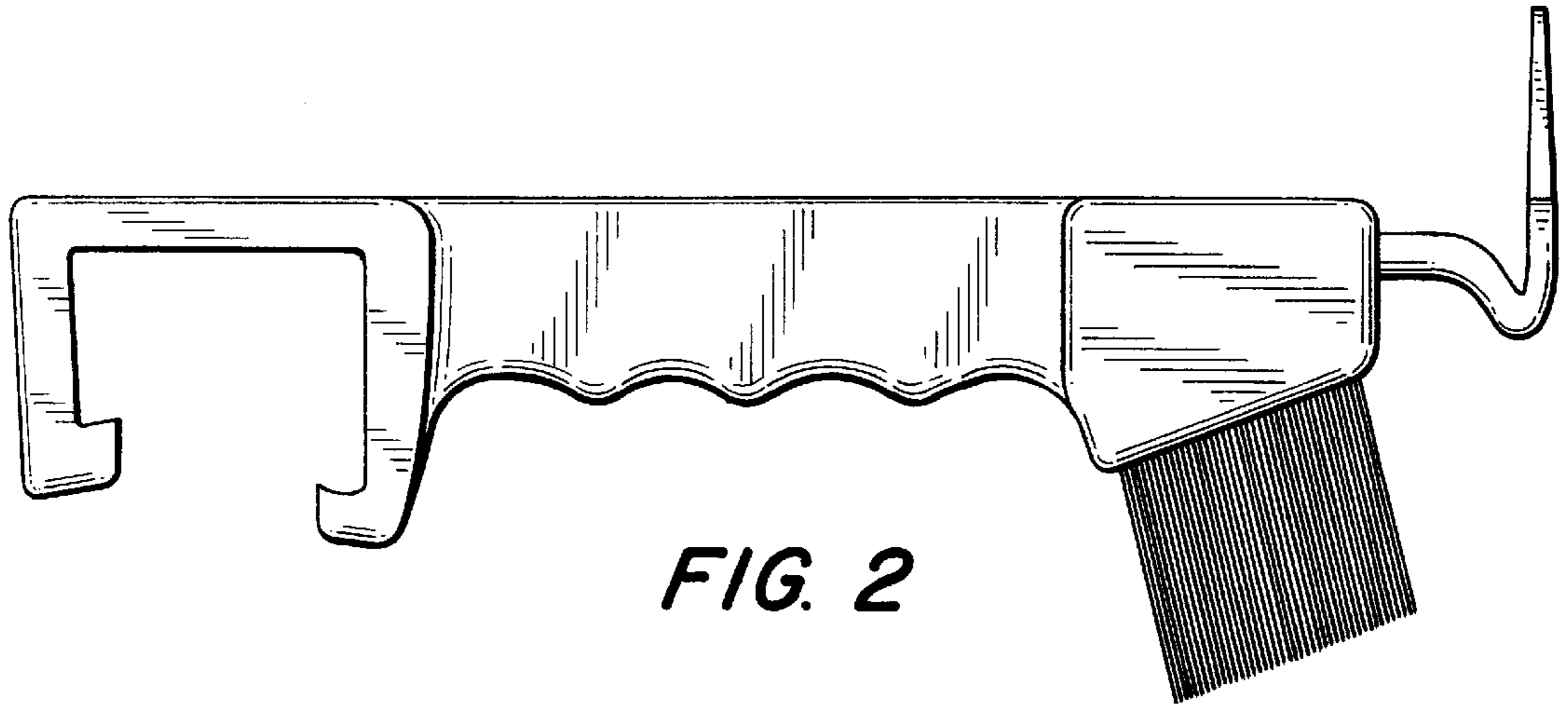


FIG. 2

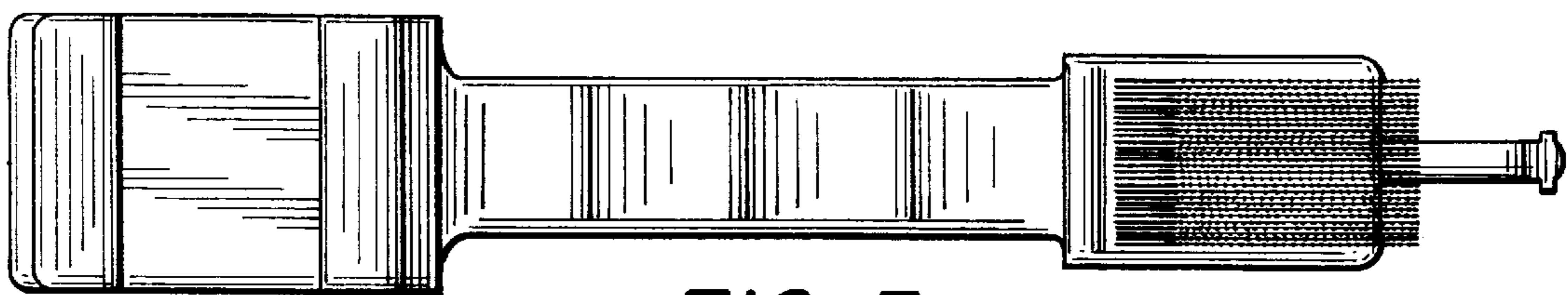


FIG. 3

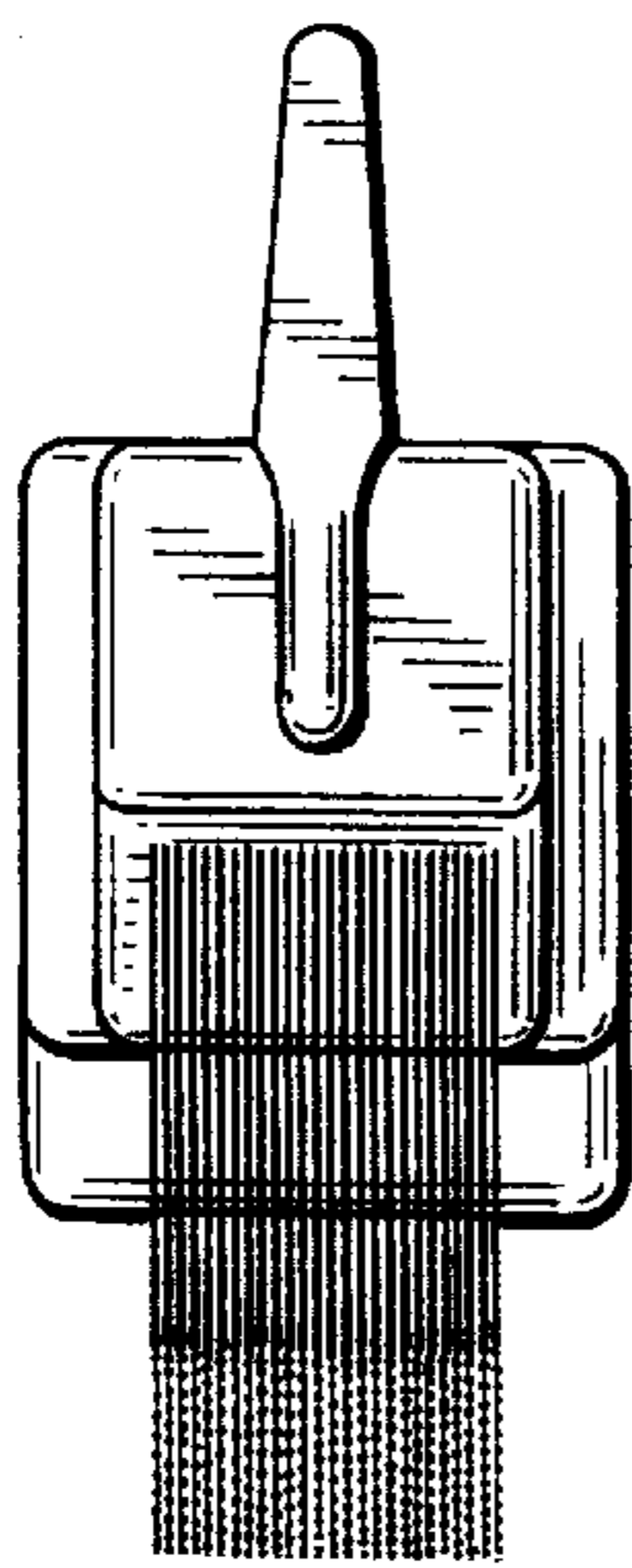


FIG. 4

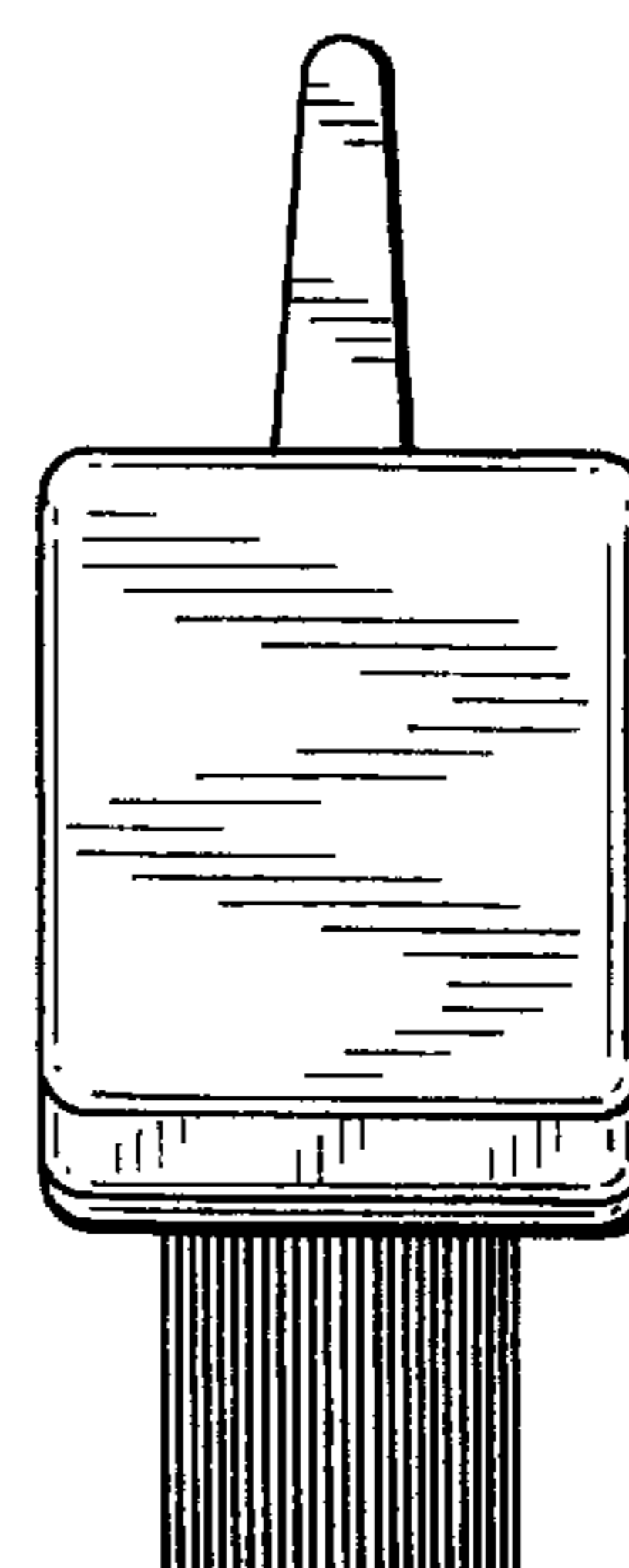


FIG. 5