



US00D448569B1

(12) **United States Design Patent**  
**Harris et al.**

(10) **Patent No.:** **US D448,569 S**

(45) **Date of Patent:** **\*\* \*Oct. 2, 2001**

(54) **BRISTLE HEAD FOR A TOOTHBRUSH**

(75) Inventors: **Michael Percival William Harris,**  
**Belle Meade; Alan G. Trojanowski,**  
**Monmouth Junction, both of NJ (US);**  
**Takayuki Watanabe,**  
**Fukushima-prefecture (JP)**

(73) Assignee: **McNeil-PPC, Inc., Skillman, NJ (US)**

(\* ) Notice: This patent is subject to a terminal disclaimer.

(\*\*) Term: **14 Years**

(21) Appl. No.: **29/130,743**

(22) Filed: **Oct. 6, 2000**

**Related U.S. Application Data**

(63) Continuation of application No. 29/093,457, filed on Sep. 11, 1998, now abandoned.

(51) **LOC (7) Cl.** ..... **04-02**

(52) **U.S. Cl.** ..... **D4/104**

(58) **Field of Search** ..... D4/104-112, 130,  
D4/132, 134, 136; 15/110, 159.1, 160,  
167.1, 167.2, 176.1, 186-188, 207.2, DIG. 5,  
DIG. 6; 132/308; 601/139, 141

(56) **References Cited**

**U.S. PATENT DOCUMENTS**

D. 368,803 \* 4/1996 Yost et al. .... D4/104

D. 387,205 \* 12/1997 Moskovich ..... D4/104  
D. 402,116 \* 12/1998 Magloff et al. .... D4/104  
4,268,933 \* 5/1981 Papas ..... 15/167.1  
4,373,541 \* 2/1983 Nishioka ..... 15/167.1  
4,646,381 \* 3/1987 Weihrauch ..... 15/167.1  
5,799,353 \* 9/1998 Oishi et al. .... 15/167.1  
5,802,656 \* 9/1998 Dawson et al. .... 15/110

**FOREIGN PATENT DOCUMENTS**

9-182626 \* 7/1997 (JP) .  
9-182628 \* 7/1997 (JP) .  
WO 95/06420 \* 3/1995 (WO) .

\* cited by examiner

*Primary Examiner*—Alan P. Douglas

*Assistant Examiner*—Lavone Tabor

(74) *Attorney, Agent, or Firm*—Lawrence D. Schuler

(57) **CLAIM**

The ornamental design for a bristle head for a toothbrush, substantially as shown and described.

**DESCRIPTION**

FIG. 1 is a perspective view showing the bristle head of our new design;

FIG. 2 is a top plan view thereof;

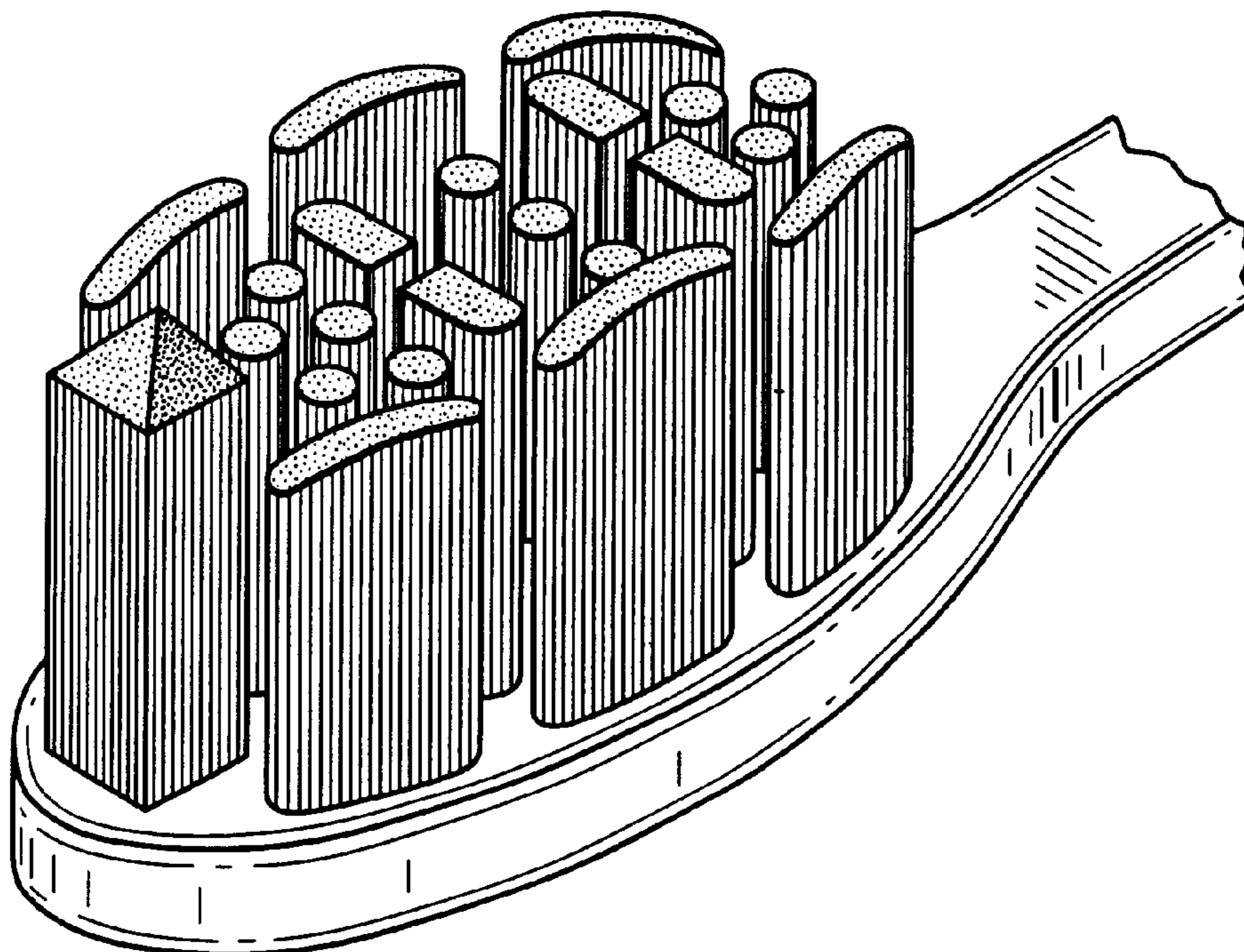
FIG. 3 is a side elevational view thereof, the opposite side being a mirror image;

FIG. 4 is a bottom plan view thereof;

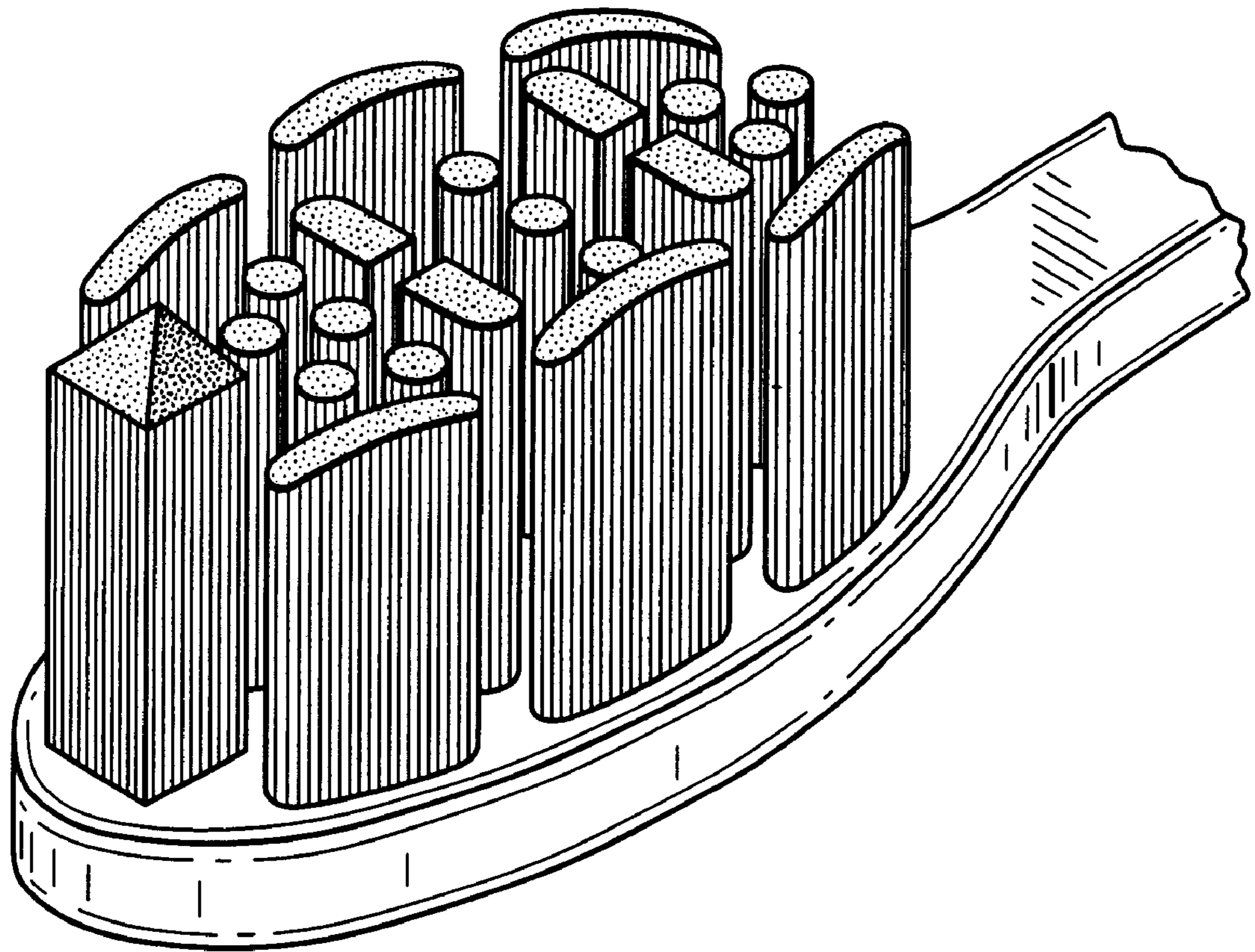
FIG. 5 is a front elevational view thereof; and,

FIG. 6 is a rear elevational view thereof.

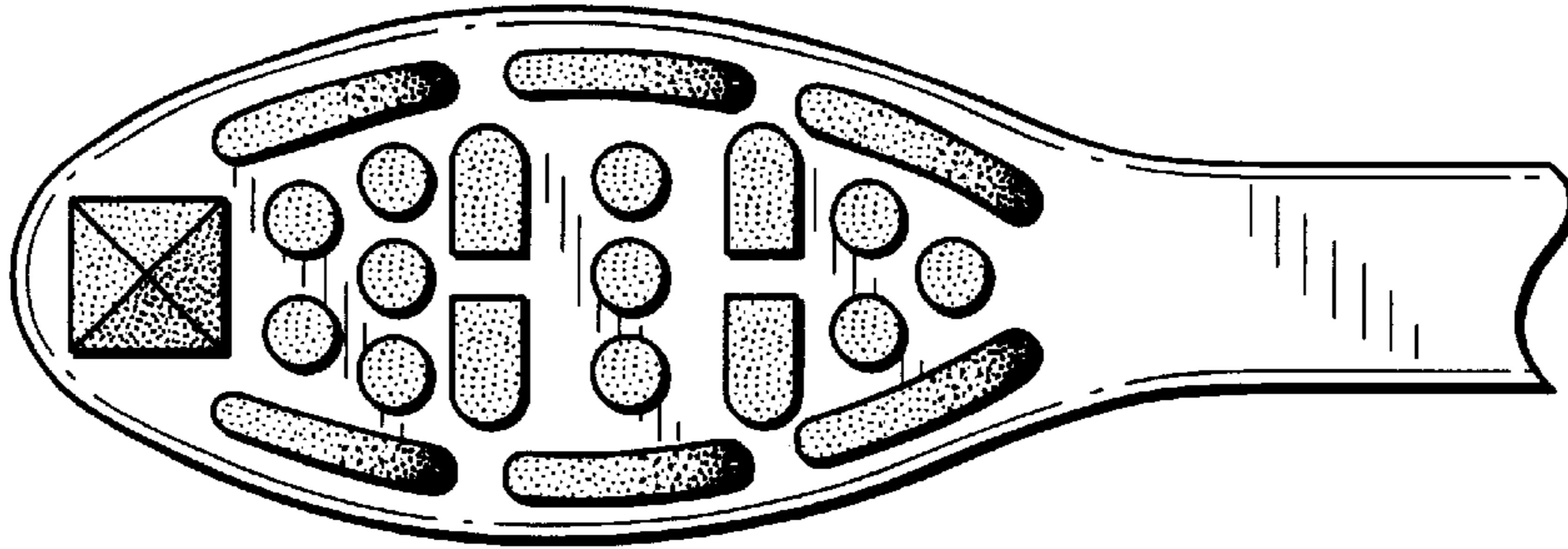
**1 Claim, 3 Drawing Sheets**



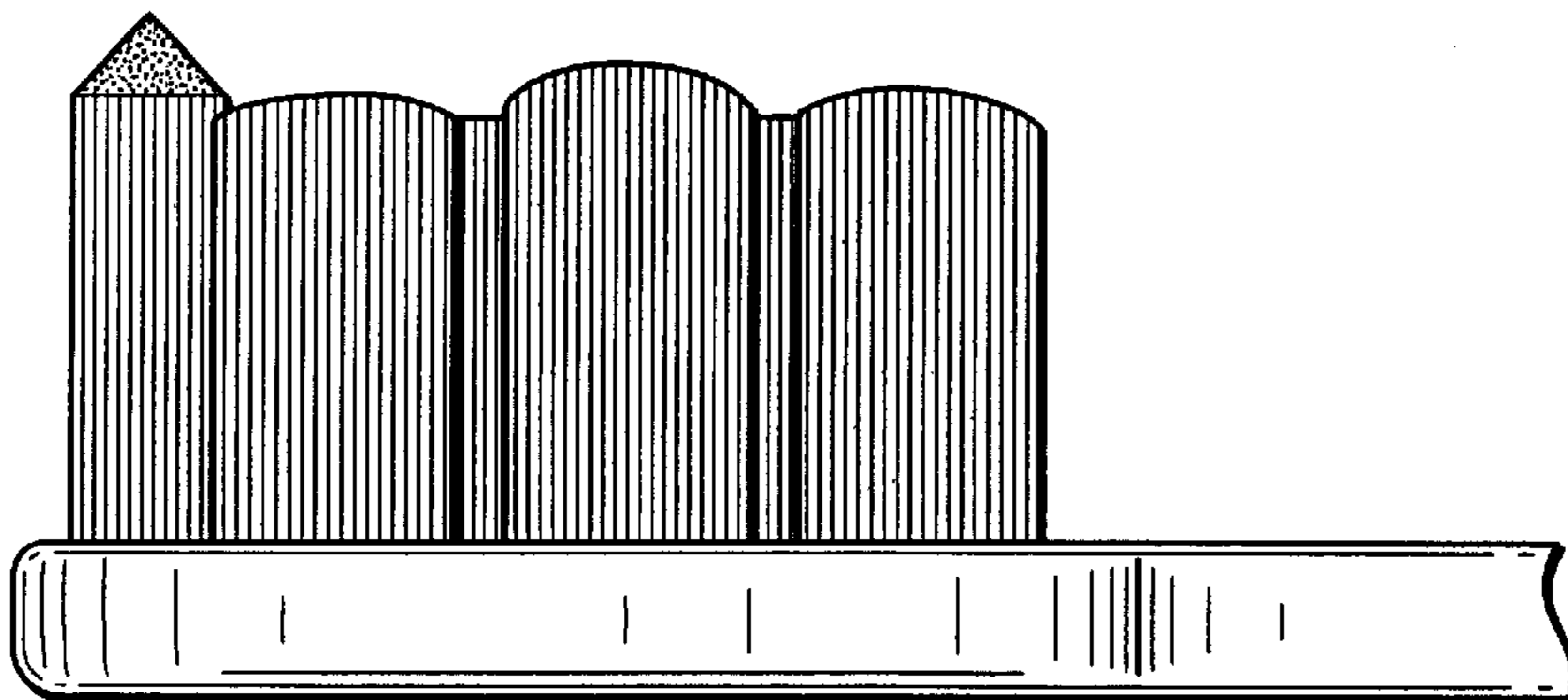
**FIG. 1**



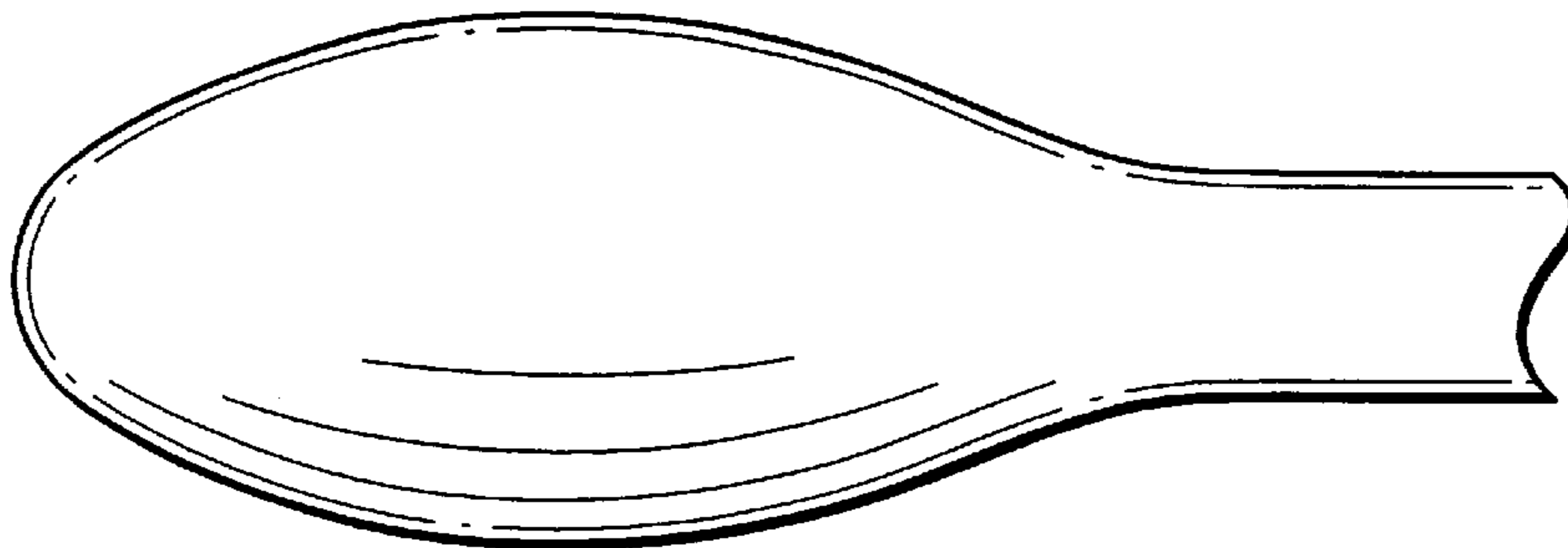
**FIG. 2**



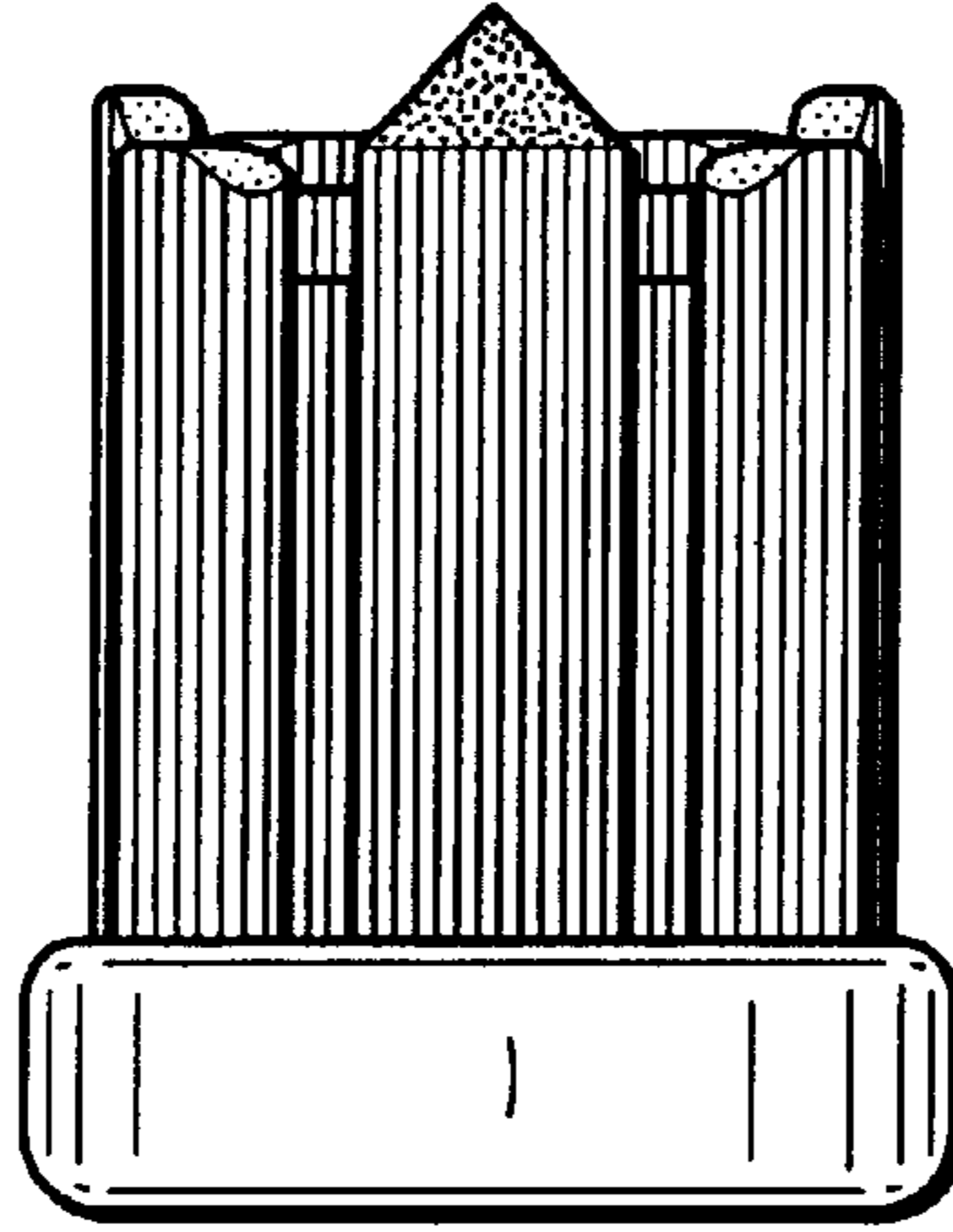
**FIG. 3**



**FIG. 4**



**FIG. 5**



**FIG. 6**

