



US00D448568B1

(12) **United States Design Patent**  
**Sadr**

(10) **Patent No.:** **US D448,568 S**

(45) **Date of Patent:** **\*\* Oct. 2, 2001**

(54) **BANANA CRATE**

(75) **Inventor:** **Changize Sadr, North York (CA)**

(73) **Assignee:** **Salflex Polymers Limited, Weston (CA)**

(\*\*) **Term:** **14 Years**

(21) **Appl. No.:** **29/124,235**

(22) **Filed:** **Jun. 2, 2000**

(30) **Foreign Application Priority Data**

May 8, 2000 (CA) ..... 2000-1169

(51) **LOC (7) Cl.** ..... **03-01**

(52) **U.S. Cl.** ..... **D3/314**

(58) **Field of Search** ..... D3/304, 307, 309,  
D3/312, 313, 314, 315; D9/424, 425, 429;  
206/518, 45.2, 751, 752; 220/608, 671,  
675

(56) **References Cited**

**U.S. PATENT DOCUMENTS**

D. 302,620 \* 8/1989 Quong ..... D3/314

D. 341,464 \* 11/1993 Beauchamp ..... D3/312  
D. 372,583 \* 8/1996 Brightbill ..... D3/314  
D. 424,298 \* 5/2000 Laib ..... D3/307  
D. 425,704 \* 5/2000 Zamecnik ..... D3/309

\* cited by examiner

*Primary Examiner*—Louis S. Zarfes

*Assistant Examiner*—Catherine R. Oliver

(57) **CLAIM**

The ornamental design for a banana crate, as shown and described.

**DESCRIPTION**

FIG. 1 is a top front perspective view of the banana crate showing my new design;

FIG. 2 is a bottom rear perspective view thereof;

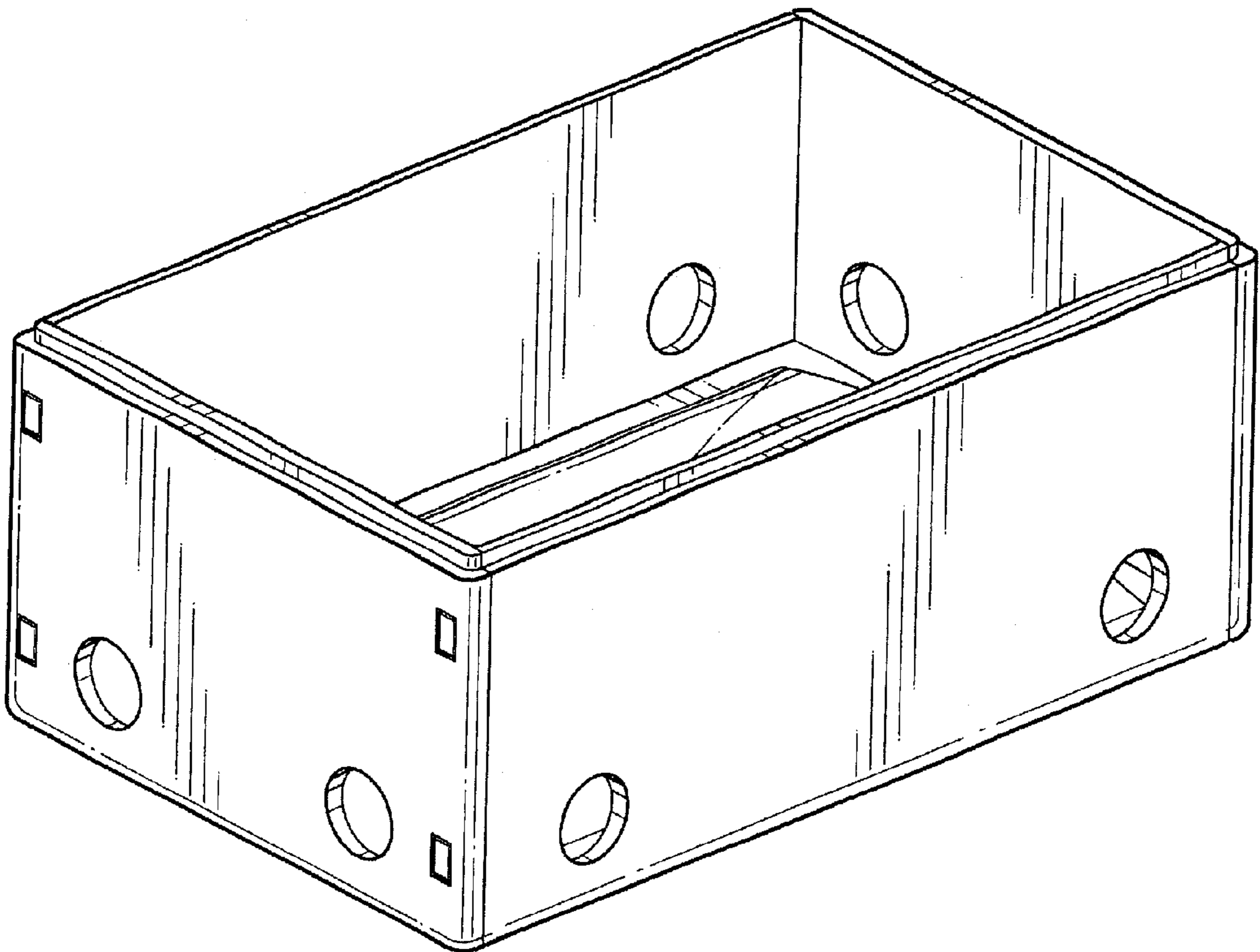
FIG. 3 is a top plan view thereof;

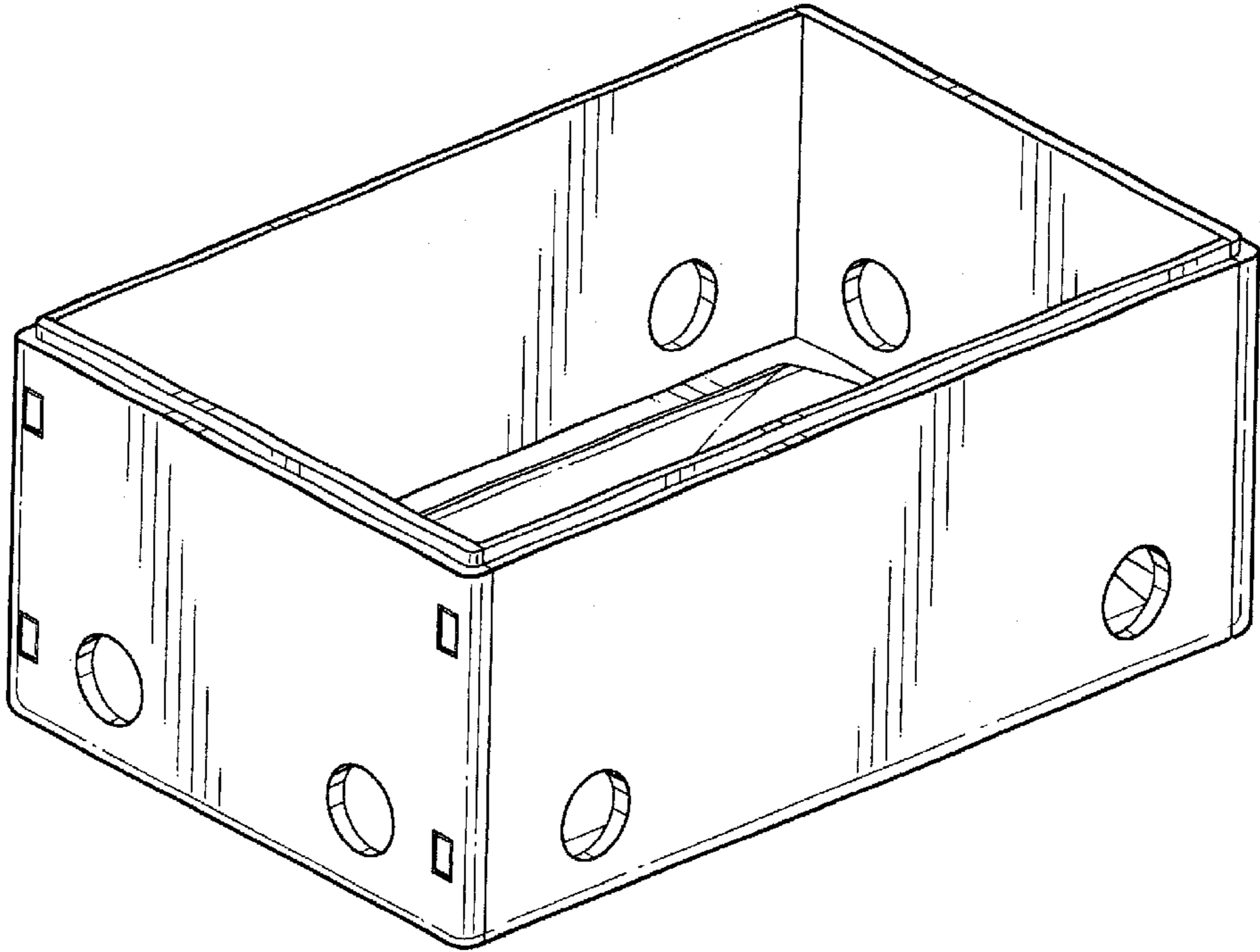
FIG. 4 is a bottom plan view thereof;

FIG. 5 is a side elevational view thereof, the other side being identical; and,

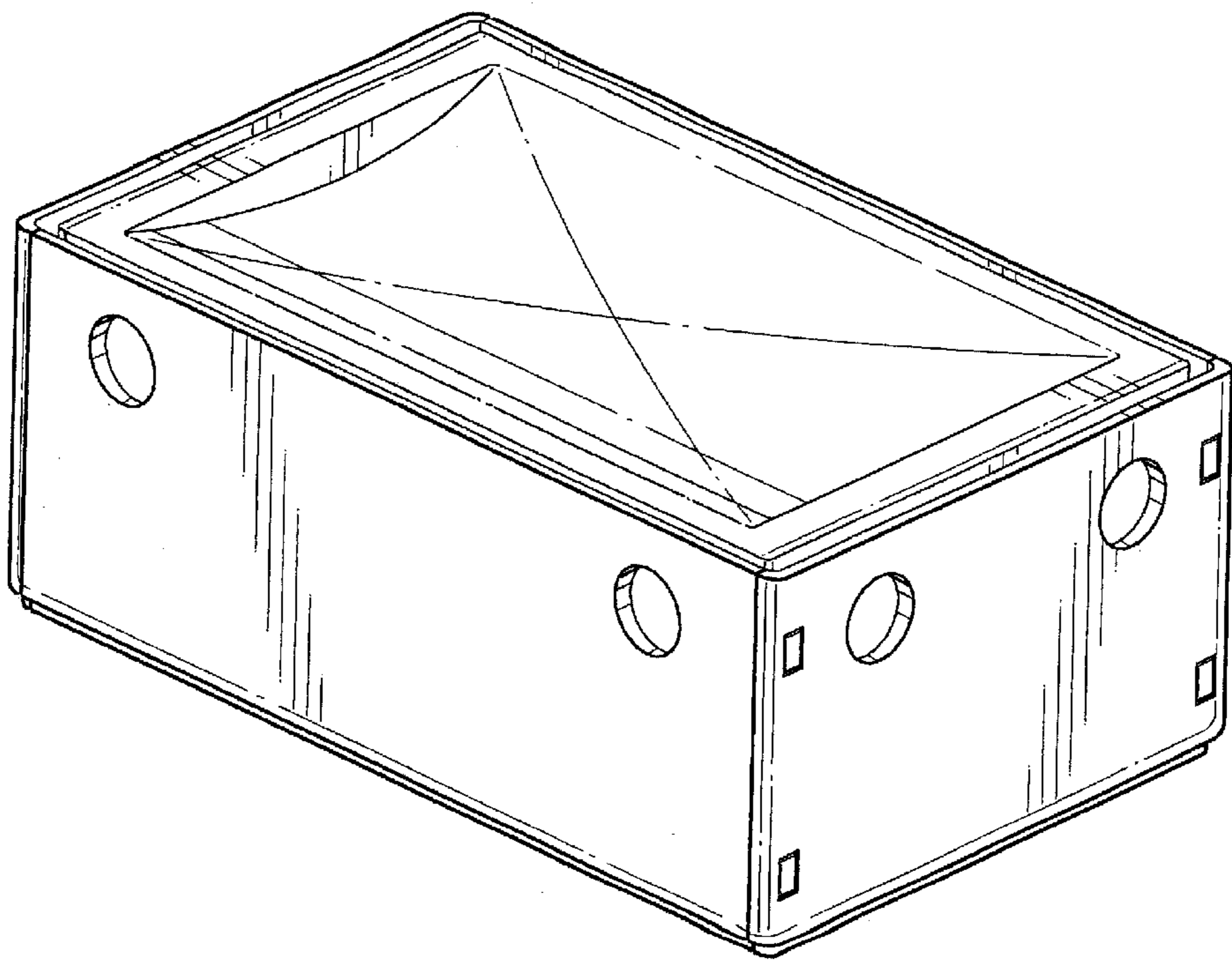
FIG. 6 is a front elevational view, with the rear elevational view being identical.

**1 Claim, 3 Drawing Sheets**

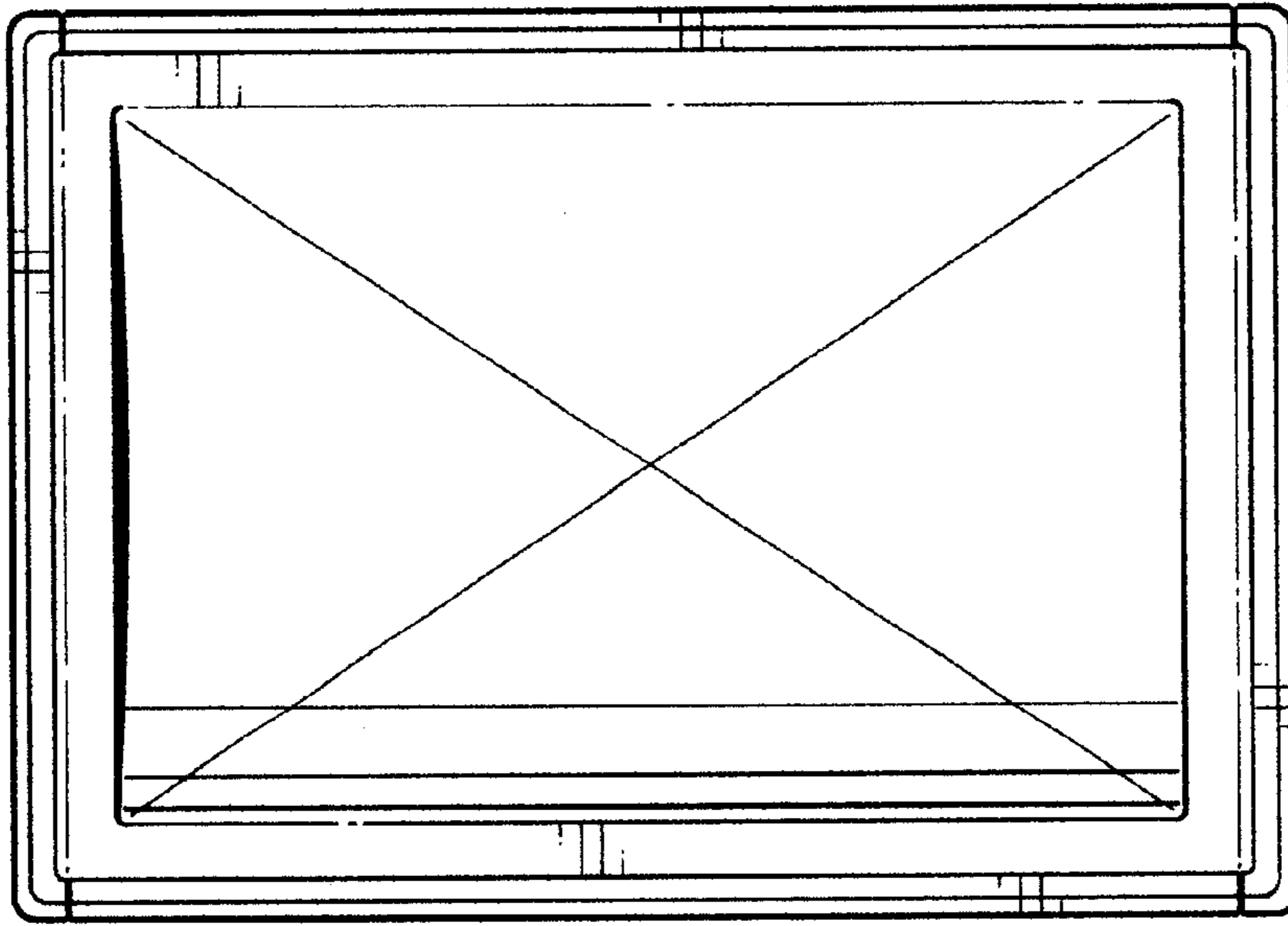




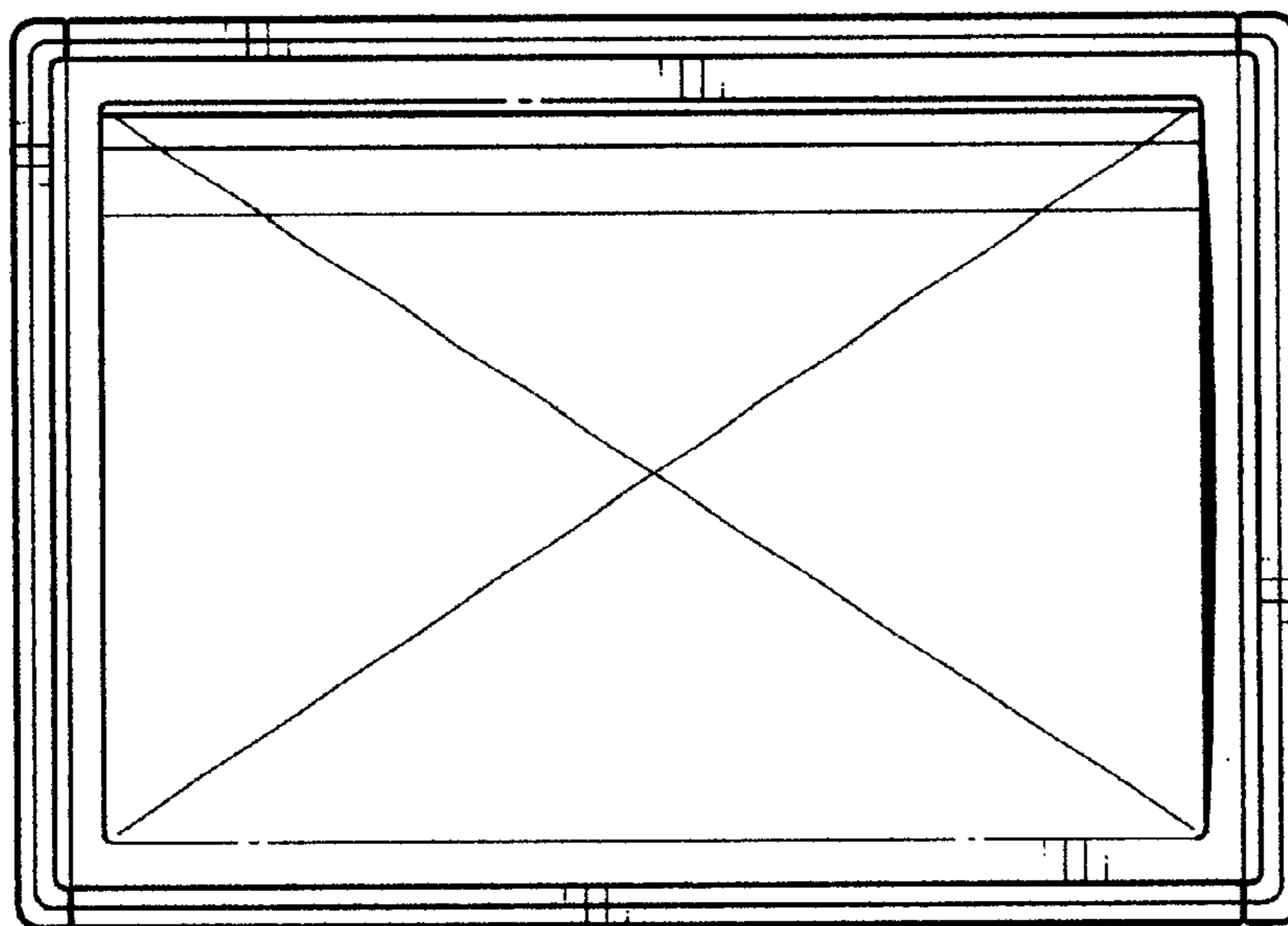
*FIG. 1*



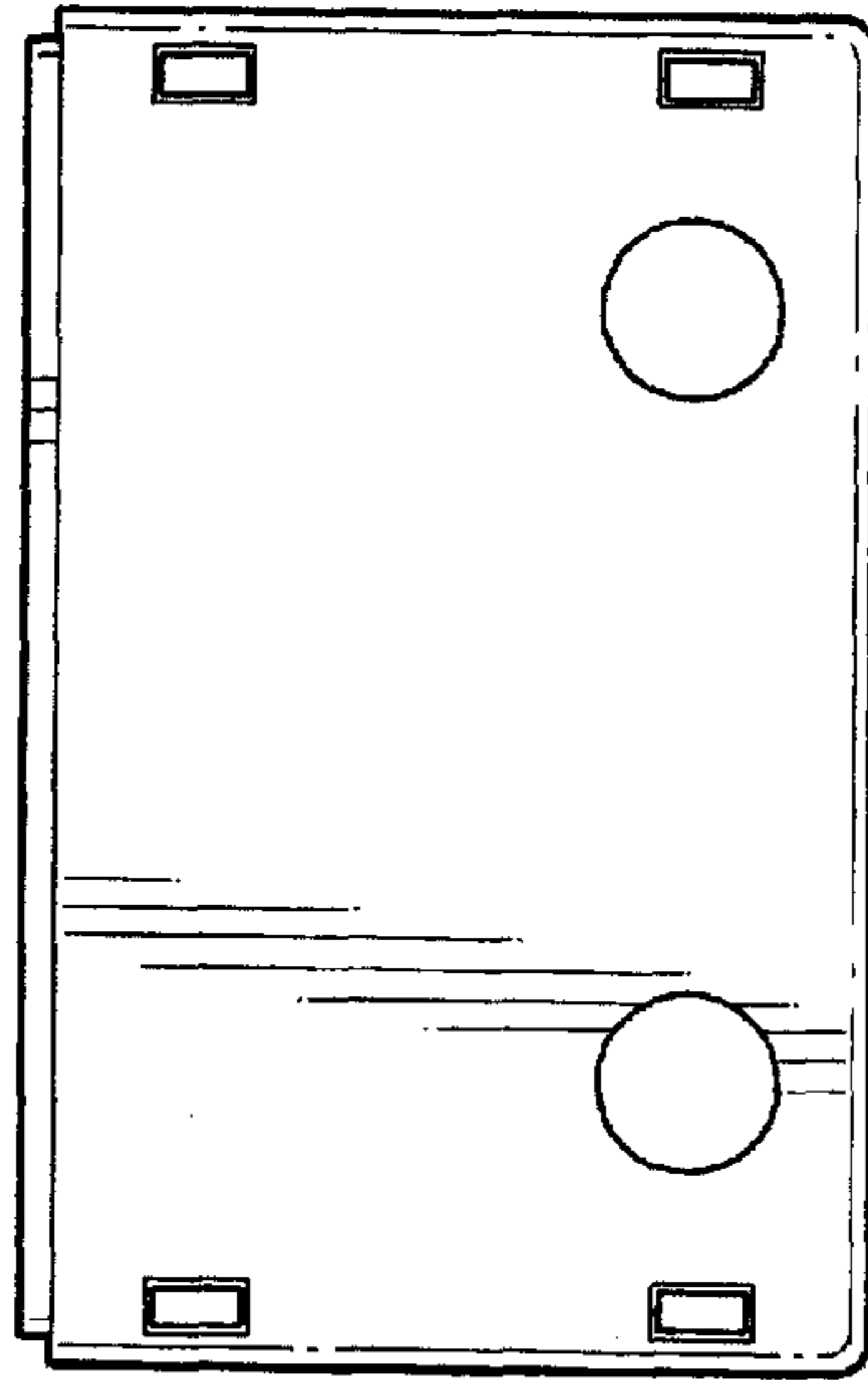
*FIG. 2*



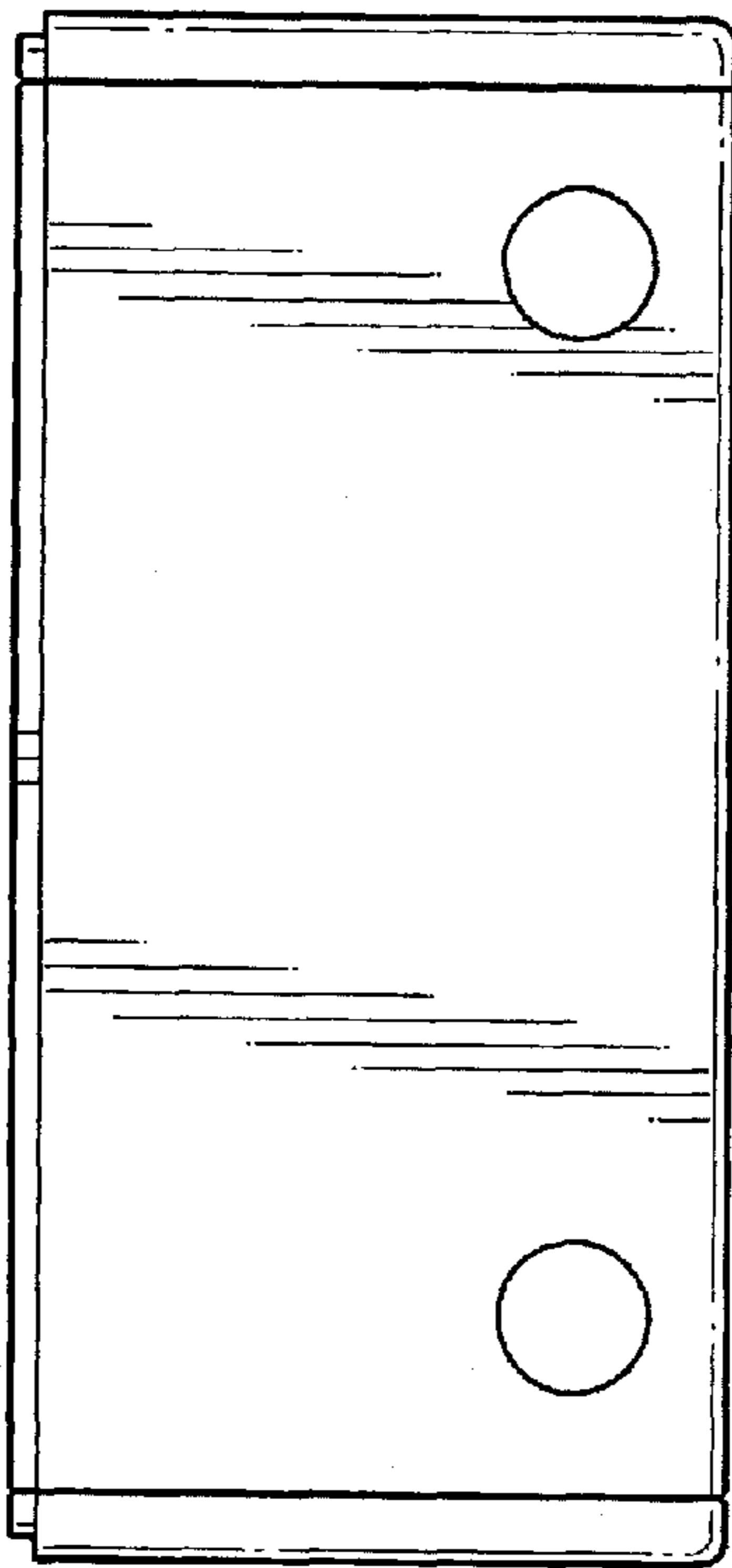
*FIG. 4*



*FIG. 3*



*FIG. 6*



*FIG. 5*