



US00D448567B1

(12) **United States Design Patent**  
**Buss**

(10) **Patent No.:** **US D448,567 S**

(45) **Date of Patent:** **\*\* Oct. 2, 2001**

(54) **TOTE BOX**

(75) **Inventor:** **Scott J. Buss**, Watertown, WI (US)

(73) **Assignee:** **Menasha Material Handling Corporation**, Oconomowoc, WI (US)

(\*\*) **Term:** **14 Years**

(21) **Appl. No.:** **29/137,659**

(22) **Filed:** **Feb. 26, 2001**

(51) **LOC (7) Cl.** ..... **03-01**

(52) **U.S. Cl.** ..... **D3/310; D3/304**

(58) **Field of Search** ..... **D3/304-315; 206/515, 206/509, 510, 557, 503, 427, 505; 220/500, 509, 7, 1.5, 519, 553, 516; D9/424, 425**

(56) **References Cited**

**U.S. PATENT DOCUMENTS**

D. 366,363	*	1/1996	Berggren	.....	D3/314
D. 381,203	*	7/1997	Ackermann et al.	.....	D3/307
D. 395,756	*	7/1998	Tanji	.....	D3/312
6,036,049	*	3/2000	Hwang	.....	206/515

\* cited by examiner

*Primary Examiner*—Louis S. Zarfaz

*Assistant Examiner*—Deanne Levy

(74) *Attorney, Agent, or Firm*—Quarles & Brady LLP

(57) **CLAIM**

The ornamental design for a tote box, as shown and described.

**DESCRIPTION**

FIG. 1 is a front, top perspective view of a tote box showing my new design;

FIG. 2 is a rear, top perspective view thereof;

FIG. 3 is a front, bottom perspective view thereof;

FIG. 4 is a top elevational view thereof;

FIG. 5 is a front side elevational view thereof;

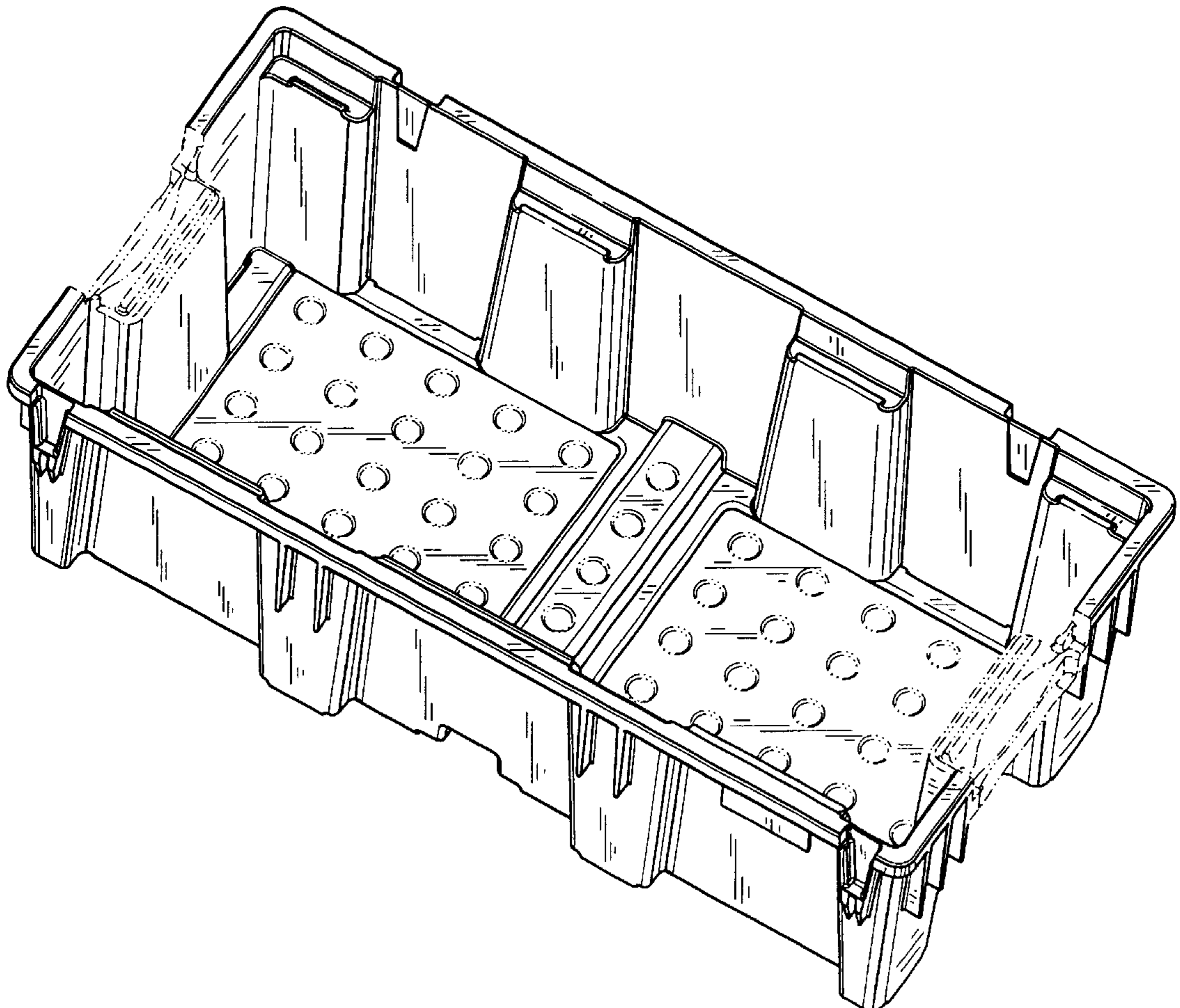
FIG. 6 is a rear side elevational view thereof;

FIG. 7 is a left end plan view thereof, the right end plan view being a mirror image of this; and,

FIG. 8 is a bottom elevational view thereof.

The broken line representations of holes and handle structures in FIGS. 1-4, 7 and 8 are exemplary and form no part of the claimed design.

**1 Claim, 7 Drawing Sheets**



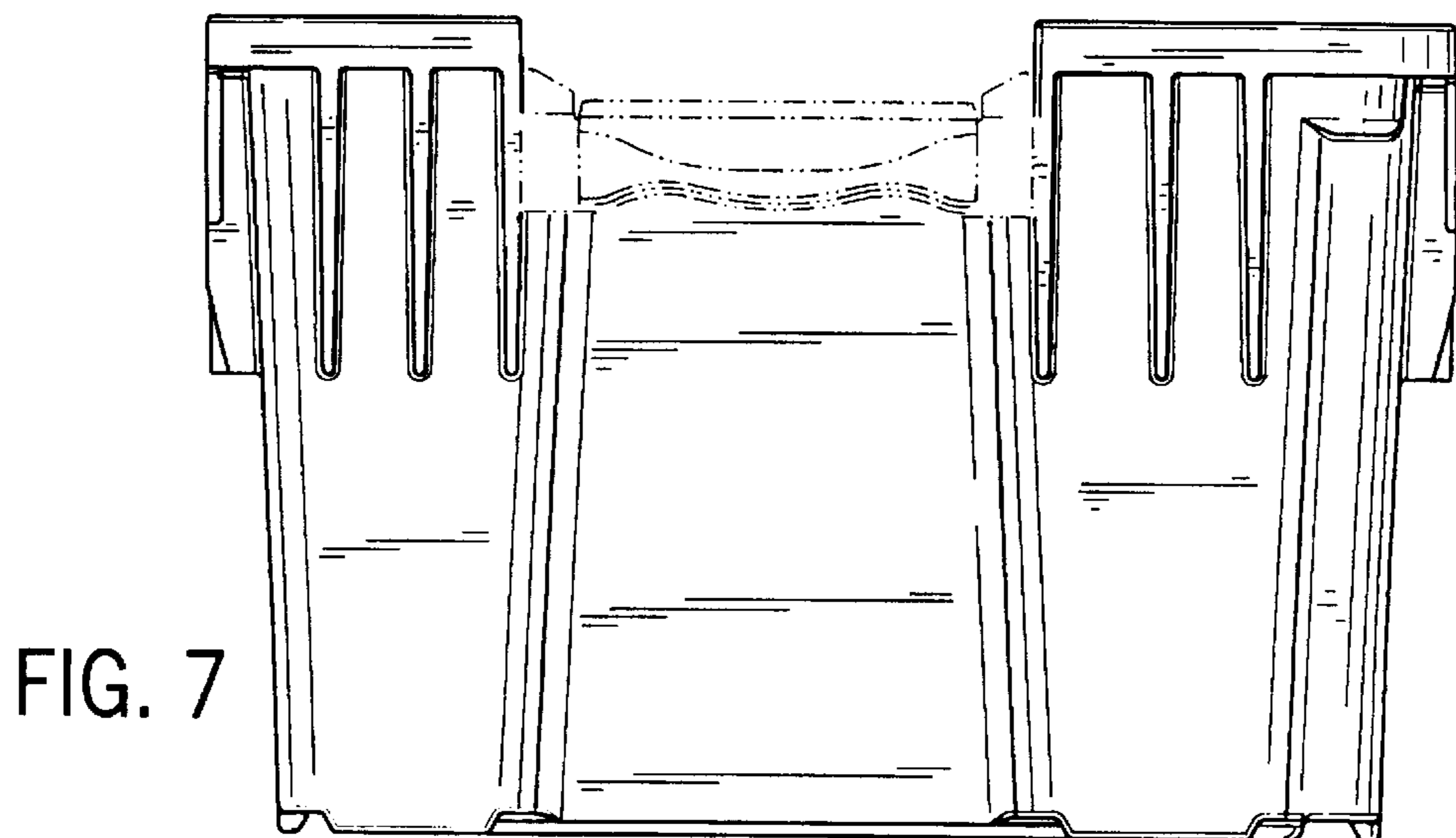
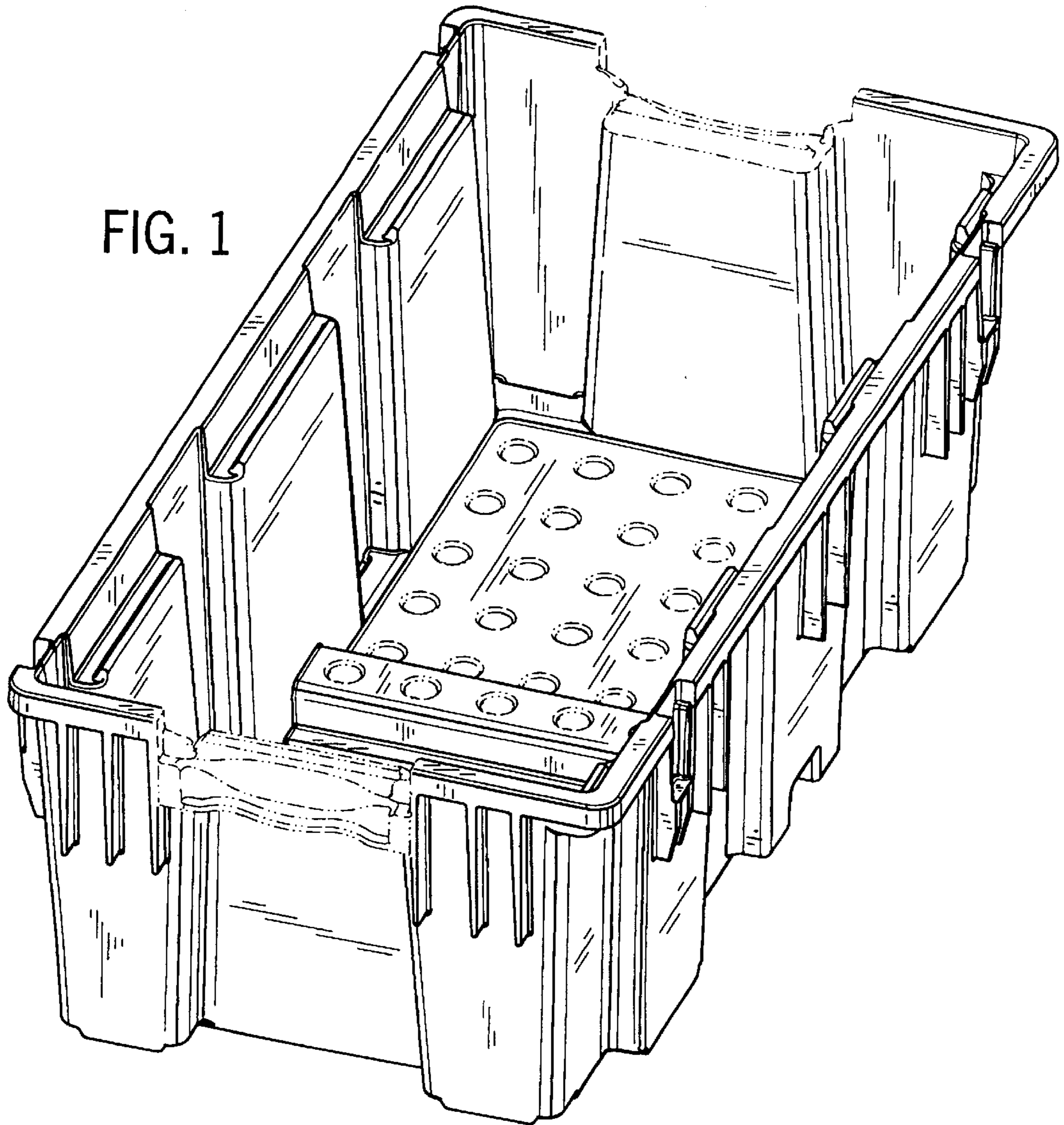
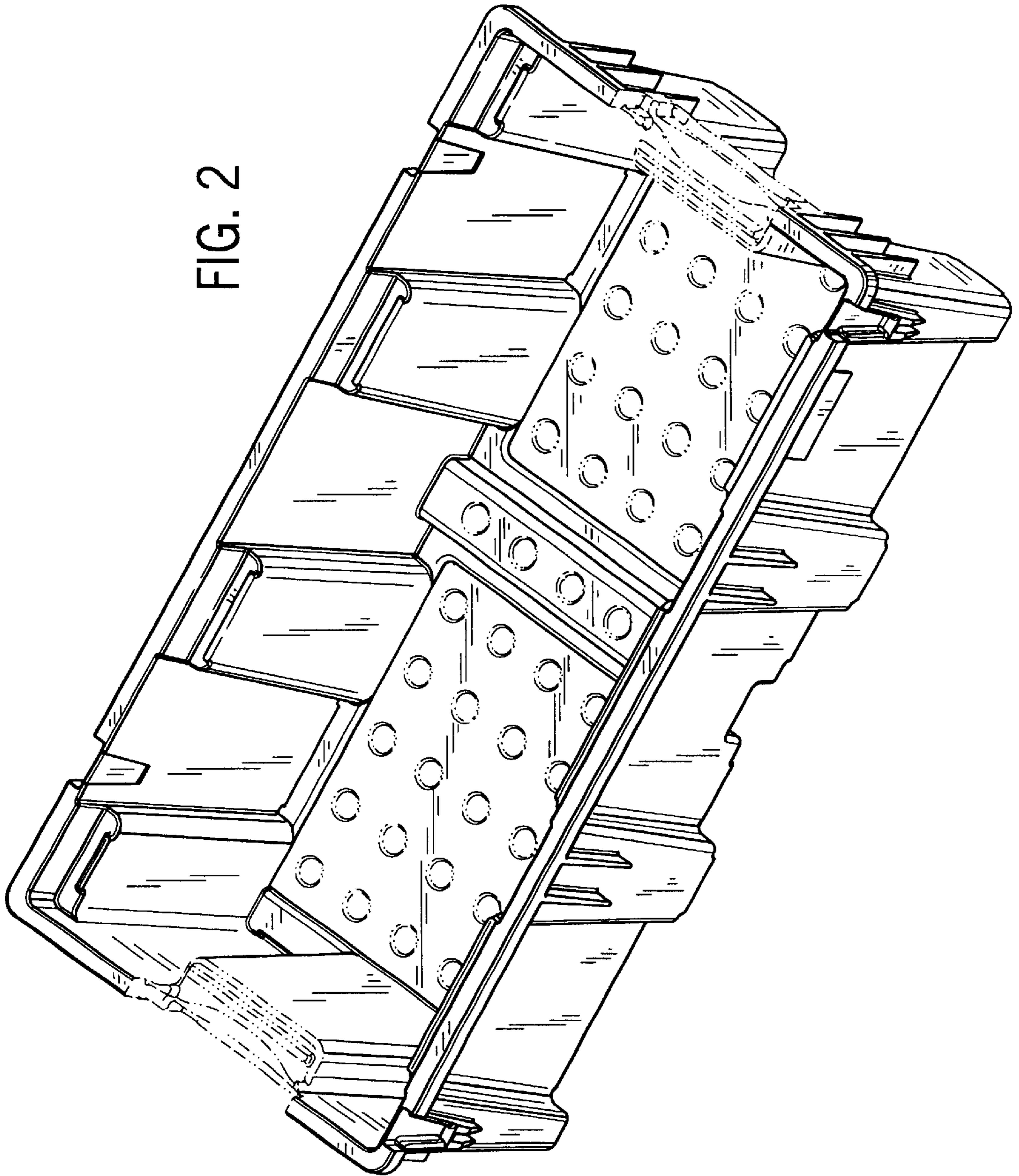


FIG. 2



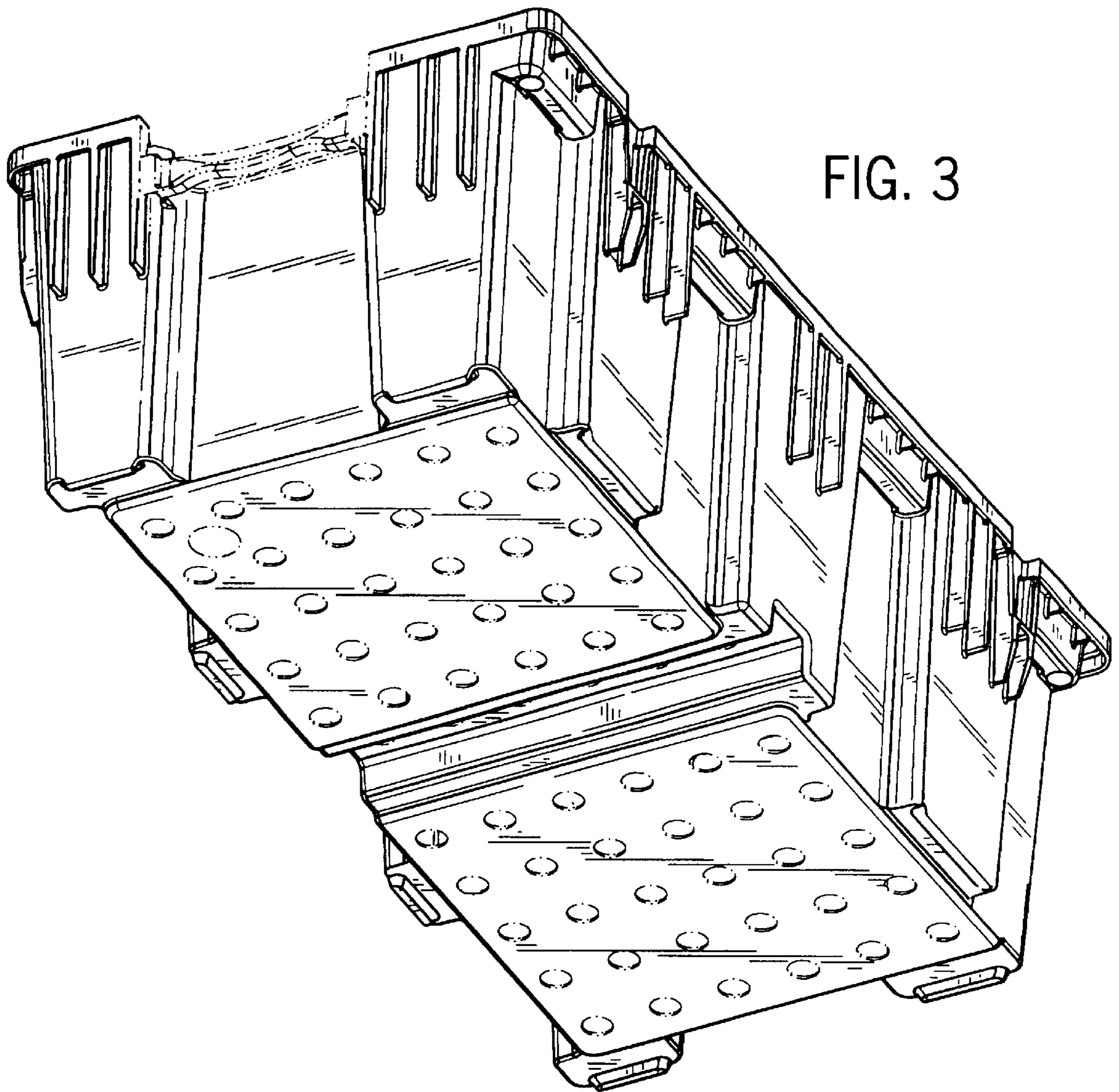
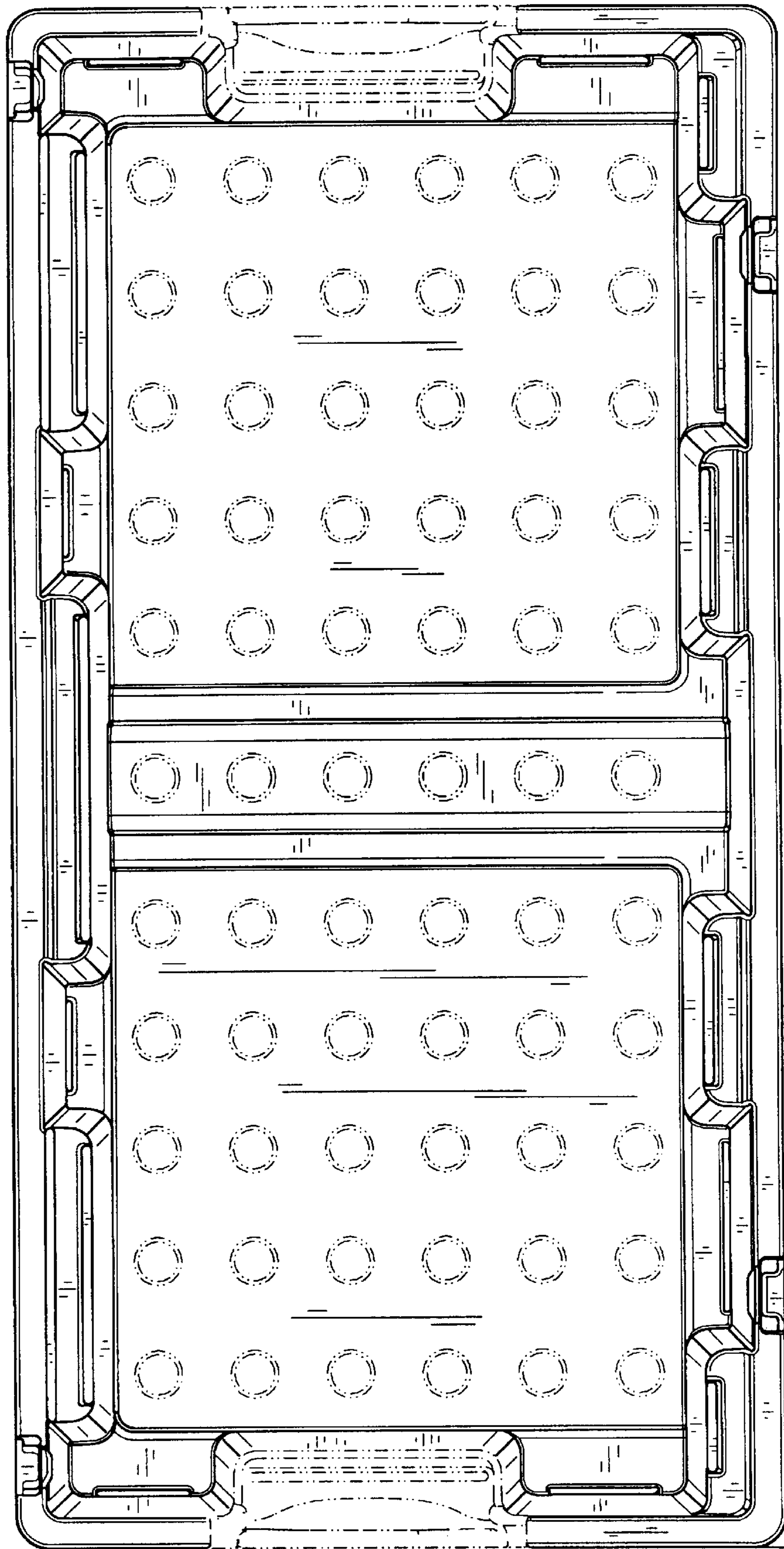


FIG. 3

FIG. 4



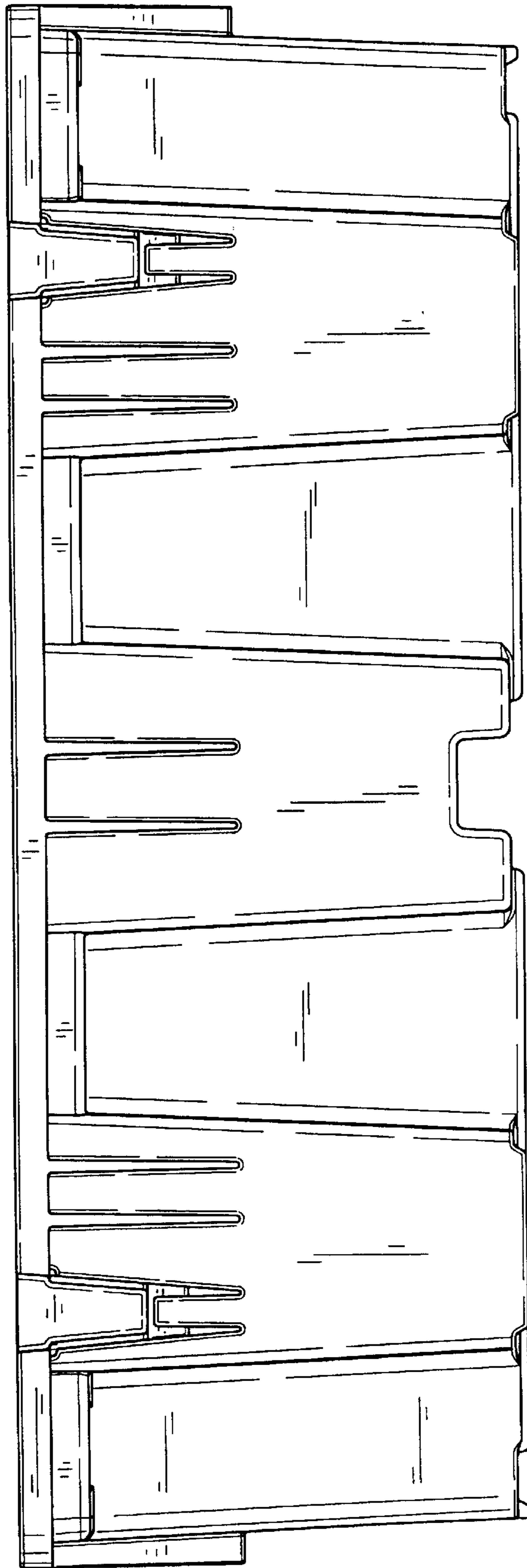


FIG. 5

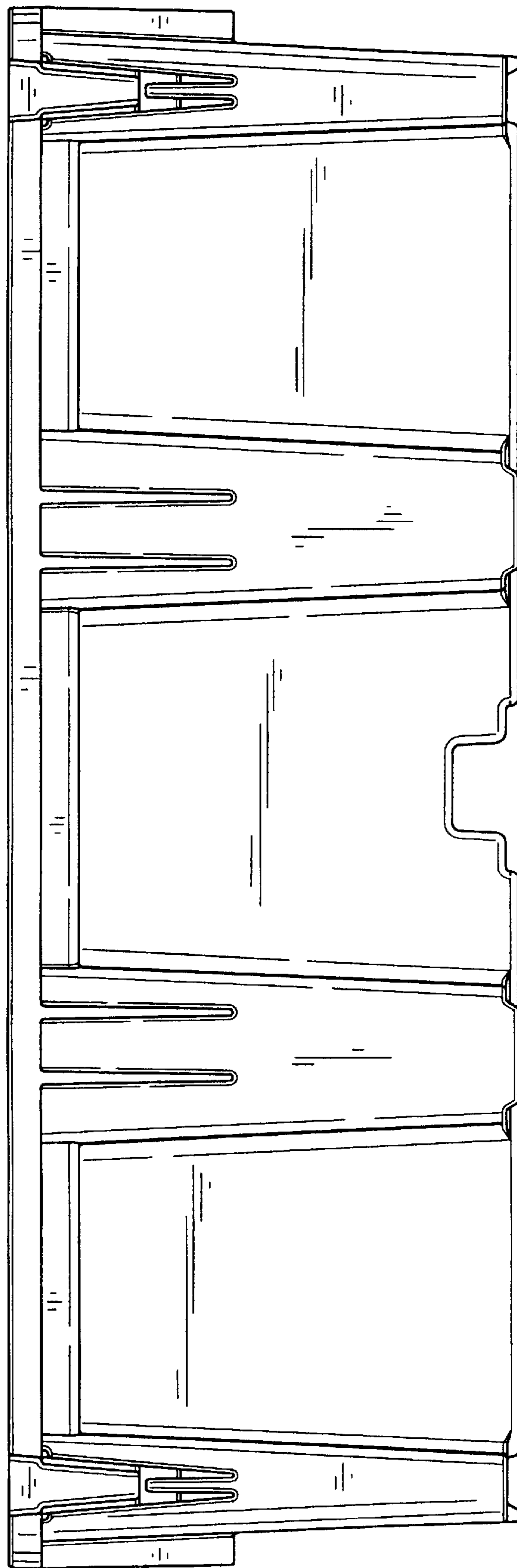


FIG. 6

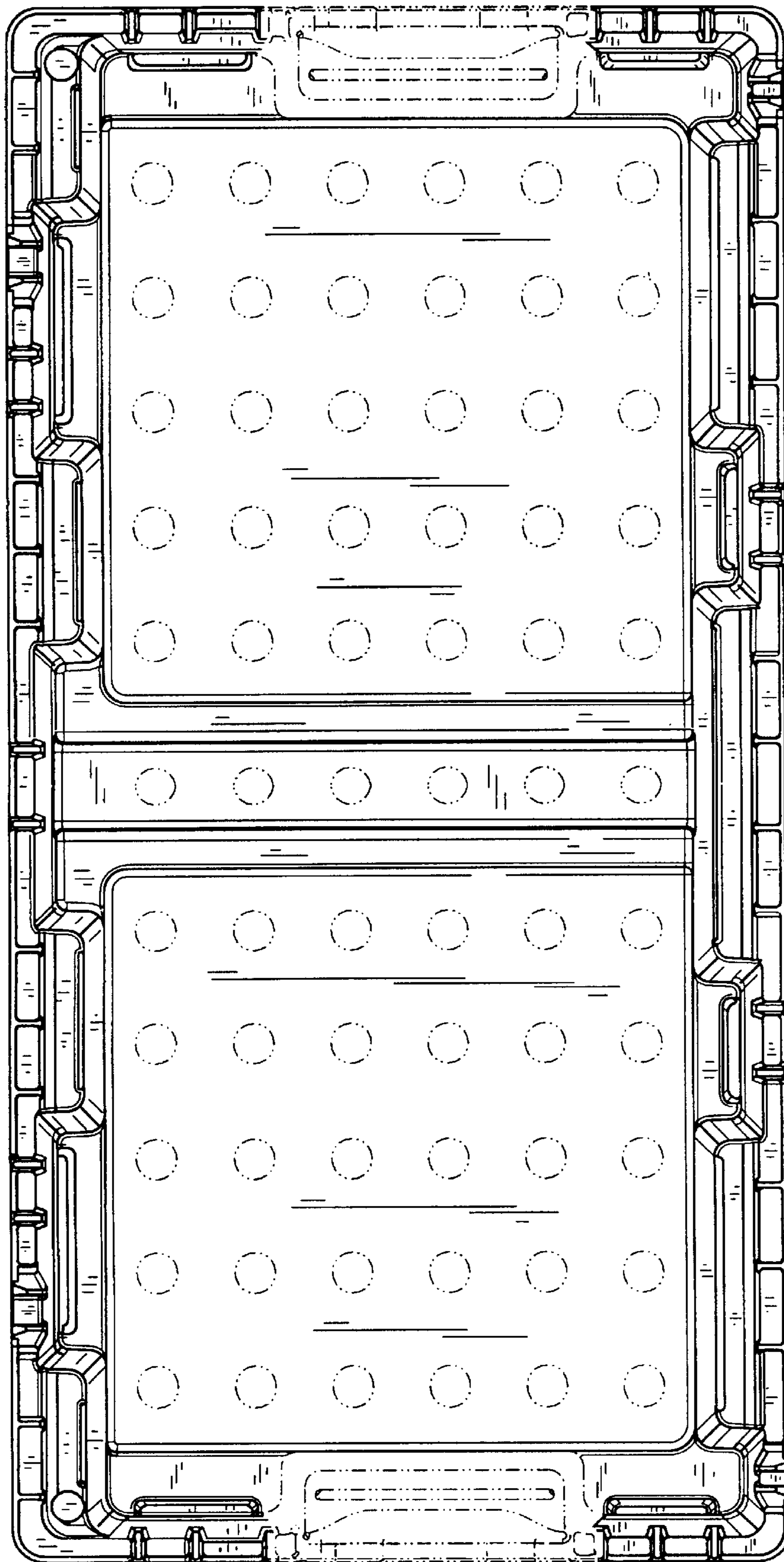


FIG. 8