



US00D448566B1

(12) **United States Design Patent**
Hassett et al.

(10) **Patent No.:** **US D448,566 S**

(45) **Date of Patent:** **** Oct. 2, 2001**

(54) **AUTOMOTIVE ATTACHE CASE**

(75) Inventors: **Eric Hassett; Thomas Grimaldi**, both of Winter Park, CO (US)

(73) Assignee: **Case Logic, Inc.**, Longmont, CO (US)

(**) Term: **14 Years**

(21) Appl. No.: **29/128,743**

(22) Filed: **Aug. 30, 2000**

(51) **LOC (7) Cl.** **03-01**

(52) **U.S. Cl.** **D3/303**

(58) **Field of Search** D3/290, 303, 276,
D3/282, 294, 900, 901, 902; 190/100, 110,
112, 111, 900, 901

(56) **References Cited**

U.S. PATENT DOCUMENTS

D. 135,359	*	3/1943	Boyar	D3/900
D. 278,860	*	5/1985	Katz et al.	D3/290
D. 422,410	*	4/2000	Bischoff	D3/290
D. 426,704	*	6/2000	King et al.	D3/276

* cited by examiner

Primary Examiner—Catherine R. Oliver

(74) *Attorney, Agent, or Firm*—Sheridan Ross P.C.

(57) **CLAIM**

The ornamental design for an automotive attache case, as shown and described.

DESCRIPTION

FIG. 1 is a front perspective view of an automotive attache case, showing my new design;

FIG. 2 is a front elevation view of the invention illustrated in FIG. 1;

FIG. 3 is a right elevation view of the invention illustrated in FIG. 1;

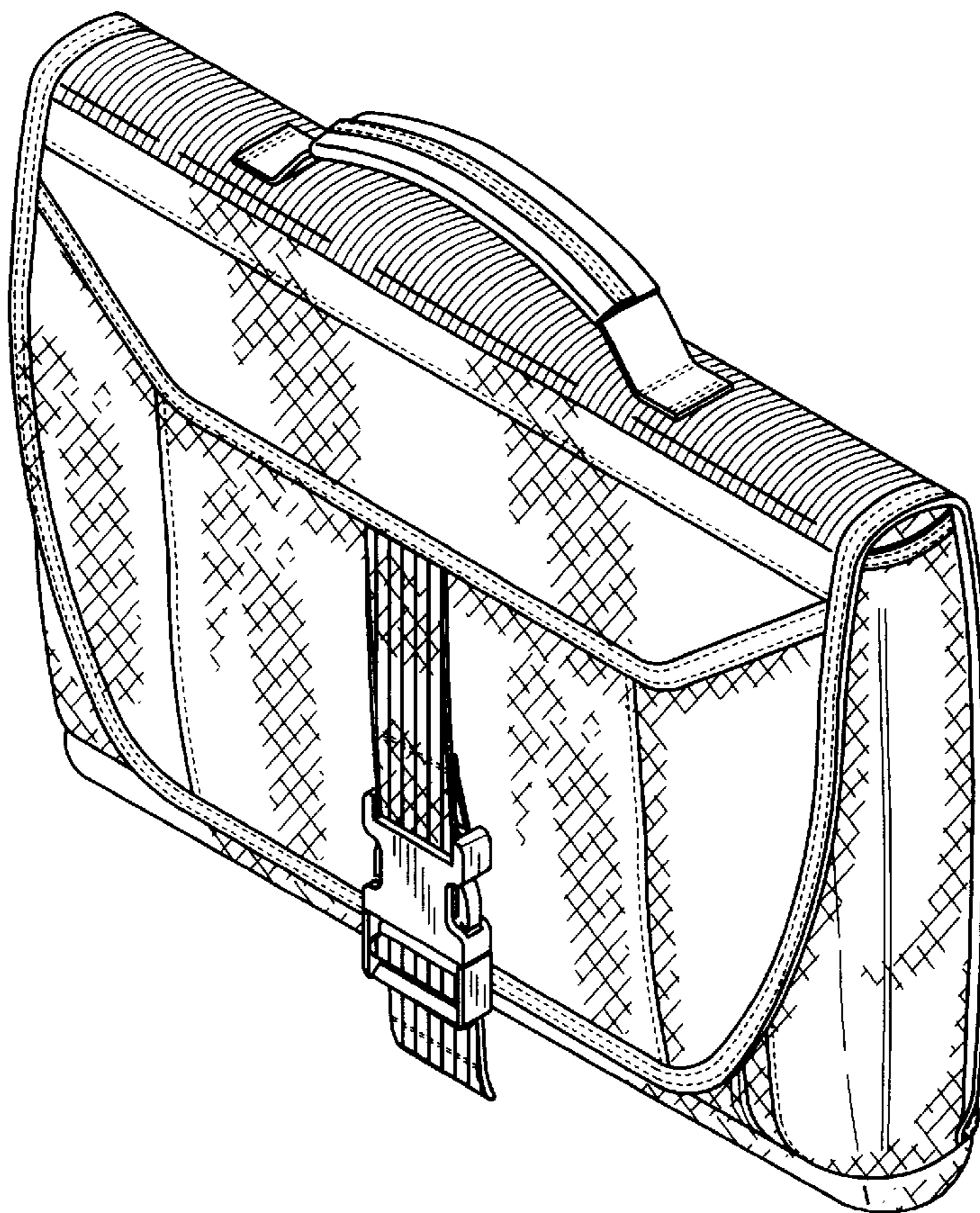
FIG. 4 is a top plan view of the invention illustrated in FIG. 1;

FIG. 5 is a rear elevation view of the invention illustrated in FIG. 1;

FIG. 6 is a left elevation view of the invention illustrated in FIG. 1; and,

FIG. 7 is a bottom plan view of the invention illustrated in FIG. 1.

1 Claim, 2 Drawing Sheets



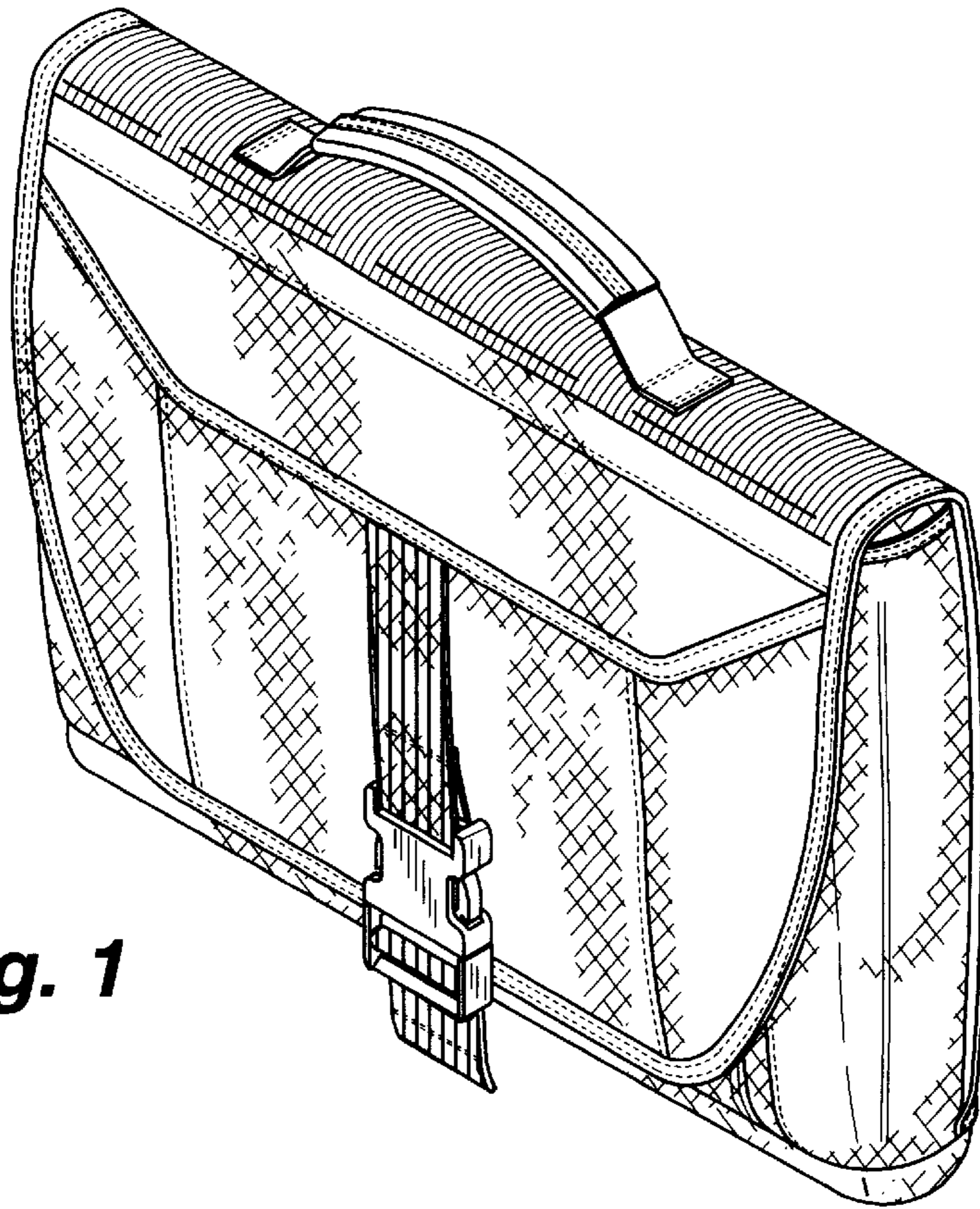


Fig. 1

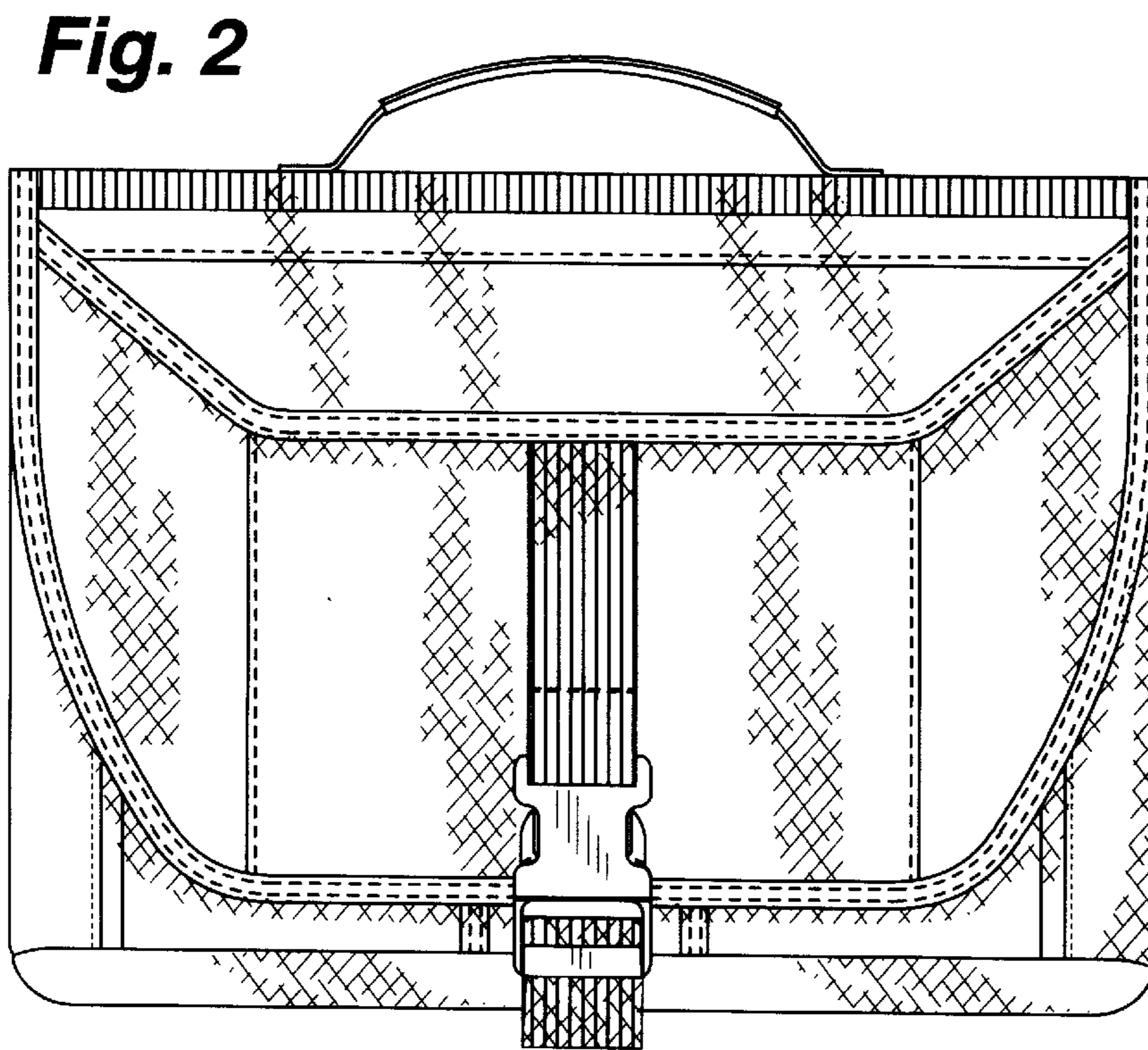


Fig. 2

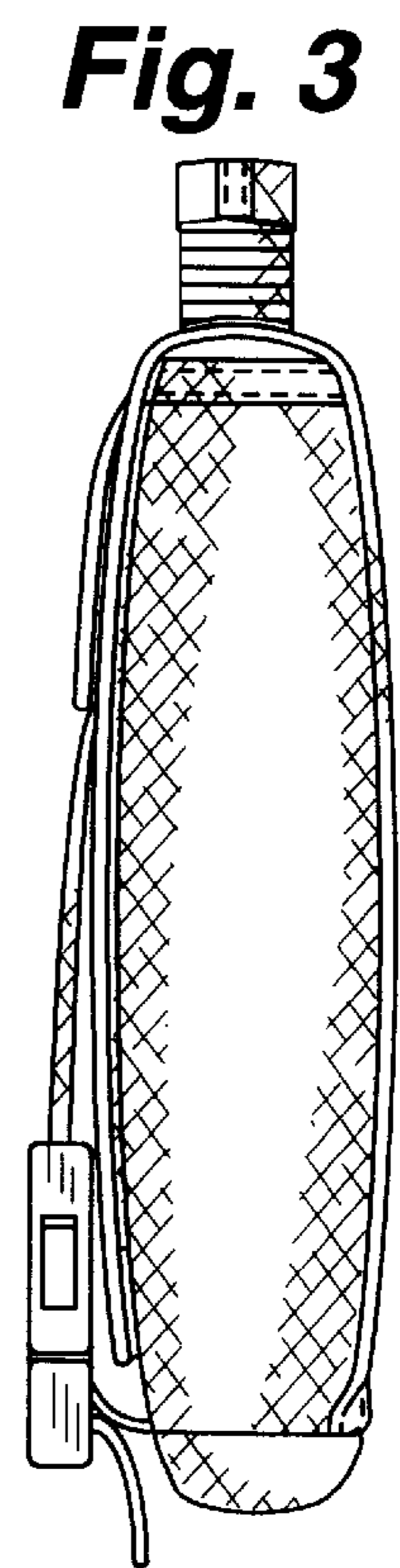


Fig. 3

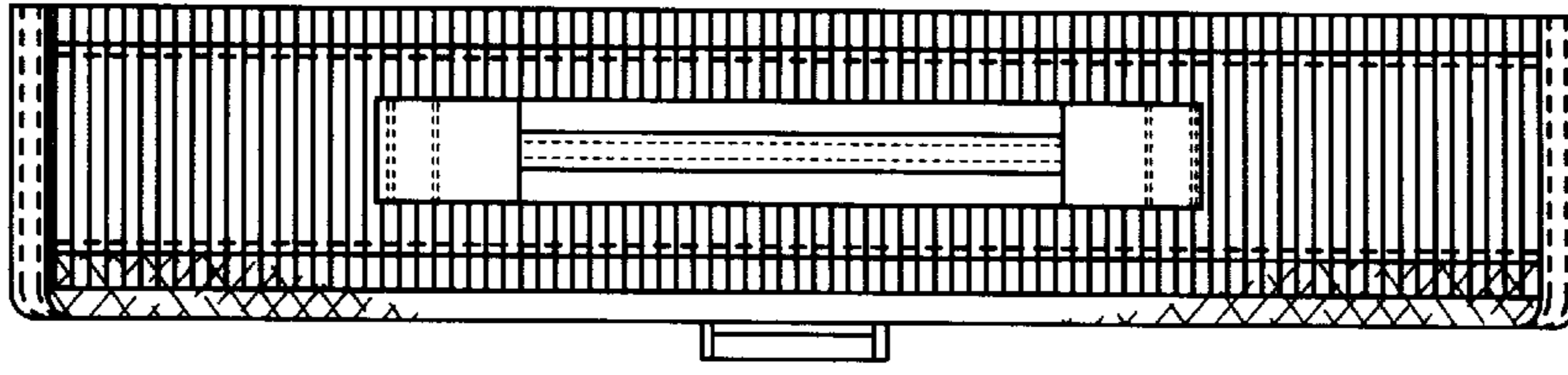


Fig. 4

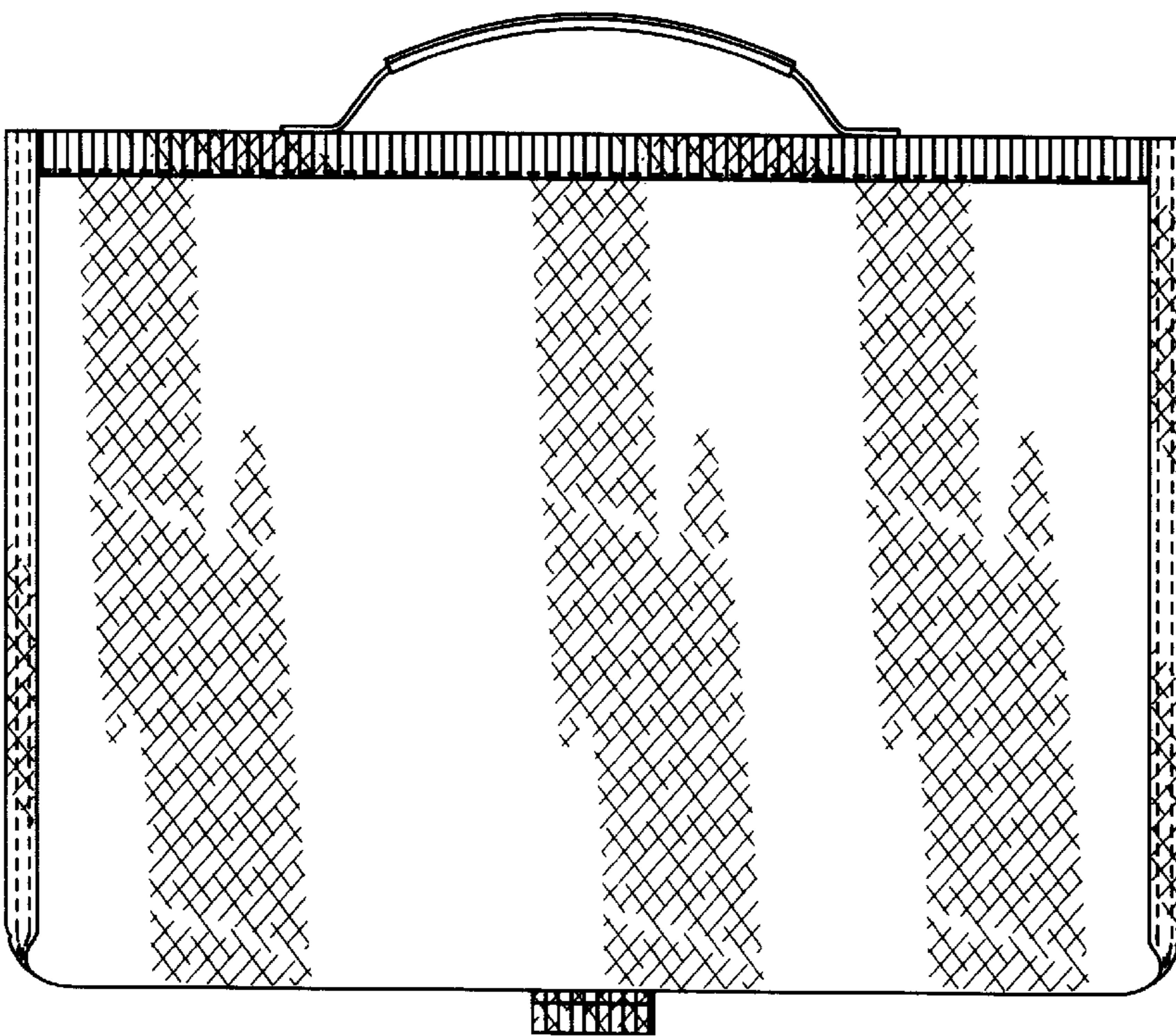


Fig. 5

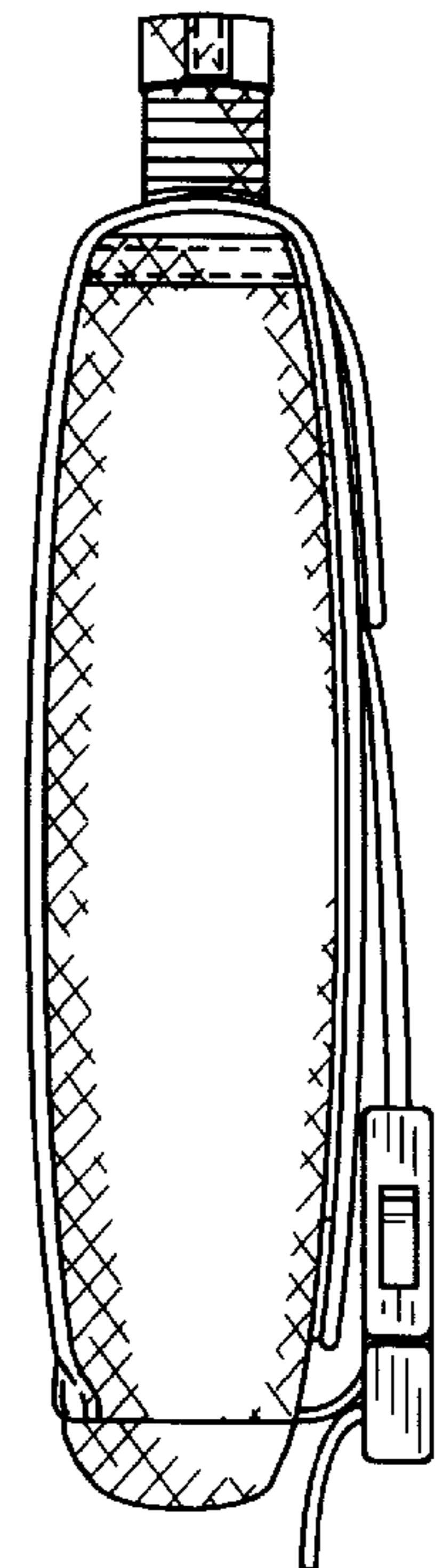


Fig. 6

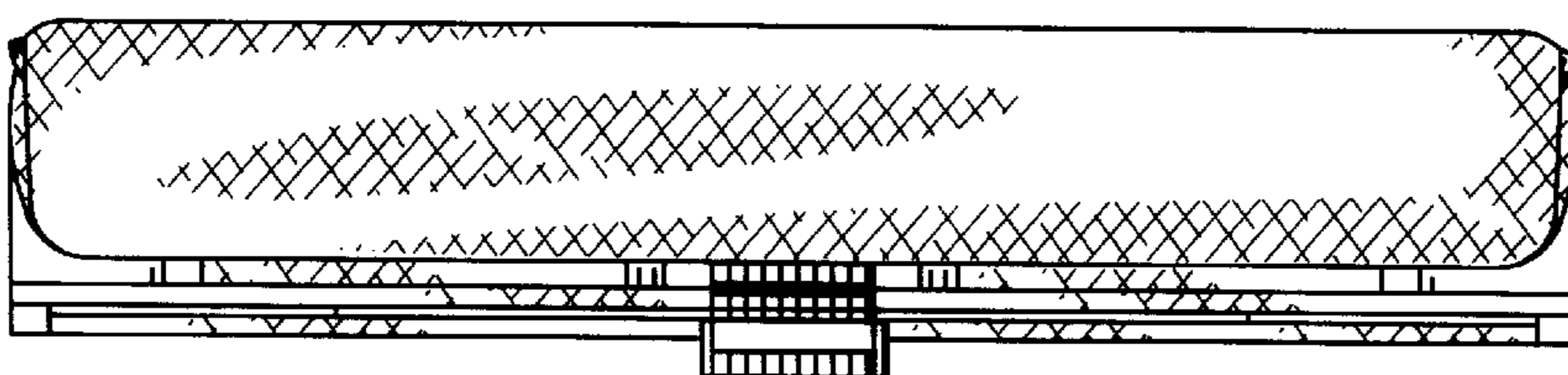


Fig. 7