



US00D448565B1

(12) **United States Design Patent**
Sanderson

(10) **Patent No.:** **US D448,565 S**

(45) **Date of Patent:** **** Oct. 2, 2001**

(54) **EQUIPMENT CASE**

(75) **Inventor:** **David B. Sanderson**, Villa Park, CA (US)

(73) **Assignee:** **SKB Corporation**, Orange, CA (US)

(**) **Term:** **14 Years**

(21) **Appl. No.:** **29/127,200**

(22) **Filed:** **Jul. 25, 2000**

Related U.S. Application Data

(62) Division of application No. 29/115,065, filed on Dec. 7, 1999.

(51) **LOC (7) Cl.** **03-01**

(52) **U.S. Cl.** **D3/302; D3/273**

(58) **Field of Search** D3/272, 273, 276, D3/302; D9/420, 423, 424; 206/503, 518, 515, 372, 373

(56) **References Cited**

U.S. PATENT DOCUMENTS

- D. 234,273 2/1975 Wilson et al. .
- D. 328,188 * 7/1992 Jacobson et al. D3/272
- D. 330,329 * 10/1992 Brightbill D3/302
- D. 347,324 * 5/1994 Dickinson D3/272

- D. 349,646 * 8/1994 Dickinson D9/423
- D. 394,550 * 5/1998 Tanji D3/302
- 2,950,793 8/1960 Axtell .
- 3,029,915 4/1962 Axtell .
- 3,419,184 * 12/1968 Asenbauer 206/508
- 3,913,741 * 10/1975 Pirie 206/508
- 5,065,885 * 11/1991 Scaroni 220/326
- 5,755,311 5/1998 Younessian et al. 190/114

* cited by examiner

Primary Examiner—Philip S. Hyder

(74) *Attorney, Agent, or Firm*—Lyon & Lyon LLP

(57) **CLAIM**

The ornamental design for an equipment case, as shown and described.

DESCRIPTION

FIG. 1 is a perspective view of a first embodiment of the new design,

FIG. 2 is a side view of the embodiment of FIG. 1,

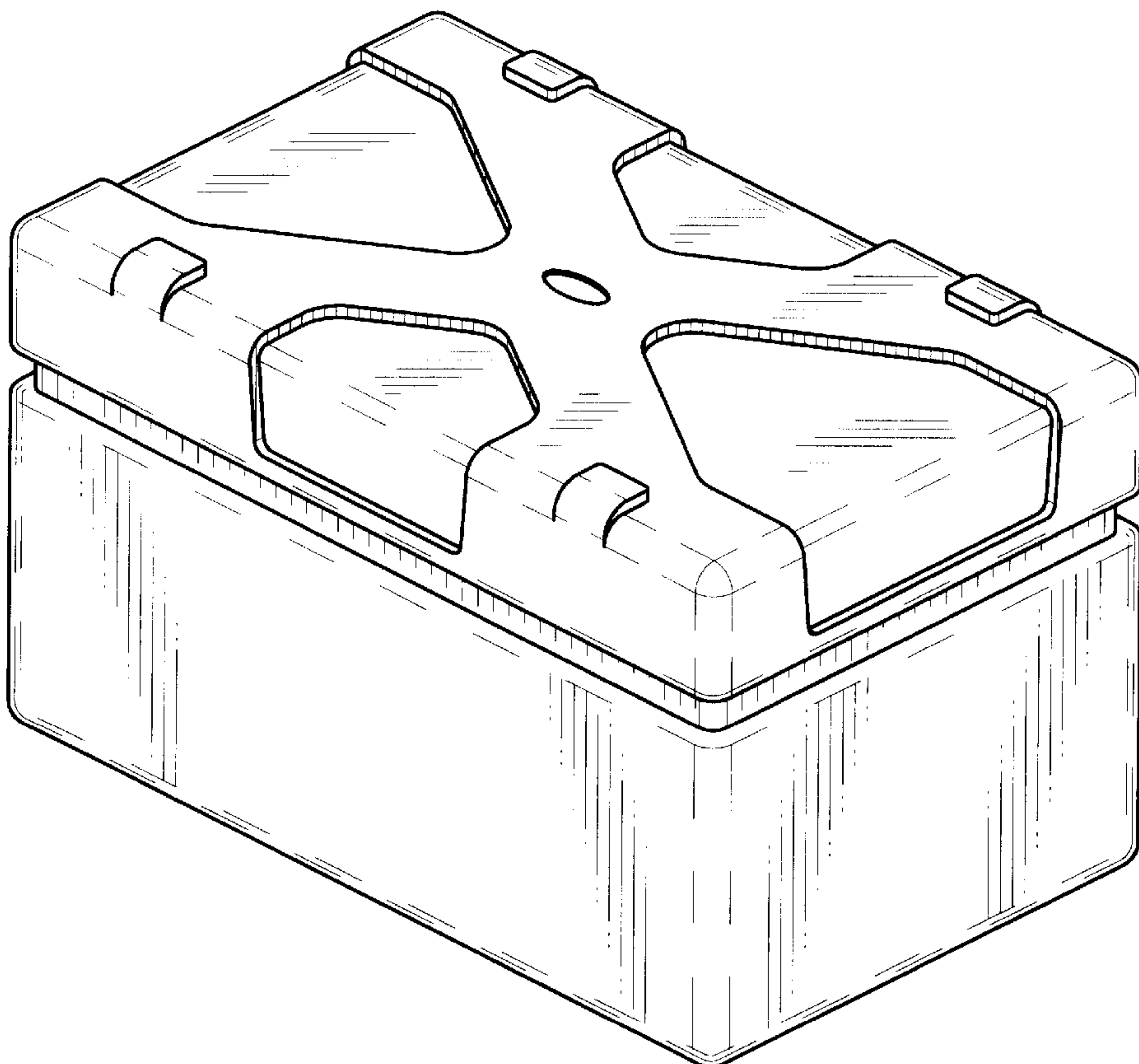
FIG. 3 is a perspective view of a second embodiment; and,

FIG. 4 is a side view of the embodiment of FIG. 3.

Each of the two embodiments of the equipment is symmetrical. The bottoms thereof do not form a part of the claimed design.

The broken line portions of the disclosure are for illustrative purposes only and form no part of the claimed design.

1 Claim, 4 Drawing Sheets



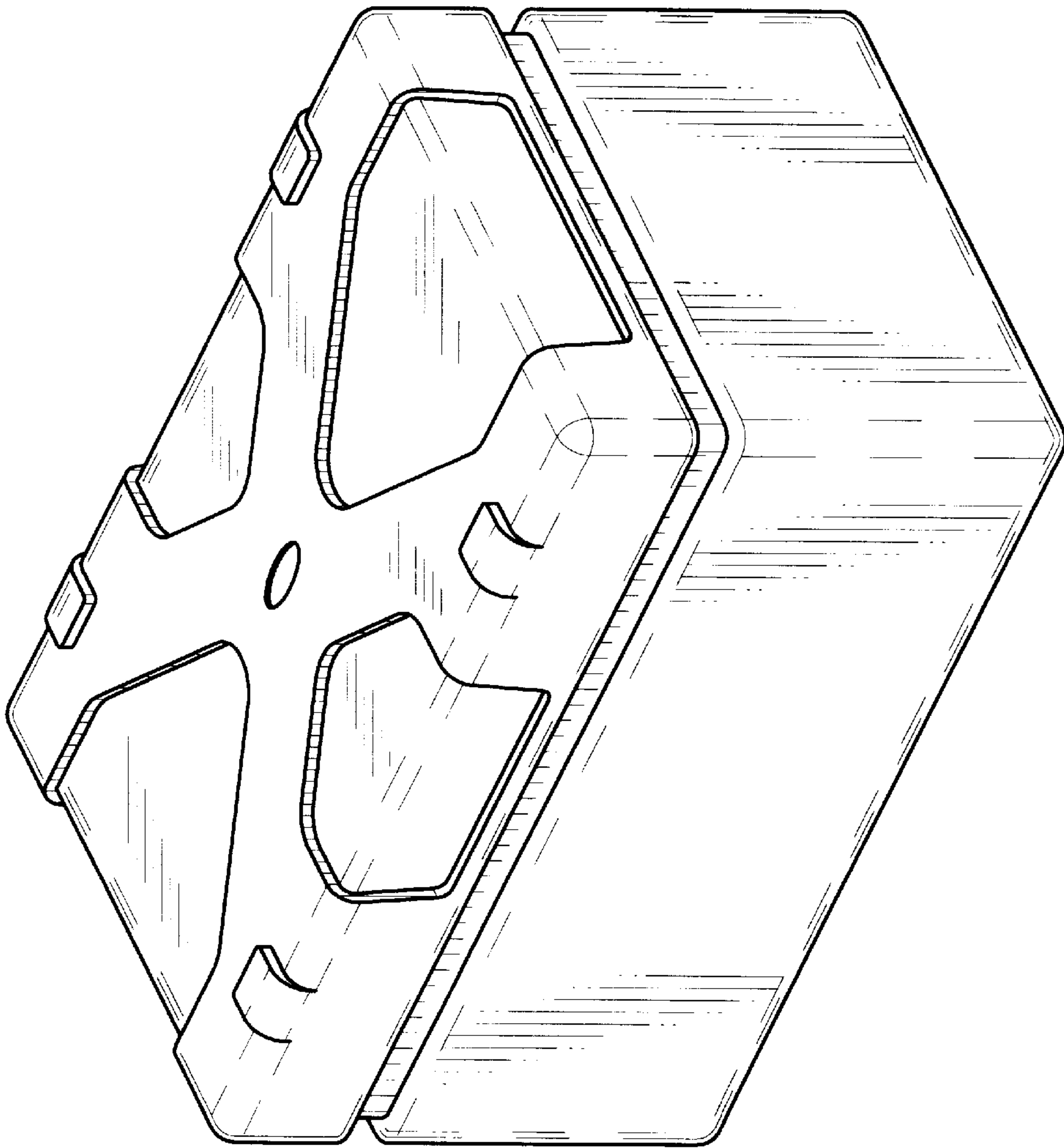


Fig. 1

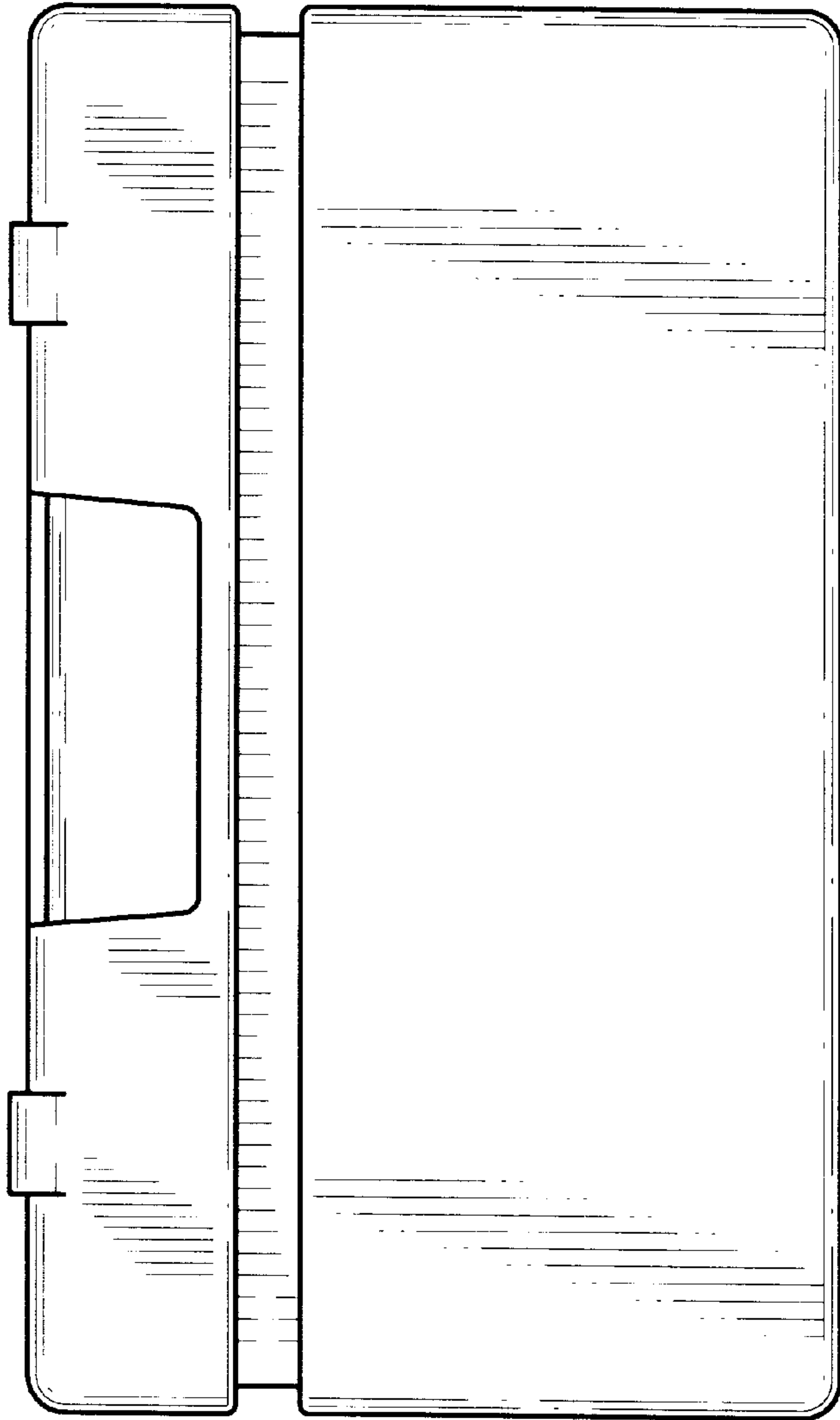


Fig. 2

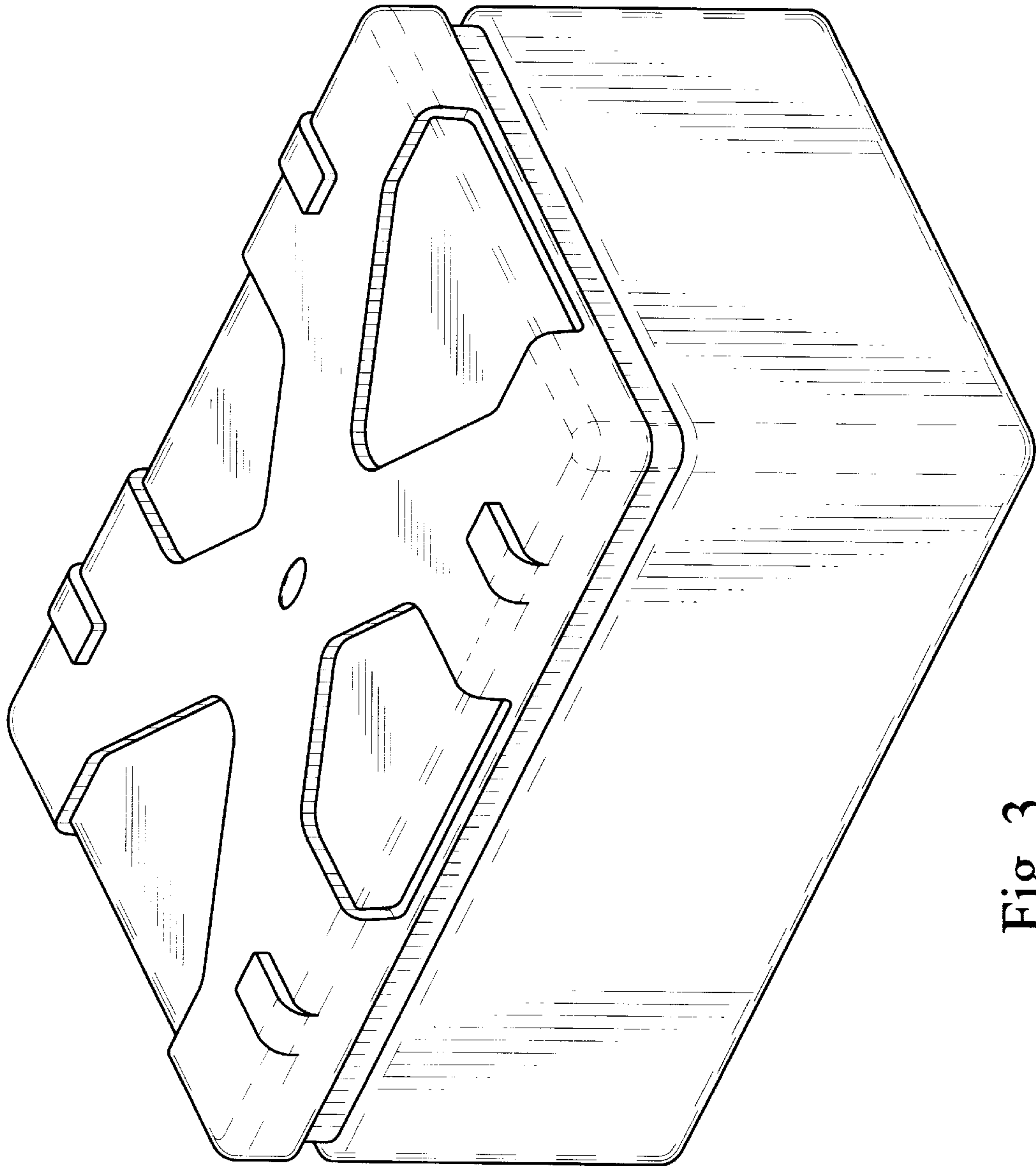


Fig. 3

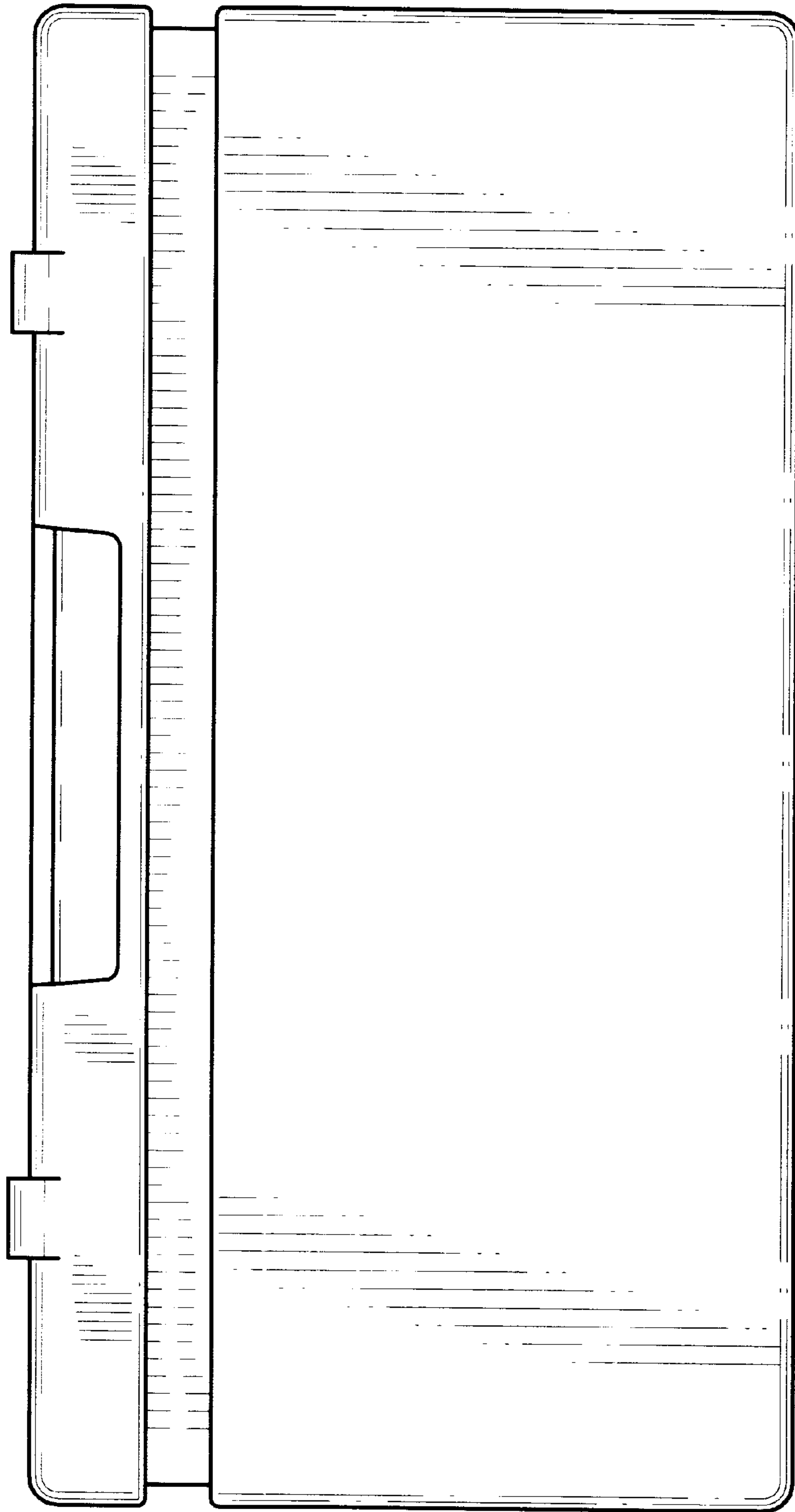


Fig. 4