



US00D448555B1

(12) **United States Design Patent**  
**deLong**

(10) **Patent No.:** **US D448,555 S**

(45) **Date of Patent:** **\*\* Oct. 2, 2001**

(54) **HOLDER FOR GOLFBALLS, GOLF TEES  
AND BALL MARKERS**

(76) **Inventor:** **Gary deLong**, 5442 Rutland Dr., Yorba  
Linda, CA (US) 92886

(\*\*) **Term:** **14 Years**

(21) **Appl. No.:** **29/134,155**

(22) **Filed:** **Dec. 14, 2000**

(51) **LOC (7) Cl.** ..... **03-01**

(52) **U.S. Cl.** ..... **D3/221**

(58) **Field of Search** ..... D3/221, 257, 229;  
224/919, 918, 666, 245, 670, 668, 669;  
206/315.9; D21/789, 796

(56) **References Cited**

**U.S. PATENT DOCUMENTS**

|            |   |        |          |       |           |
|------------|---|--------|----------|-------|-----------|
| D. 212,020 | * | 8/1968 | Najjar   | ..... | D3/221    |
| D. 226,929 | * | 5/1973 | Kinard   | ..... | D3/221    |
| D. 254,940 | * | 5/1980 | Thomas   | ..... | D3/221    |
| D. 405,860 | * | 2/1999 | Hargrove | ..... | D21/796   |
| 4,106,678  | * | 8/1978 | Thomas   | ..... | 224/919   |
| 4,730,728  | * | 3/1988 | Larkin   | ..... | 206/315.9 |
| 6,168,061  | * | 1/2001 | Harrison | ..... | 224/666   |

**OTHER PUBLICATIONS**

The Golf Store, Ball Buddy, p. 40, Sep. 1993.\*

\* cited by examiner

*Primary Examiner*—Catherine R. Oliver

(74) *Attorney, Agent, or Firm*—Roy A. Ekstrand

(57) **CLAIM**

The ornamental design for a holder for golfballs, golf tees and ball markers, as shown and described.

**DESCRIPTION**

FIG. 1 is a perspective view of the holder for golf balls, golf tees and ball markers showing my new design;

FIG. 2 is a front view thereof;

FIG. 3 is a left side view thereof, the right side being a mirror image thereof;

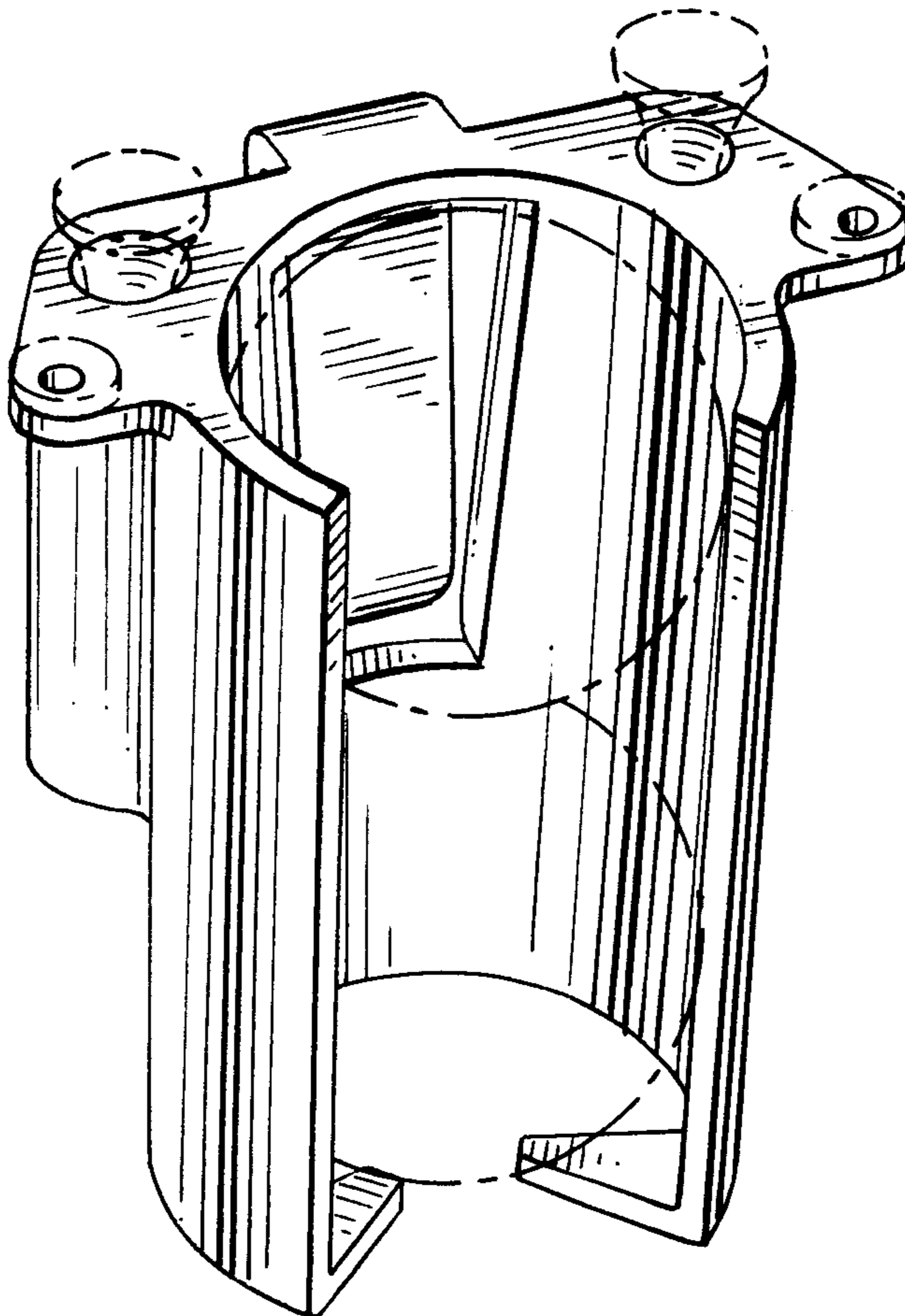
FIG. 4 is a top view thereof;

FIG. 5 is a bottom view thereof; and,

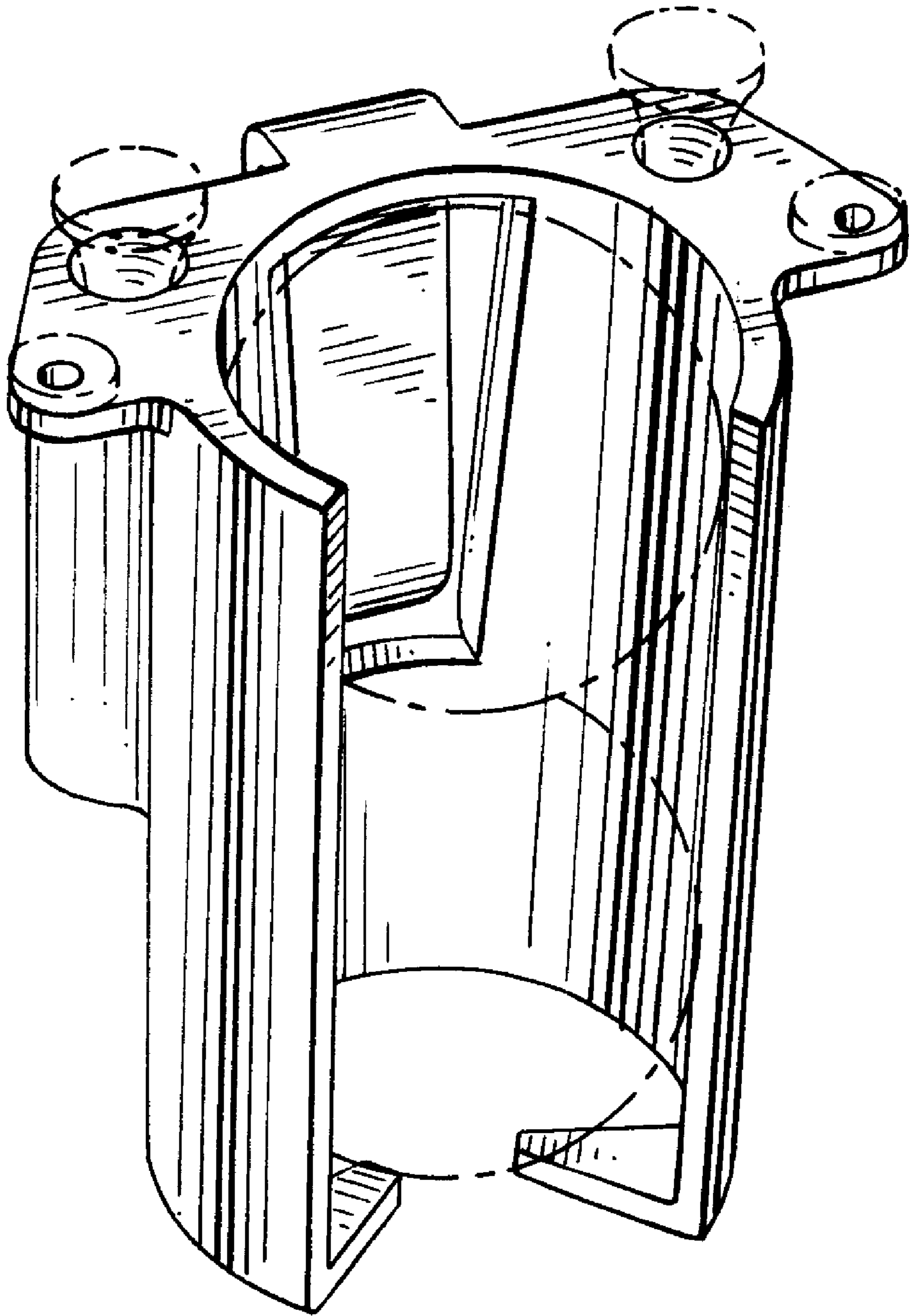
FIG. 6 is a rear view thereof.

The broken line showing of environment in FIG. 1 is for illustrative purposes only and forms no part of the claimed design.

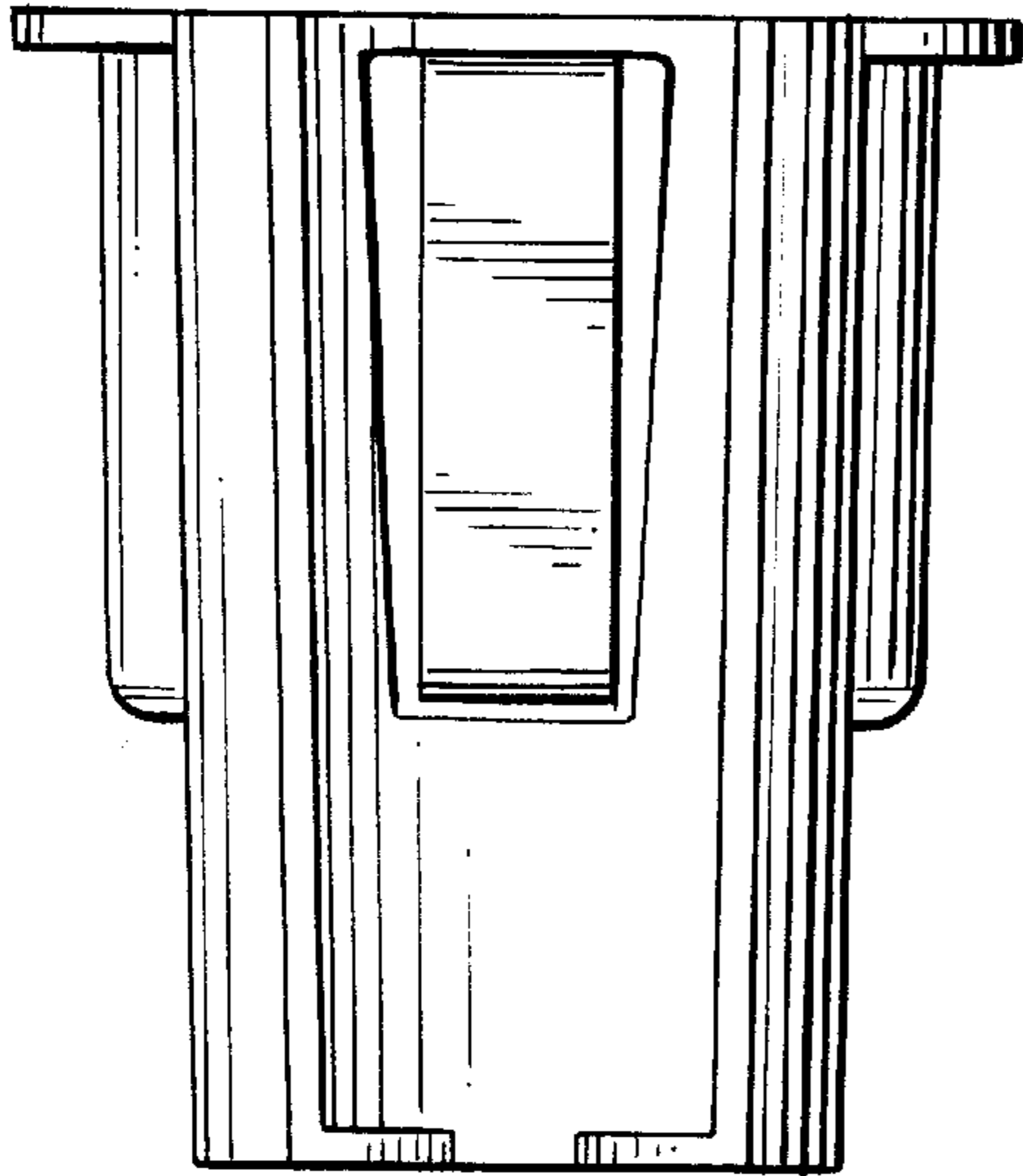
**1 Claim, 2 Drawing Sheets**



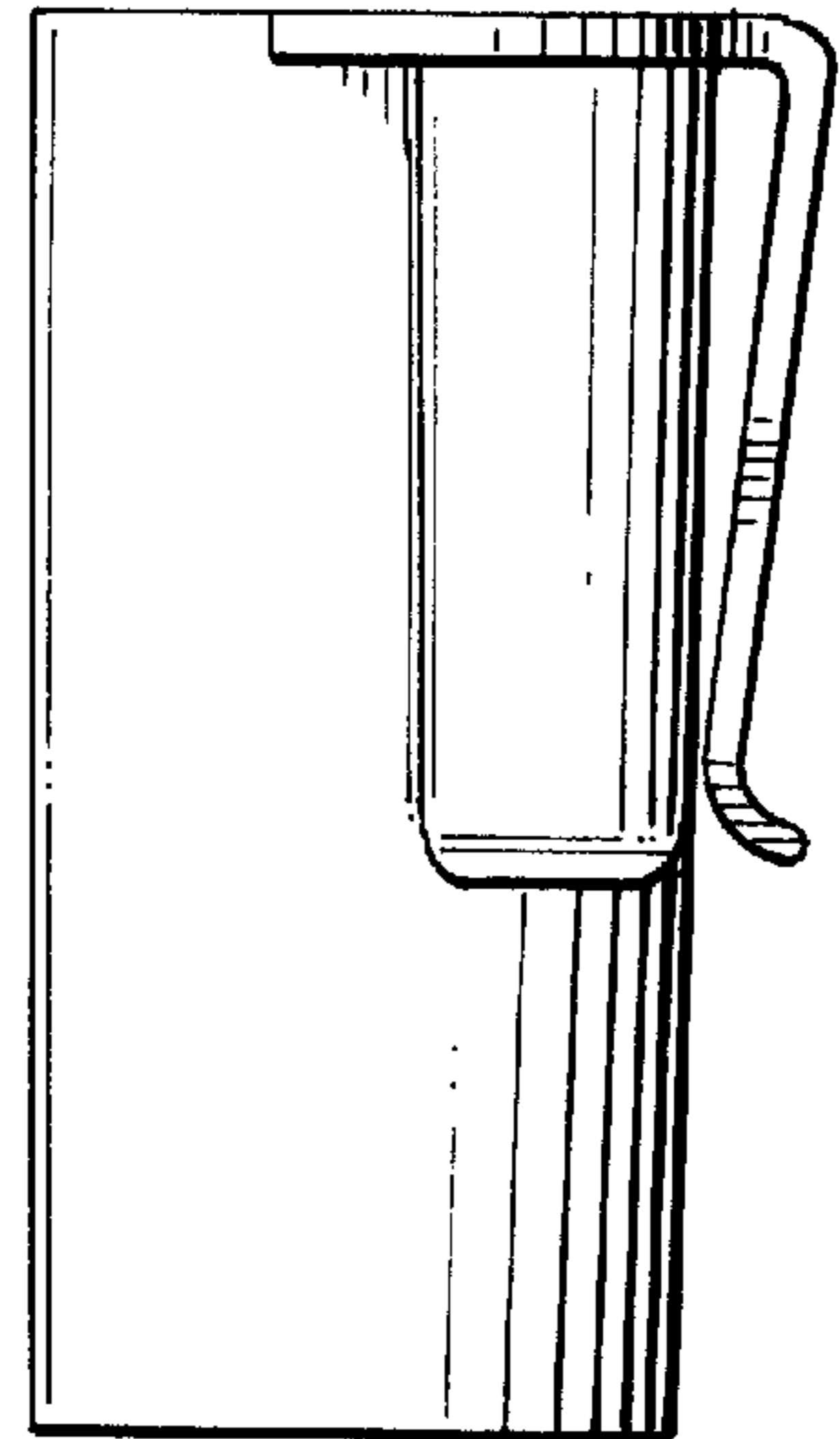
*FIG. 1*



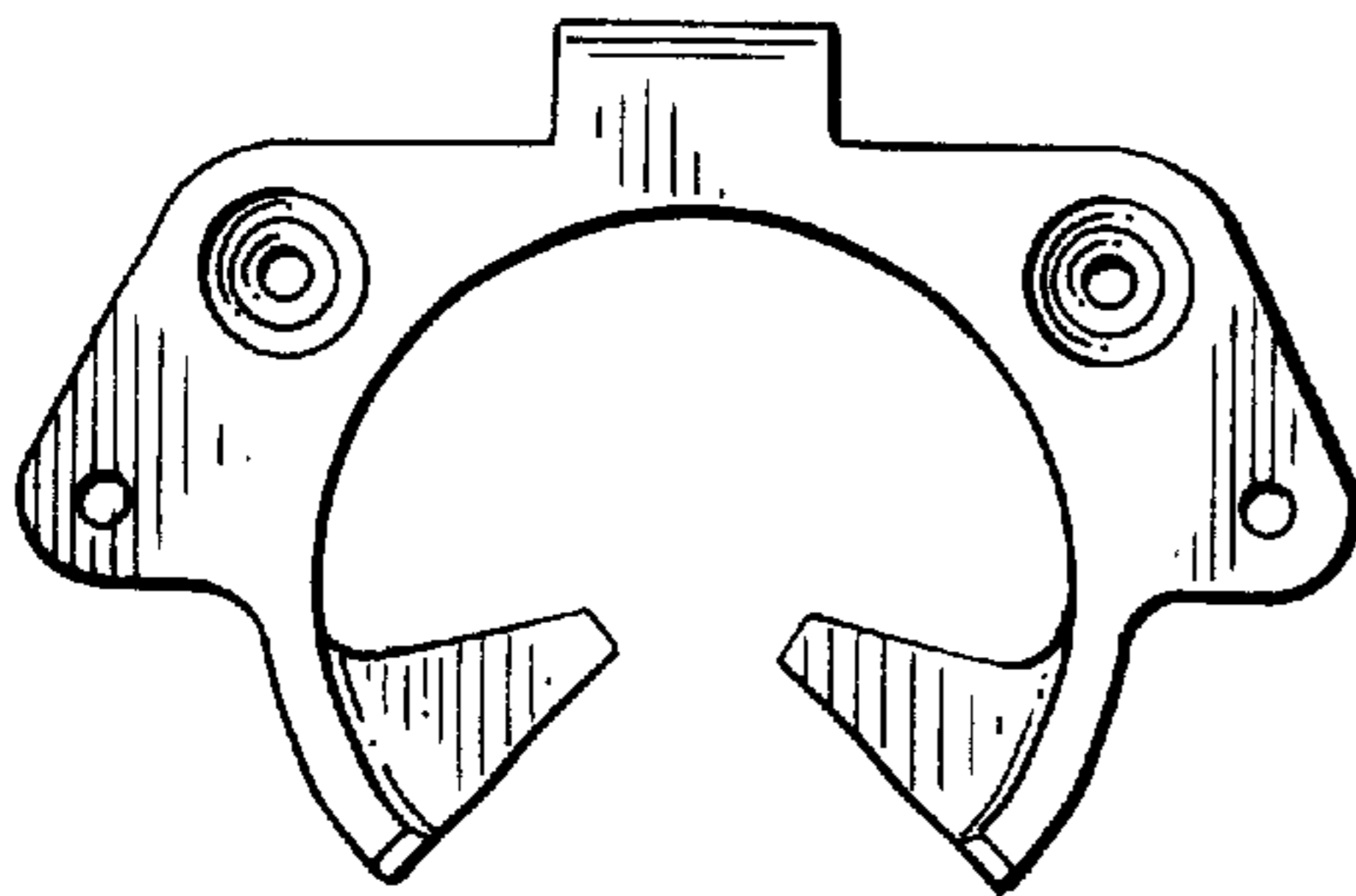
*FIG. 2*



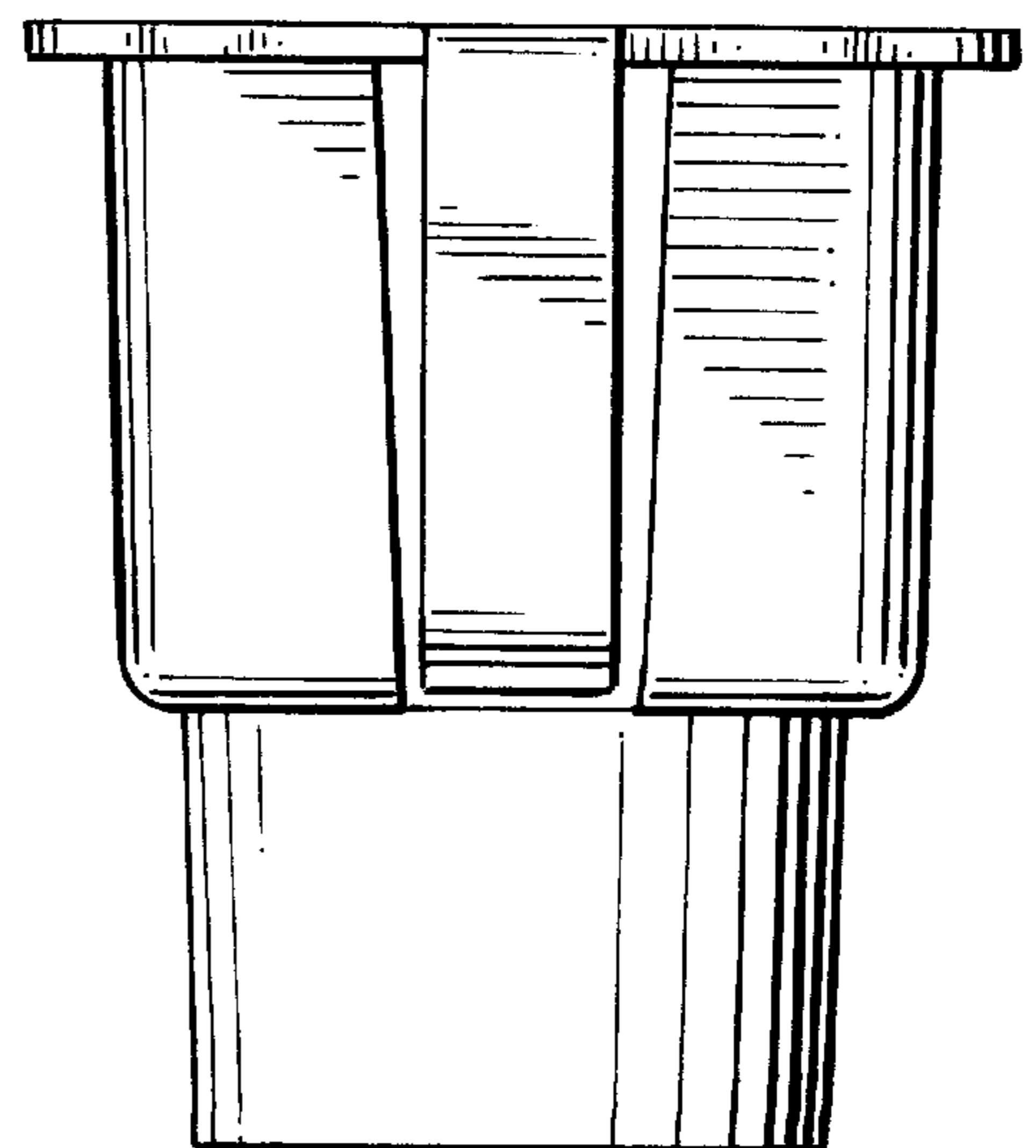
*FIG. 3*



*FIG. 4*



*FIG. 6*



*FIG. 5*

