



US00D448551B1

(12) **United States Design Patent**
Vong et al.

(10) **Patent No.:** **US D448,551 S**

(45) **Date of Patent:** **** Oct. 2, 2001**

(54) **SCONCE**

5,996,511 * 12/1999 Swoger 108/157.13

* cited by examiner

(75) Inventors: **Andy Siew Fun Vong**, Venice; **James E. Grove**, Marina Del Rey, both of CA (US)

Primary Examiner—Philip S. Hyder
(74) *Attorney, Agent, or Firm*—Seed IP Law Group PLLC

(73) Assignee: **L.A. Product Design, L.L.C.**, Marina del Rey, CA (US)

(57) **CLAIM**

The ornamental design for a sconce, as shown and described.

(**) Term: **14 Years**

DESCRIPTION

(21) Appl. No.: **29/127,331**

A portion of this disclosure contains material to which a claim for copyright is made. The inventors or their assignee (copyright owner) have no objection to the facsimile reproduction by anyone of the patent document or the patent disclosure, as it appears in the Patent and Trademark Office files or records, but reserve all other copyright rights whatsoever.

(22) Filed: **Aug. 3, 2000**

(51) **LOC (7) Cl.** **03-04**

(52) **U.S. Cl.** **D3/10**

(58) **Field of Search** D3/5, 10; 248/121, 248/230.1; 211/107; 108/157.13; 135/16

FIG. 1 is a top, right isometric view of a sconce showing our new design in the environment in which it is typically used.

FIG. 2 is a top, right isometric view of a sconce.

FIG. 3 is a front elevational view thereof; the rear elevational view is a mirror image thereof.

FIG. 4 is a top plan view thereof.

FIG. 5 is a bottom plan view thereof.

FIG. 6 is a right side elevational view thereof; and,

FIG. 7 is a left side elevational view thereof.

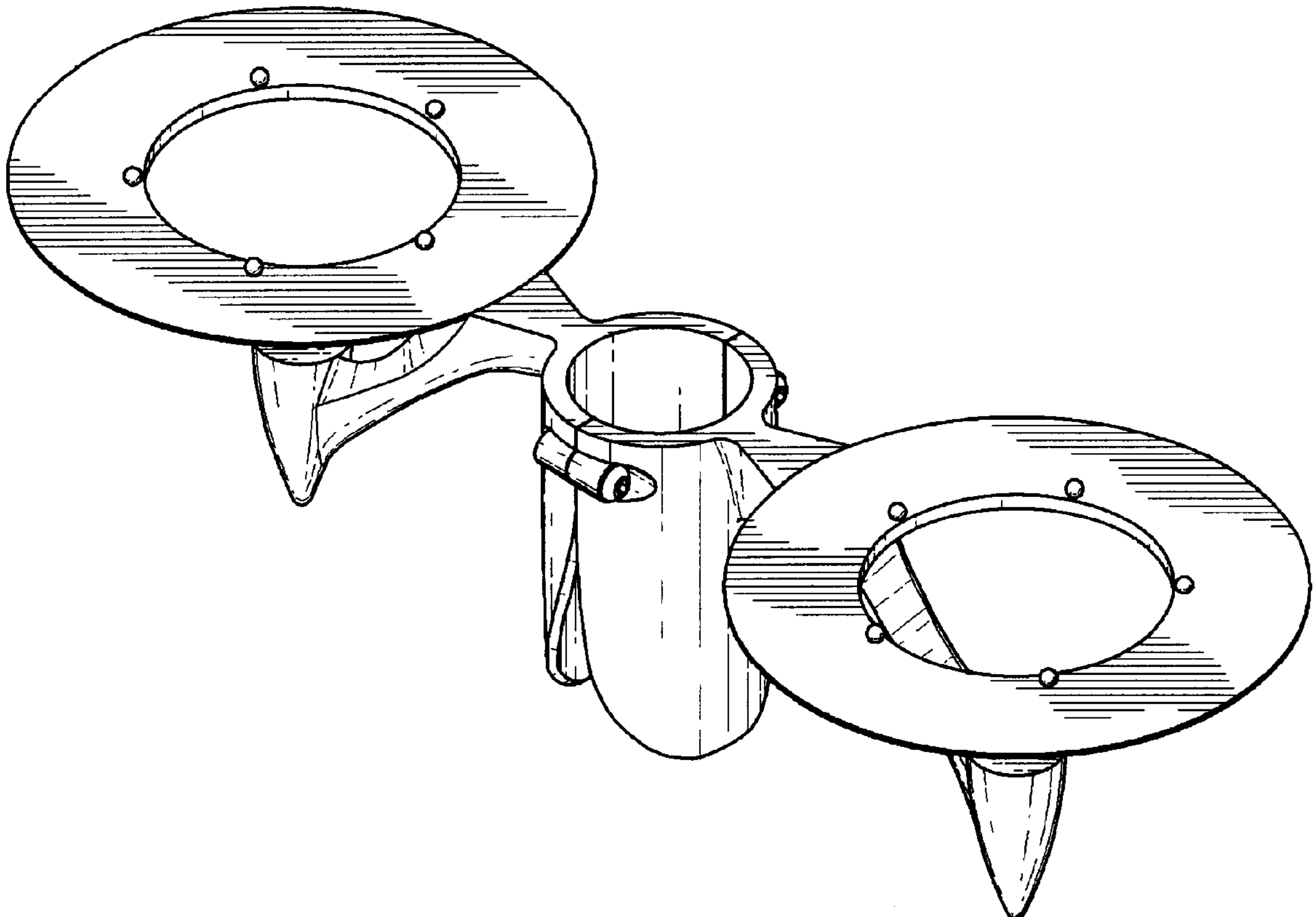
The broken lines in the figures are for illustrative purposes only and form no part of the claimed design.

(56) **References Cited**

U.S. PATENT DOCUMENTS

D. 394,589	*	5/1998	King	D3/5
3,938,869	*	2/1976	Josey	211/107
5,161,561	*	11/1992	Jamieson	135/16
5,186,196	*	2/1993	Gorka et al.	135/16
5,335,803	*	8/1994	O'Brien et al.	211/163
5,505,645	*	4/1996	Engler, Jr.	135/16
5,878,762	*	3/1999	Huang	135/16
5,934,634	*	8/1999	Lindblom	248/230.1

1 Claim, 4 Drawing Sheets



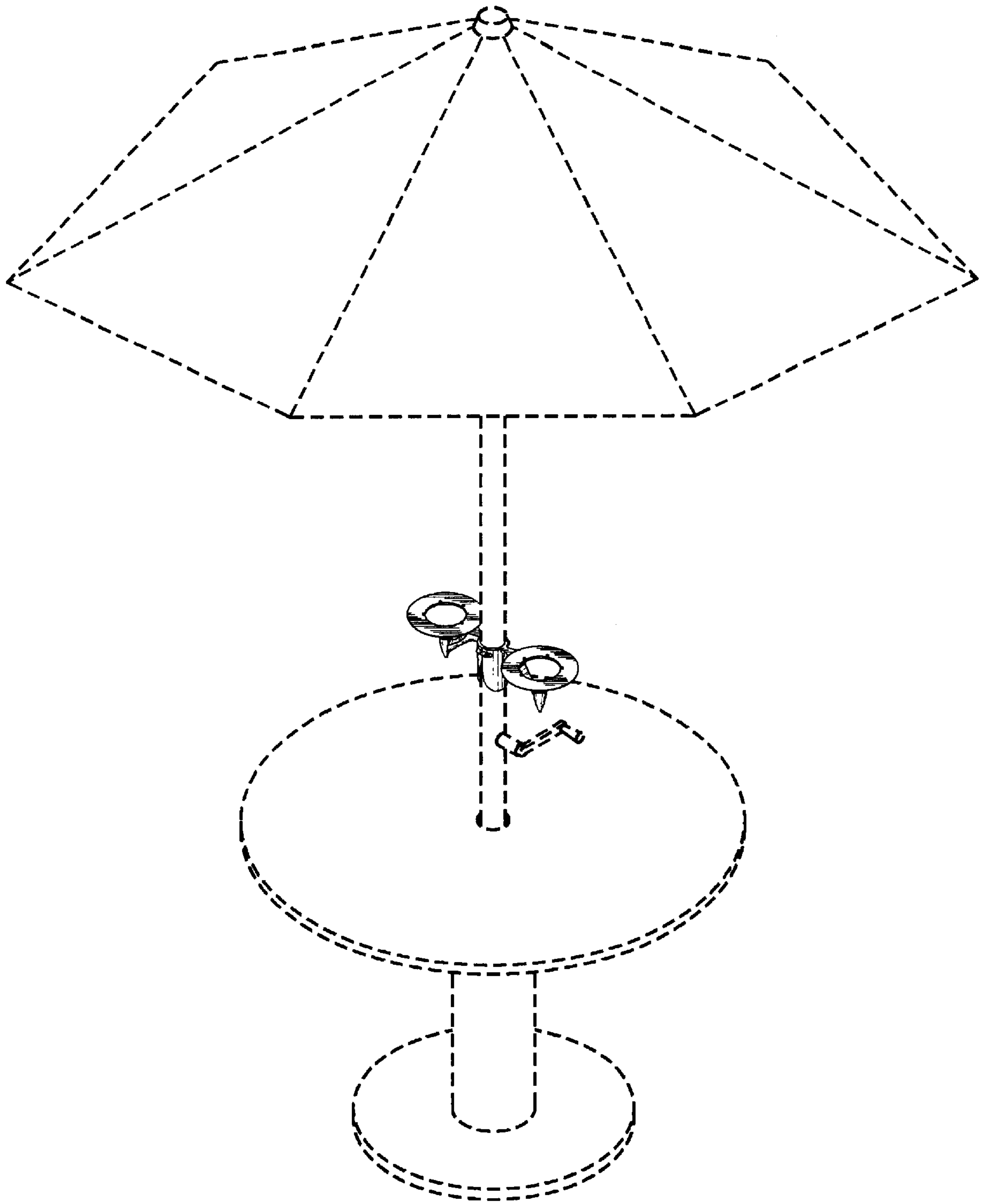


Fig. 1

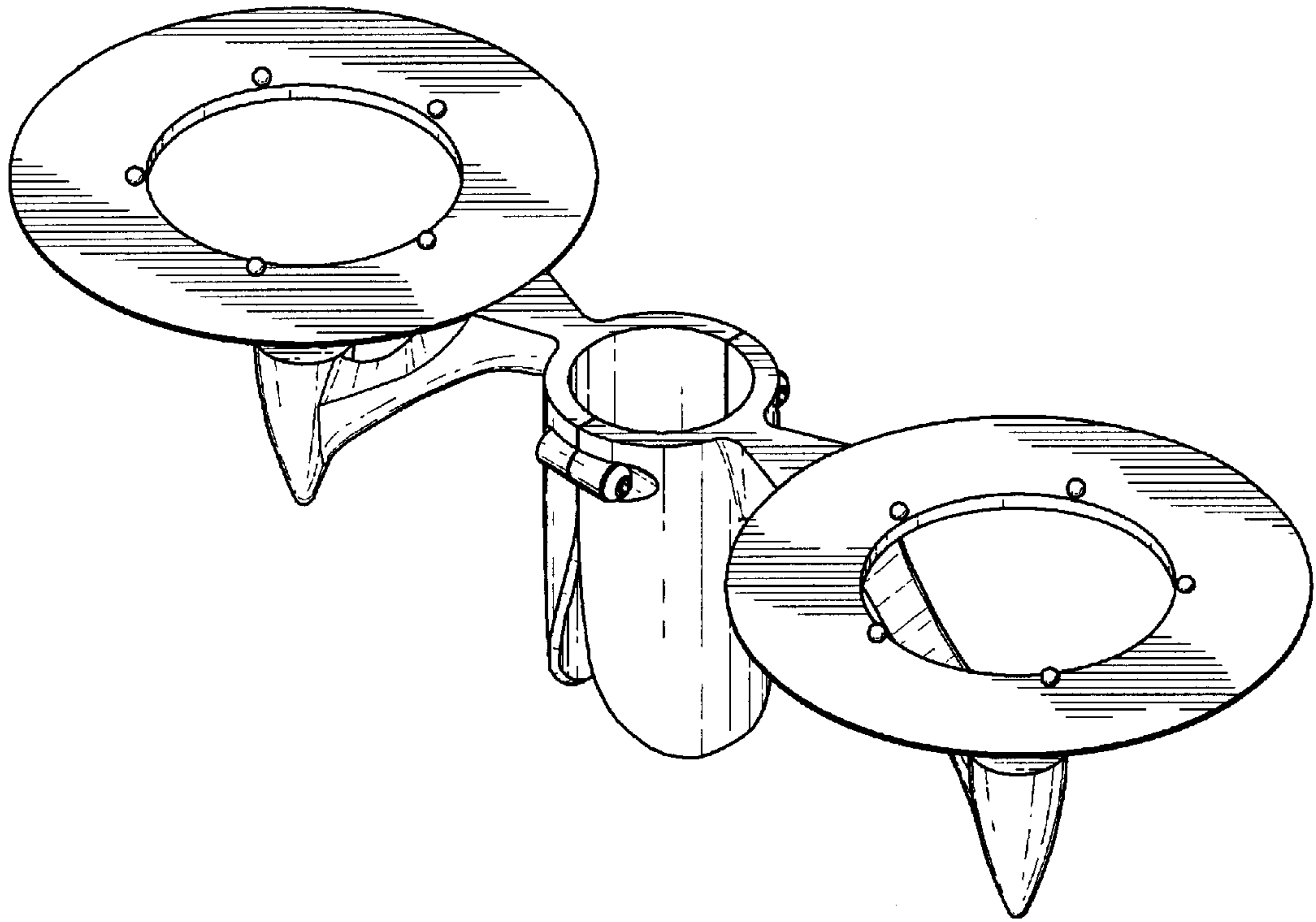


Fig. 2

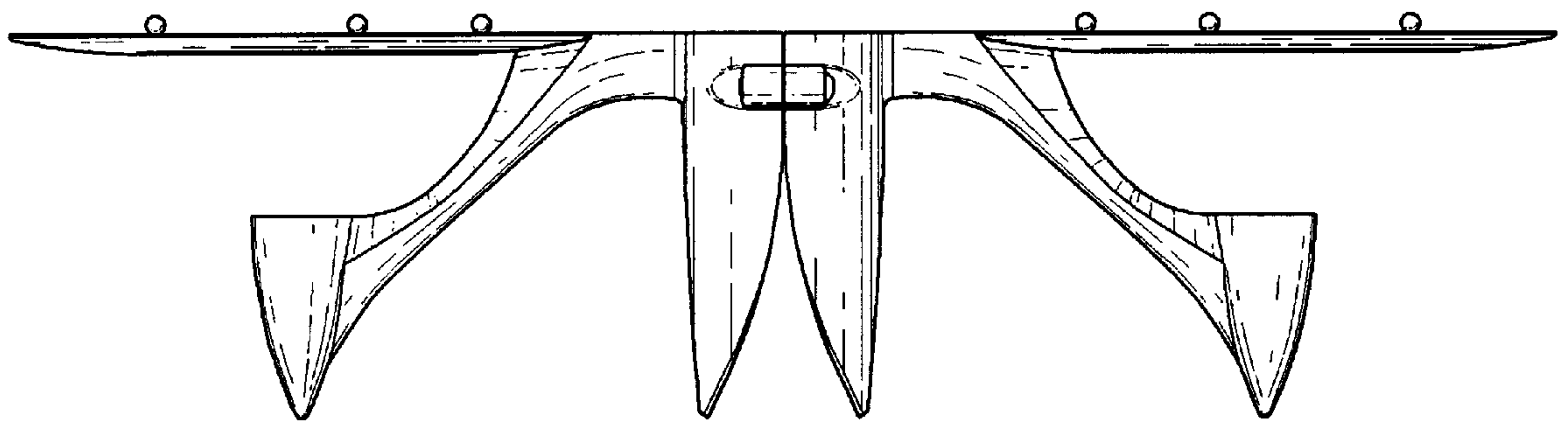


Fig. 3

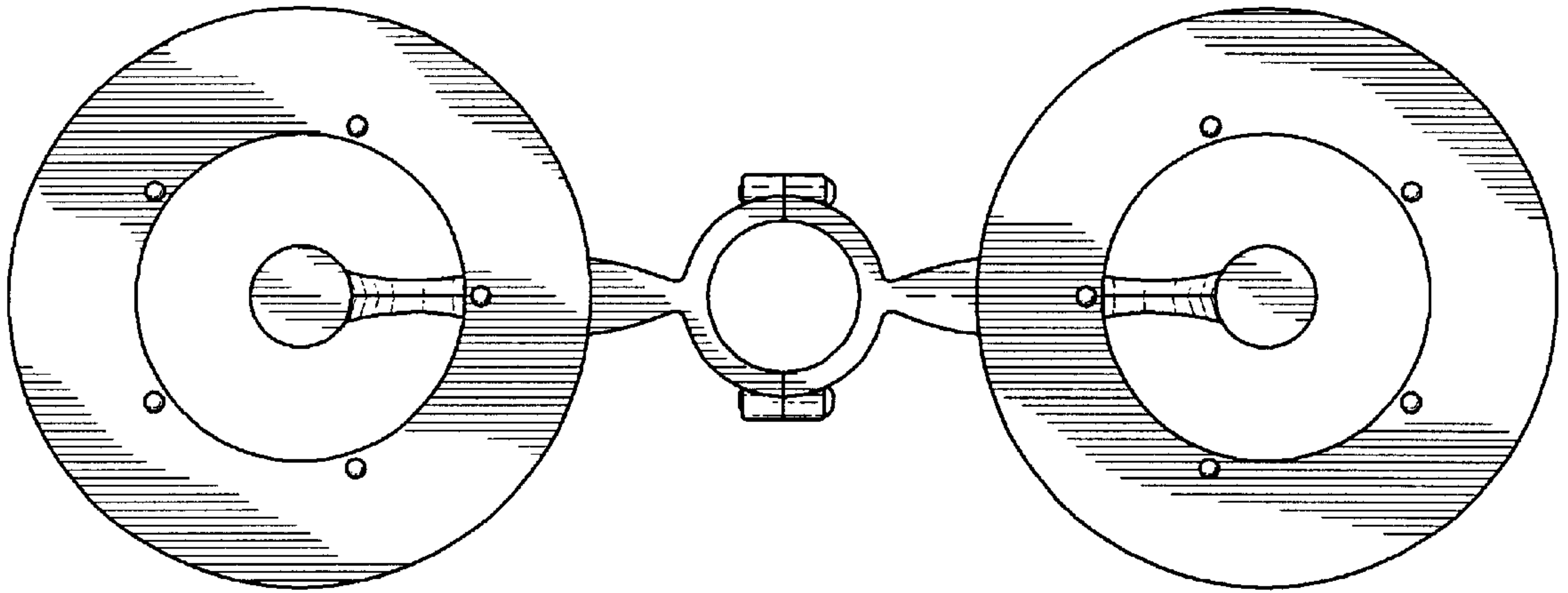


Fig. 4

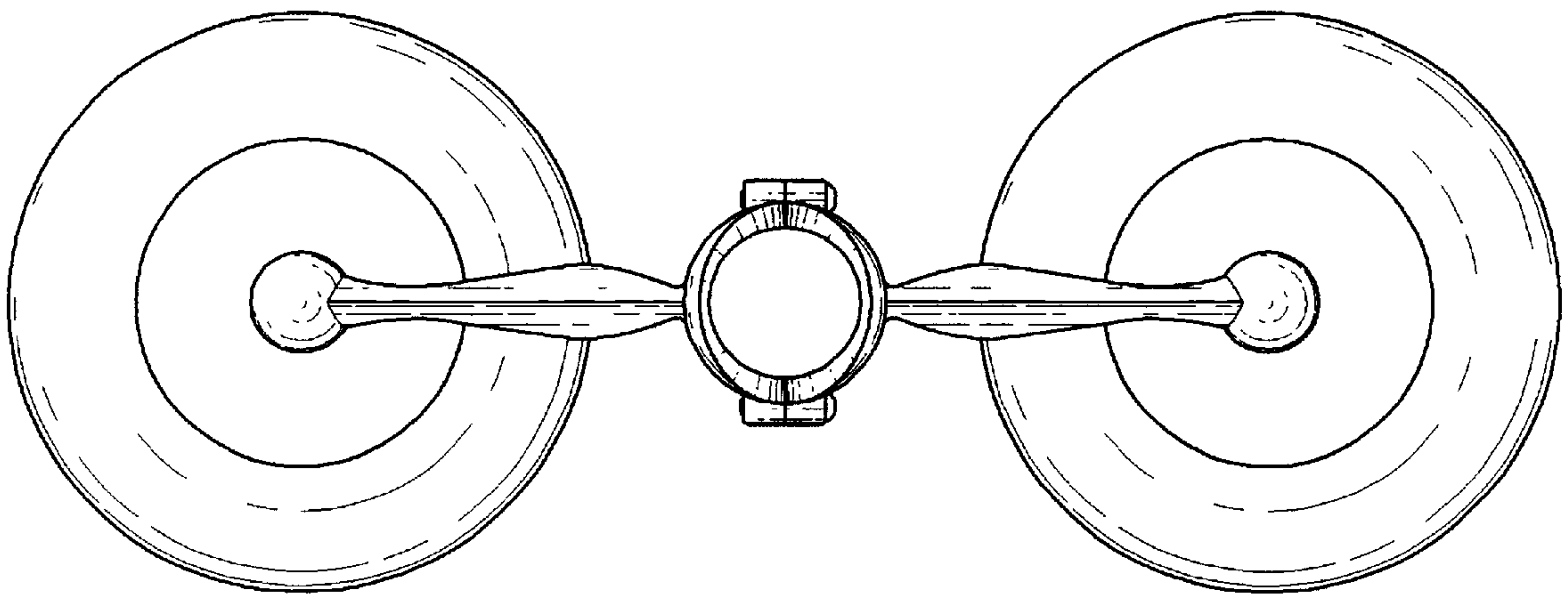


Fig. 5

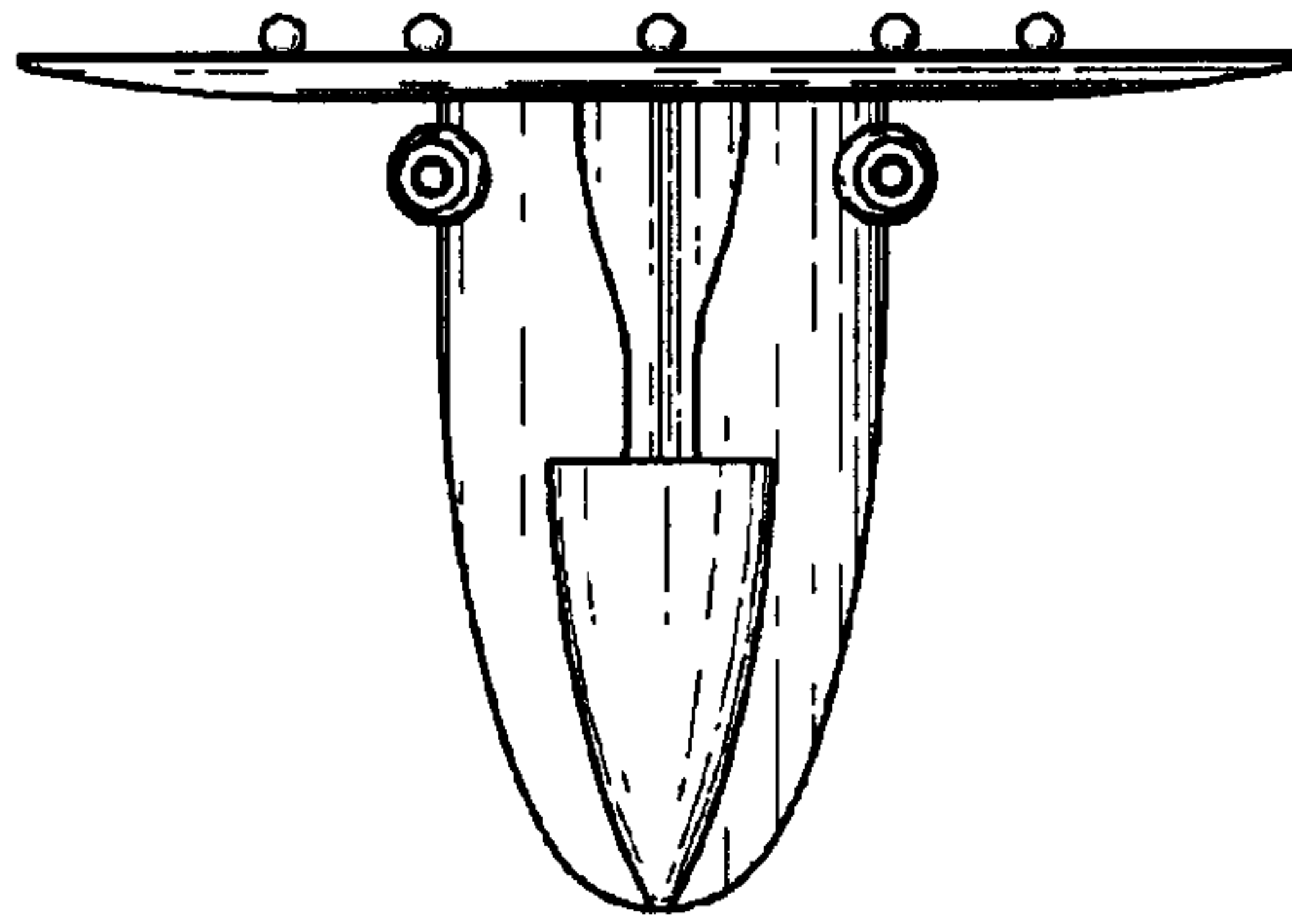


Fig. 6

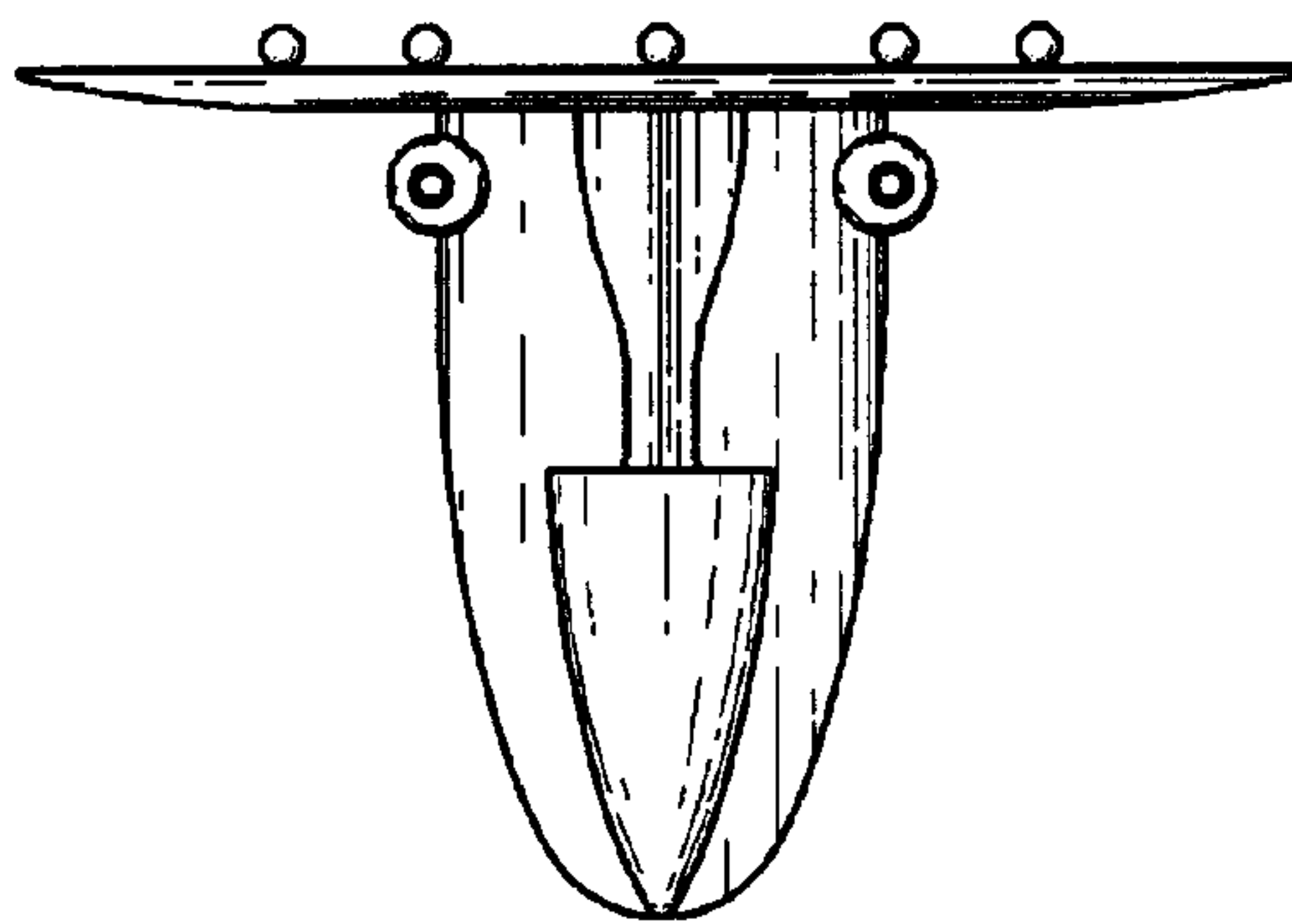


Fig. 7