



US00D448550B1

(12) **United States Design Patent**
Yang

(10) **Patent No.:** **US D448,550 S**

(45) **Date of Patent:** **** Oct. 2, 2001**

(54) **SHOE UPPER**

(75) Inventor: **Jean Yang**, Torrance, CA (US)

(73) Assignee: **Skechers U.S.A., Inc. II**, Manhattan Beach, CA (US)

(**) Term: **14 Years**

(21) Appl. No.: **29/139,505**

(22) Filed: **Mar. 30, 2001**

(51) **LOC (7) Cl.** **02-04**

(52) **U.S. Cl.** **D2/969; D2/907; D2/902**

(58) **Field of Search** D2/896-898, 900-903, D2/907-913, 920, 923, 943-960, 969, 970; 36/1, 1.5, 83, 114, 126-131, 7.1 R, 7.2-7.6, 8.1-11, 9 R, 10, 25 R, 45-50.1, 77 R, 72 R

(56) **References Cited**

U.S. PATENT DOCUMENTS

- D. 233,805 12/1974 Kubo .
- D. 239,342 3/1976 Rudolf .
- D. 248,513 7/1978 Soler .
- D. 257,074 9/1980 Gucci .
- D. 263,643 4/1982 Vermonet .
- D. 276,569 12/1984 Kohno .
- D. 279,620 7/1985 Ueda .
- D. 351,275 10/1994 Hatfield et al. .
- D. 361,884 9/1995 Lozano .
- D. 362,333 9/1995 Teague .
- D. 365,200 12/1995 Teague .
- D. 368,578 4/1996 Smith .

- D. 405,600 2/1999 Hamel .
- D. 419,756 * 2/2000 Edwards D2/969
- D. 421,176 * 2/2000 Matis et al. D2/969
- D. 435,162 * 12/2000 Wilson D2/969
- D. 444,623 * 7/2001 Wilson D2/969
- D. 444,624 * 7/2001 Wilson D2/969
- 4,314,413 2/1982 Dassler .
- 4,651,447 3/1987 Sullivan .
- 4,670,998 6/1987 Pasternak .
- 4,949,476 8/1990 Anderie .

* cited by examiner

Primary Examiner—Louis S. Zarfaz

Assistant Examiner—Gregory Andoll

(74) *Attorney, Agent, or Firm*—Marshall A. Lerner, Esq.; Bradford E. Mattes, Esq.; Kleinberg & Lerner, LLP

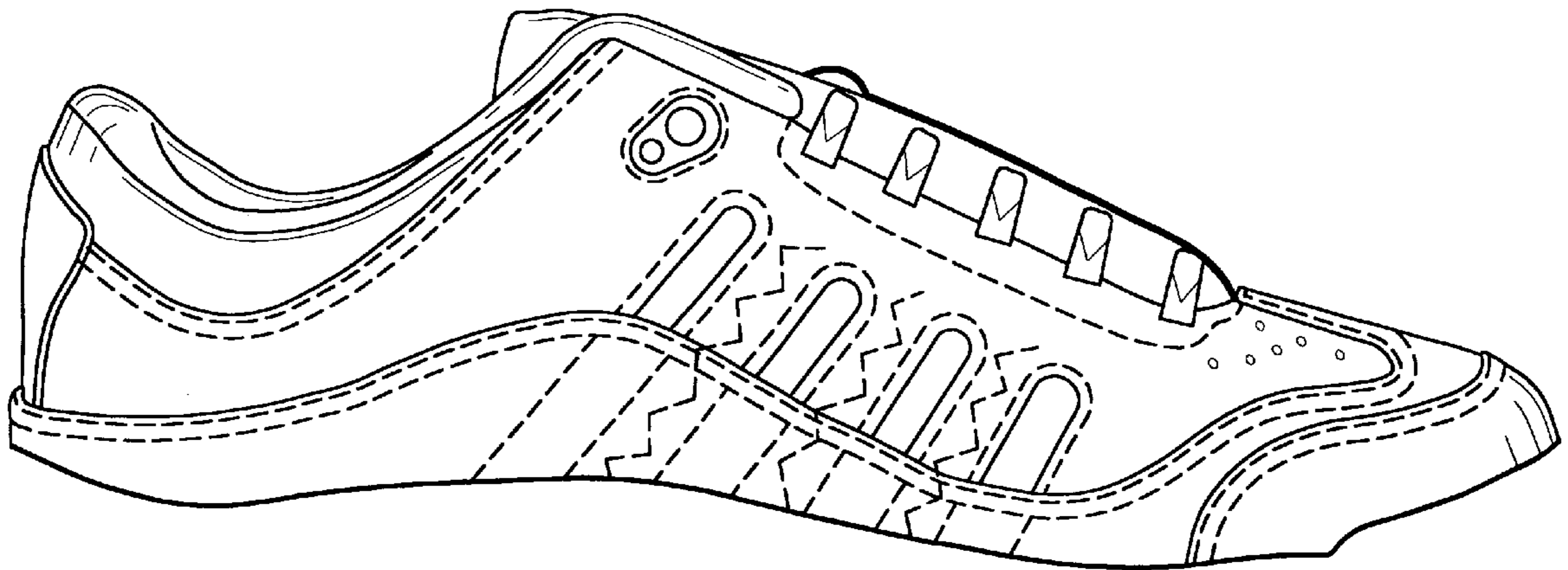
(57) **CLAIM**

The ornamental design for a shoe upper, as shown and described.

DESCRIPTION

FIG. 1 is an upper perspective view of the front showing my new design for a shoe upper;
FIG. 2 is a left side elevational view thereof;
FIG. 3 is a upper plan elevational view thereof;
FIG. 4 is a right side elevational view thereof;
FIG. 5 is a front elevational view thereof; and,
FIG. 6 is a rear elevational view.
The broken lines showing the sole in FIG. 1 is for illustrative purposes only and form no part of the claimed design.

1 Claim, 3 Drawing Sheets



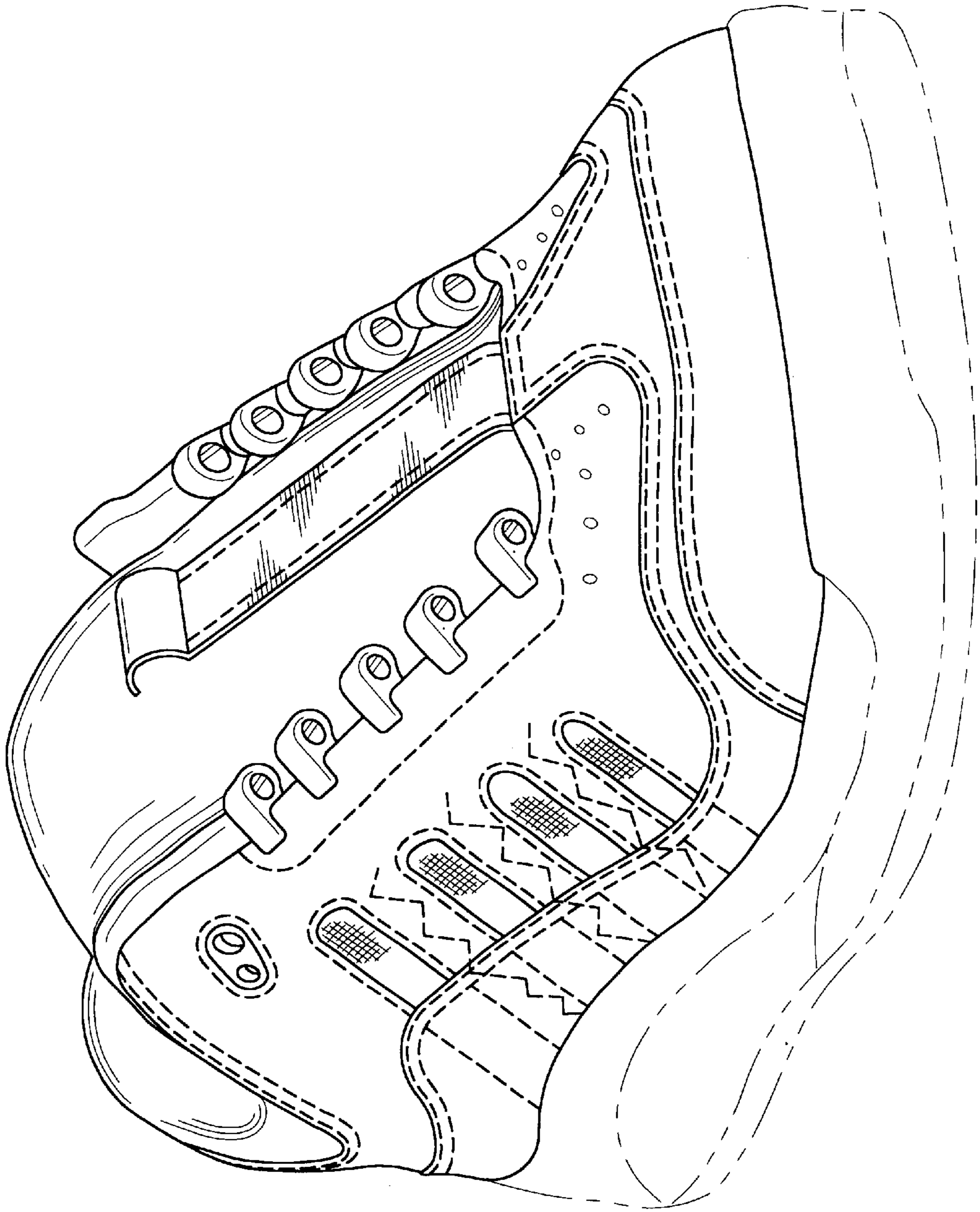


FIG. - 1

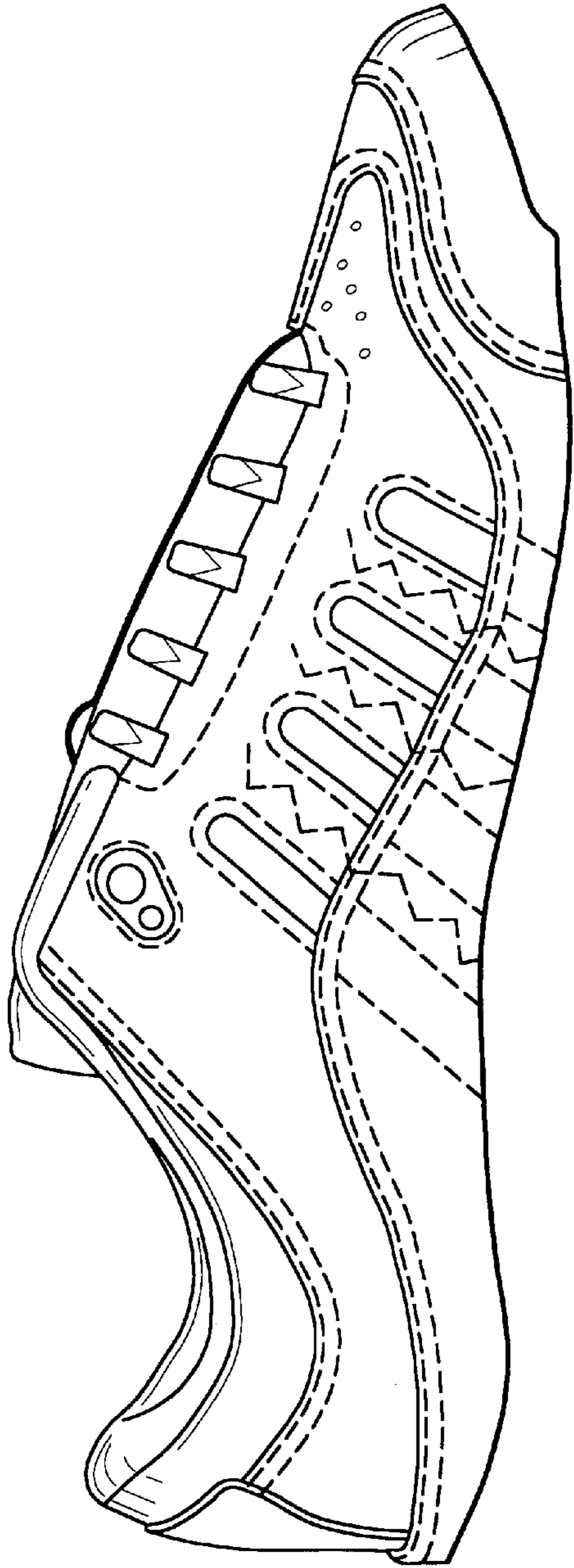


FIG. -2

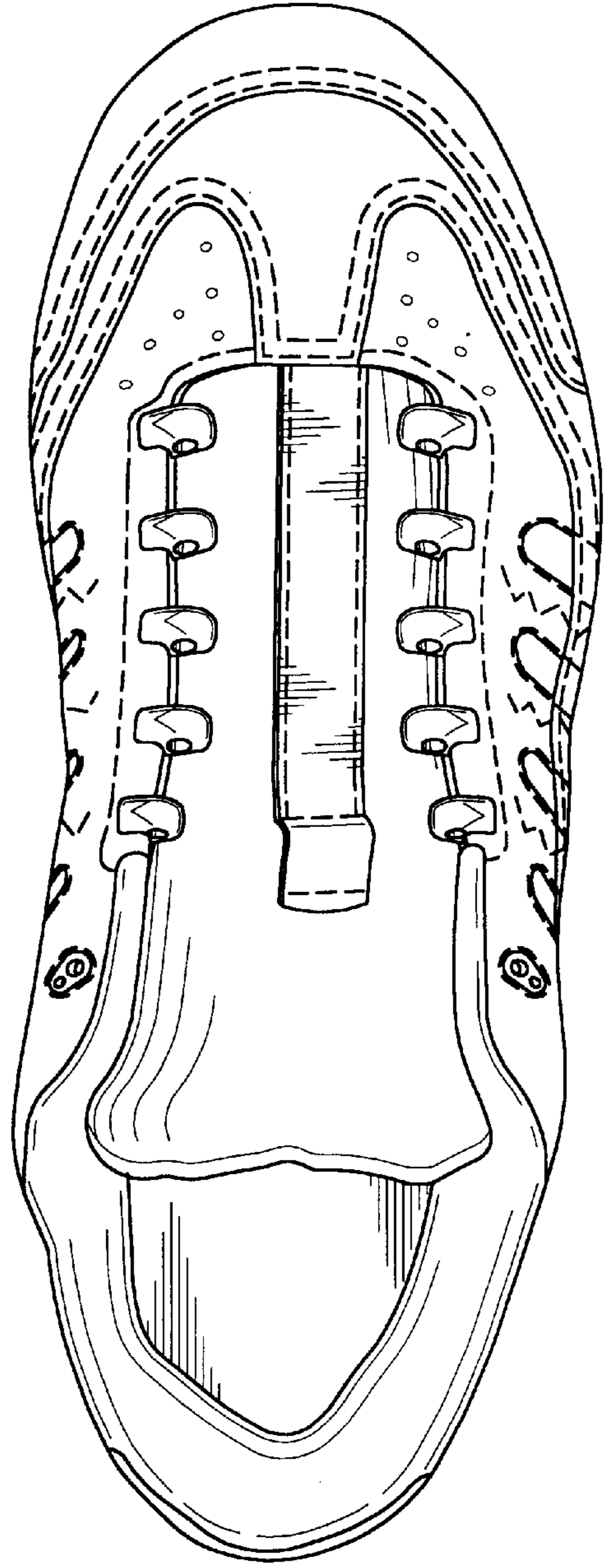


FIG. -3

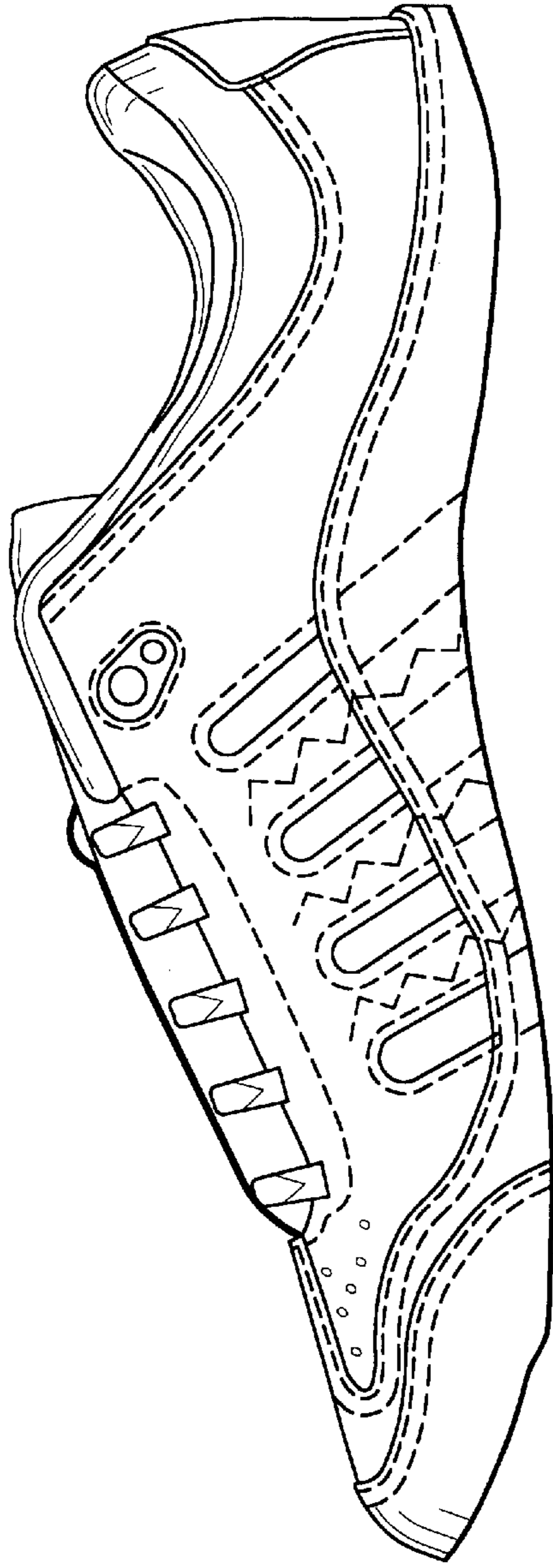


FIG. -4

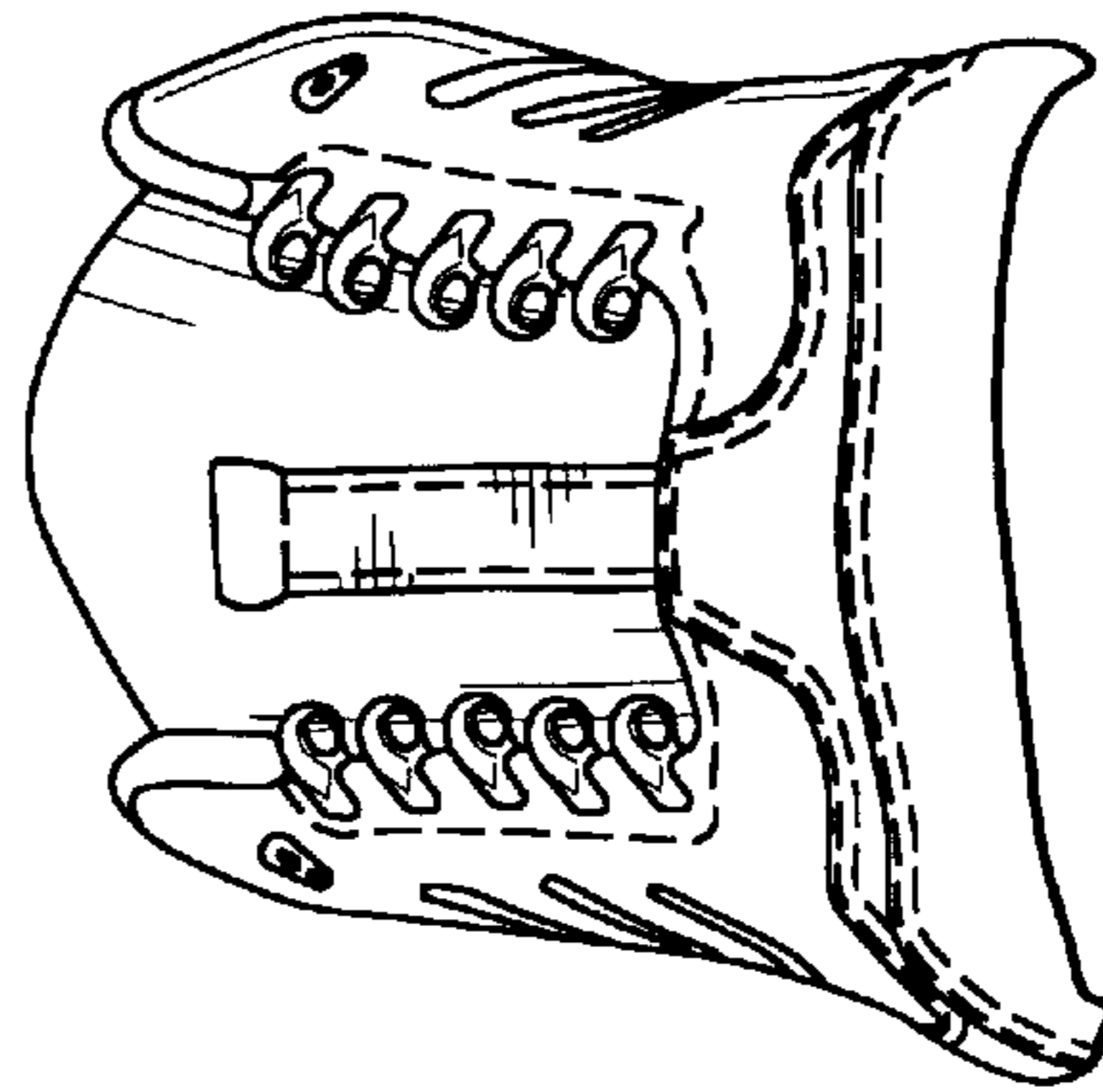


FIG. -5

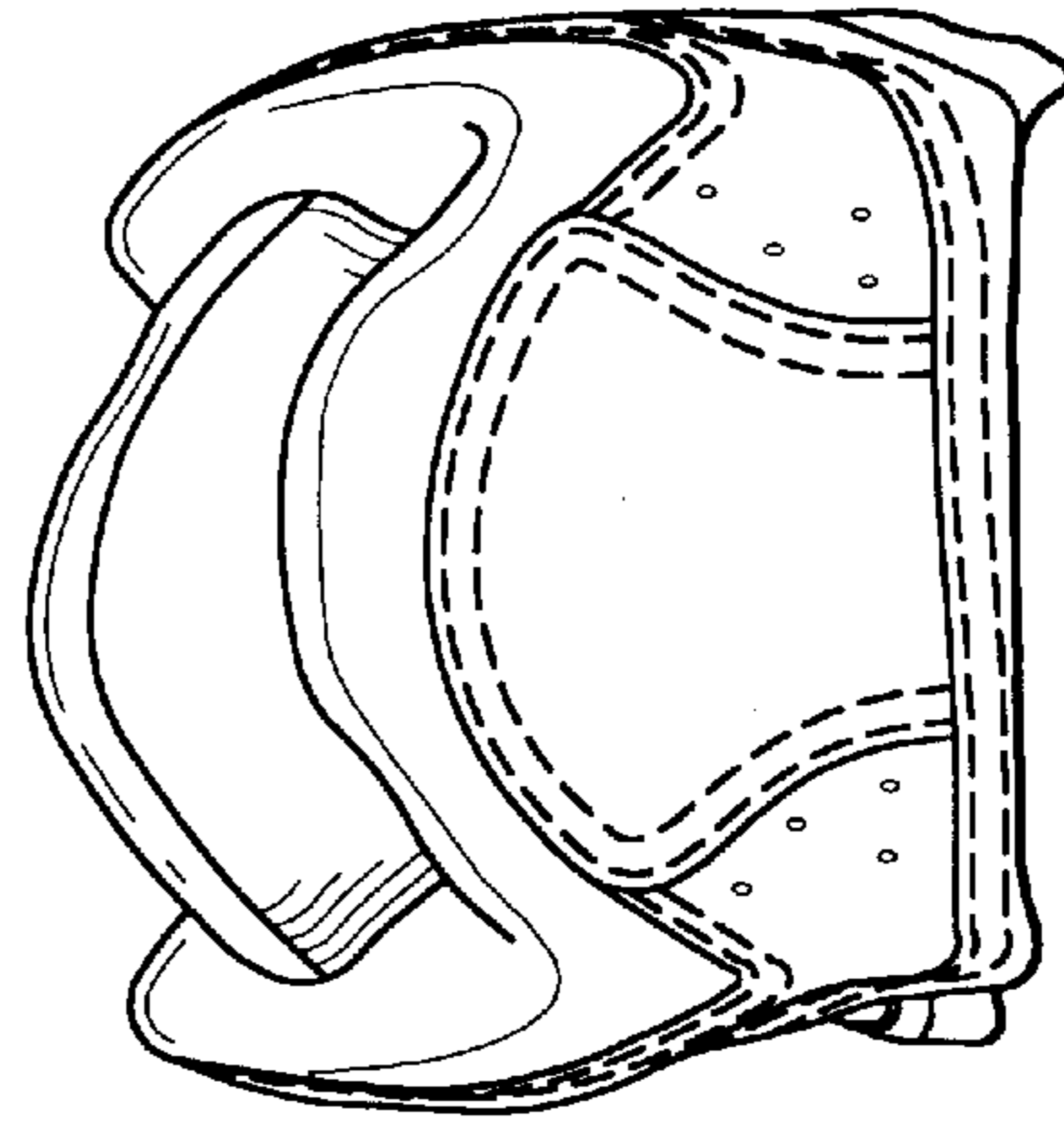


FIG. -6