



US00D448541B1

(12) **United States Design Patent**
Robinson

(10) **Patent No.:** **US D448,541 S**

(45) **Date of Patent:** **** Oct. 2, 2001**

(54) **BRASSIERE**

(76) Inventor: **Charles Robinson**, 4 The Whiteings,
Oak Lane, Ilford, Essex (GB), 162 4PB

(**) Term: **14 Years**

(21) Appl. No.: **29/113,546**

(22) Filed: **Nov. 5, 1999**

(30) **Foreign Application Priority Data**

May 10, 1999 (AU) 1457/99

(51) **LOC (7) Cl.** **02-01**

(52) **U.S. Cl.** **D2/706; D2/706; D2/857**

(58) **Field of Search** **D2/706-709, 857;**
2/247; 450/2, 3, 17, 27, 31, 32, 38, 39,
52-55, 58, 86, 88, 89

(56) **References Cited**

U.S. PATENT DOCUMENTS

D. 408,963	*	5/1999	Consolo	D2/706
1,272,427	*	7/1918	Haderlein	450/37
1,391,936	*	9/1921	Bosky	450/89
2,918,920	*	12/1959	Lutsky	450/2
3,093,137	*	6/1963	Dugan	450/19
3,459,191	*	8/1969	Barg	450/89
4,024,876	*	5/1977	Penrock	450/48
4,185,332	*	1/1980	Jahnig	623/7
4,261,366	*	4/1981	Lamborn	450/54
4,412,542	*	11/1983	Reichert	450/31

5,050,595	*	9/1991	Krafft	607/108
5,067,178	*	11/1991	Katchka	2/25 G
5,496,205		3/1996	Lee	.	
5,573,441	*	11/1996	Smith	450/89
5,839,942	*	11/1998	Miller	450/58
5,940,888	*	8/1999	Sher	2/267
6,048,252	*	4/2000	Sebring	450/1
6,099,382	*	8/2000	Wilson	450/89

FOREIGN PATENT DOCUMENTS

7278908 10/1995 (JP) .

* cited by examiner

Primary Examiner—Celia Murphy

(57) **CLAIM**

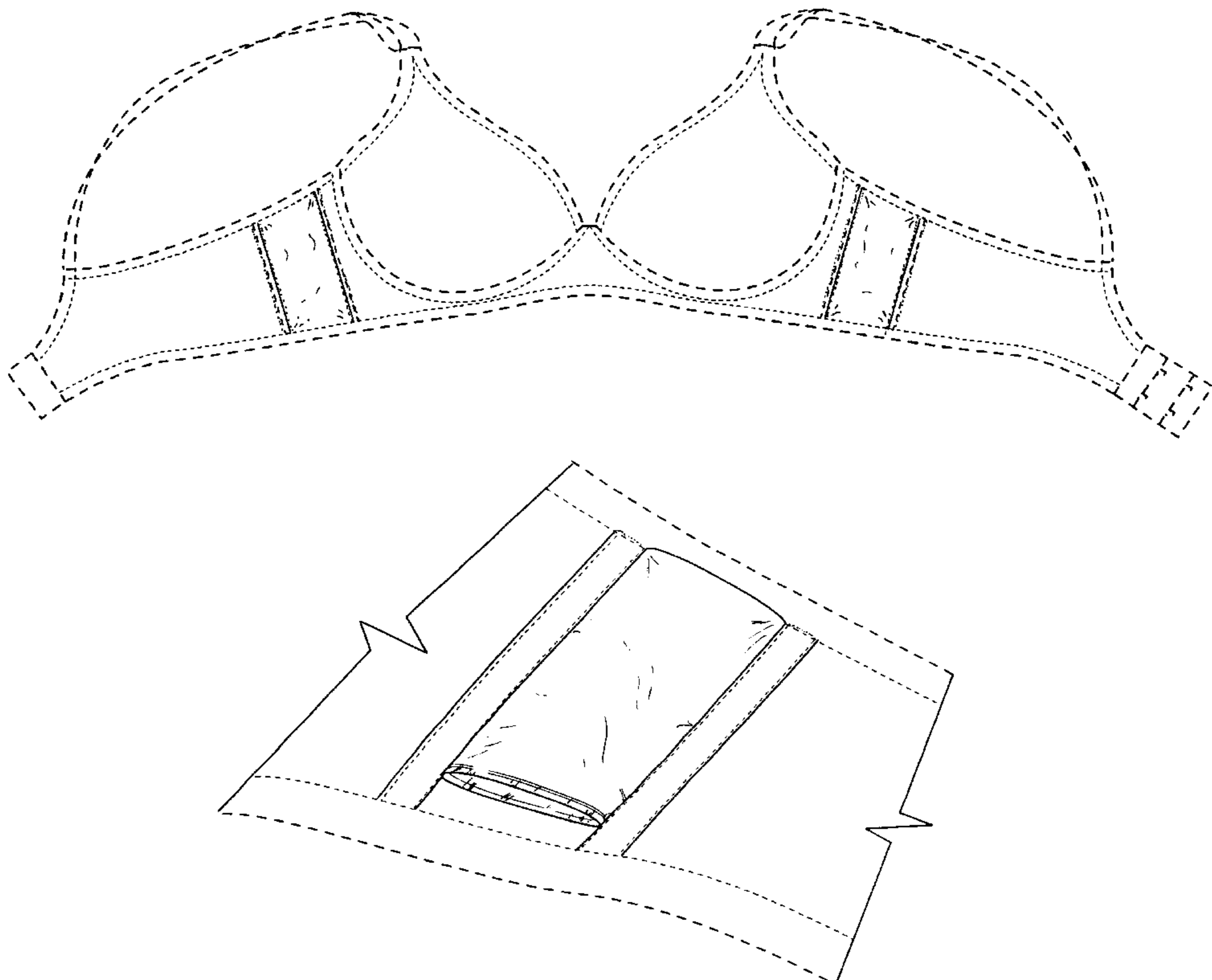
The ornamental design for a brassiere, as shown and described.

DESCRIPTION

FIG. 1 is a front view of a brassiere showing my new design; FIG. 2 is a rear view thereof; and, FIG. 3 is an enlarged fragmentary perspective view of the pocket portion thereof.

The broken lines of the bra shown throughout the views are for illustrative purposes only, and form no part of the claimed design. And the broken lines within the parallel strips on each side of the pocket feature in FIGS. 2 and 3 are understood to represent stitching.

1 Claim, 3 Drawing Sheets



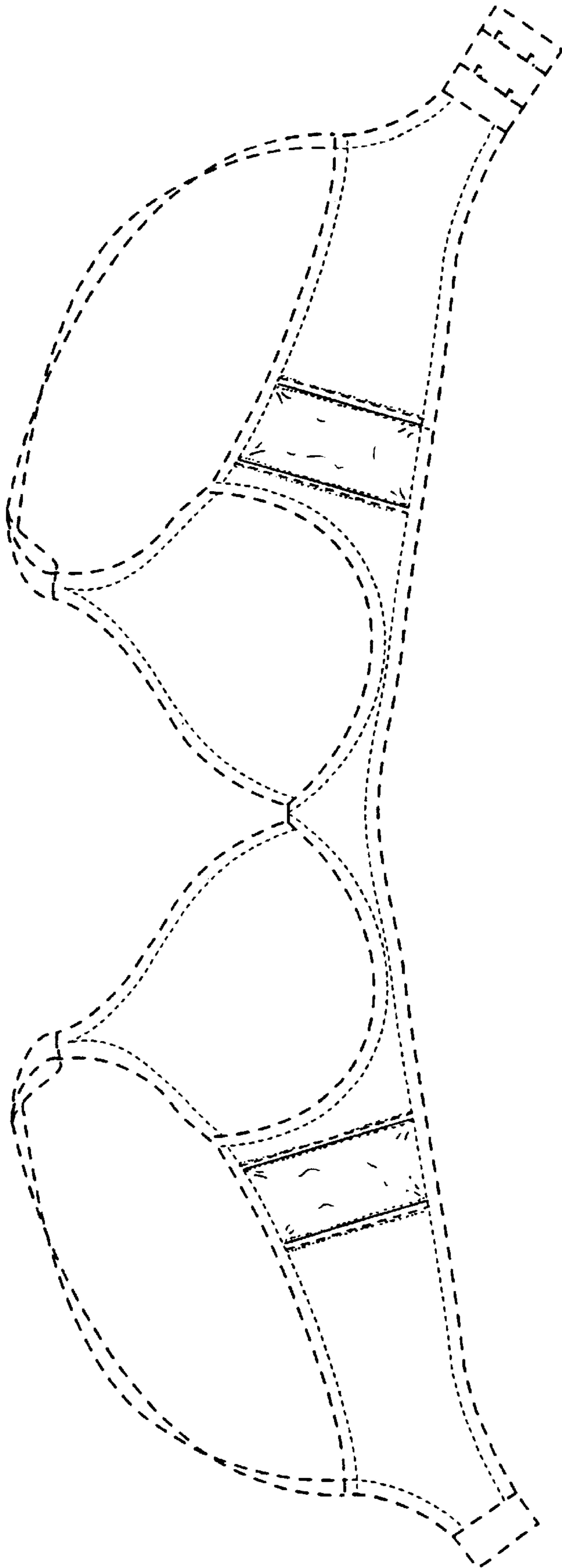


Figure 1

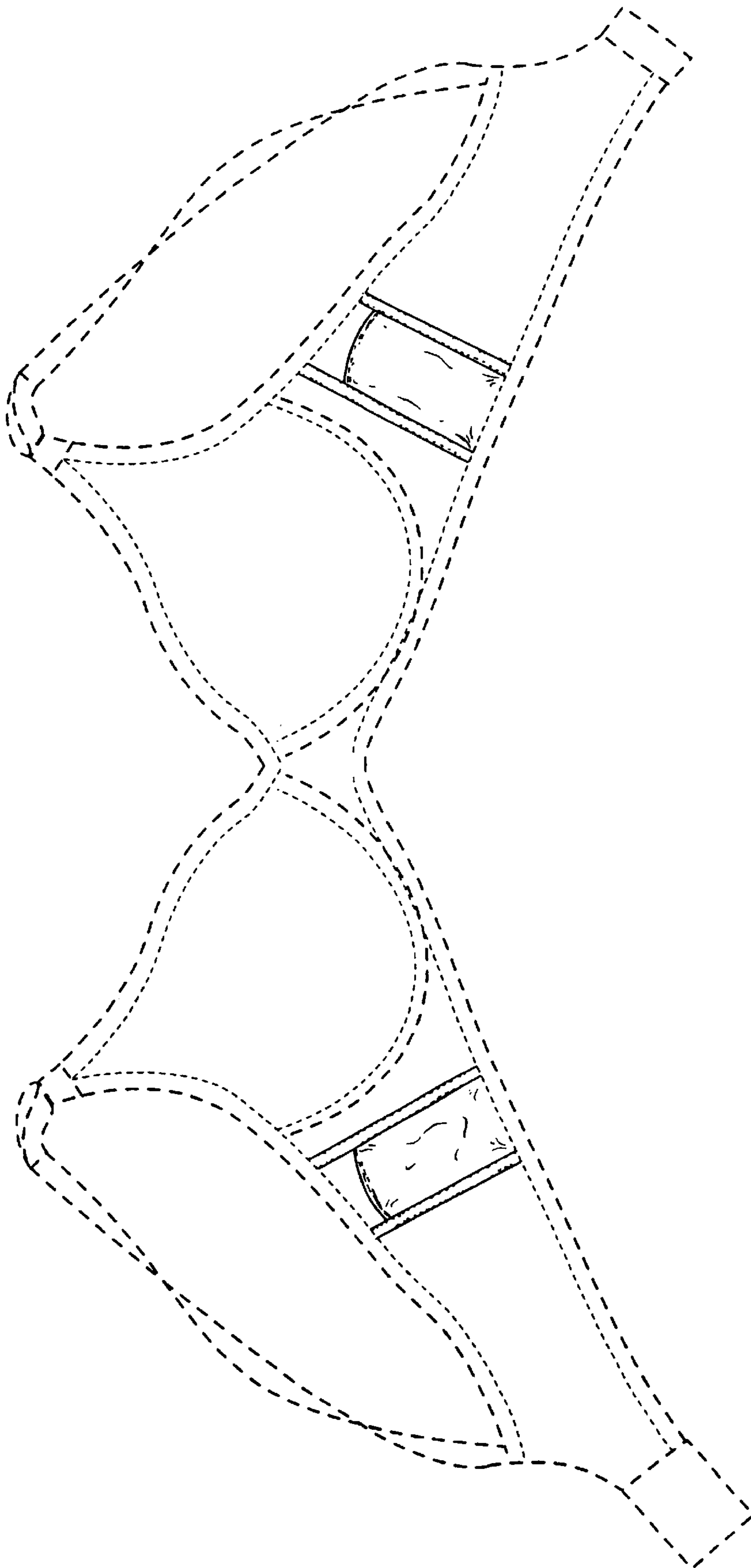


Figure 2

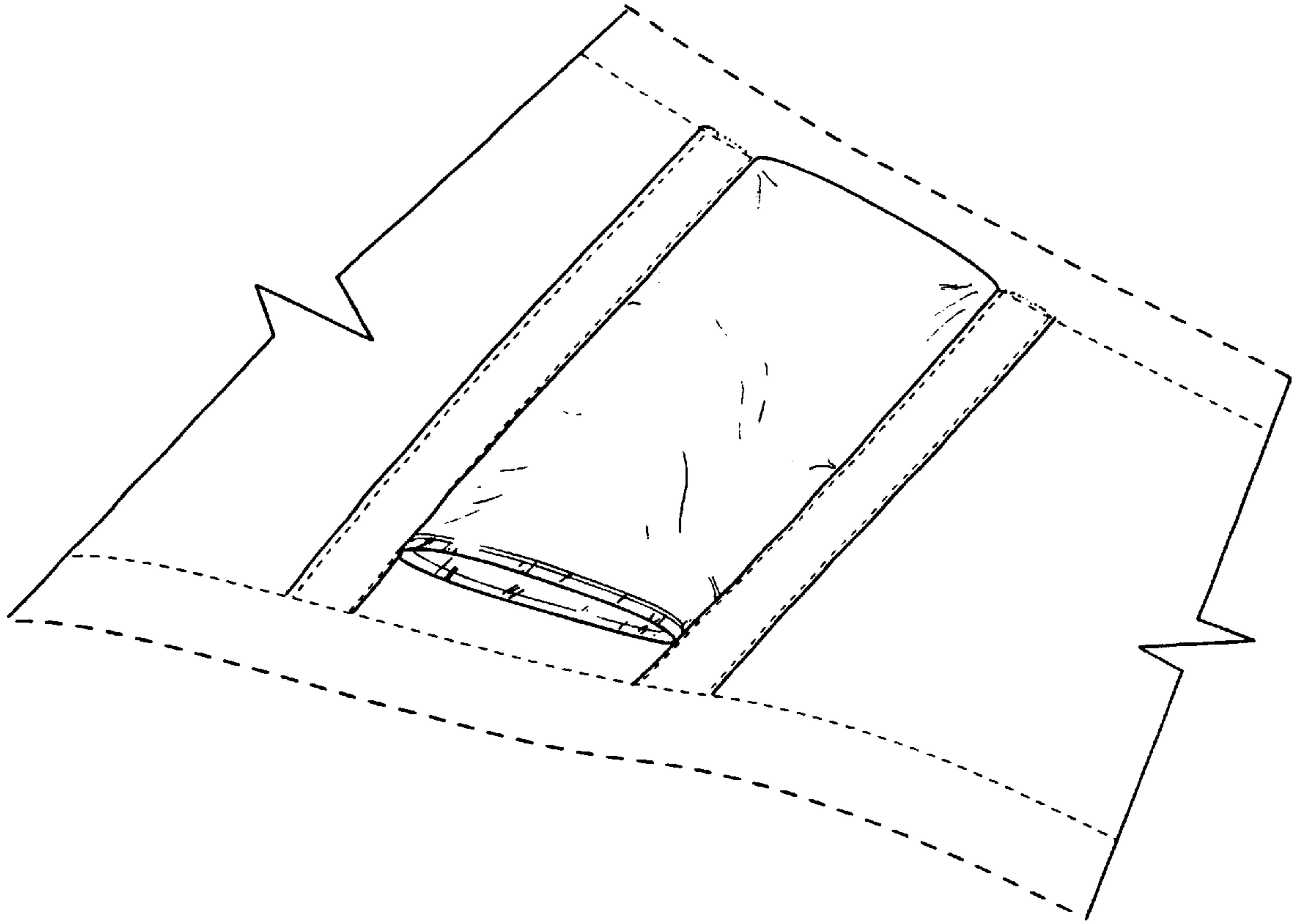


Figure 3