



US00D448536B1

(12) **United States Design Patent**
Treschitta

(10) **Patent No.:** **US D448,536 S**

(45) **Date of Patent:** **** Sep. 25, 2001**

(54) **DECORATIVE ROLLING DOLLY FOR MOVING RECYCLE BINS**

(76) **Inventor:** **John Treschitta**, 25 Waschuk Cir., Fairfield, CT (US) 06432

(**) **Term:** **14 Years**

(21) **Appl. No.:** **29/134,129**

(22) **Filed:** **Dec. 14, 2000**

(51) **LOC (7) Cl.** **12-02**

(52) **U.S. Cl.** **D34/23; D34/12**

(58) **Field of Search** **D34/12-27; 280/30, 280/87.021, 47.34, 656, 32.6, 32.5, 79.11, 79.3**

(56) **References Cited**

U.S. PATENT DOCUMENTS

D. 257,139	*	9/1980	Bigge	D34/23
D. 287,779	*	1/1987	Slany	D34/25
D. 321,965		11/1991	Delmerico et al.	.	
D. 328,172		7/1992	Juergens	.	
D. 349,995		8/1994	Cassel et al.	.	
2,740,981		4/1956	Famolare et al.	.	
5,123,667		6/1992	Stolzman	.	
5,183,280		2/1993	Gresch	.	
5,445,396		8/1995	Sebor	.	
5,472,220		12/1995	Stephan	.	
5,653,458	*	8/1997	Chaparian	280/30

* cited by examiner

Primary Examiner—Kay H. Chin

(74) *Attorney, Agent, or Firm*—Ware Fressola Van Der Sluys & Adolphson LLP

(57) **CLAIM**

The ornamental design for a decorative rolling dolly for moving recycle bins, as shown and described.

DESCRIPTION

FIG. 1 is a perspective view of a first embodiment of my new

design having four wheels, in a stored configuration with handle in tucked down position;

FIG. 2 is a top plan view thereof;

FIG. 3 is a right side view thereof, the left side being identical;

FIG. 4 is a bottom plan view thereof;

FIG. 5 is a rear elevation view thereof;

FIG. 6 is a front elevation view thereof;

FIG. 7 is a perspective view of a second embodiment of my new design having four wheels, in a stored configuration with handle in protruding down position;

FIG. 8 is a top plan view thereof;

FIG. 9 is a right side view thereof, the left side being identical;

FIG. 10 is a bottom plan view thereof;

FIG. 11 is a rear elevation view thereof;

FIG. 12 is a front elevation view thereof;

FIG. 13 is a perspective view of a third embodiment of my new design having two wheels, in an unstored configuration, the top plan view thereof being identical to FIG. 8;

FIG. 14 is a right side view of the third embodiment, in a stored configuration with handle in protruding down position, the left side being identical;

FIG. 15 is a bottom plan view thereof;

FIG. 16 is a rear elevation view thereof;

FIG. 17 is a front elevation view thereof;

FIG. 18 is a perspective view of a fourth embodiment of my new design having four wheels and a long body, in a stored configuration with handle in tucked down position;

FIG. 19 is a top plan view thereof;

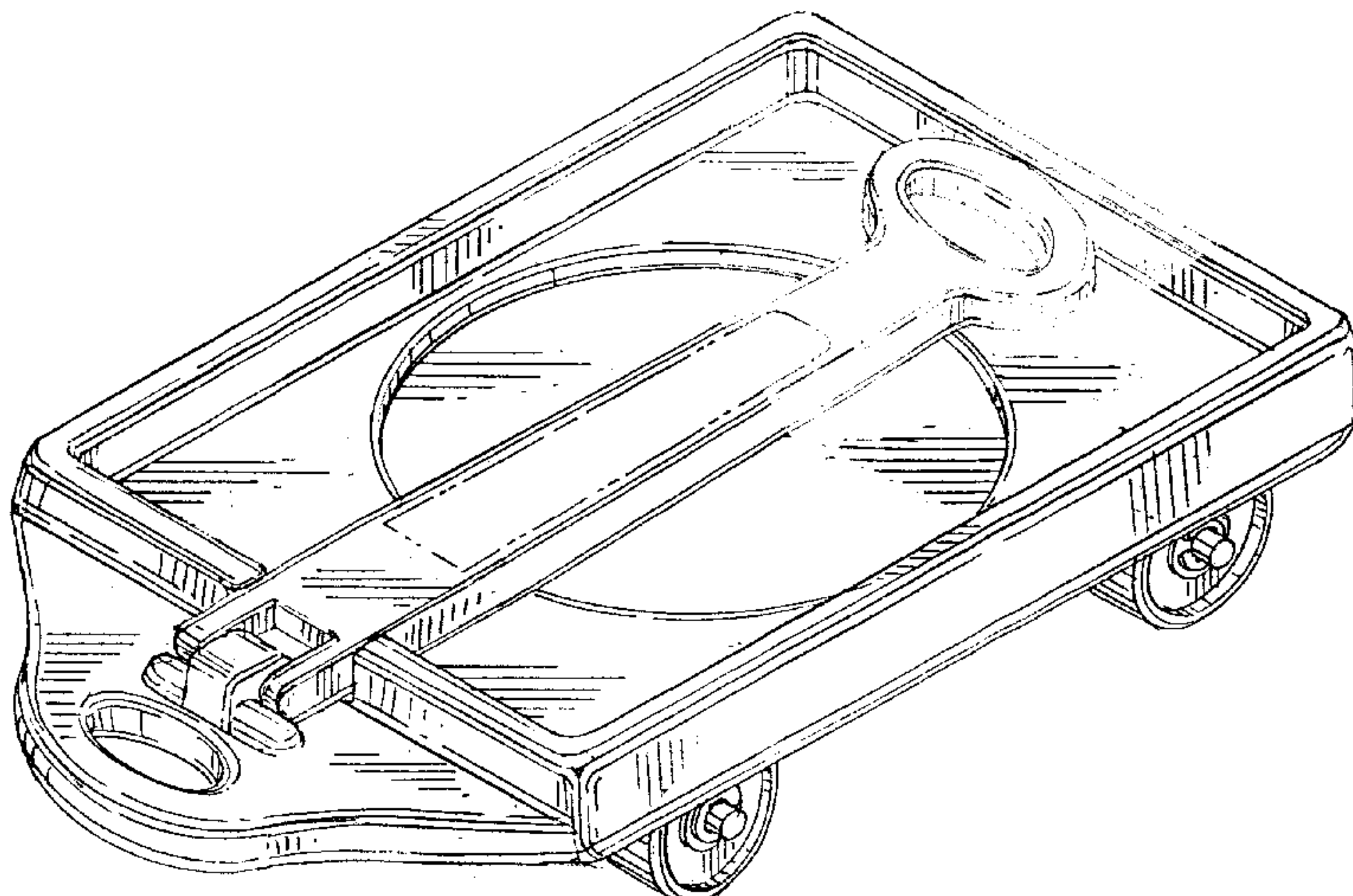
FIG. 20 is a right side view thereof, the left side being identical;

FIG. 21 is a bottom plan view thereof;

FIG. 22 is a rear elevation view thereof; and,

FIG. 23 is a front elevation view thereof.

1 Claim, 12 Drawing Sheets



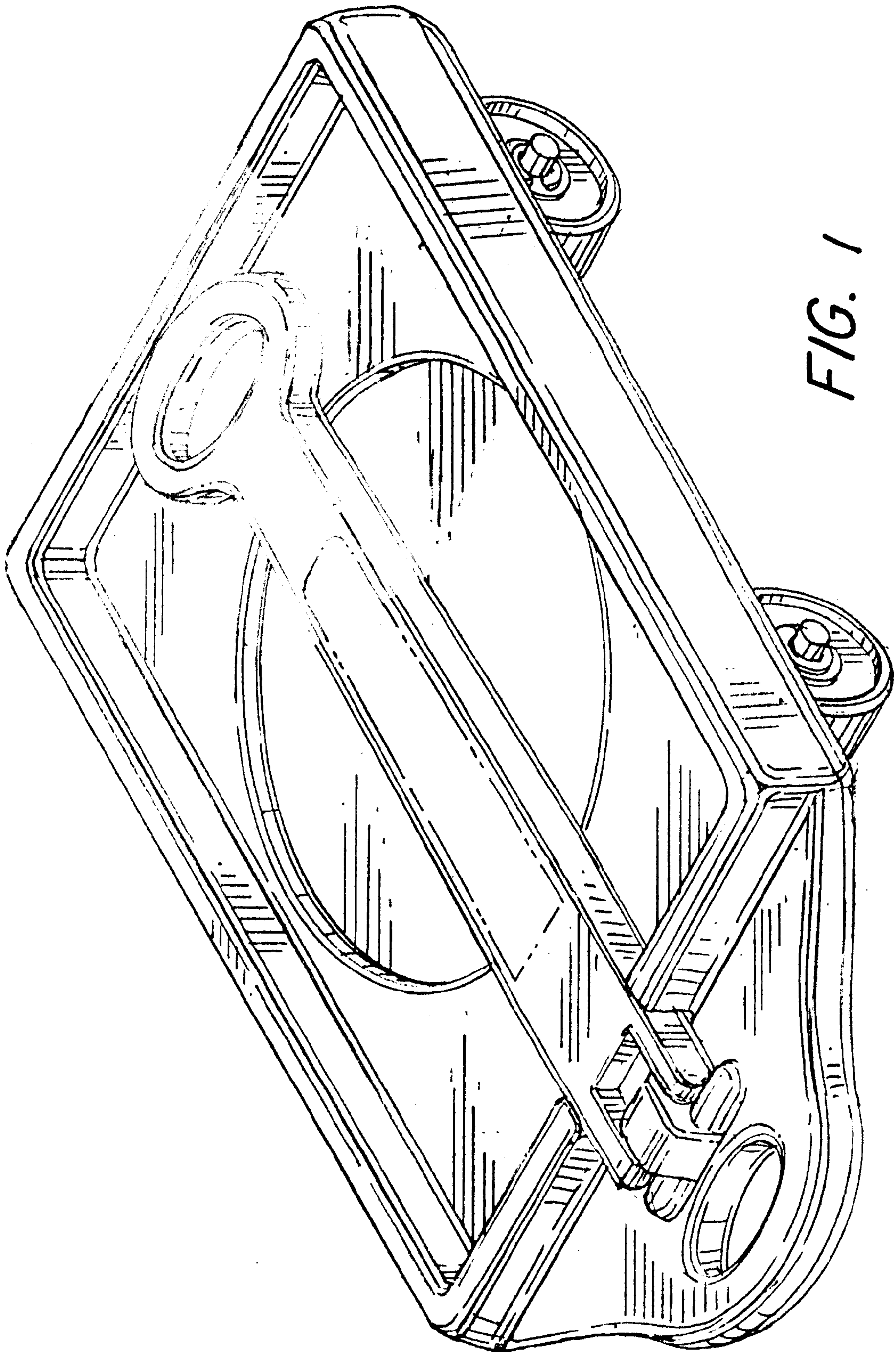


FIG. 1

FIG. 2

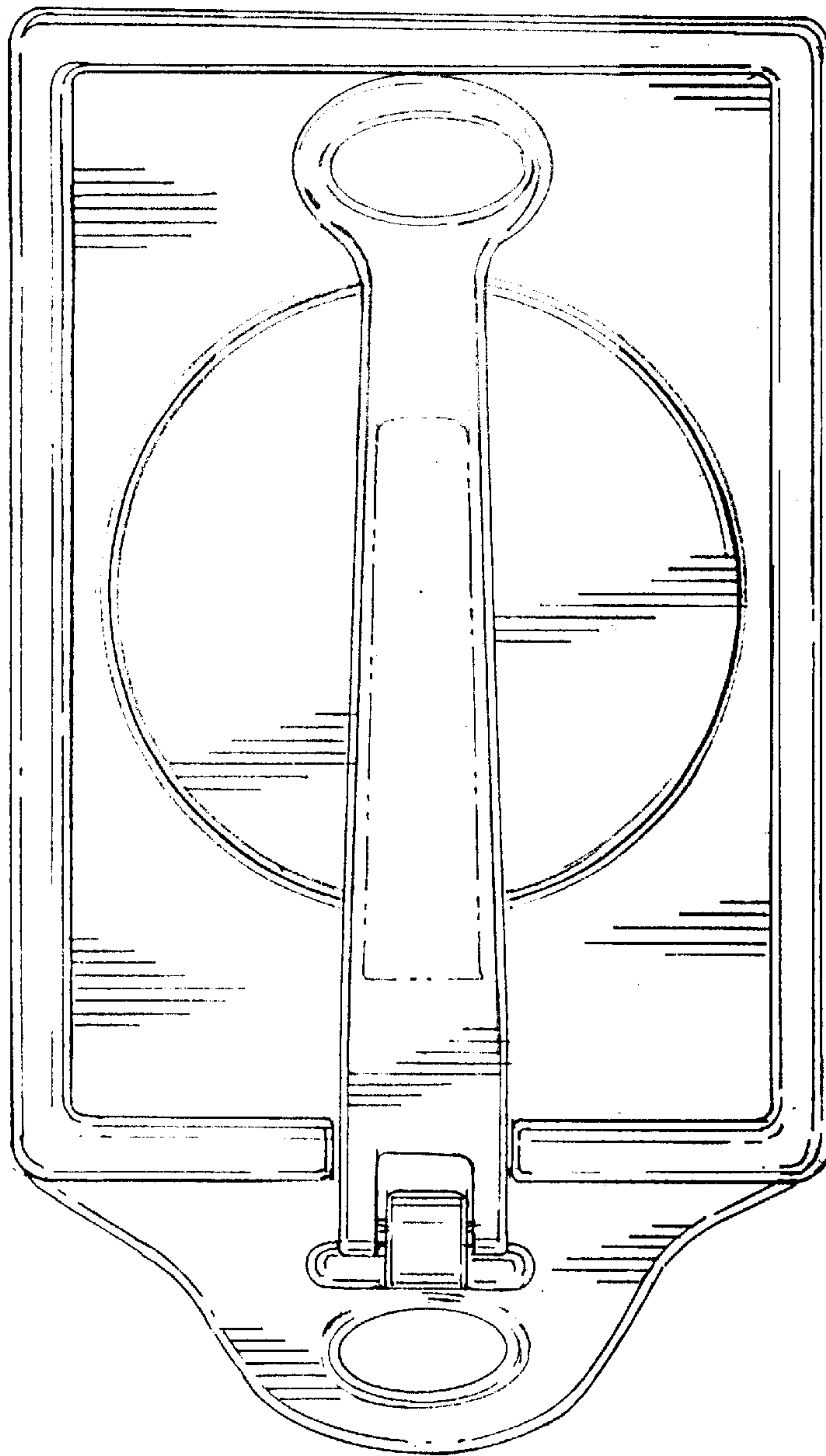
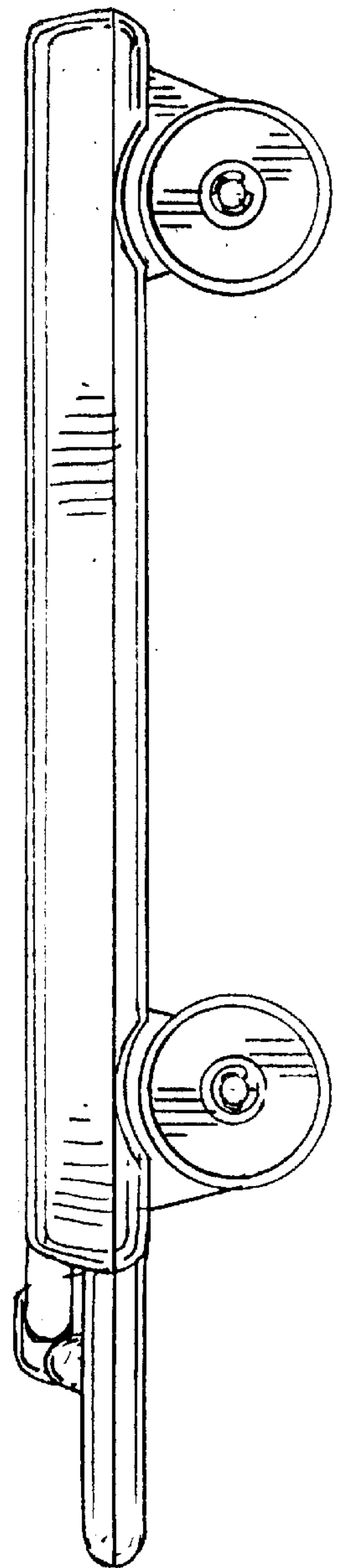


FIG. 3



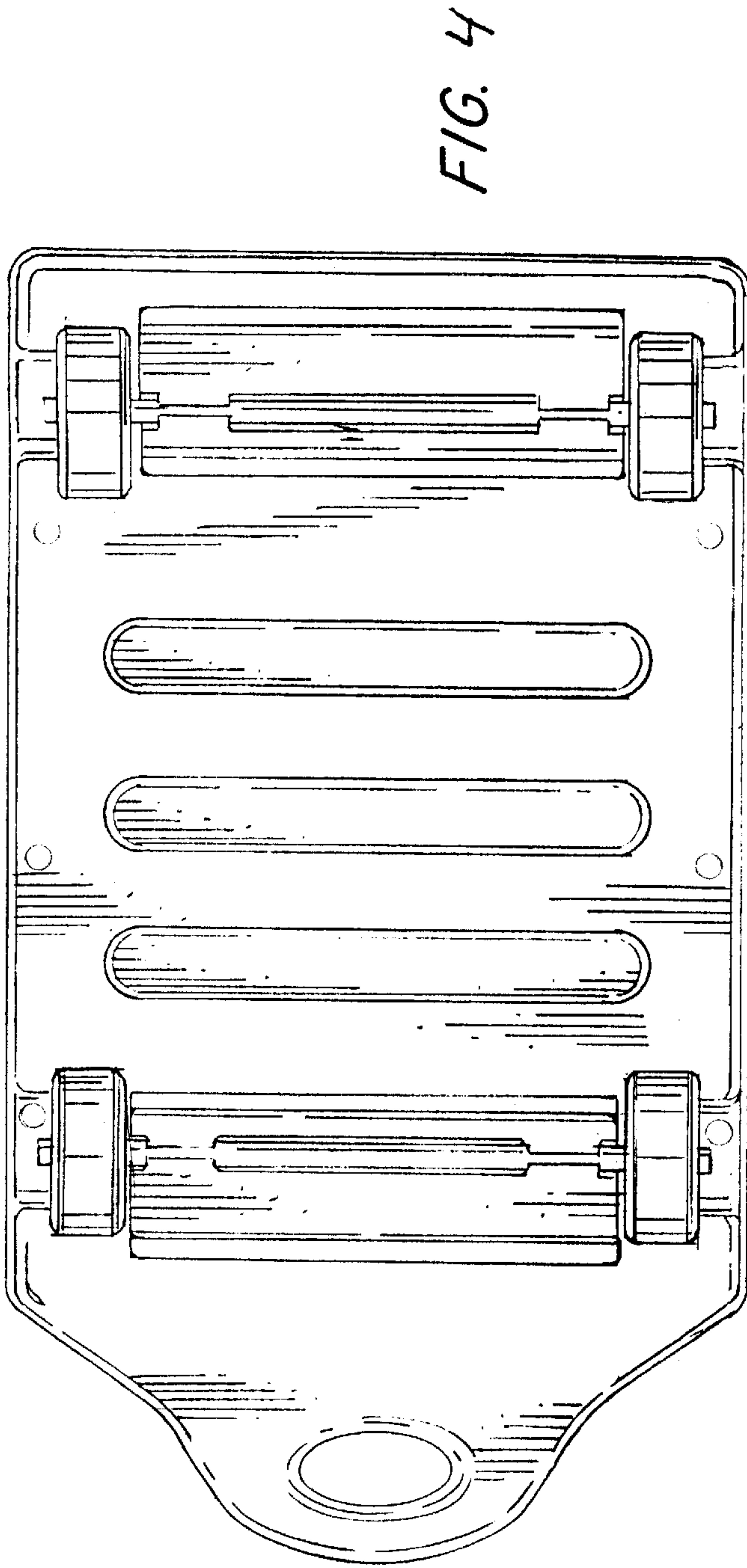


FIG. 4

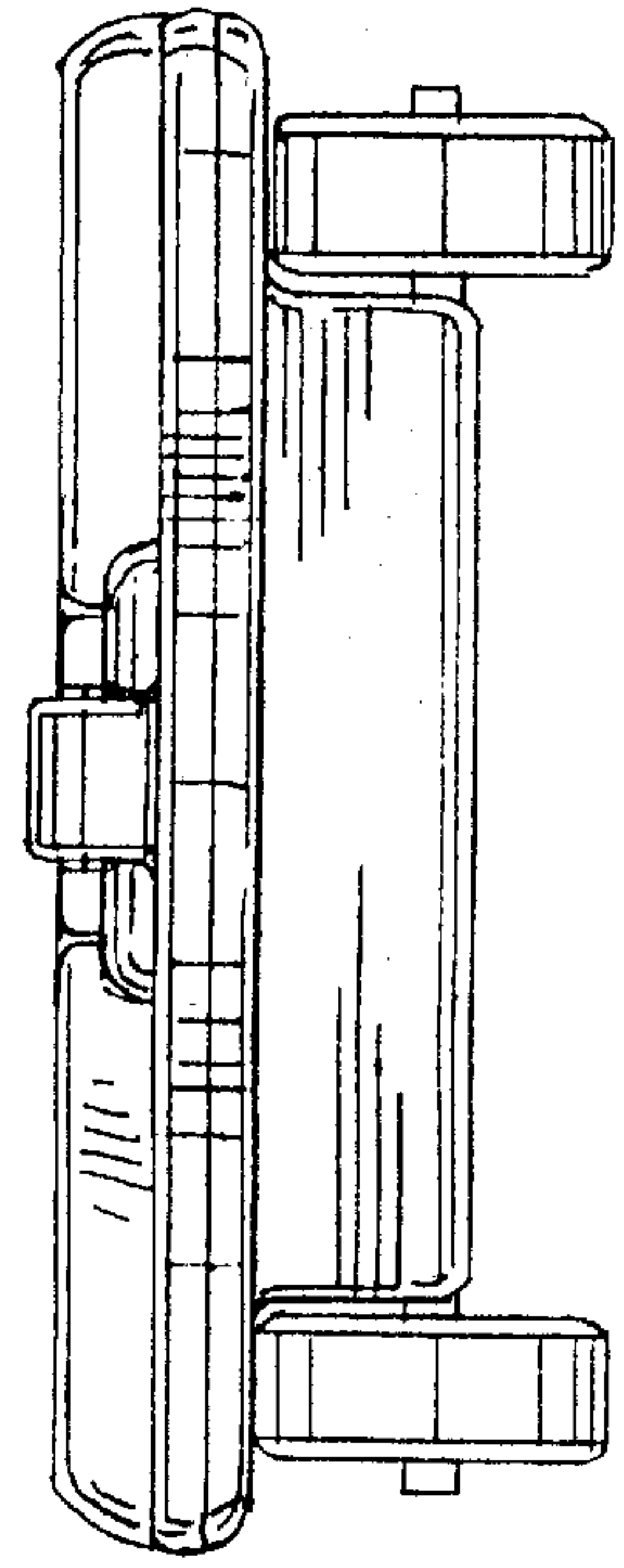


FIG. 6

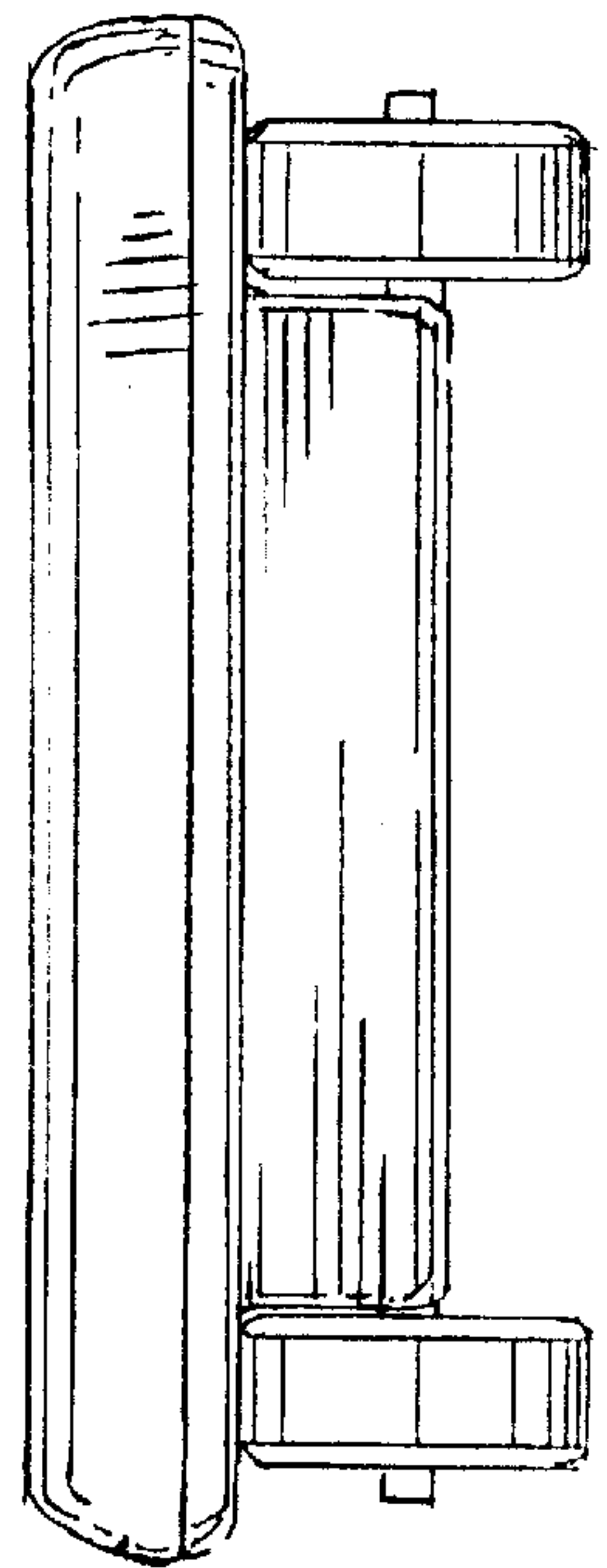


FIG. 5

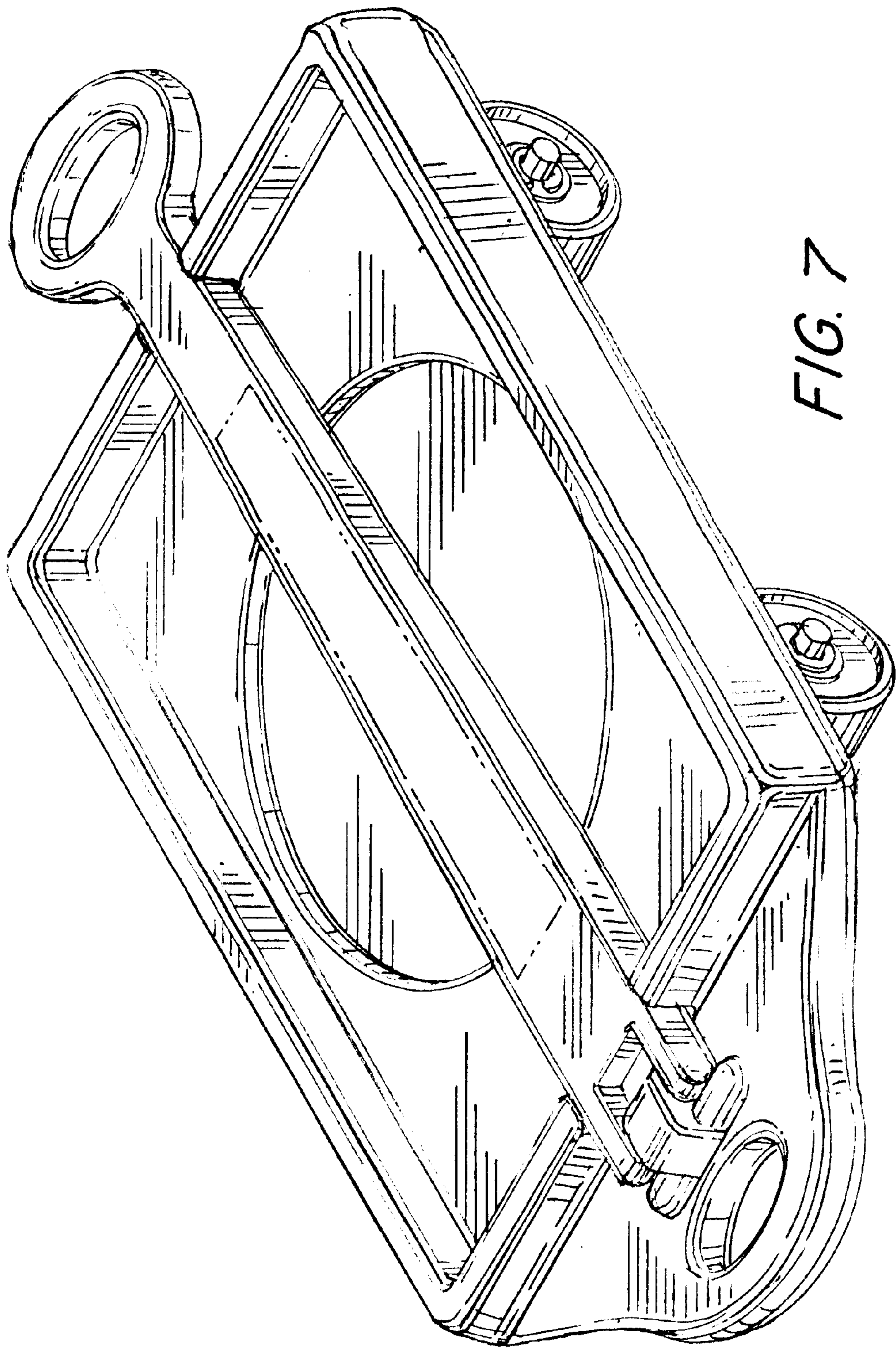
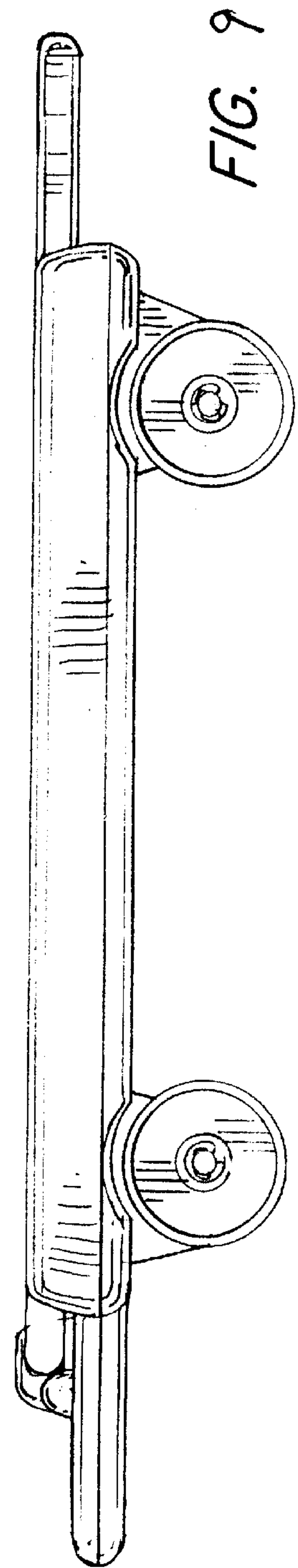
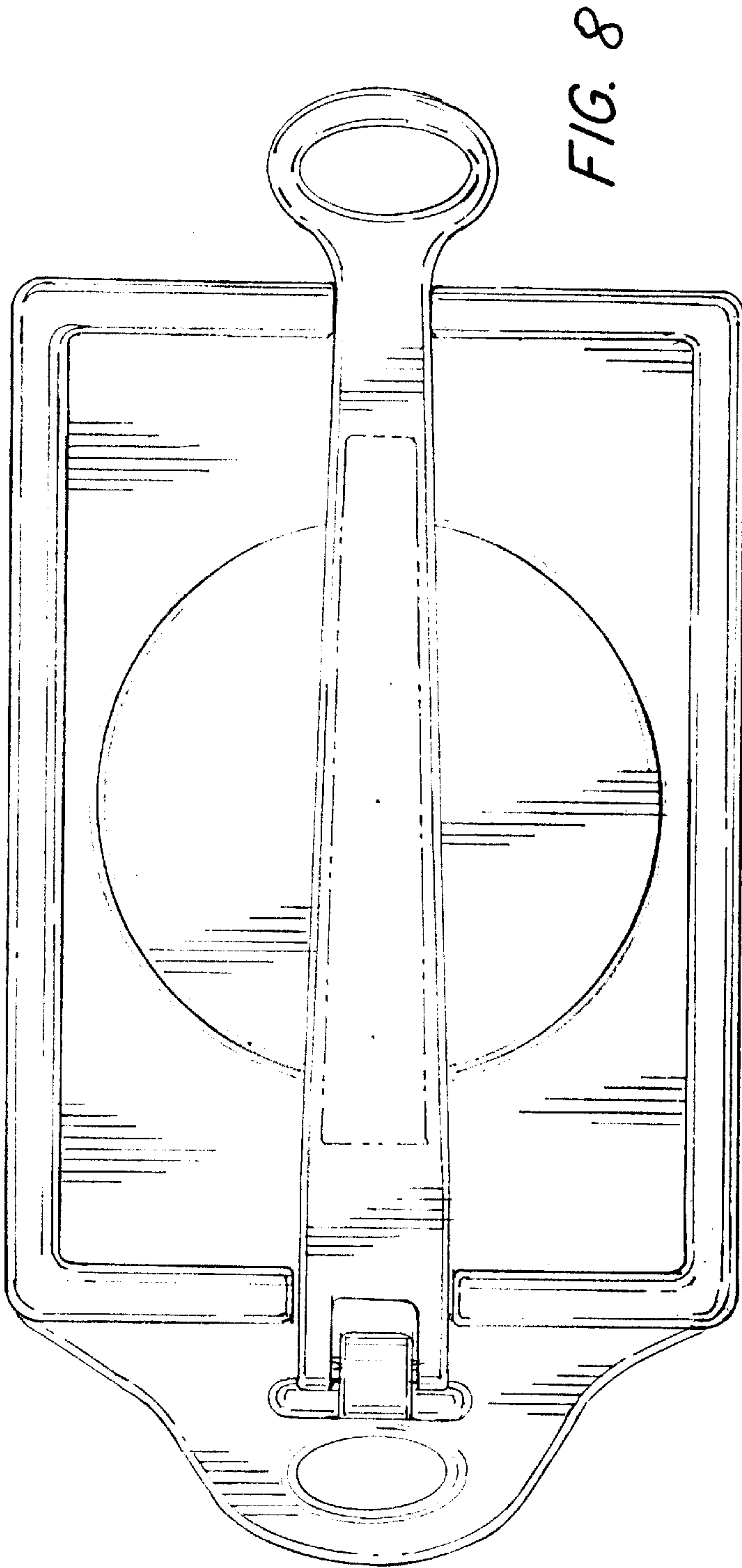


FIG. 7



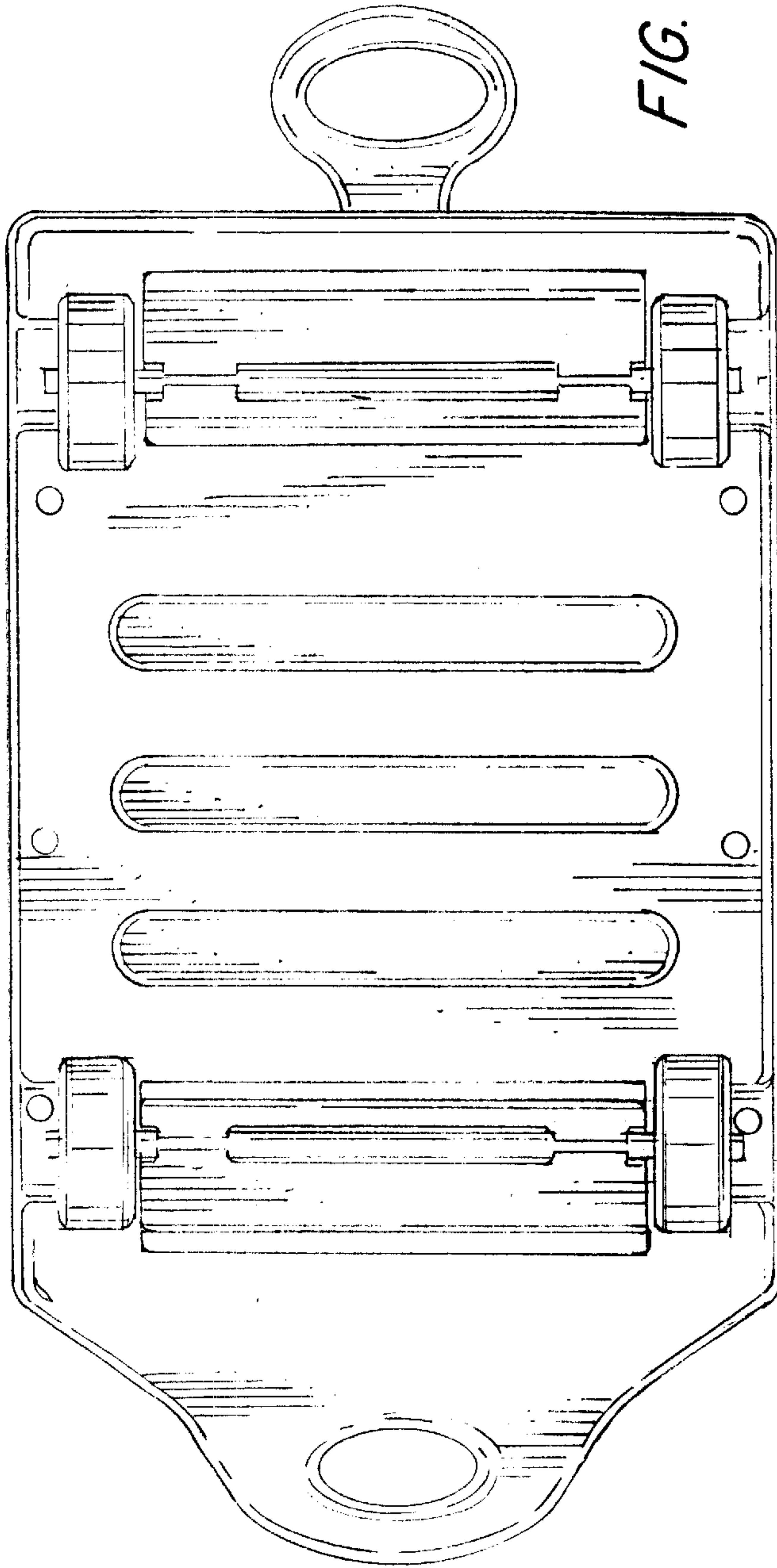


FIG. 10

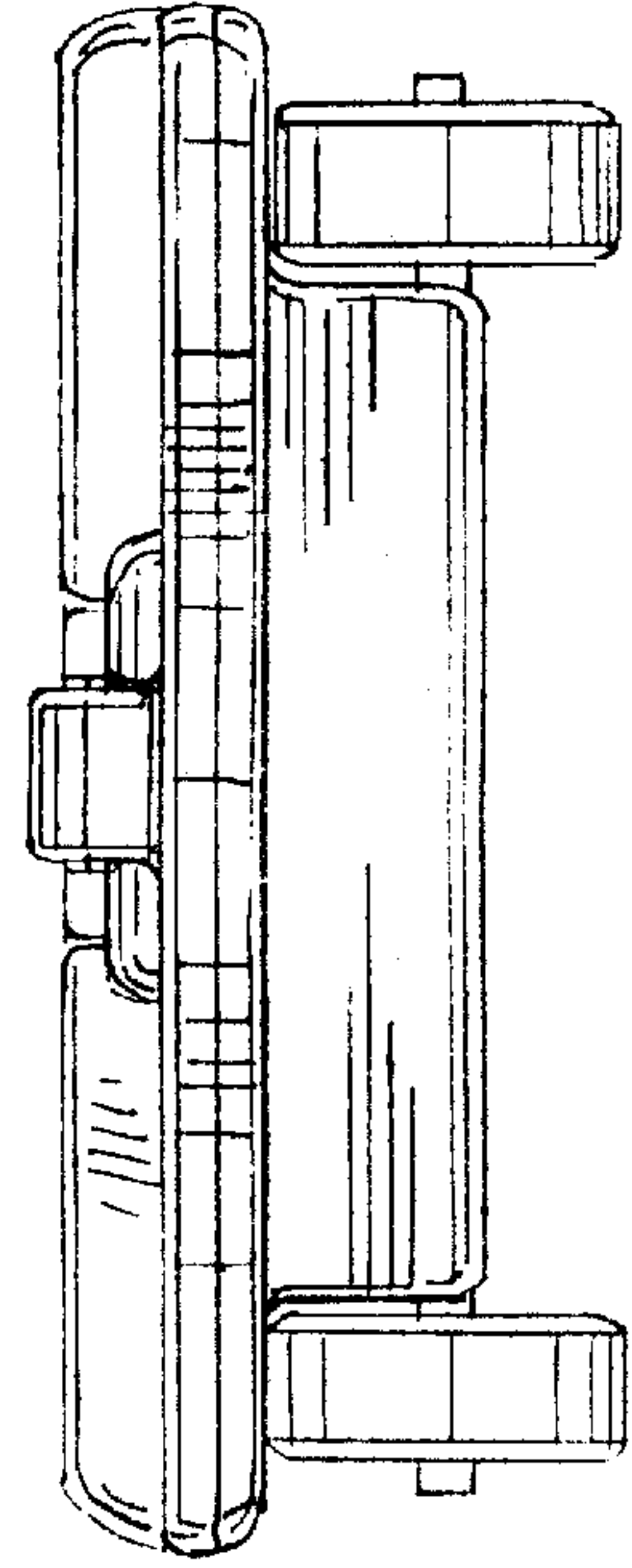


FIG. 12

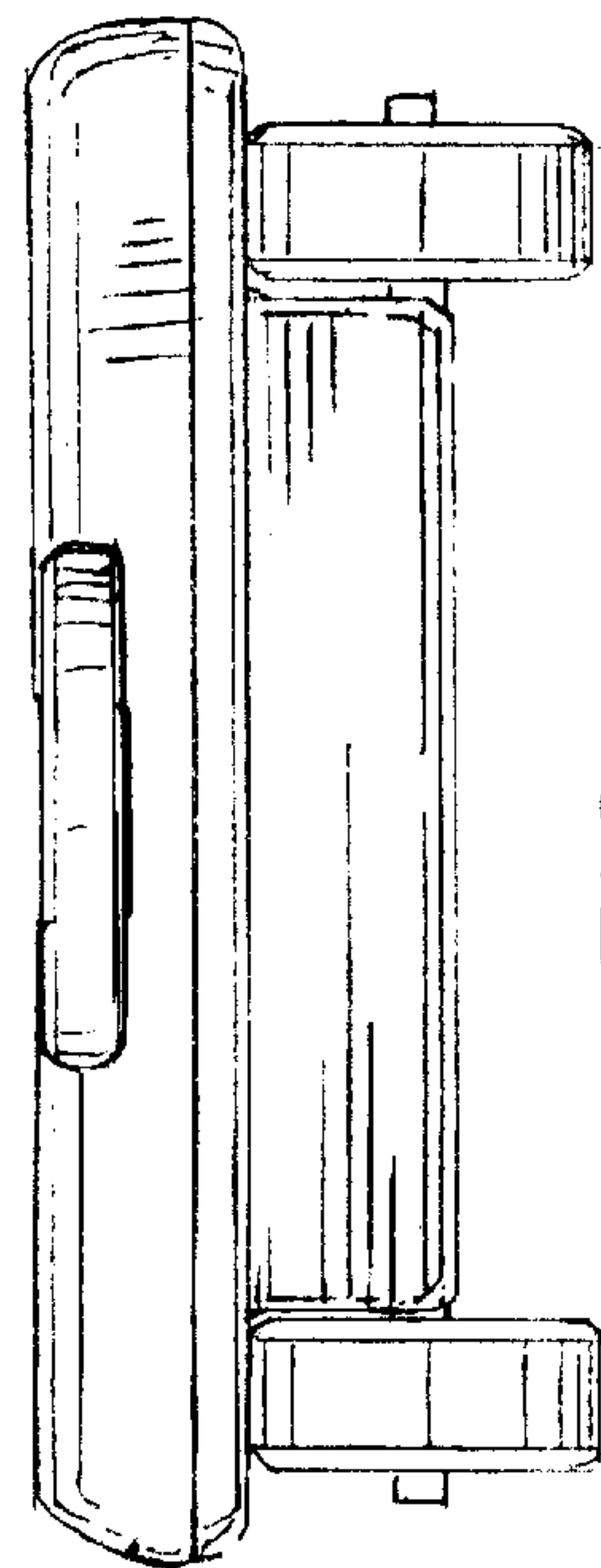


FIG. 11

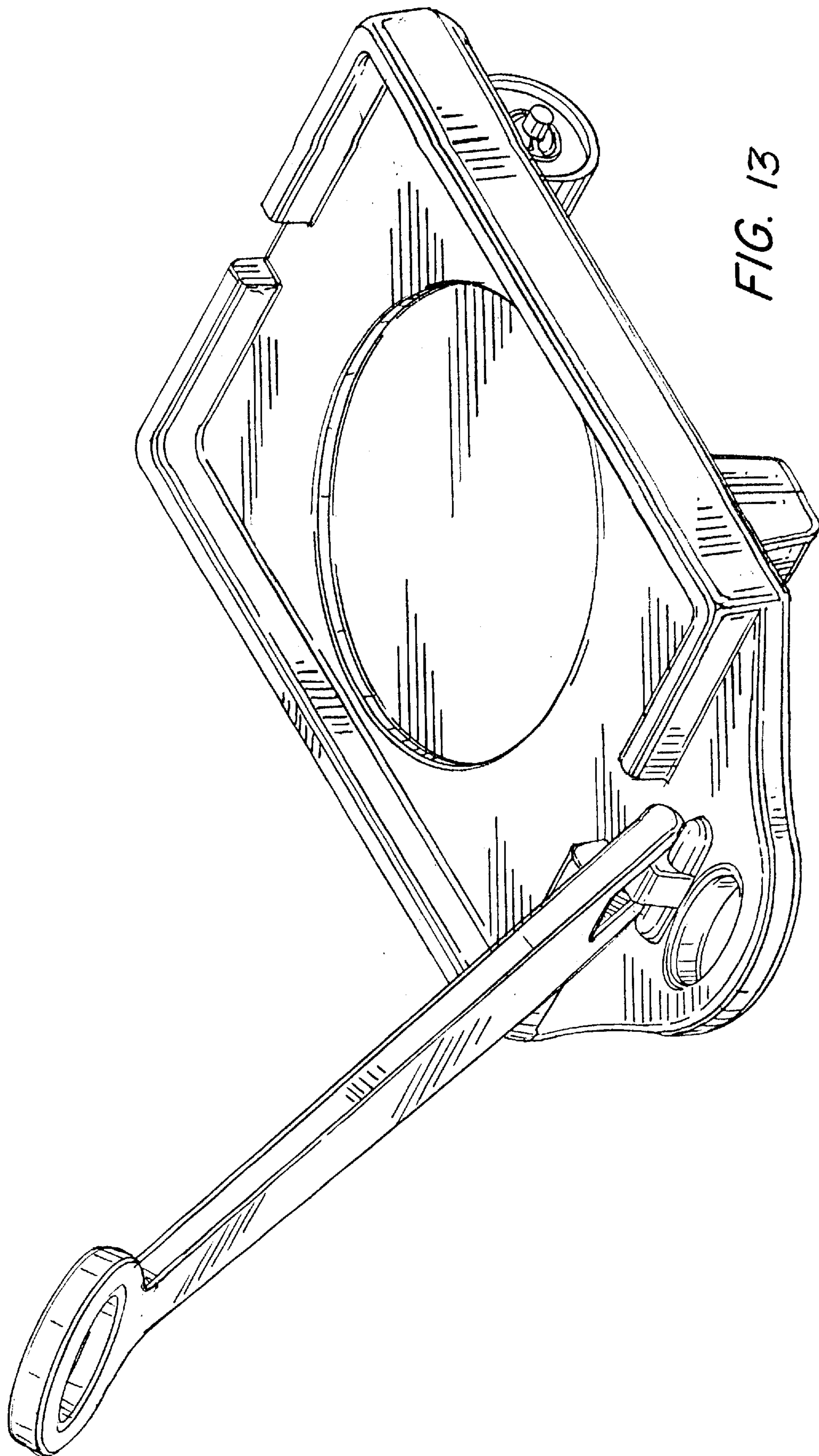


FIG. 13

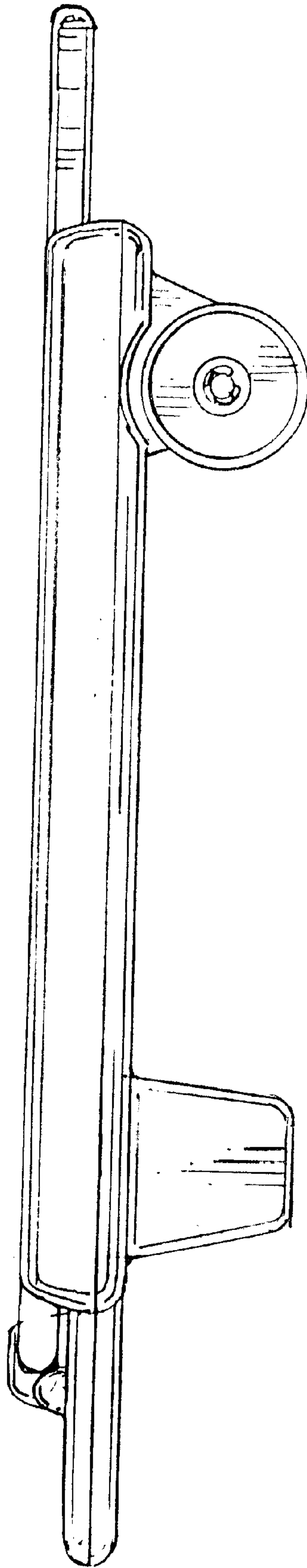
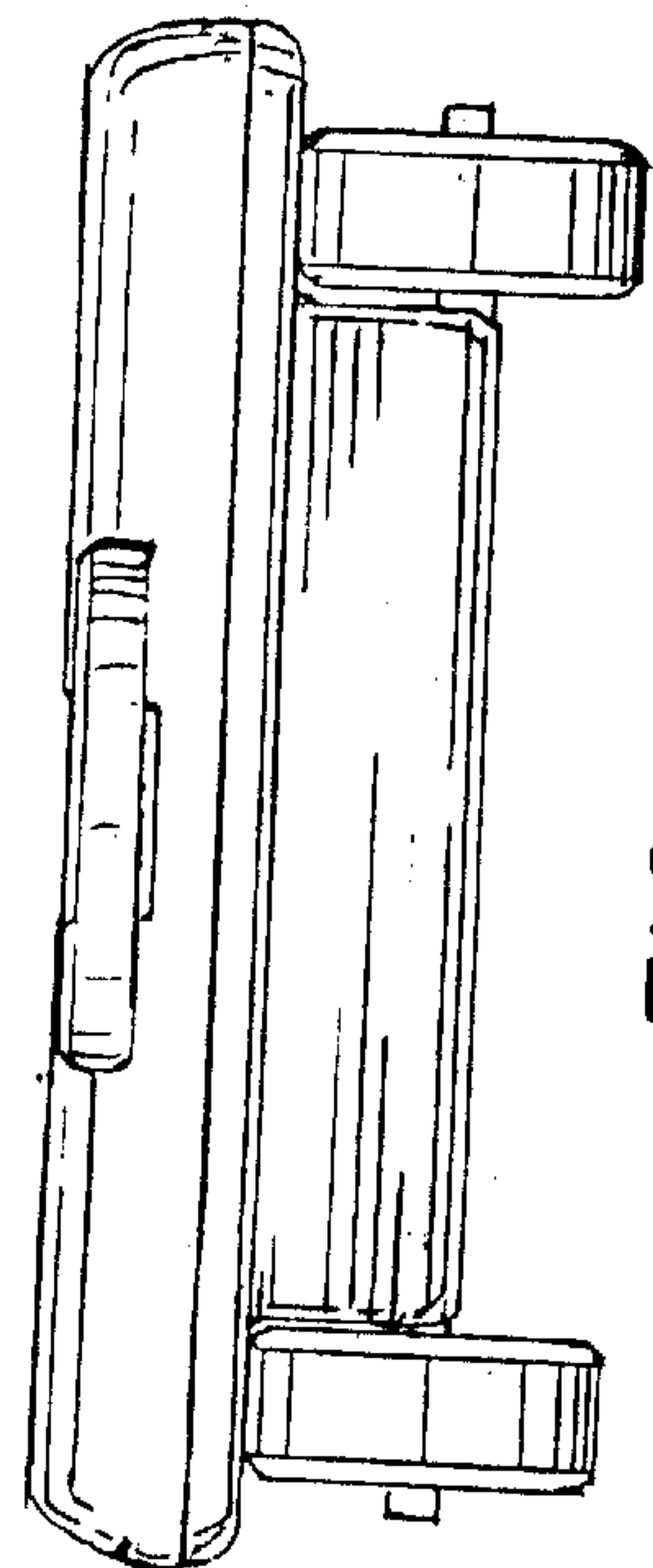
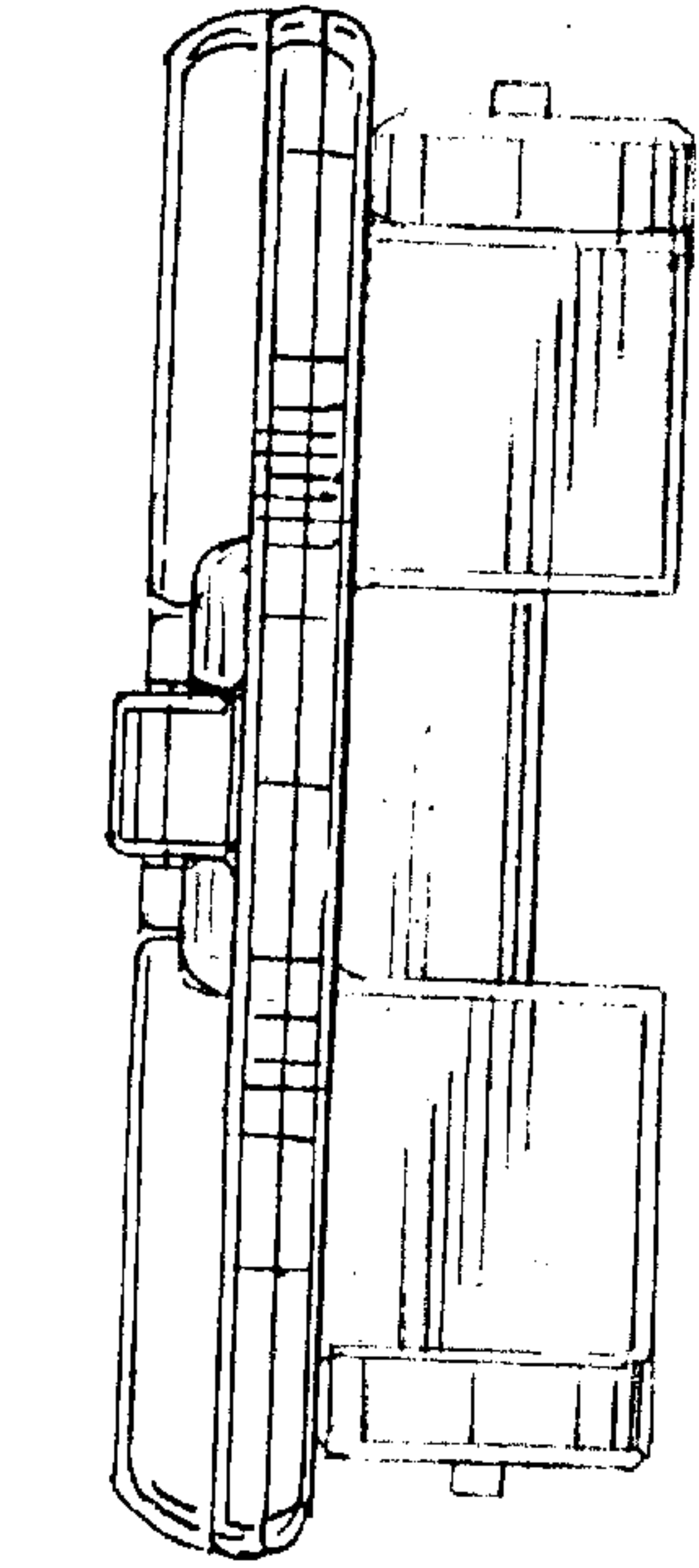
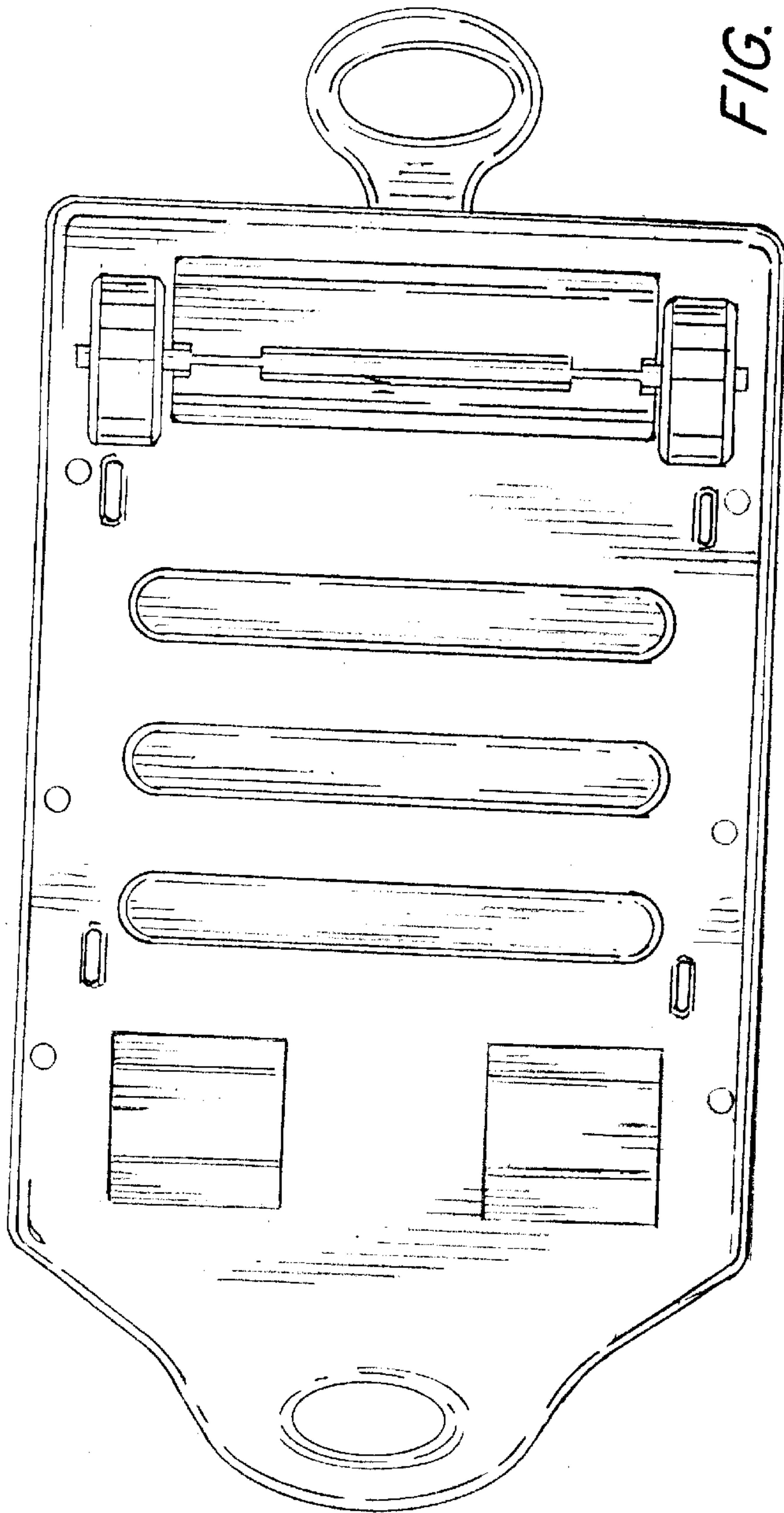


FIG. 14



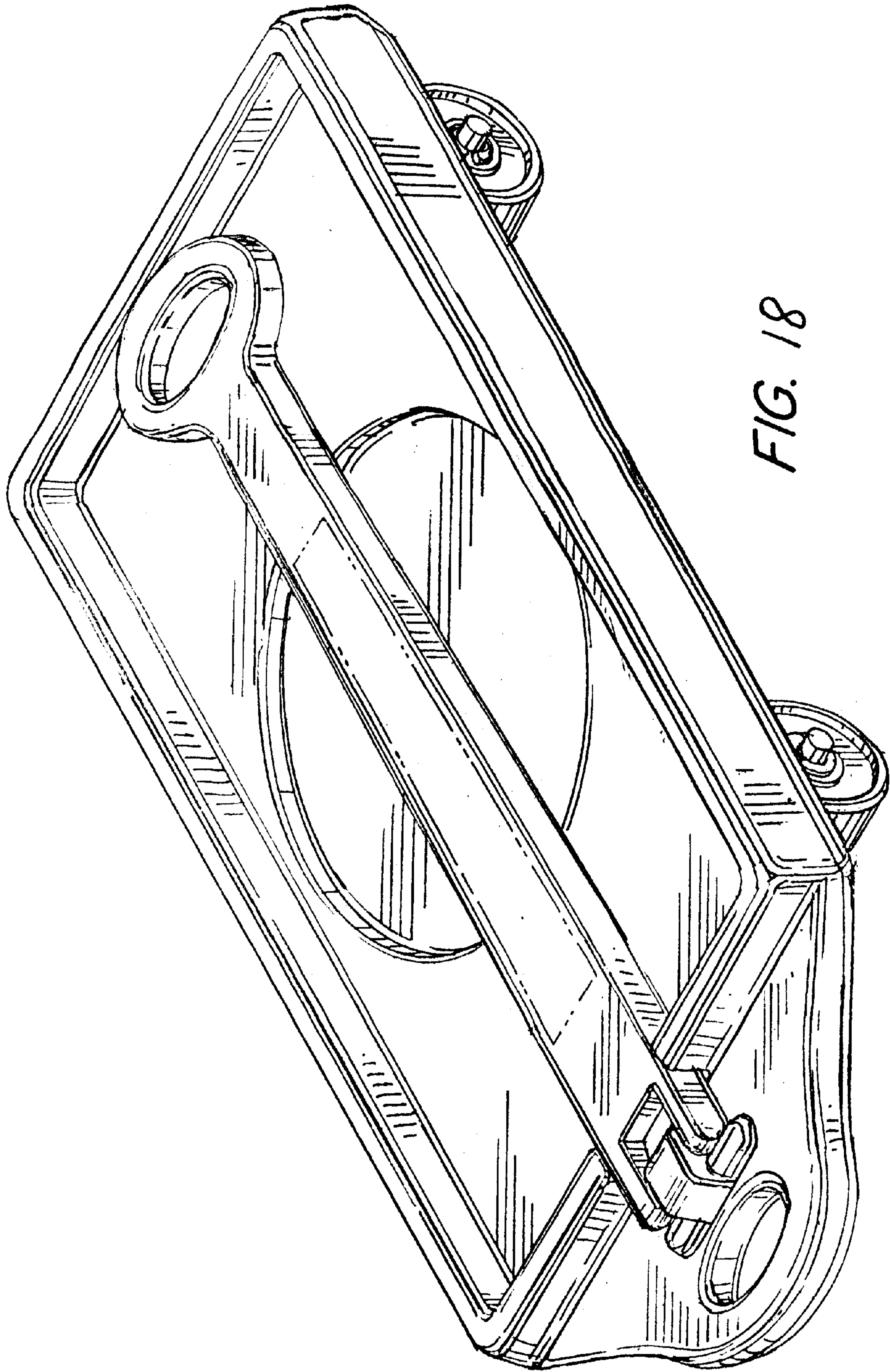


FIG. 18

FIG. 19

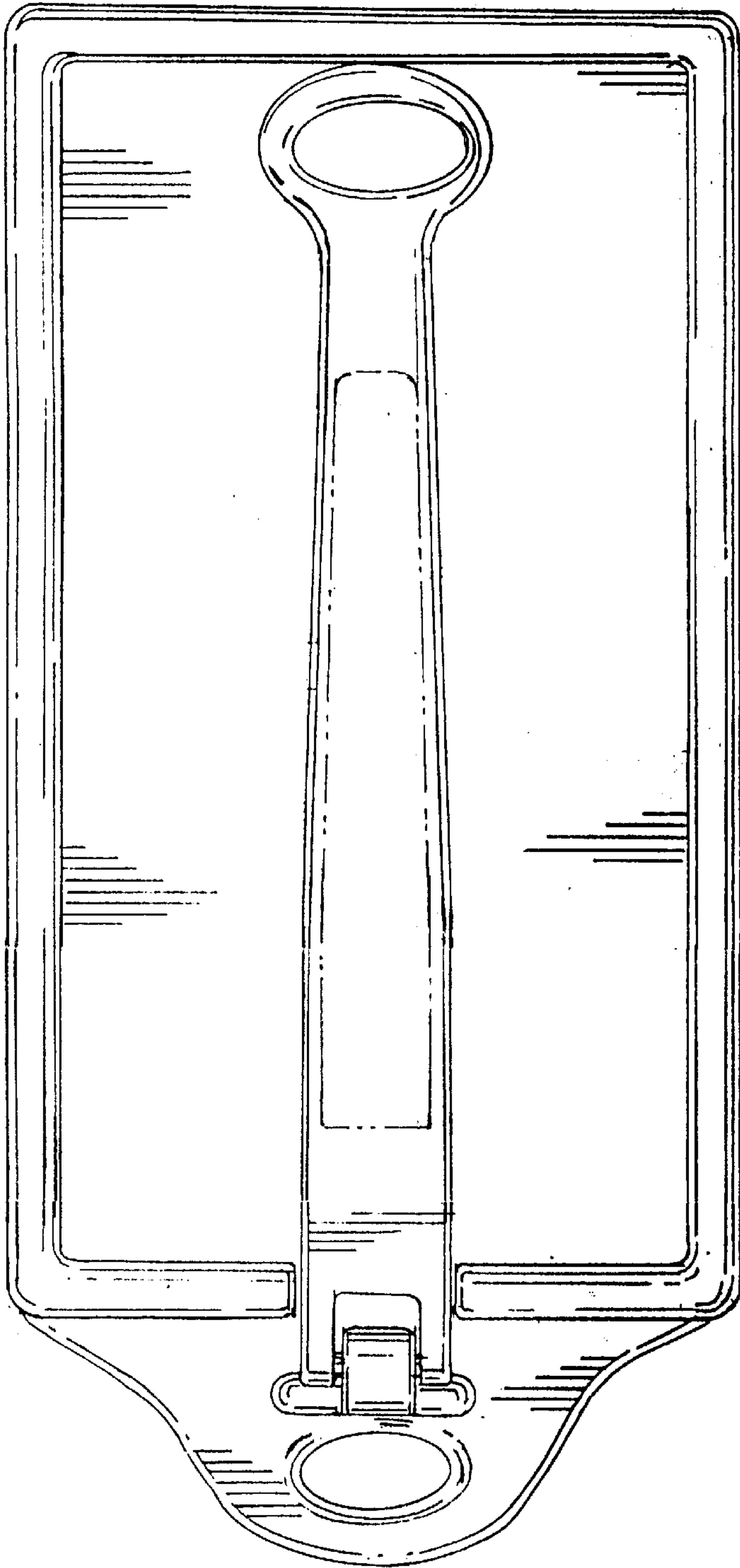
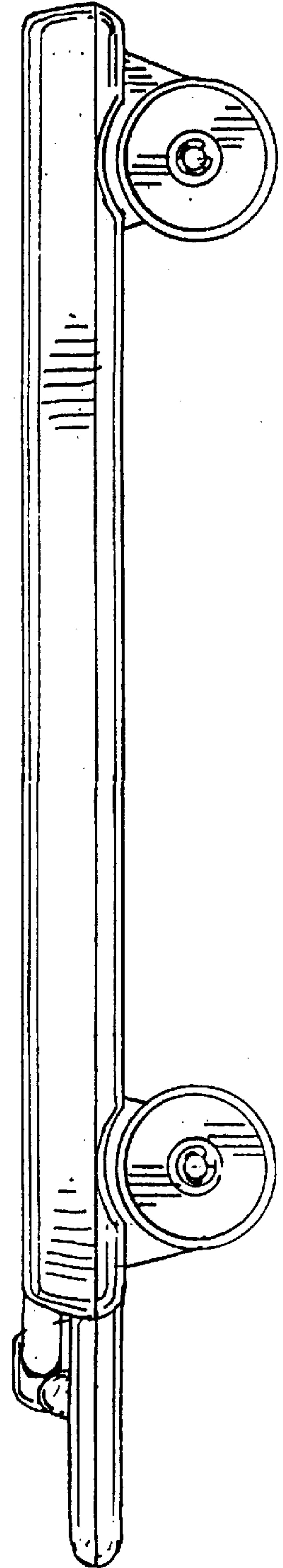


FIG. 20



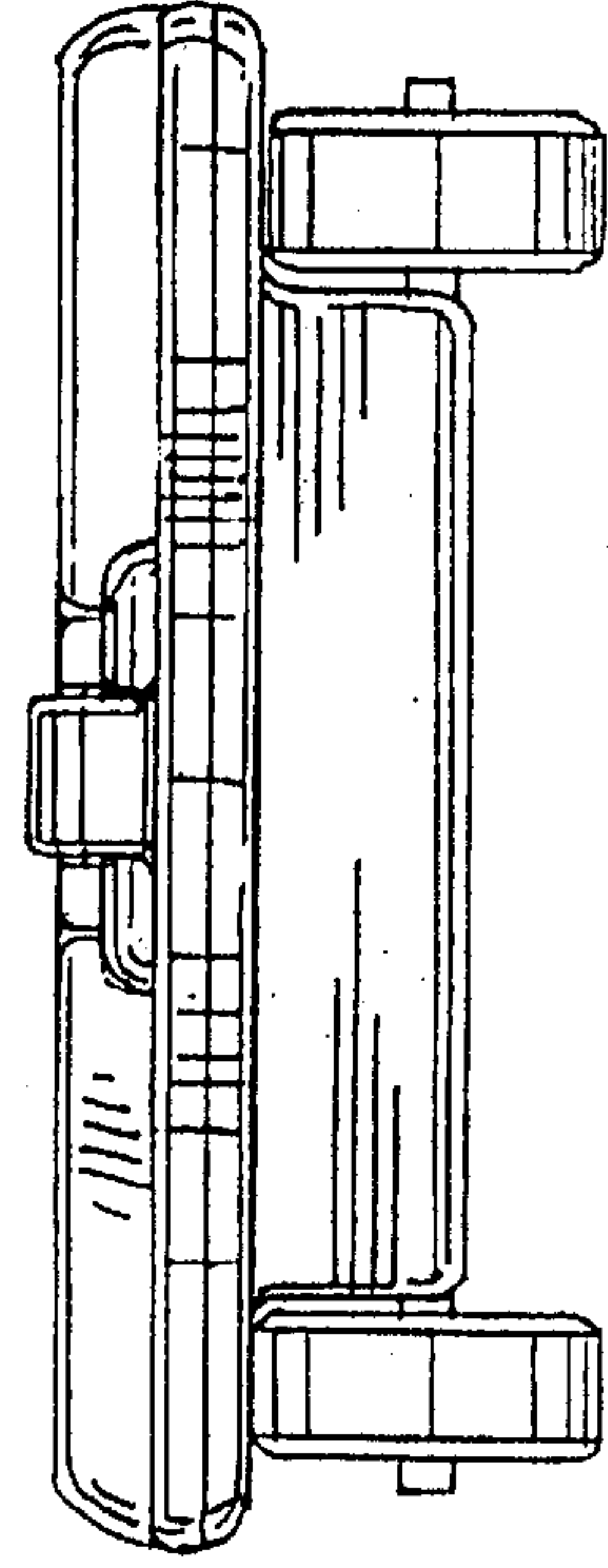
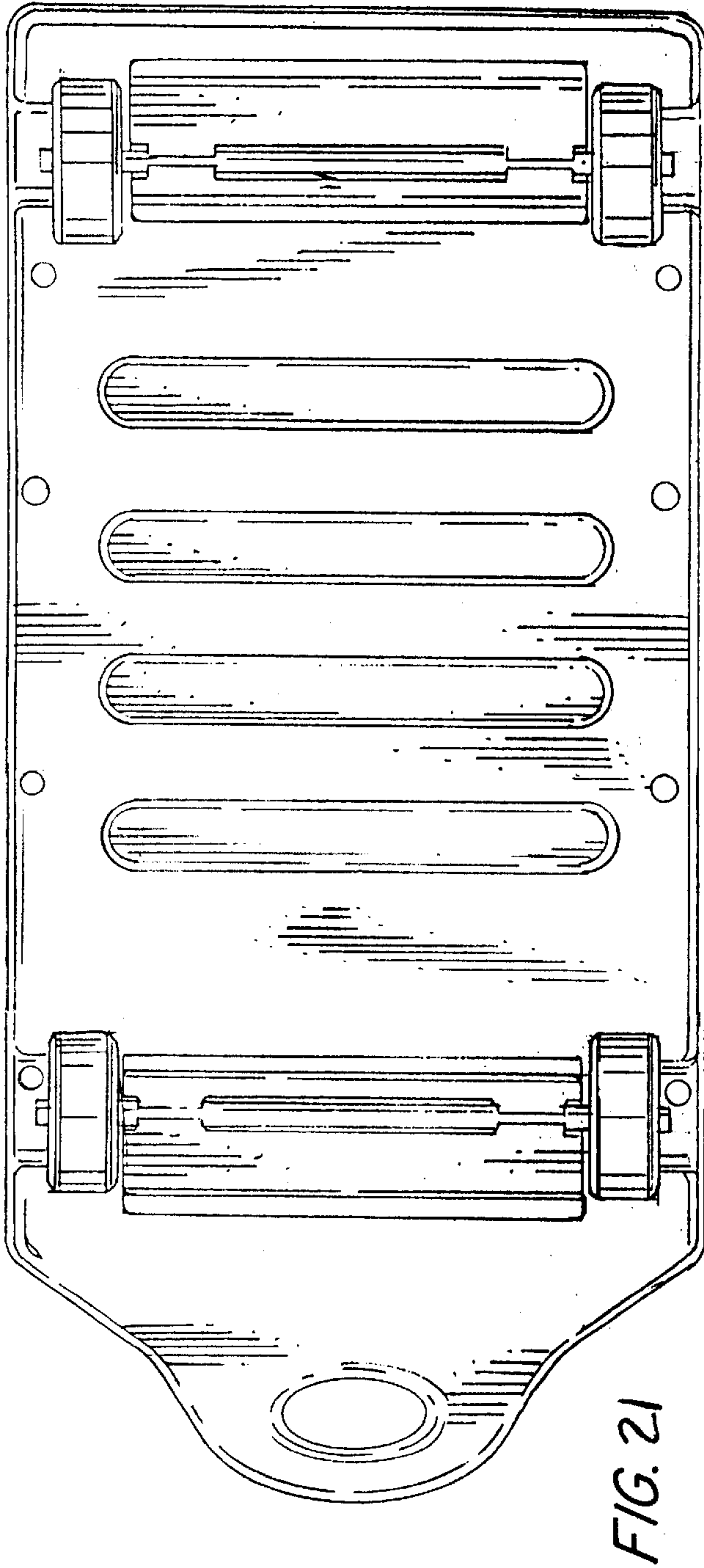


FIG. 23

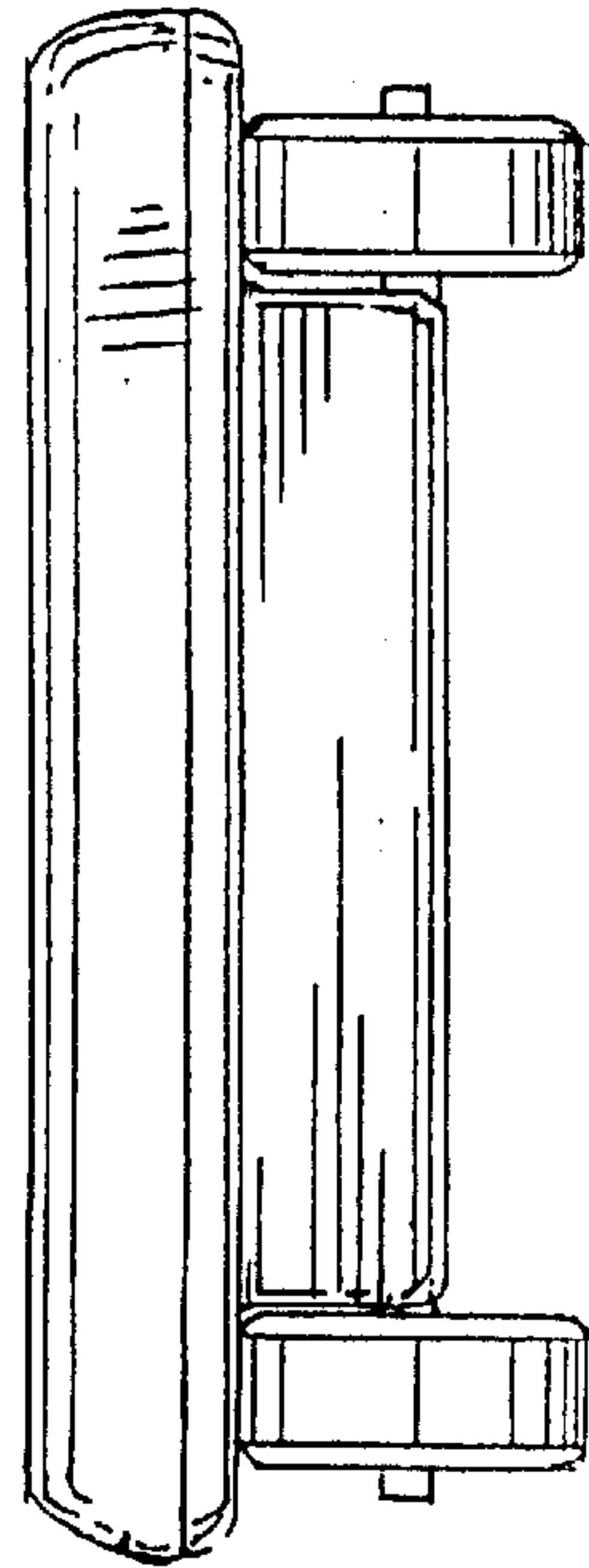


FIG. 22