



US00D448530B1

(12) **United States Design Patent**
Johnson

(10) **Patent No.: US D448,530 S**

(45) **Date of Patent: ** Sep. 25, 2001**

(54) **ELEVATED DOG BOWL WITH HANDLE**

(76) Inventor: **Linda Joy Johnson**, 1415 11th Ave.,
San Francisco, CA (US) 94122

(**) Term: **14 Years**

(21) Appl. No.: **29/125,522**

(22) Filed: **Jun. 26, 2000**

(51) **LOC (7) Cl. 30-03**

(52) **U.S. Cl. D30/129**

(58) **Field of Search** D30/128-129,
D30/121, 122, 130-133; 15/260, 262; 119/71,
51.13, 51.11, 52.01, 51.01, 60, 61, 77,
53.01, 51.05; 220/8, 758, 529, 694-696,
773, 774, 702, 904; D7/538-548, 602,
629, 612, 613; D22/136; D32/54, 53, 53.1

(56) **References Cited**

U.S. PATENT DOCUMENTS

D. 302,754	*	8/1989	Fuller	D30/129
D. 386,860	*	11/1997	Breen	D32/53
D. 401,475	*	11/1998	Ritchey	D7/543
D. 419,735	*	1/2000	Del Real	D32/53
2,620,006	*	12/1952	Borron-Zabala	220/758

* cited by examiner

Primary Examiner—Pamela Burgess

(57) **CLAIM**

The ornamental design for an elevated dog bowl with handle, as shown and described.

DESCRIPTION

FIG. 1 is a top rear perspective view of an elevated dog bowl with handle showing my new design;

FIG. 2 is a sectional view thereof, taken along line 2—2 of FIG. 6;

FIG. 3 is a sectional view thereof, taken along line 3—3 of FIG. 6;

FIG. 4 is a front elevational view thereof;

FIG. 5 is a rear elevational view thereof;

FIG. 6 is a left side elevational view thereof, the right side being a mirror image;

FIG. 7 is a top plan view thereof;

FIG. 8 is a top rear perspective view of a second embodiment of an elevated dog bowl with handle showing my new design;

FIG. 9 is a sectional view thereof, taken along line 9—9 of FIG. 11;

FIG. 10 is a rear elevational view thereof;

FIG. 11 is a left side elevational view thereof, the right side being a mirror image;

FIG. 12 is a top plan view thereof;

FIG. 13 is a top rear perspective view of a third embodiment of an elevated dog bowl with handle showing my new design;

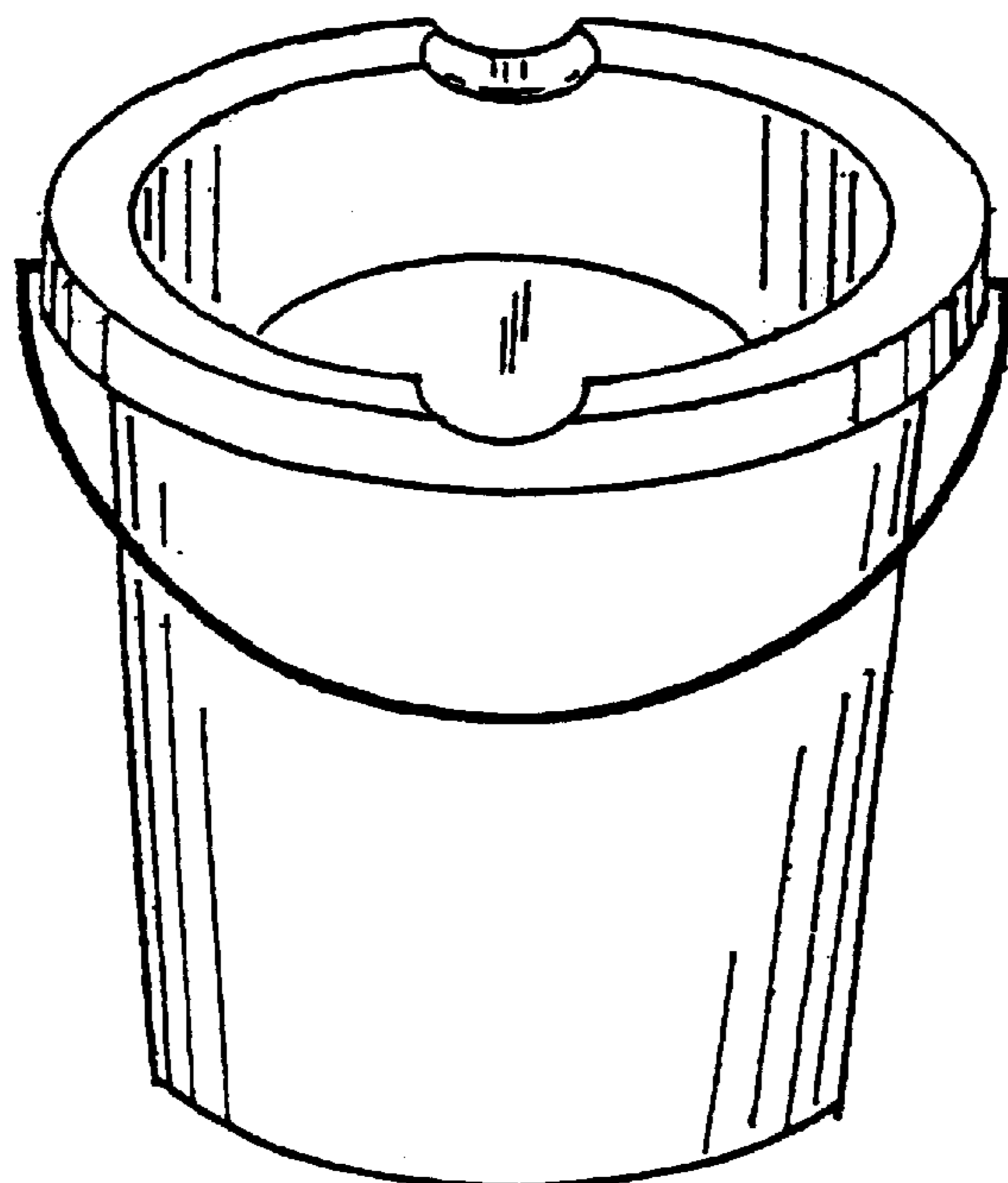
FIG. 14 is a sectional view thereof, taken along line 14—14 of FIG. 16;

FIG. 15 is a front elevational view thereof;

FIG. 16 is a left side elevational view thereof, the right side being a mirror image; and,

FIG. 17 is a top plan view thereof.

1 Claim, 9 Drawing Sheets



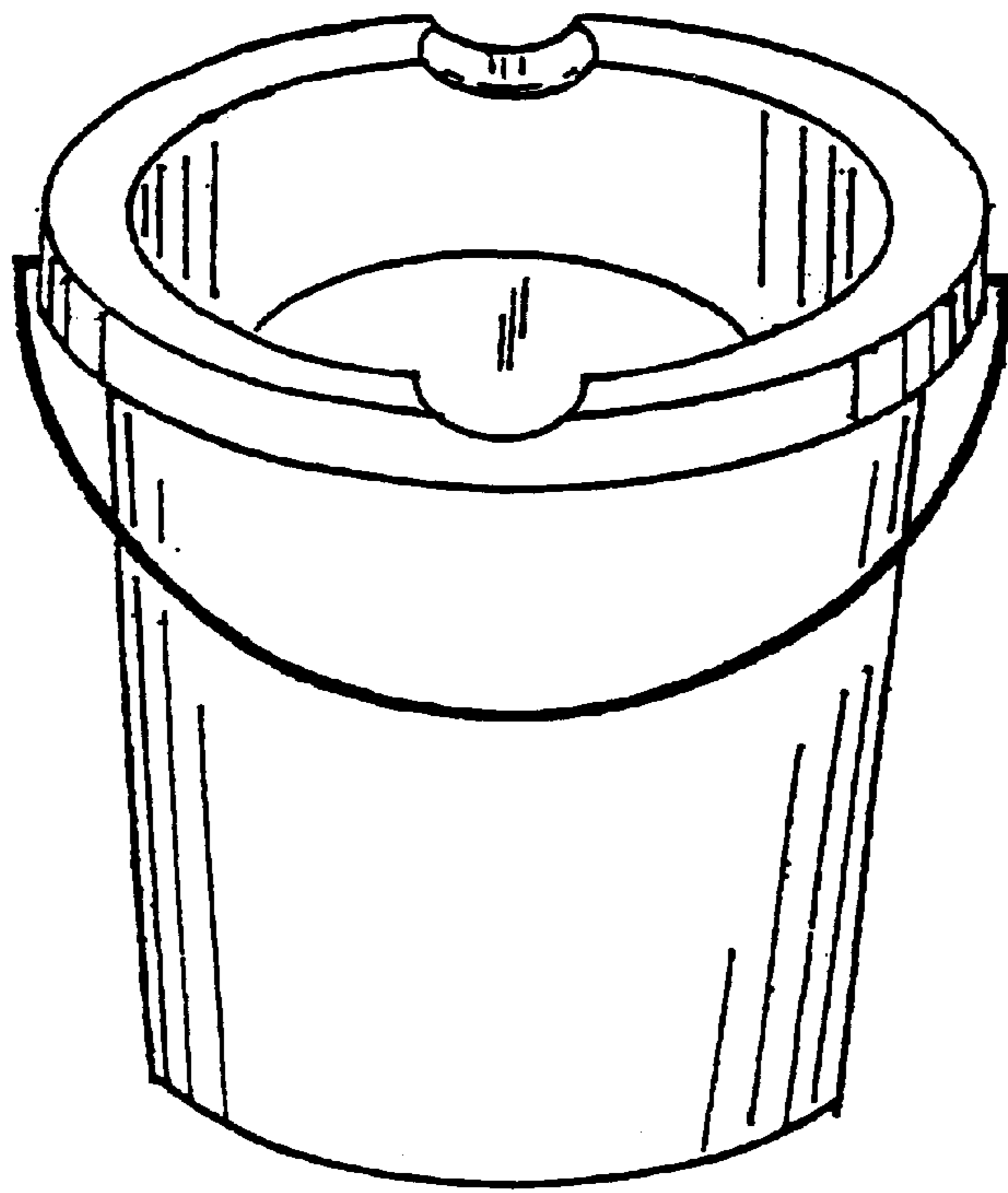


Fig. 1

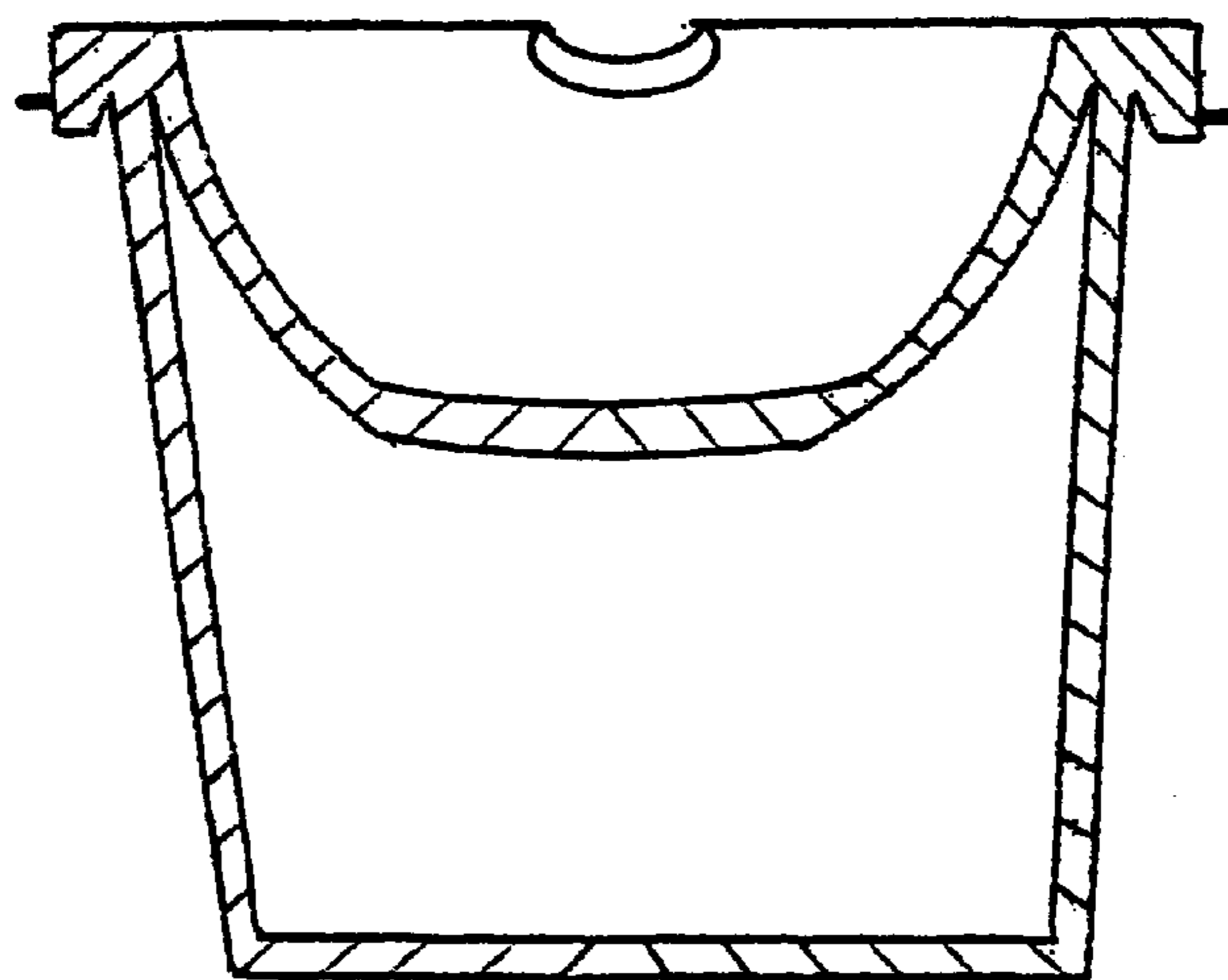


Fig. 2

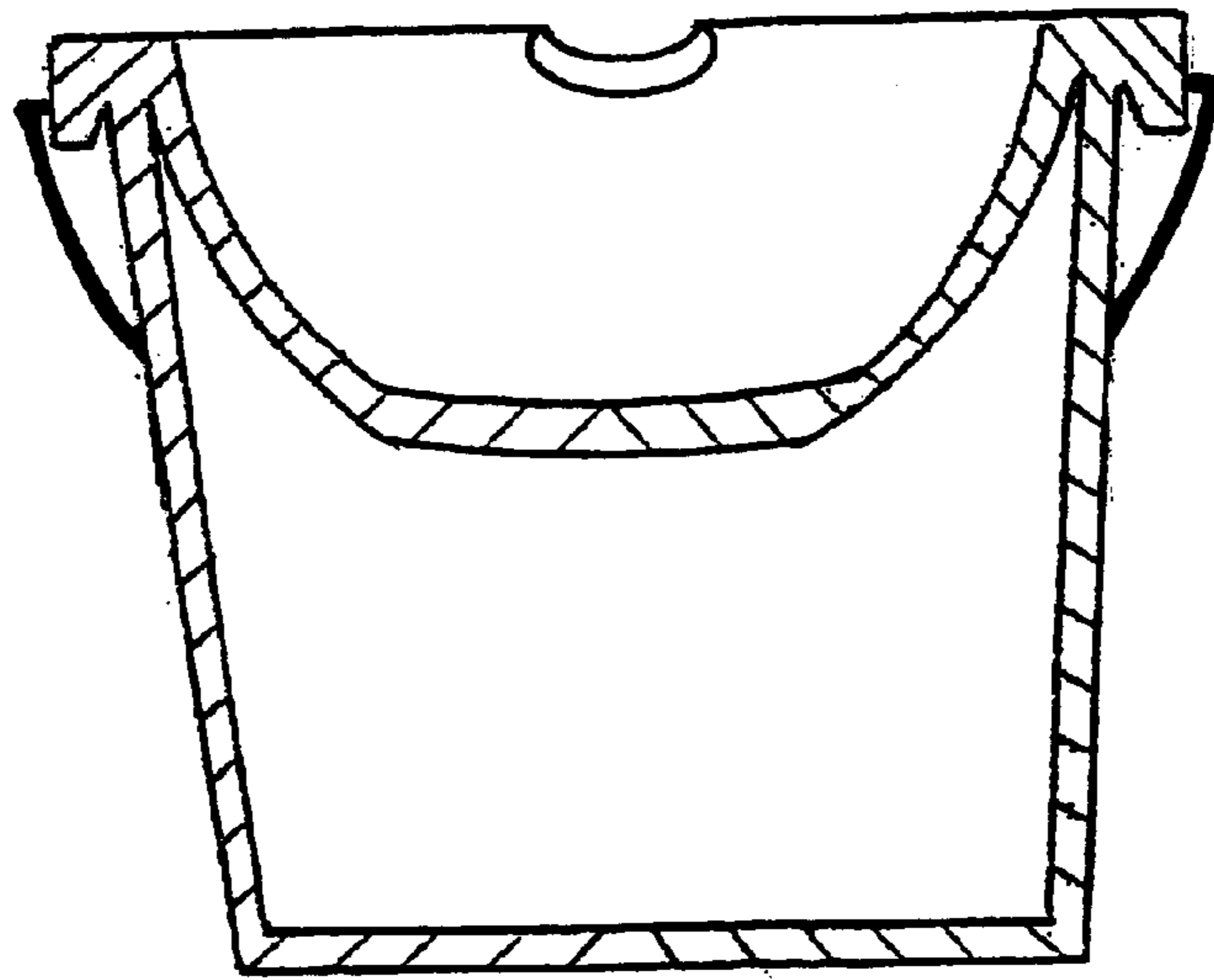


Fig. 3

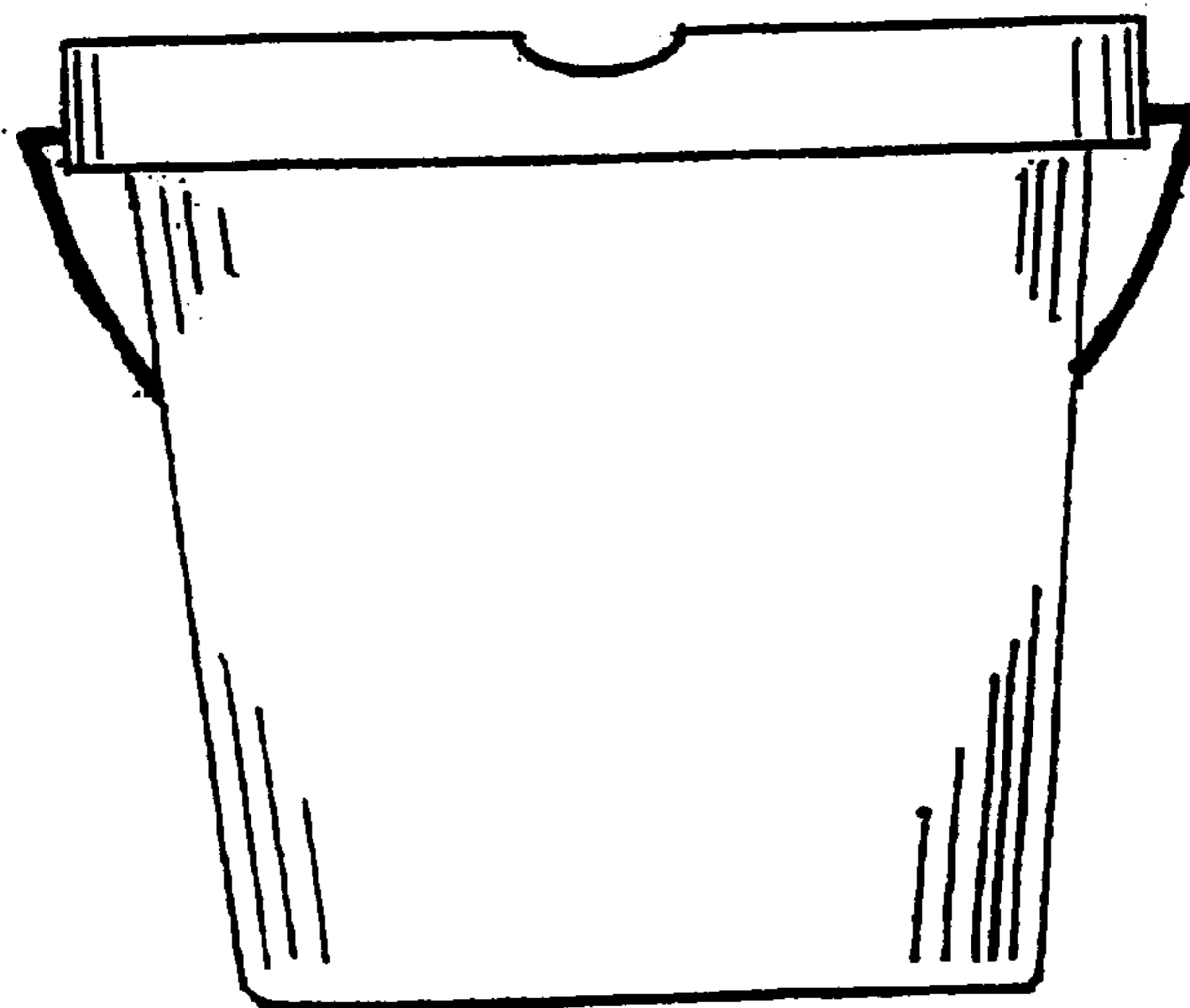


Fig. 4

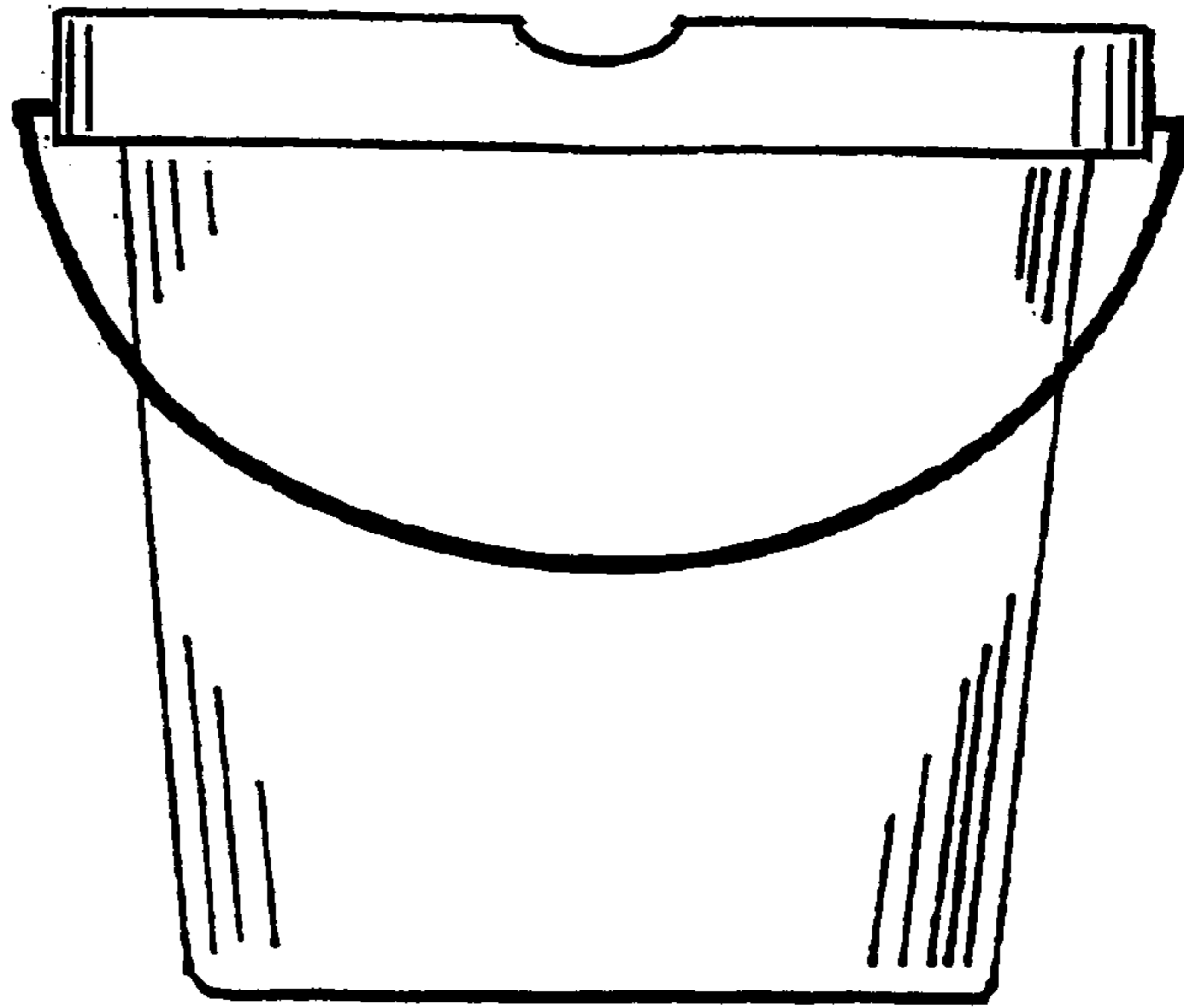


Fig. 5

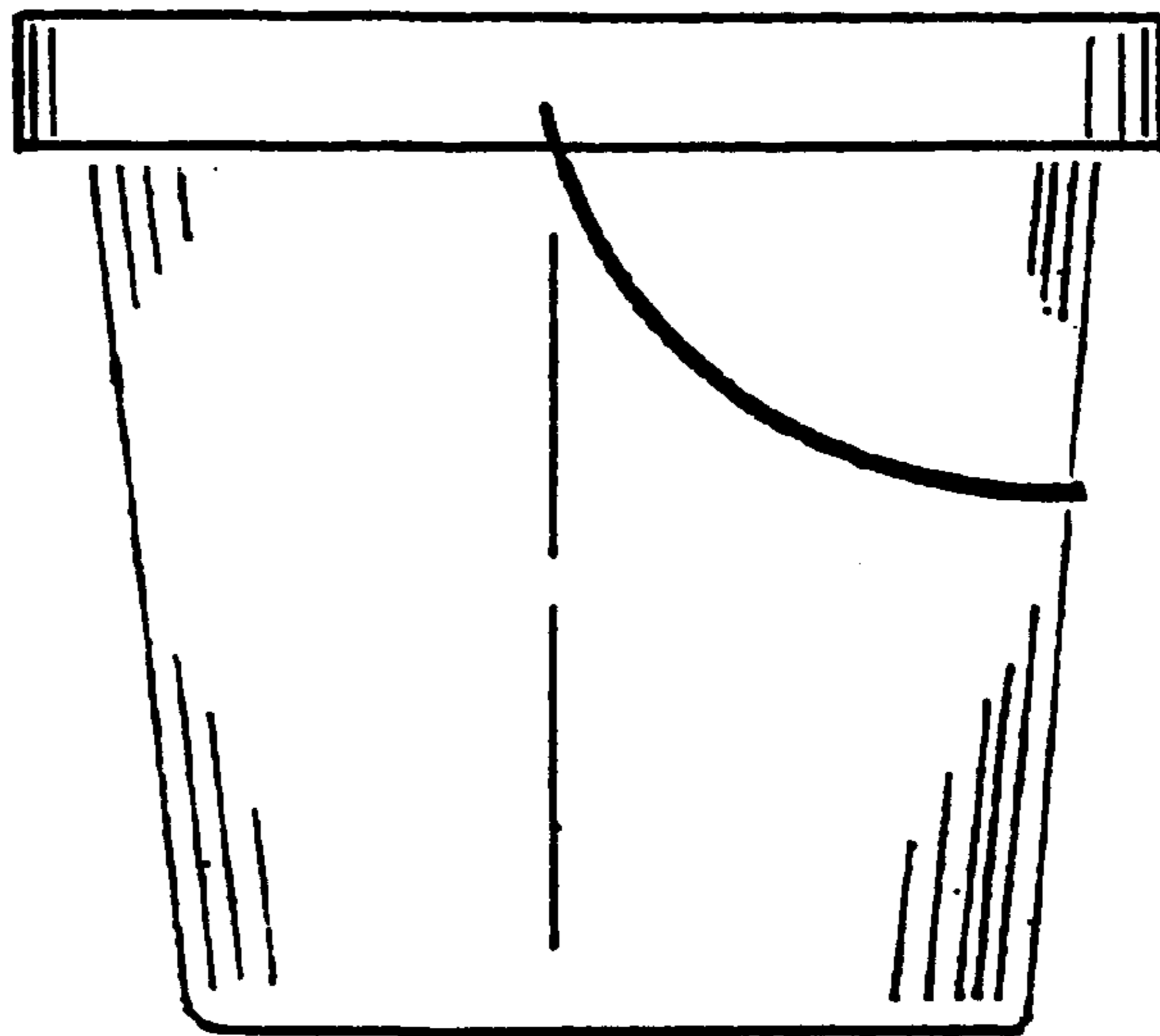
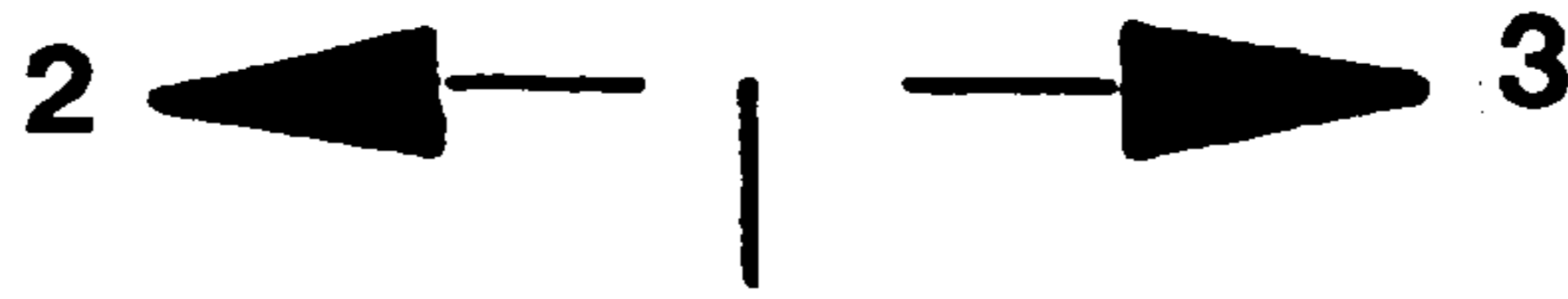


Fig. 6

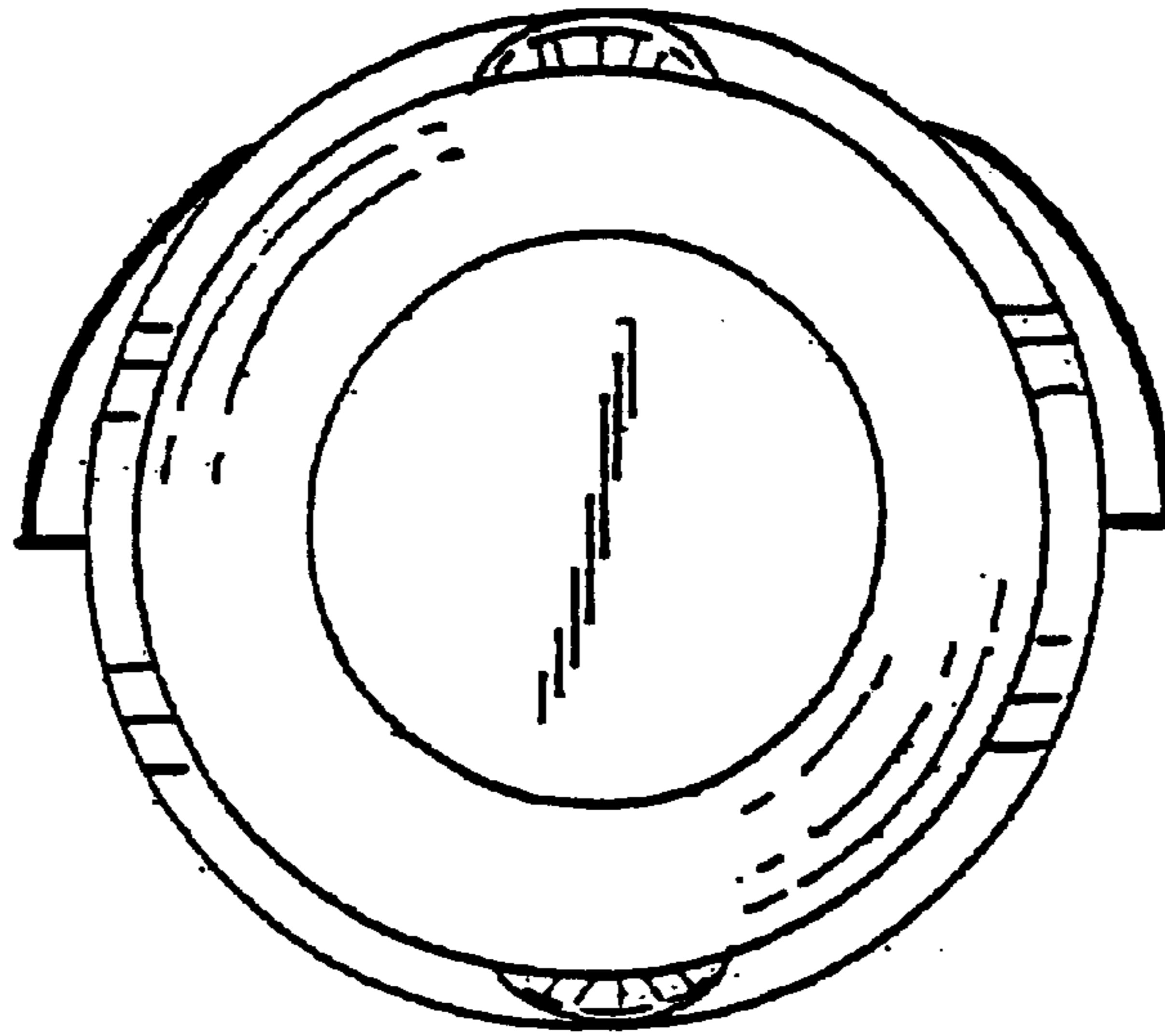


Fig. 7

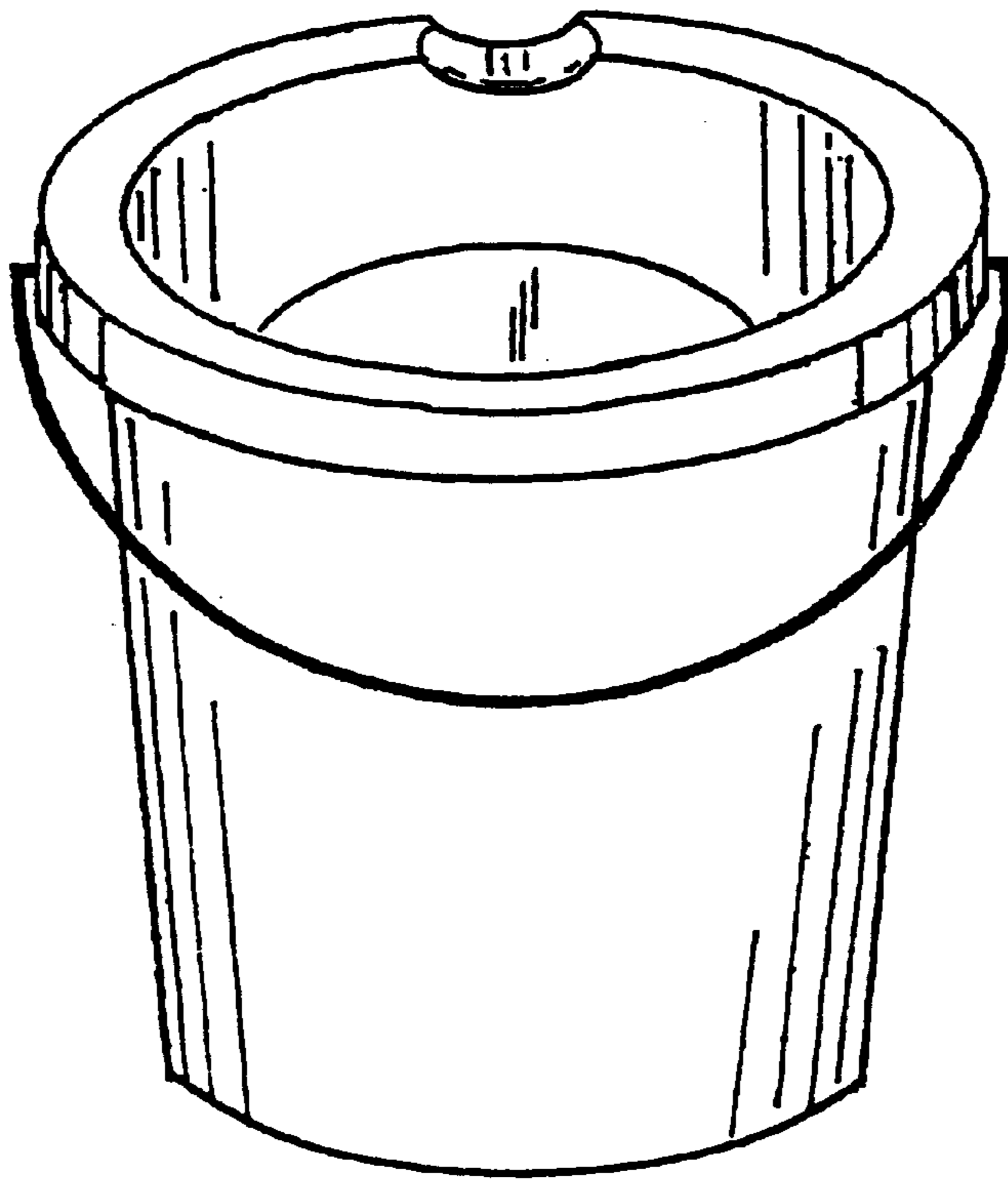


Fig. 8

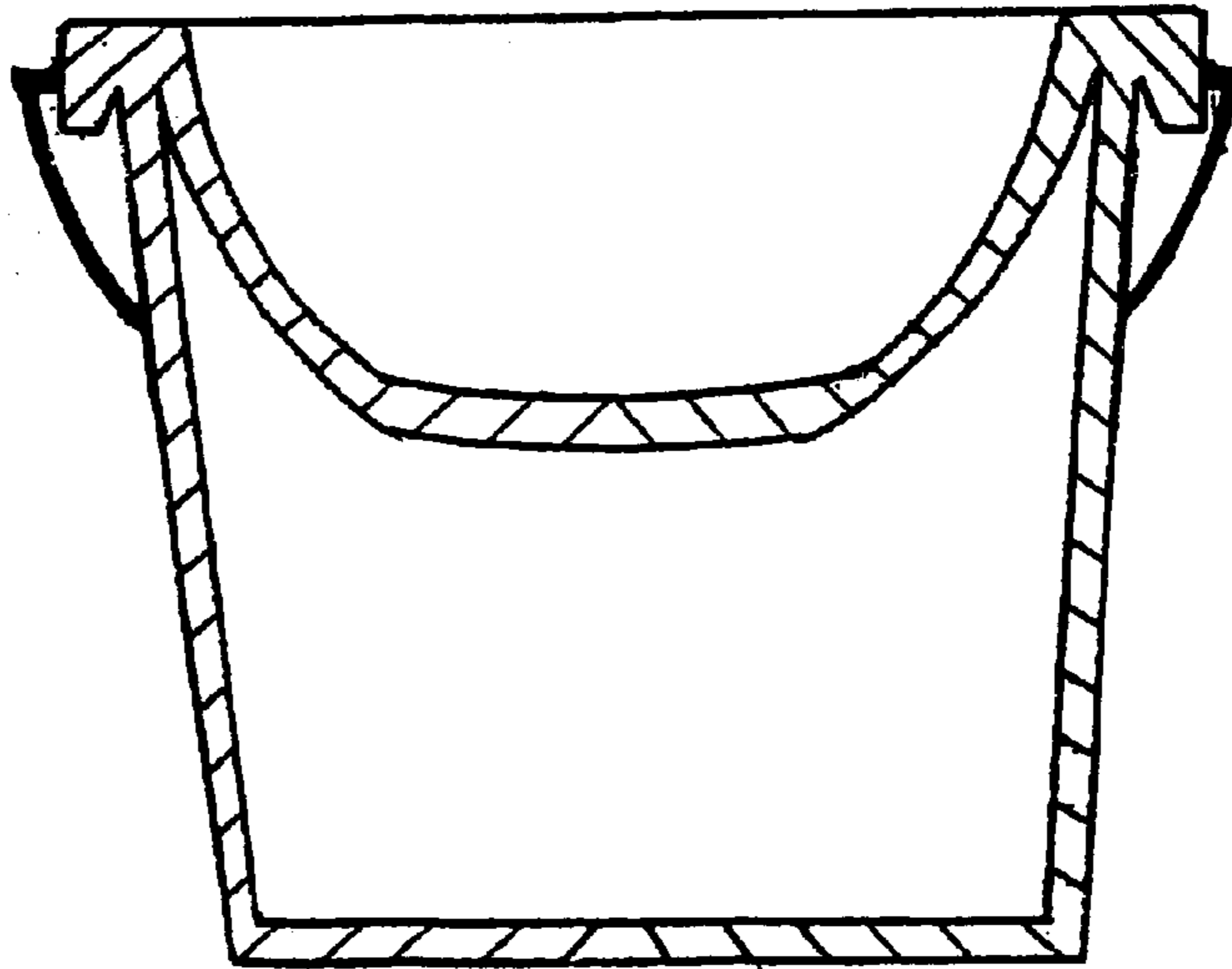


Fig. 9

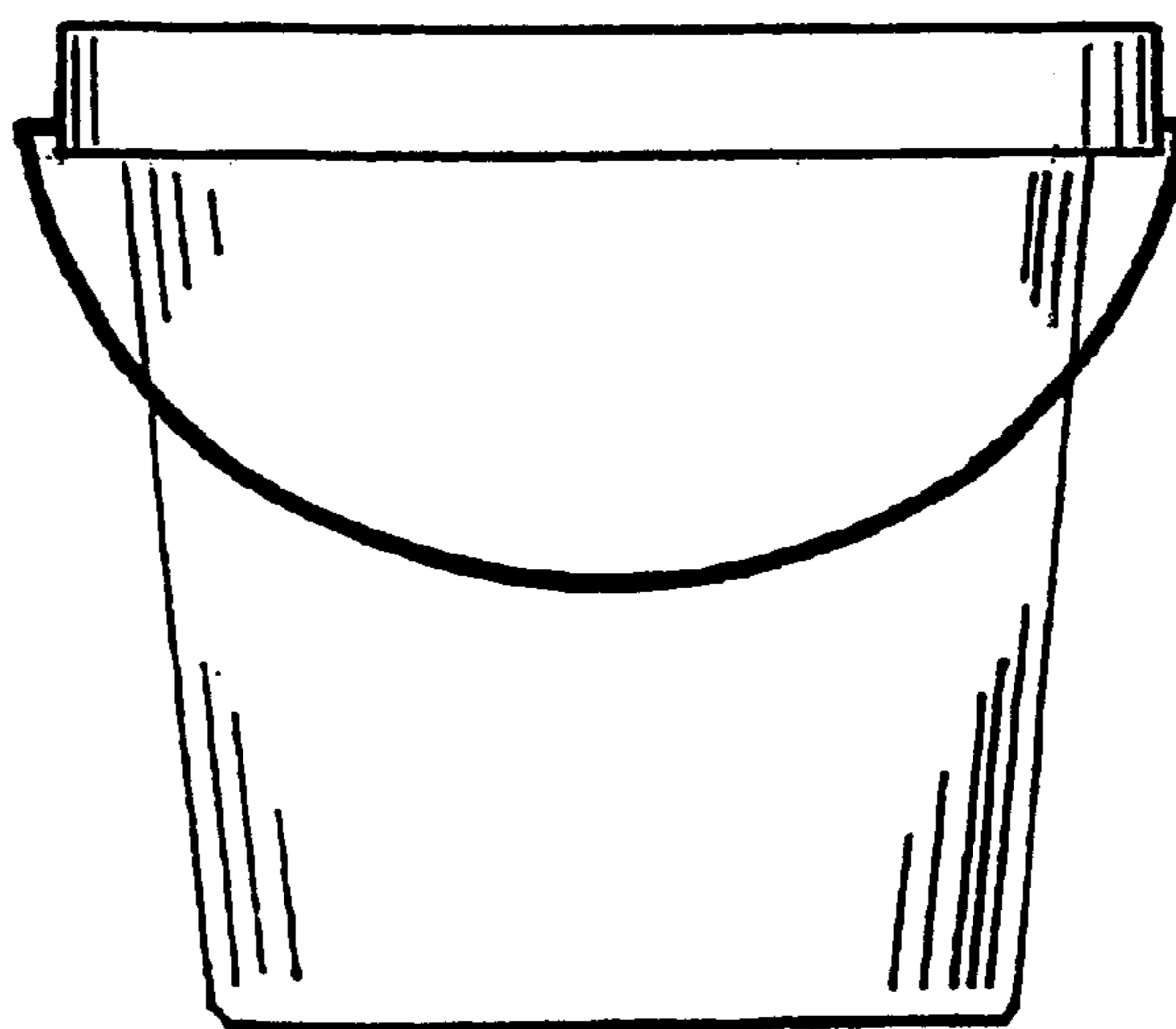


Fig. 10

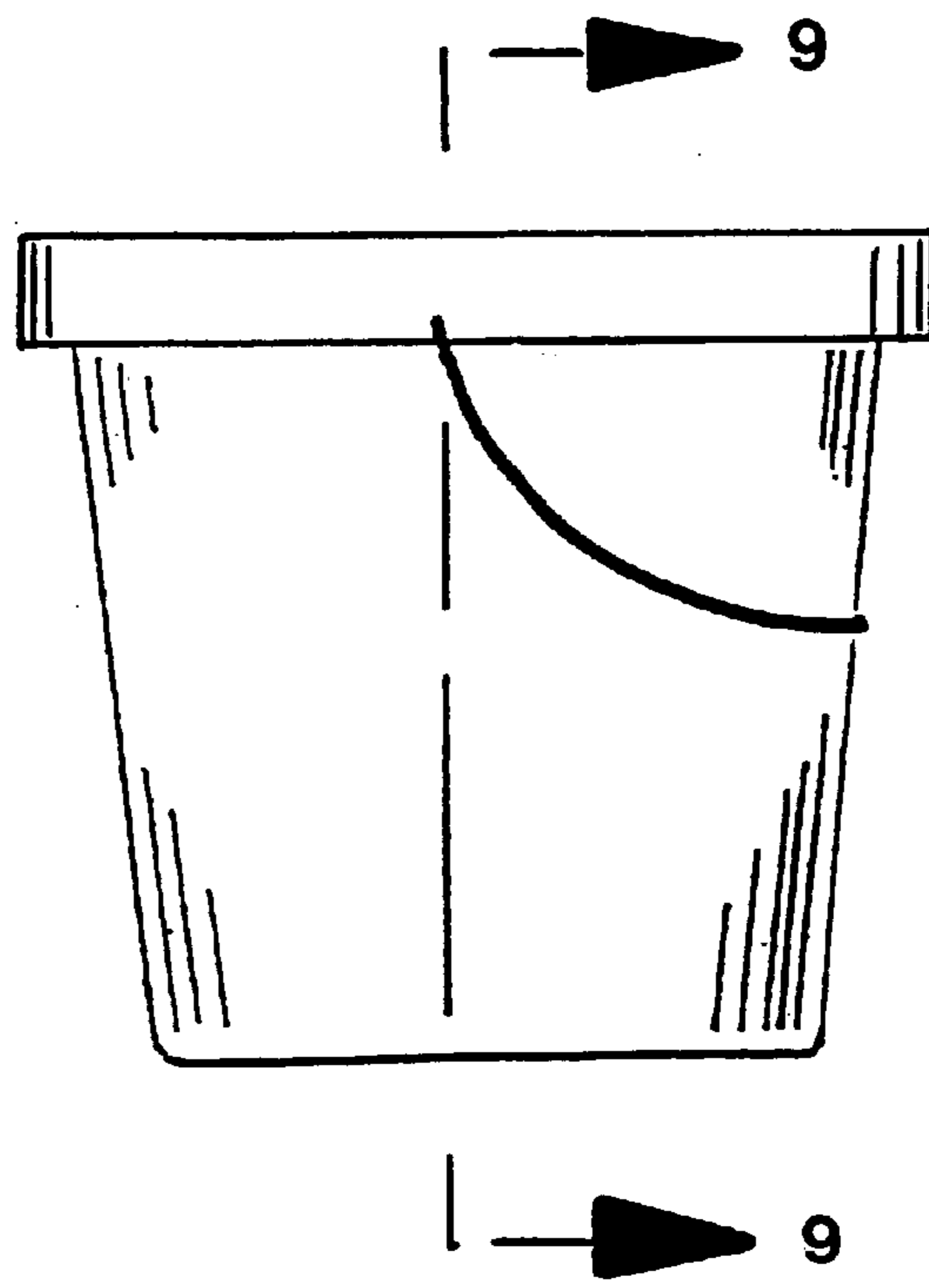


Fig. 11

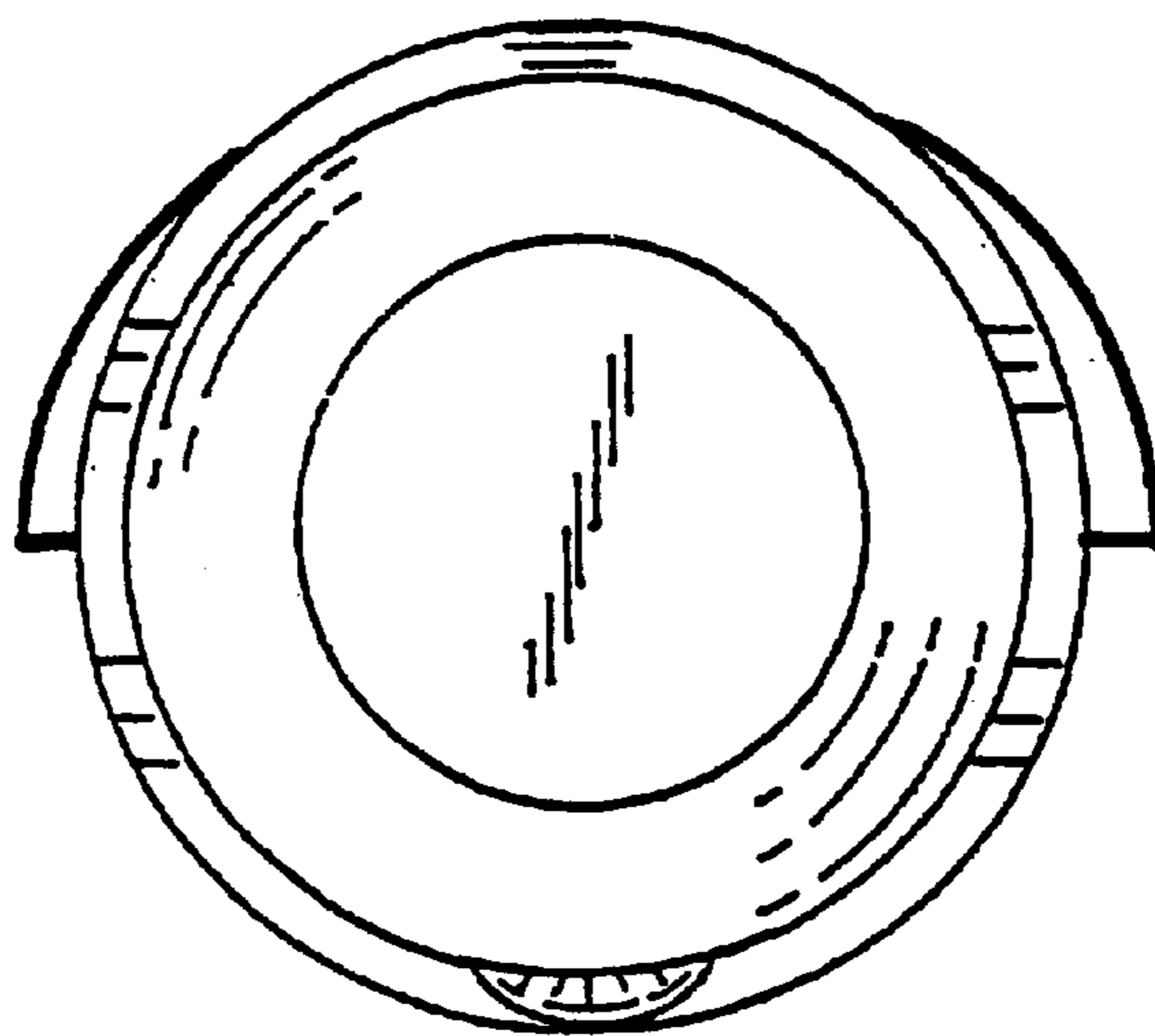


Fig. 12

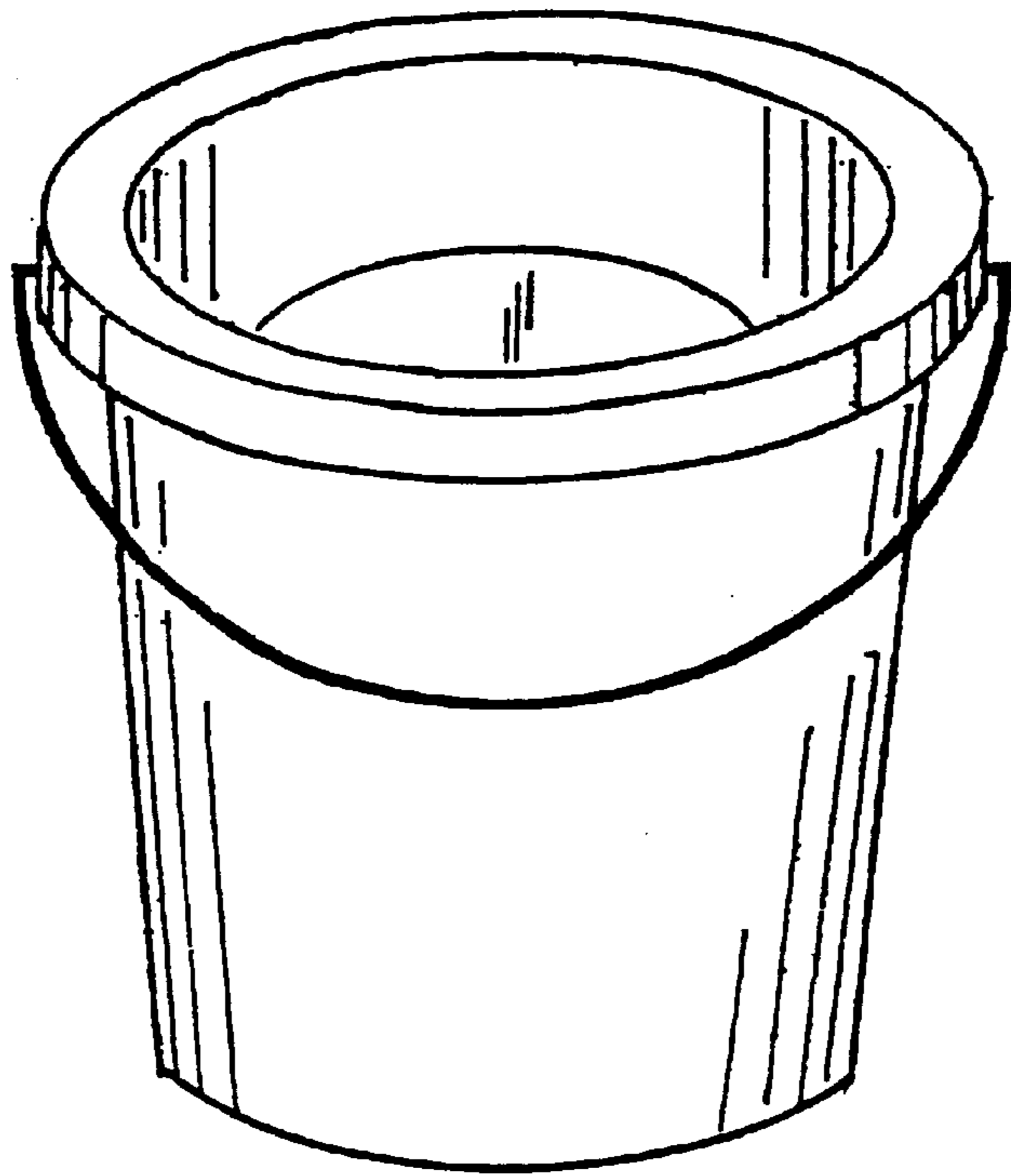


Fig. 13

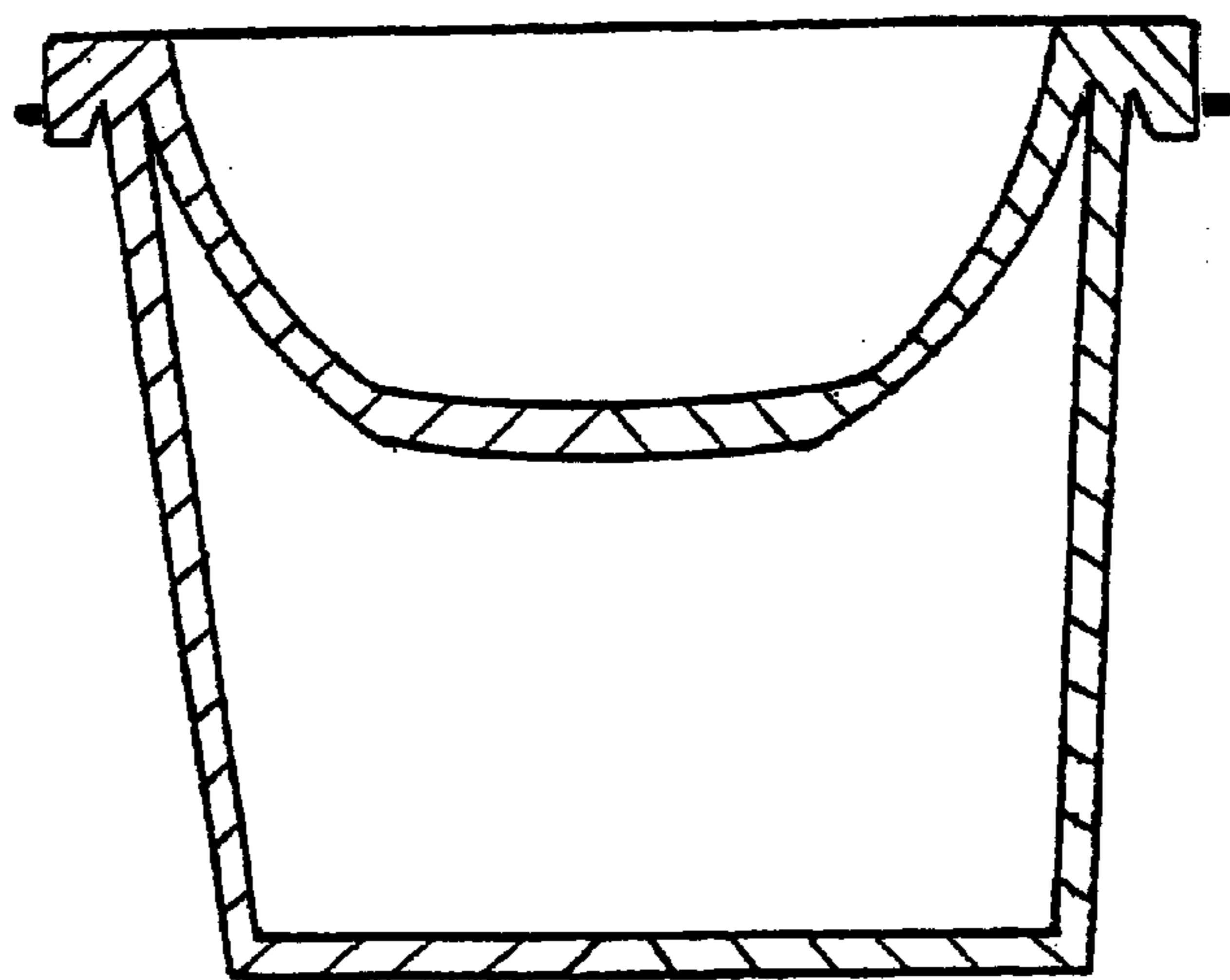


Fig. 14

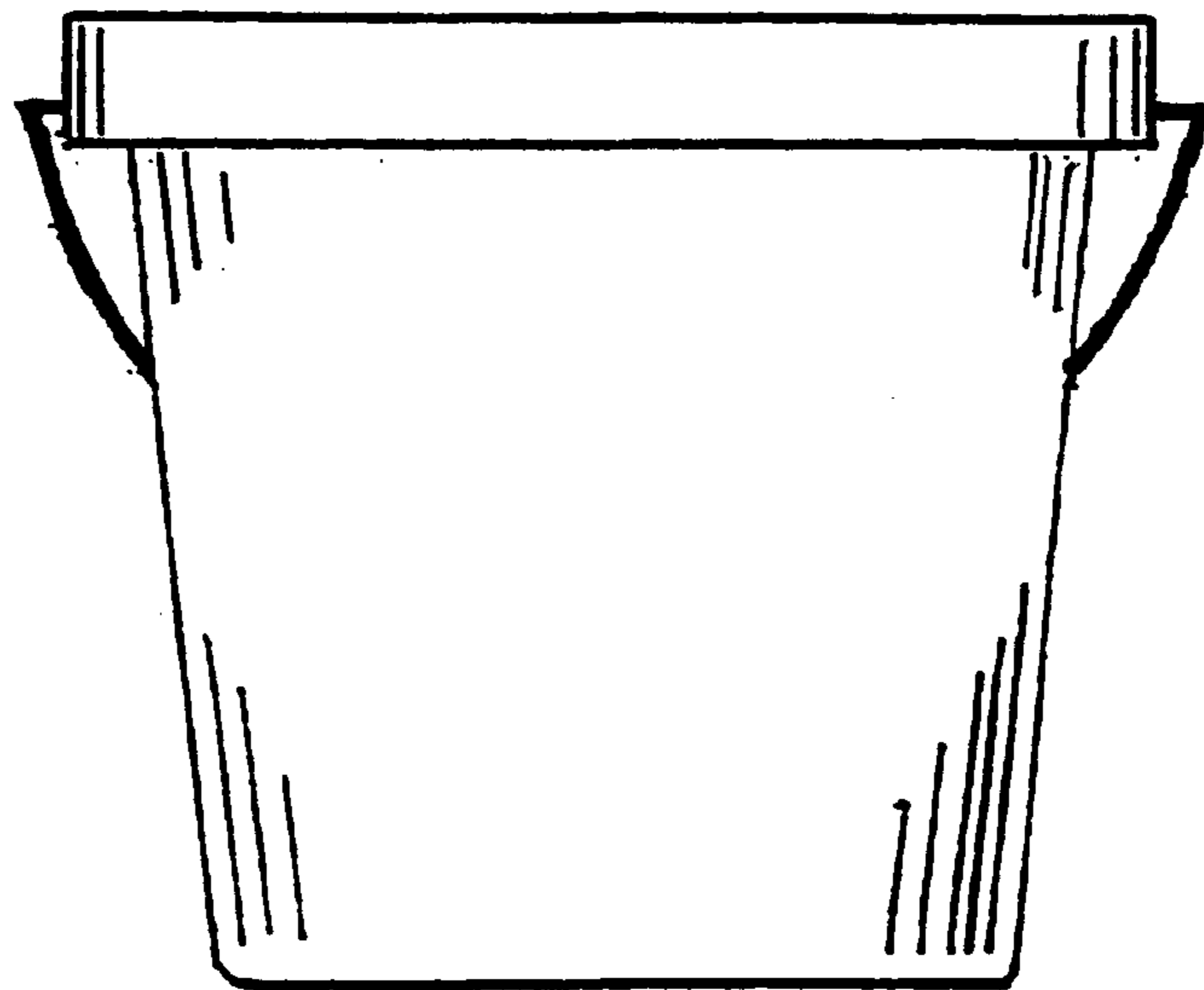


Fig. 15

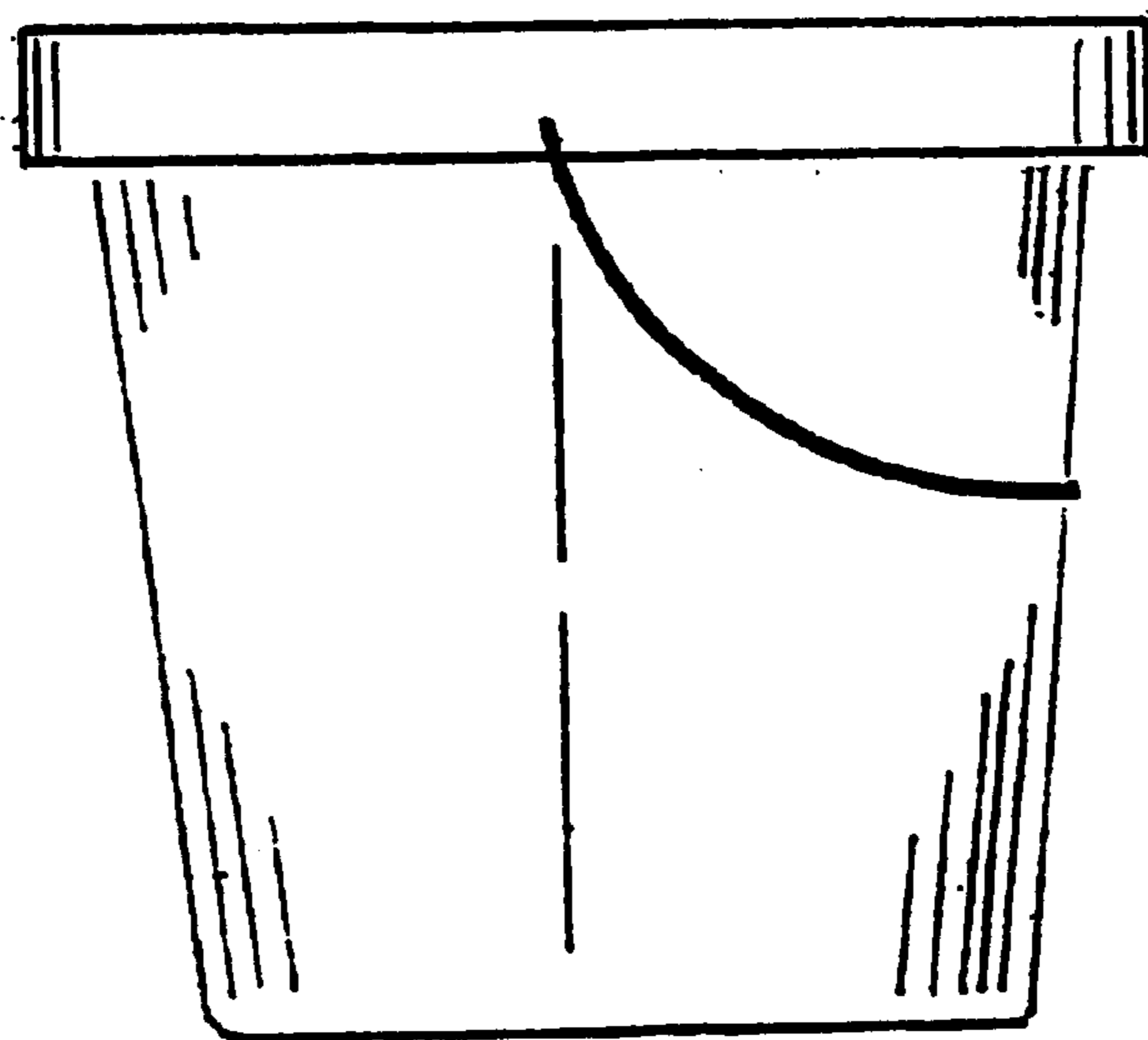


Fig. 16

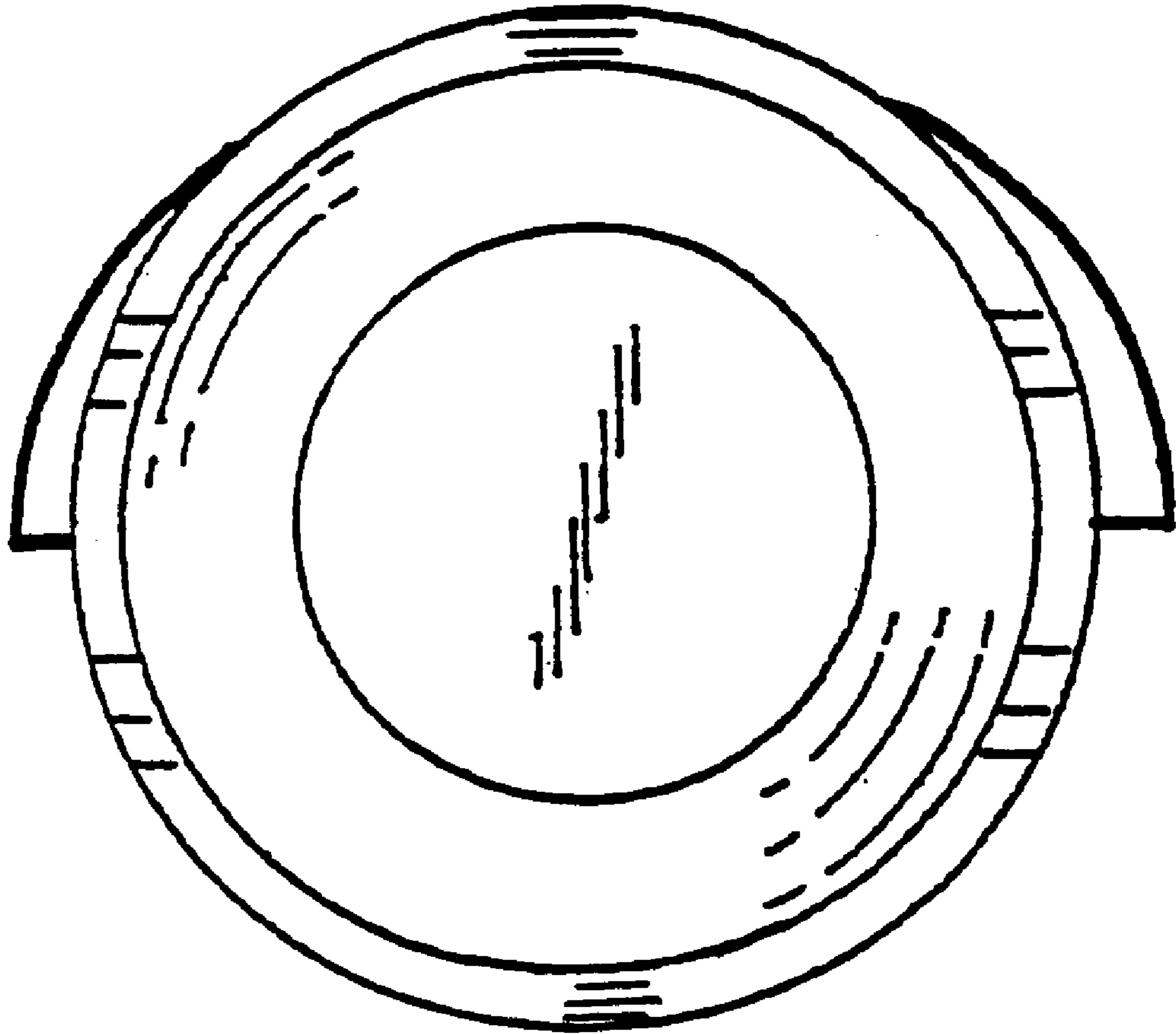


Fig. 17