



US00D448527B1

(12) **United States Design Patent** (10) **Patent No.:** **US D448,527 S**  
**Sav** (45) **Date of Patent:** **\*\* Sep. 25, 2001**

(54) **COMBINED HELMET AND DRINK HOLDER**

(75) Inventor: **Steven M. Sav**, Philadelphia, PA (US)

(73) Assignee: **Spencer Gifts, Inc.**, Egg Harbor Township, NJ (US)

(\*\*) Term: **14 Years**

(21) Appl. No.: **29/118,395**

(22) Filed: **Feb. 8, 2000**

(51) **LOC (7) Cl.** ..... **29-02**

(52) **U.S. Cl.** ..... **D29/103**

(58) **Field of Search** ..... D29/102-112,  
D29/122; 2/6.1-6.3, 6.6, 410-412, 414,  
416, 418, 421-425, 209.13; D2/865-866,  
878; 222/145, 175, 144.5

(56) **References Cited**

**U.S. PATENT DOCUMENTS**

D. 133,874	9/1942	Reid .
D. 154,468	7/1949	Foulke .
D. 162,965	4/1951	Krieger .
D. 169,968	7/1953	Feldman .
D. 171,297	1/1954	D'Arbeloff .
D. 171,754	3/1954	Endelson .
D. 179,967	4/1957	Erickson .
D. 204,227	4/1966	Orenstein .
D. 205,179	7/1966	Miller .
D. 226,623	4/1973	Shuford .
D. 230,103	1/1974	Hyatt, Jr. .
D. 244,491	5/1977	Csiki et al. .
D. 257,184	10/1980	Peham .
D. 274,537	7/1984	Wolens et al. .
D. 278,381	4/1985	Saari .
D. 283,268	4/1986	Rebiskie et al. .
D. 283,749	5/1986	Bound .

(List continued on next page.)

**OTHER PUBLICATIONS**

Marilee Enge, "Fair is Fertile Ground for Entrepreneur", Los Angeles Times Article, Jun. 26, 1985, San Diego County Edition, Metro, Part 2, p. 2, Col. 1.

Lisa Maroney, "Drinkers Now Can Use their Heads", Daily Pilot Article, Orange Country California, Jun. 26, 1985, p. A1.

Alan Maltun, "Helmet Maker Aims at Quenching Yuppies' Thirst", Los Angeles Times Article, Jul. 28, 1985, p. 6.

Alan Maltun, "Hands-Free Imbibing for the Yuppie with Everything", Los Angeles Times Article, Aug. 1, 1985, Home Edition, San Gabriel Valley, Part 9, p. 1, Col. 1.

Daniel P. Puzo, "New Products with a Sense of Humor", Los Angeles Times Article, Nov. 14, 1985, Home Edition, Food, Part 8, p. 16, Col. 1.

Original Head Cooler Brochure, Jul. 10, 1986 and Johnny Dyer Affidavit.

"The latest in Doubleheaders" People Weekly, Undated.

McLellan "Ear on Washington").

"New 'The Blaster'"—Crazy Helmut Mfg.; Advertisement/Order Information Pack of 8 Pages (including price lists effective Nov. 1987 and Sep. 1, 1988).

*Primary Examiner*—Ruth McInroy

(74) *Attorney, Agent, or Firm*—Akin, Gump, Strauss, Hauer & Feld, L.L.P.

(57) **CLAIM**

The ornamental design for a combined helmet and drink holder, as shown and described.

**DESCRIPTION**

FIG. 1 is a perspective view of a combined helmet and drink holder in accordance with my new design;

FIG. 2 is a front elevational view thereof;

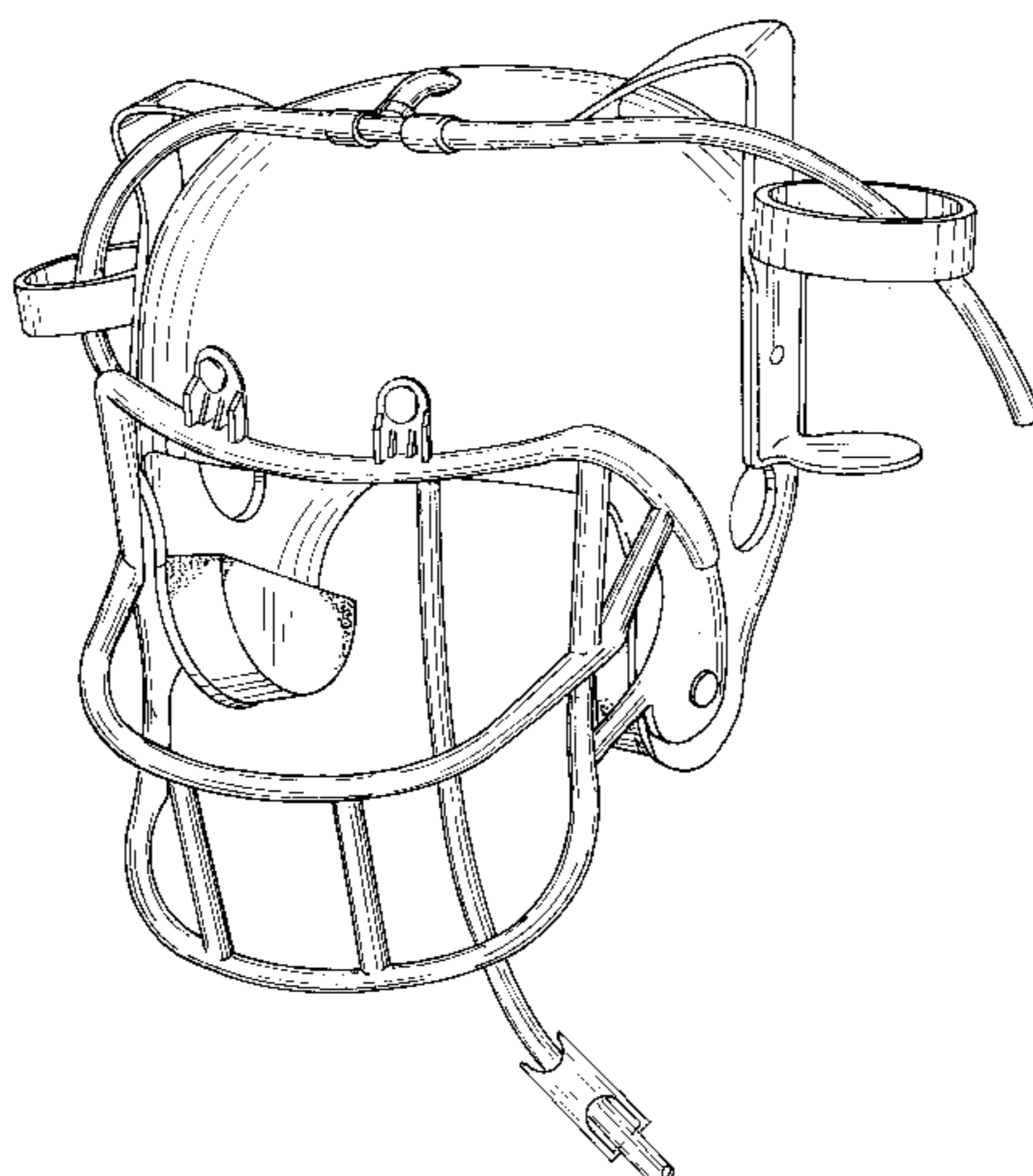
FIG. 3 is a left side elevational view, the right side elevational view being a mirror image thereof;

FIG. 4 is a top plan view thereof; and,

FIG. 5 is a bottom plan view thereof.

The rear portion of the article not shown in the drawings or described in the specification forms no part of the claimed design.

**1 Claim, 3 Drawing Sheets**



# US D448,527 S

Page 2

---

U.S. PATENT DOCUMENTS					
D. 287,061	12/1986	Bound .	4,521,831	6/1985	Thayer .
D. 408,236 *	4/1999	Rennick .....	4,544,087	10/1985	Modig .
2,931,042	4/1960	Austin .	4,681,244	7/1987	Geddie .
3,067,427	12/1962	McClintock .	4,692,947 *	9/1987	Black et al. .... 2/421
3,068,865	12/1962	Laszlo .	4,739,905	4/1988	Nelson .
3,106,184	10/1963	Shea .	4,813,083	3/1989	Davidson .
3,139,624 *	7/1964	Humphrey .....	5,148,950	9/1992	Hosaka .
3,260,462	7/1966	Smaczny .	5,340,006 *	8/1994	Li ..... 224/148.4
3,711,864	1/1973	Dickstein .	5,417,369 *	5/1995	Lipson ..... 239/33
3,765,031	10/1973	Beresic .	5,970,523 *	10/1999	Atkins ..... 2/209.13
3,946,442	3/1976	Wallander .	6,105,827 *	8/2000	Rowan ..... 222/175

\* cited by examiner

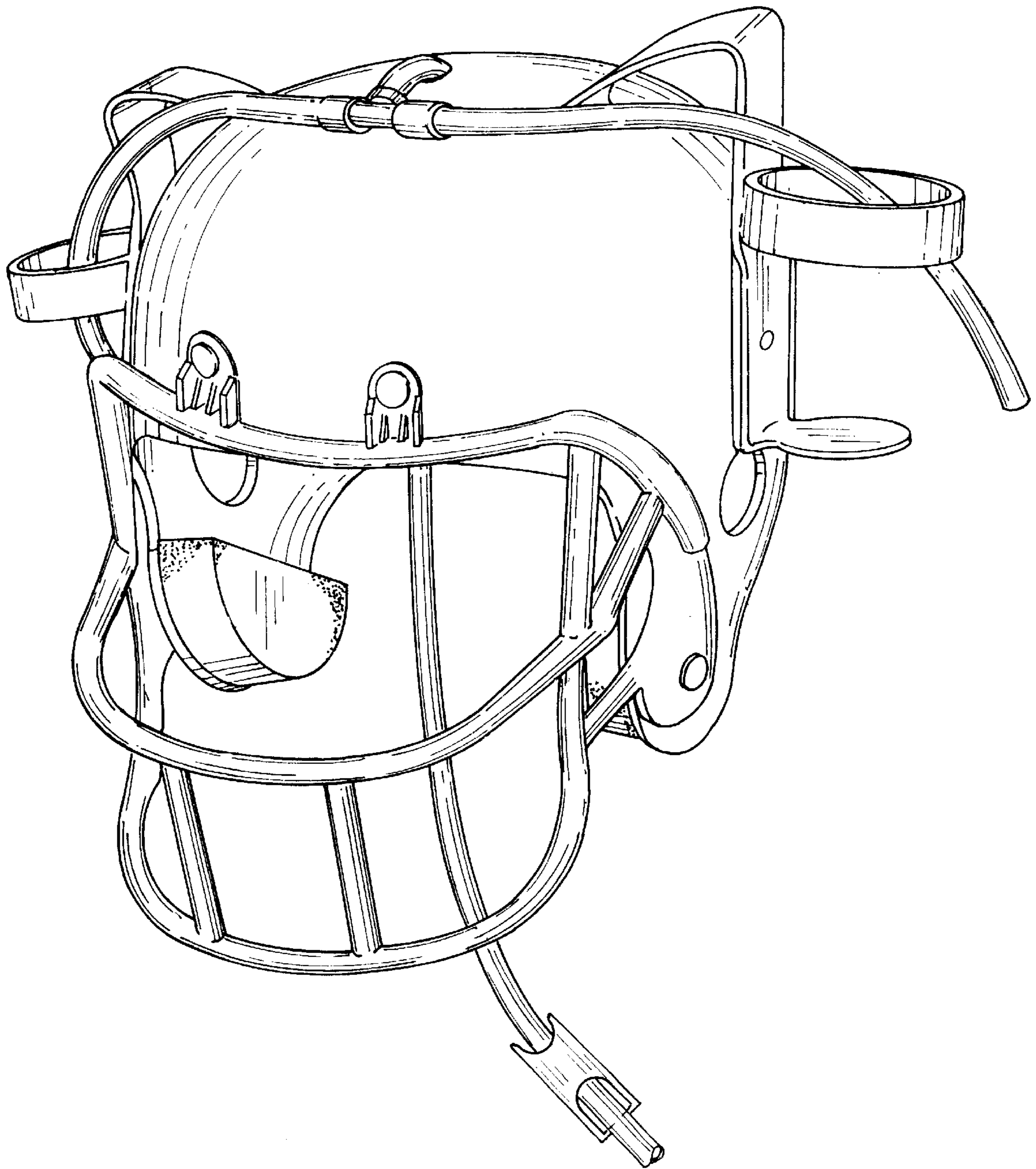


Fig. 1

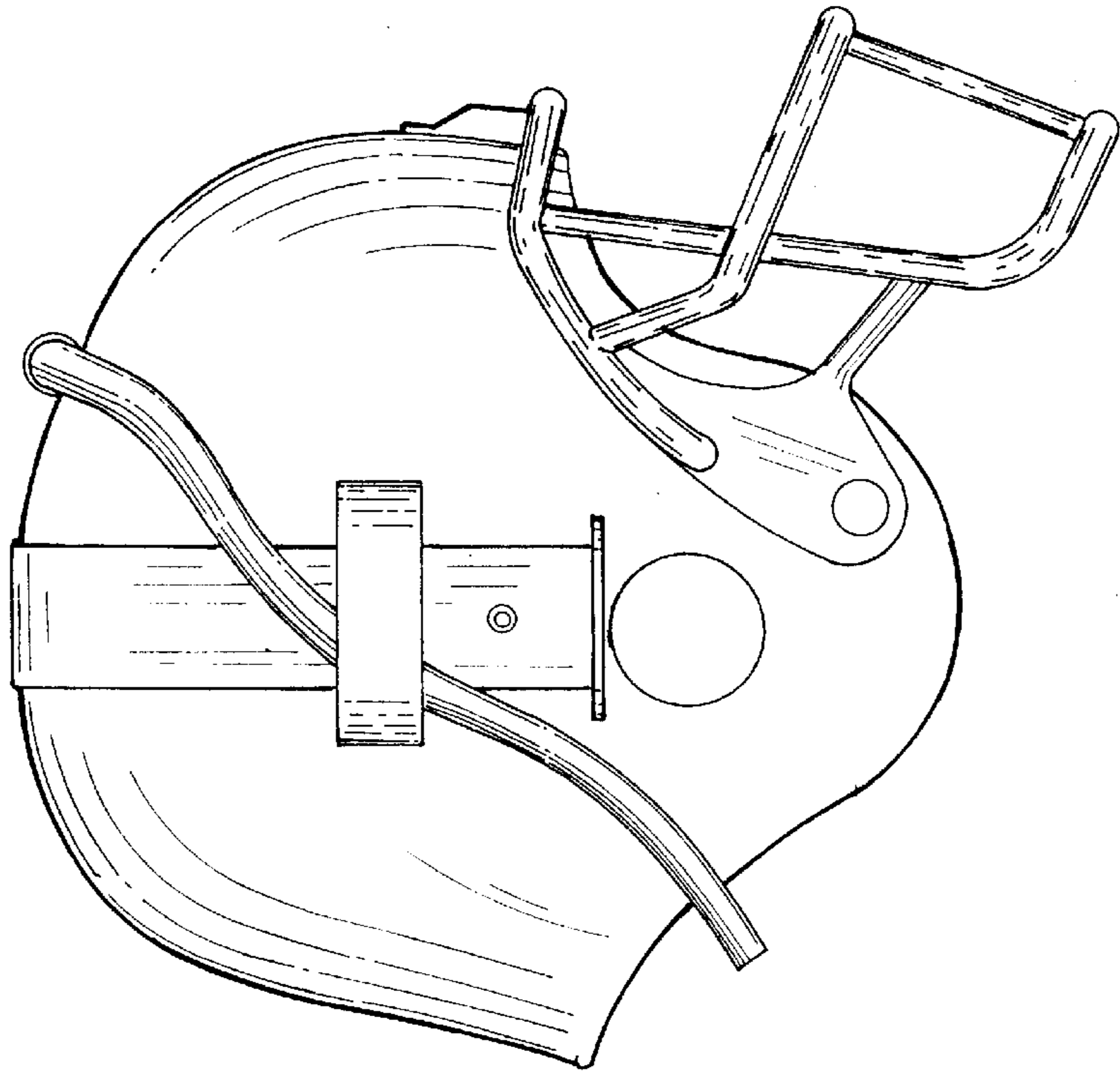


Fig. 3

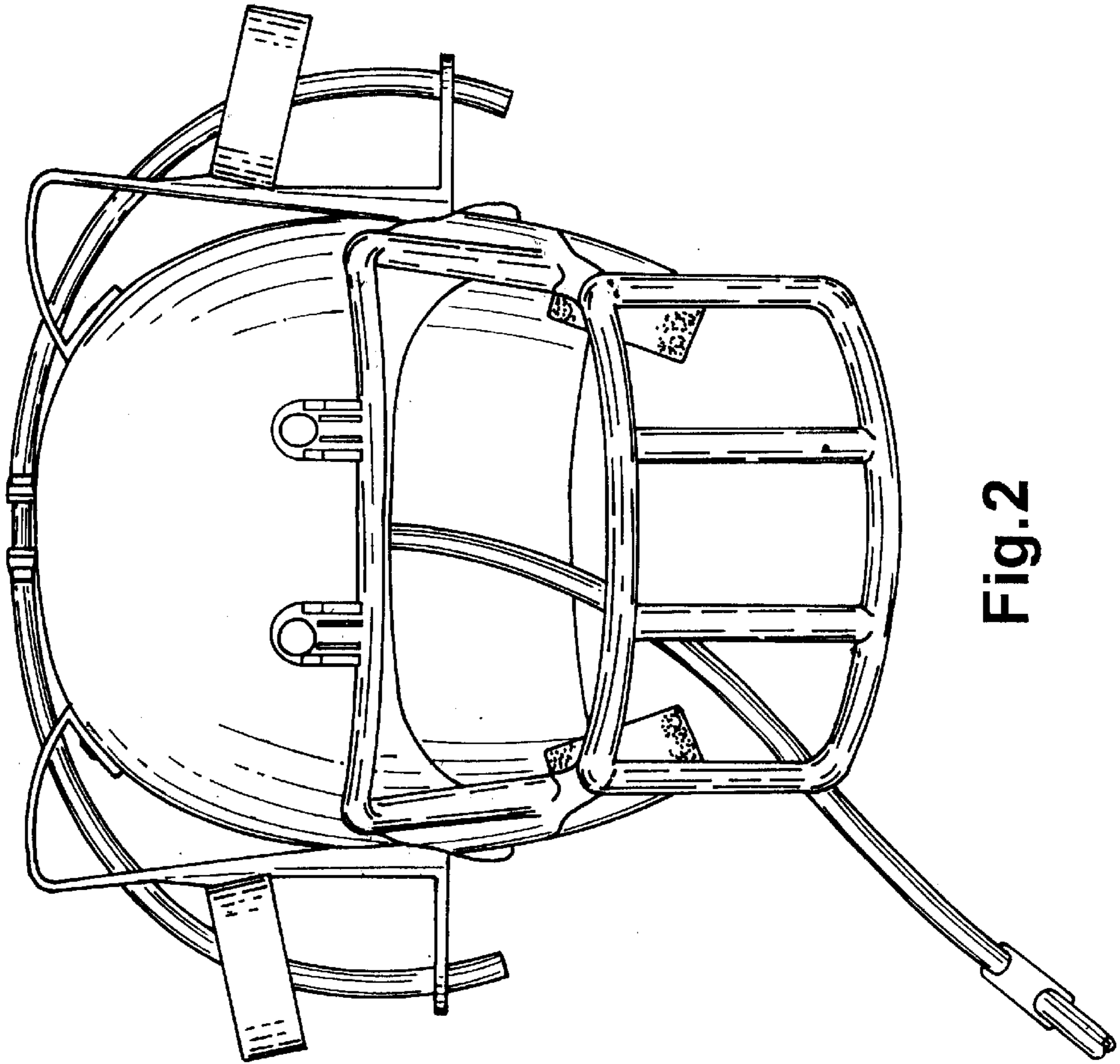


Fig. 2

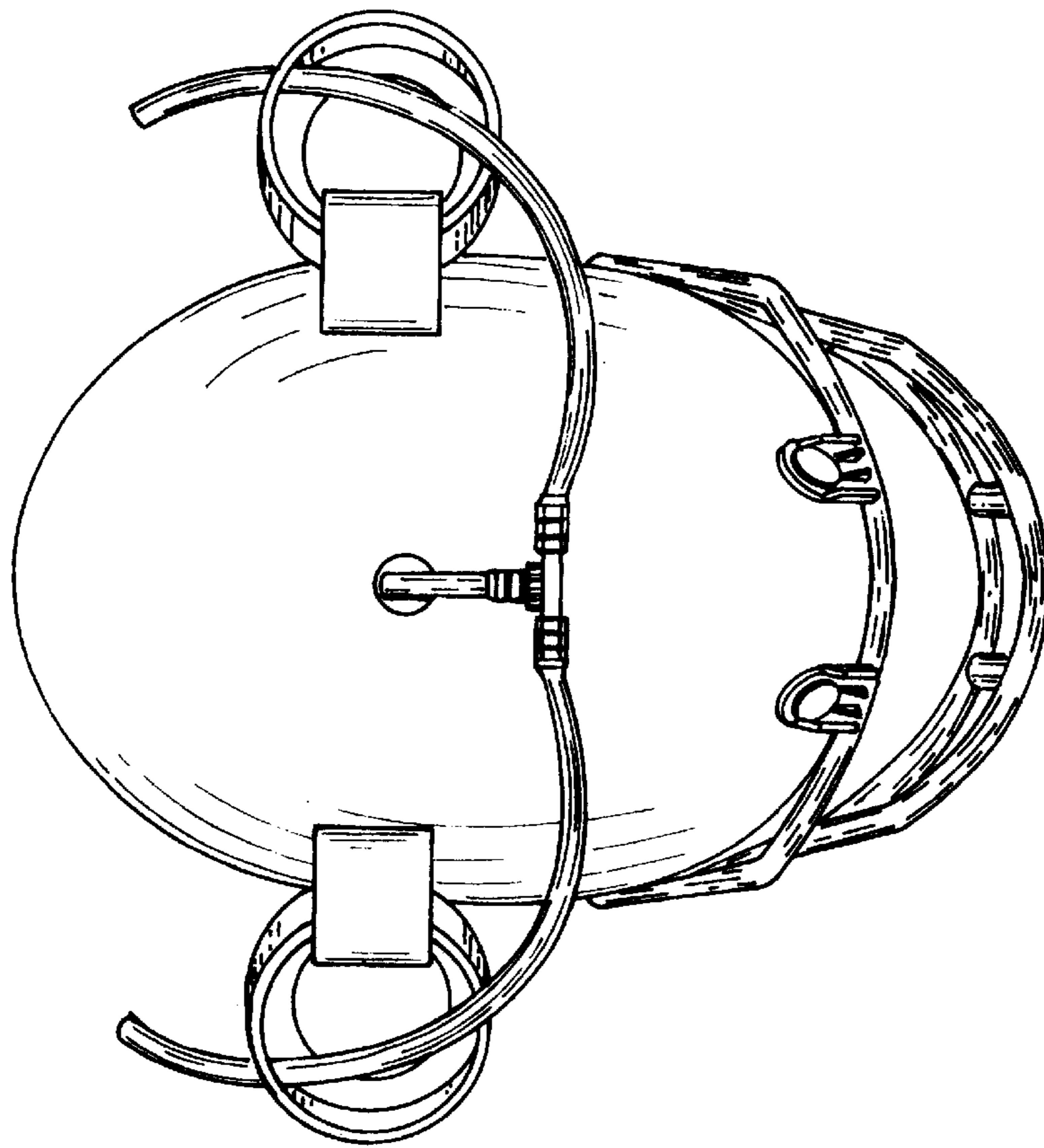


Fig. 4

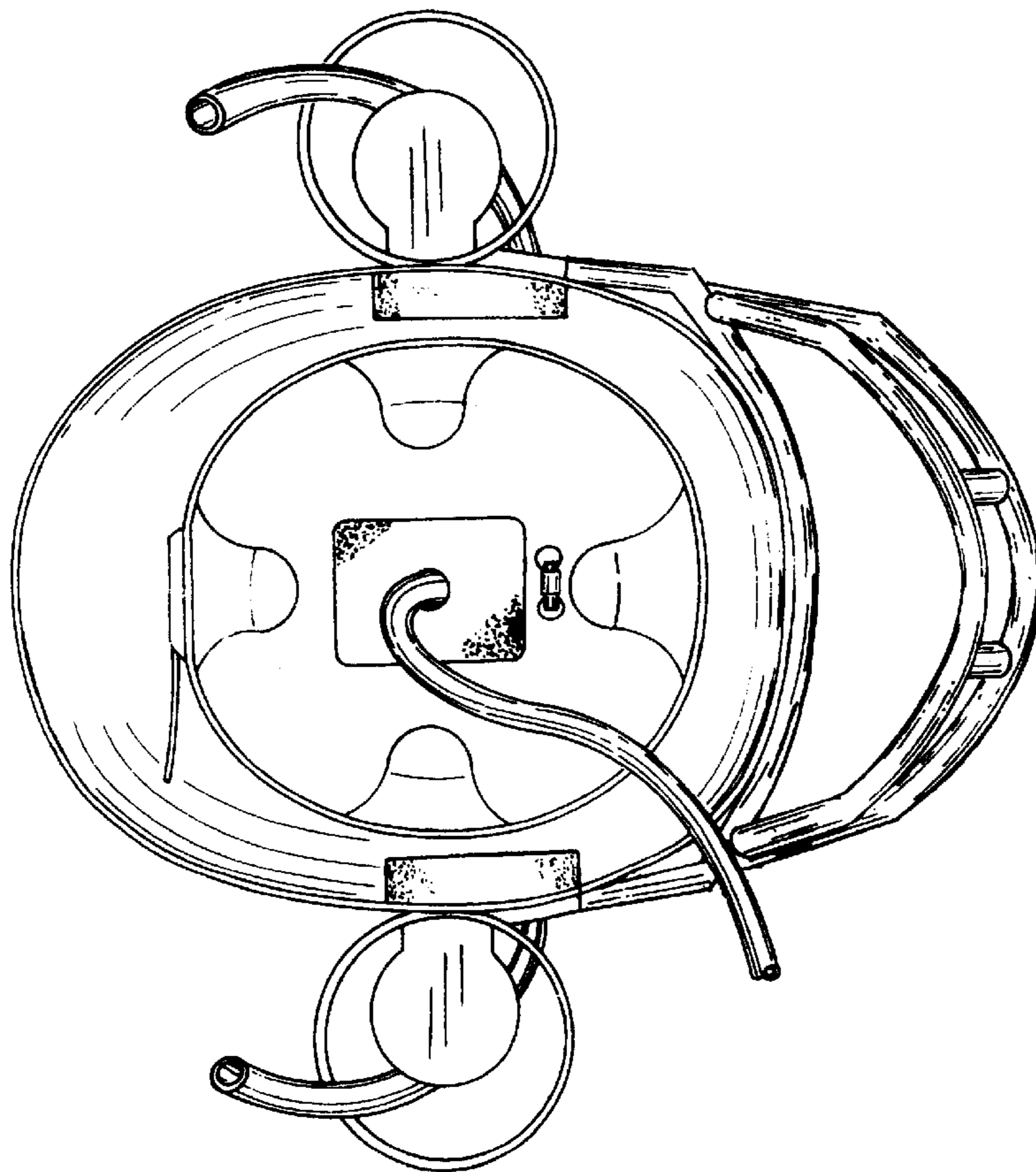


Fig. 5