



US00D448522B1

(12) **United States Design Patent**  
**Minami**

(10) **Patent No.:** **US D448,522 S**  
(45) **Date of Patent:** **\*\* Sep. 25, 2001**

(54) **FACE BEAUTY MACHINE**

**FOREIGN PATENT DOCUMENTS**

(75) Inventor: **Nobuyuki Minami**, Osaka (JP)  
(73) Assignee: **Oohiro Works, Ltd.**, Osaka (JP)  
(\*\*) Term: **14 Years**

1058234 1/2000 (JP) .  
238776 3/1999 (KR) .  
377125 12/1999 (TW) .

\* cited by examiner

(21) Appl. No.: **29/117,306**  
(22) Filed: **Jan. 21, 2000**

*Primary Examiner*—Ted Shooman  
*Assistant Examiner*—C Tuttle  
(74) *Attorney, Agent, or Firm*—Burr & Brown

(30) **Foreign Application Priority Data**

(57) **CLAIM**

Sep. 10, 1999 (JP) ..... 11-24444

The ornamental design for the face beauty machine, as shown and described.

(51) **LOC (7) Cl.** ..... **28-03**  
(52) **U.S. Cl.** ..... **D28/9**  
(58) **Field of Search** ..... D28/9, 10, 20,  
D28/99, 12, 15, 17; D24/188, 200, 203;  
D23/213, 223, 228; 132/333; 601/15-17,  
154-156, 158-161; 607/84, 109; 4/535,  
537; 604/289, 291

**DESCRIPTION**

(56) **References Cited**

**U.S. PATENT DOCUMENTS**

D. 77,801 \* 2/1929 Wantz ..... D24/200  
D. 216,852 \* 3/1970 Farwick ..... D28/9  
D. 286,922 \* 11/1986 Takagawa ..... D28/9  
3,085,842 \* 4/1963 Johnson ..... 312/209  
5,211,558 \* 5/1993 Bailey et al. .... 433/77  
5,970,533 \* 10/1999 Chang ..... 4/537  
5,984,952 \* 11/1999 Chang ..... 607/109  
6,022,327 \* 2/2000 Chang ..... 601/15

FIG. 1 is a front view of the face beauty machine in accordance with my new design;  
FIG. 2 is a right side view thereof;  
FIG. 3 is a left side view thereof;  
FIG. 4 is a rear view thereof;  
FIG. 5 is a top view thereof;  
FIG. 6 is a bottom view thereof;  
FIG. 7 is a perspective view thereof;  
FIG. 8 is an enlarged scale cross sectional view taken along line 8—8 of FIG. 7;  
FIG. 9 is a rear view showing the nozzle element of the design in an alternate position; and,  
FIG. 10 is a rear view showing the nozzle element of the design in a further alternate position.

**1 Claim, 8 Drawing Sheets**

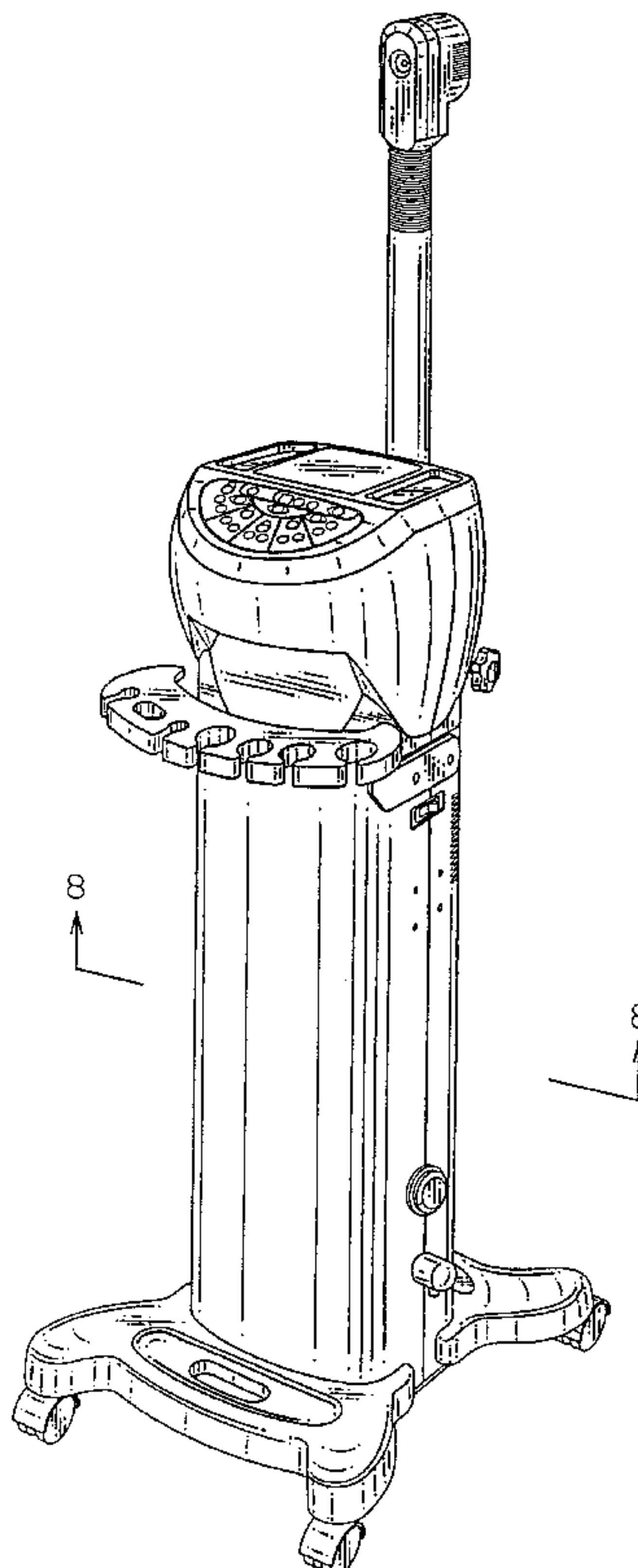


Fig.1

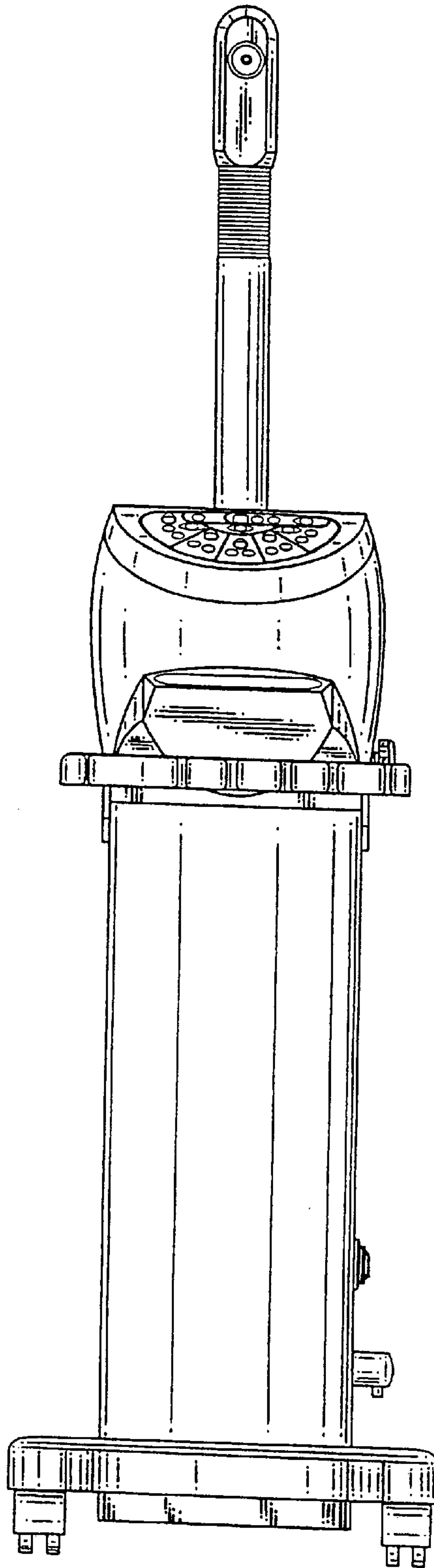


Fig.2

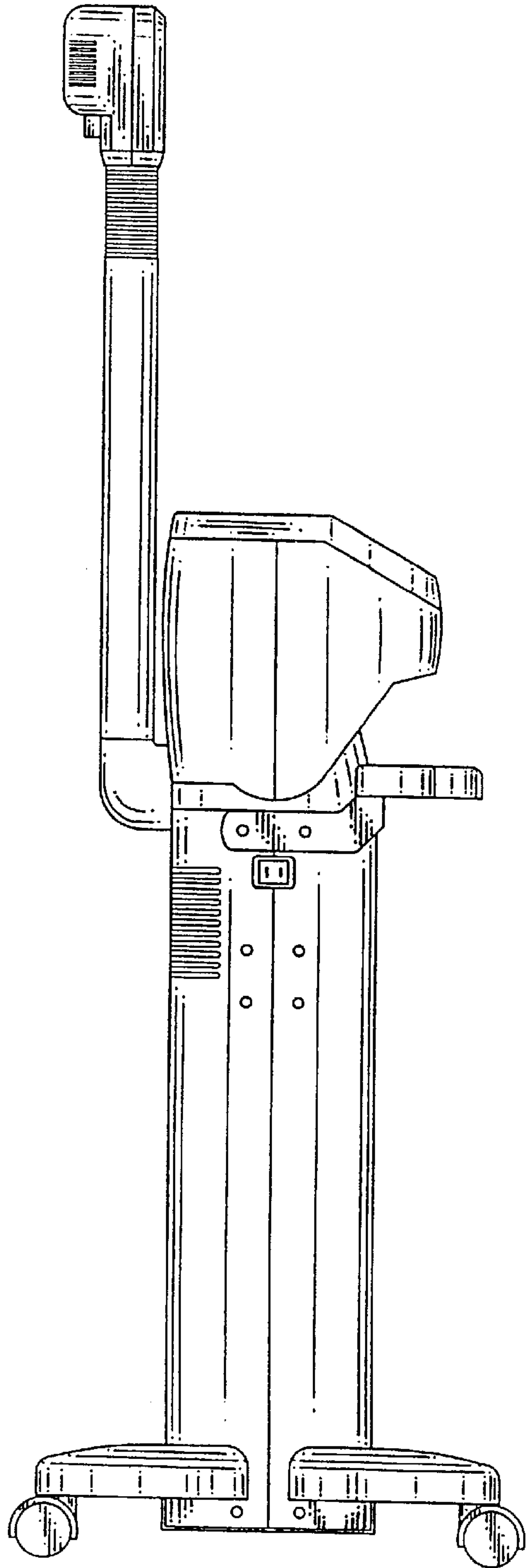


Fig.3

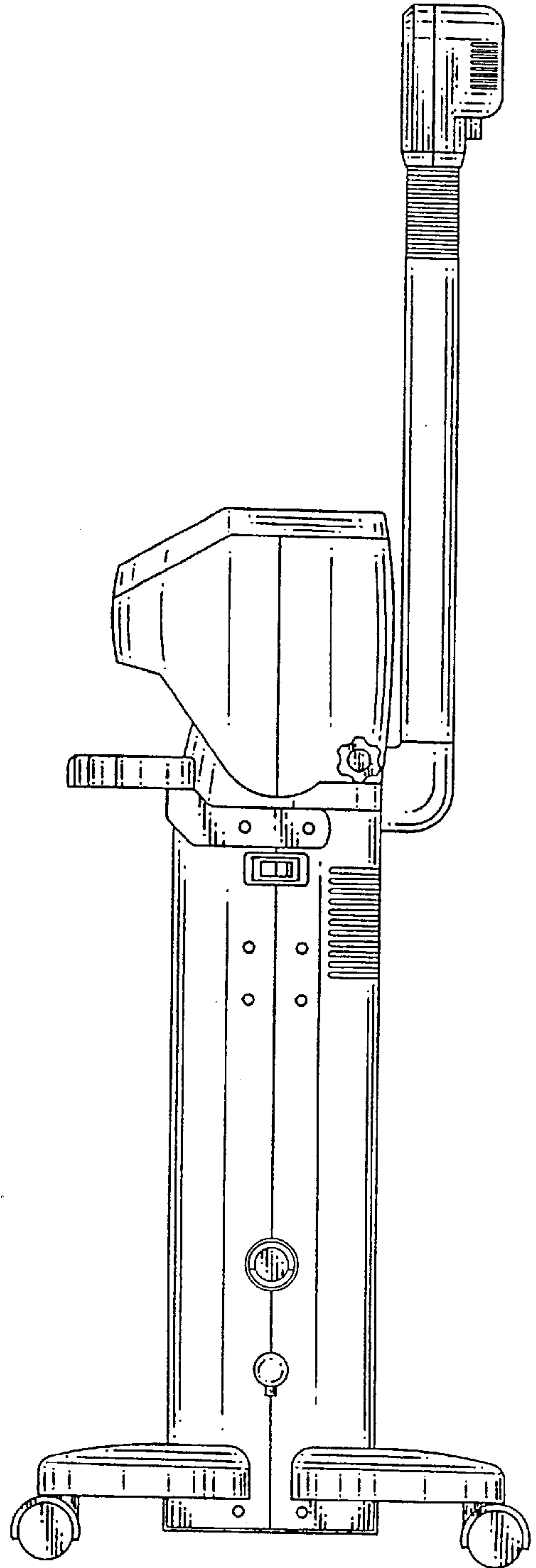


Fig.4

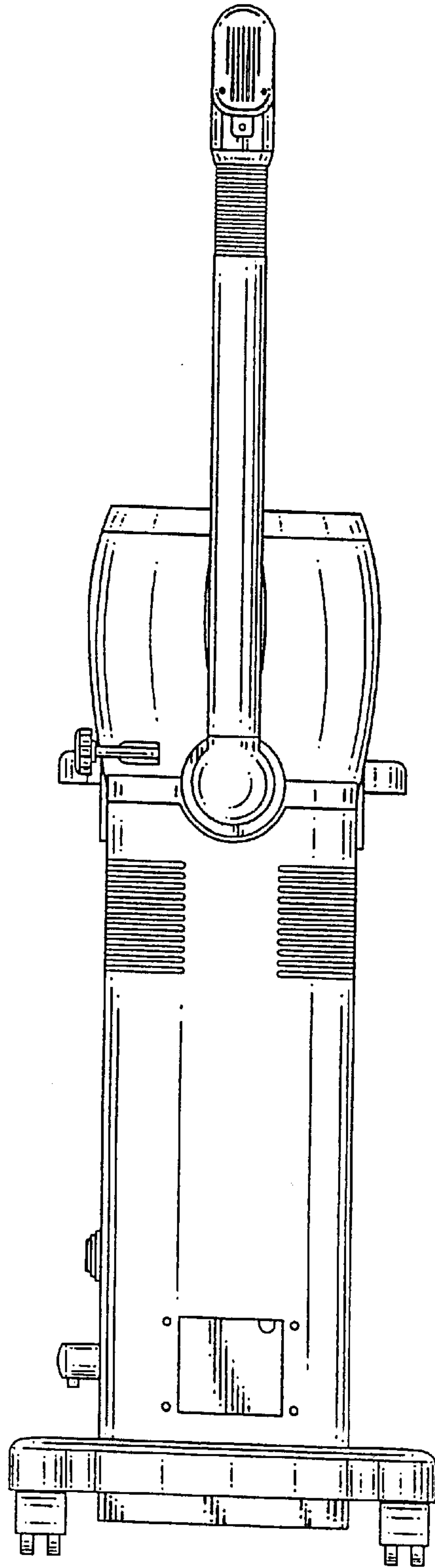


Fig.5

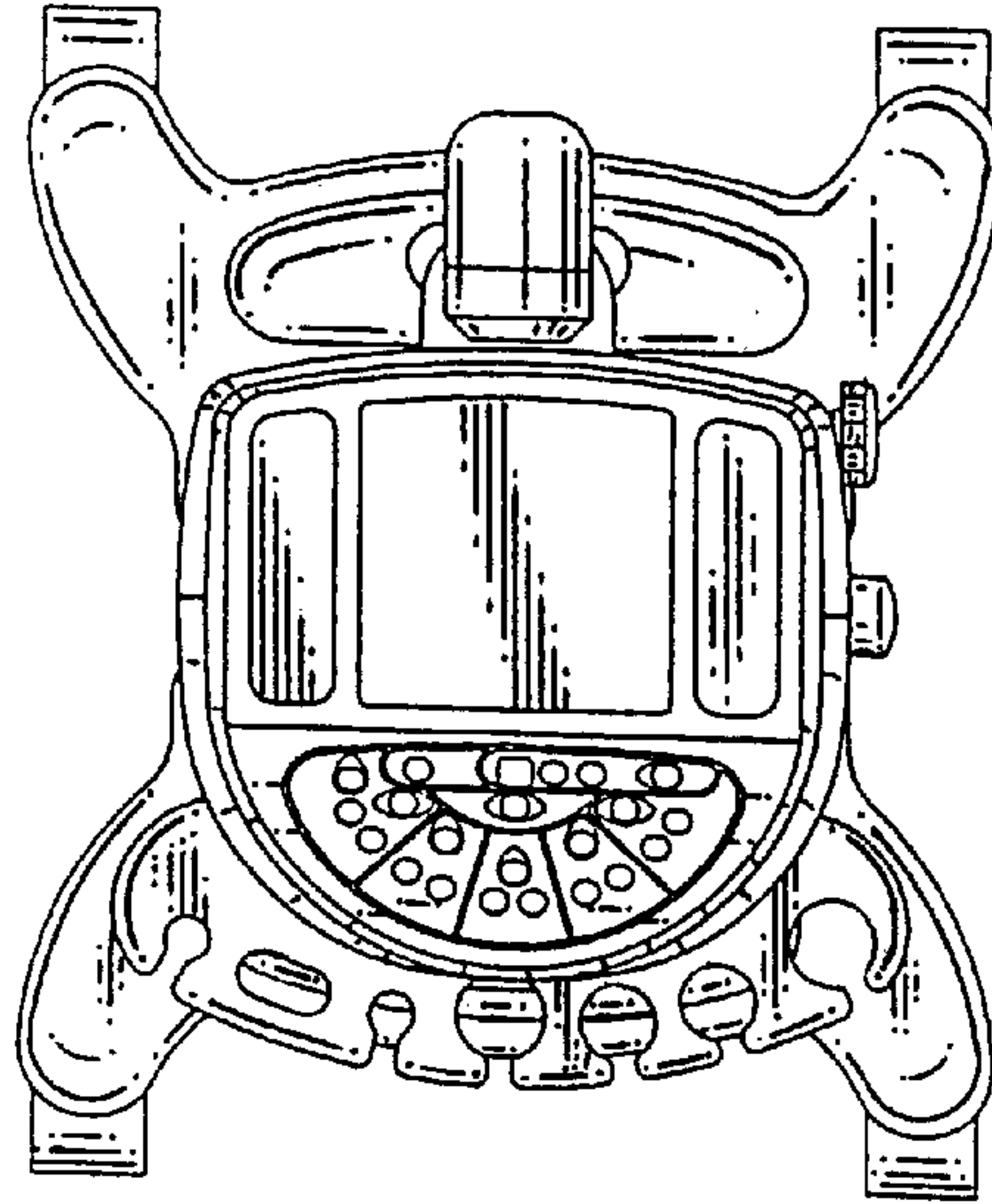


Fig.6

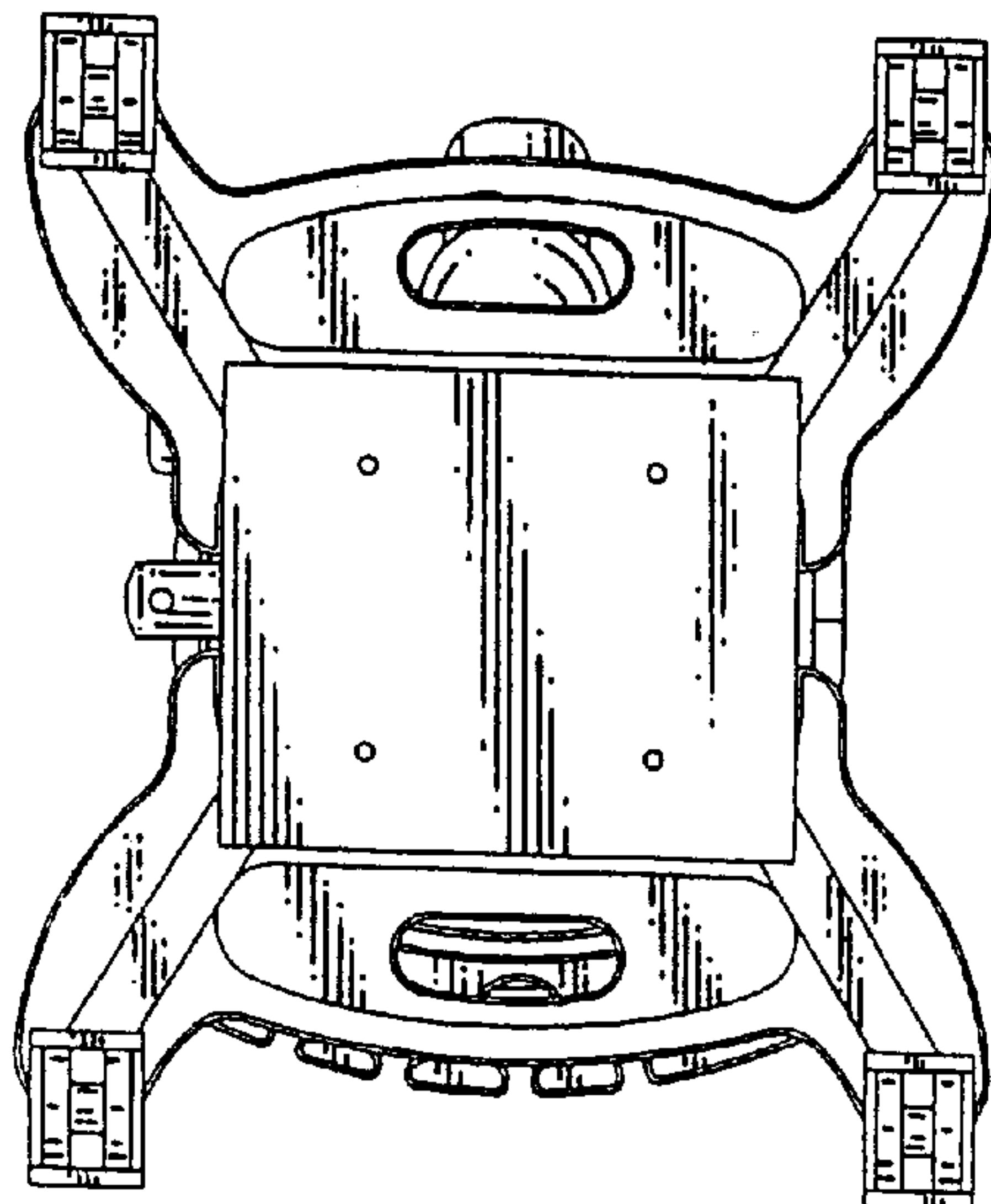


Fig.7

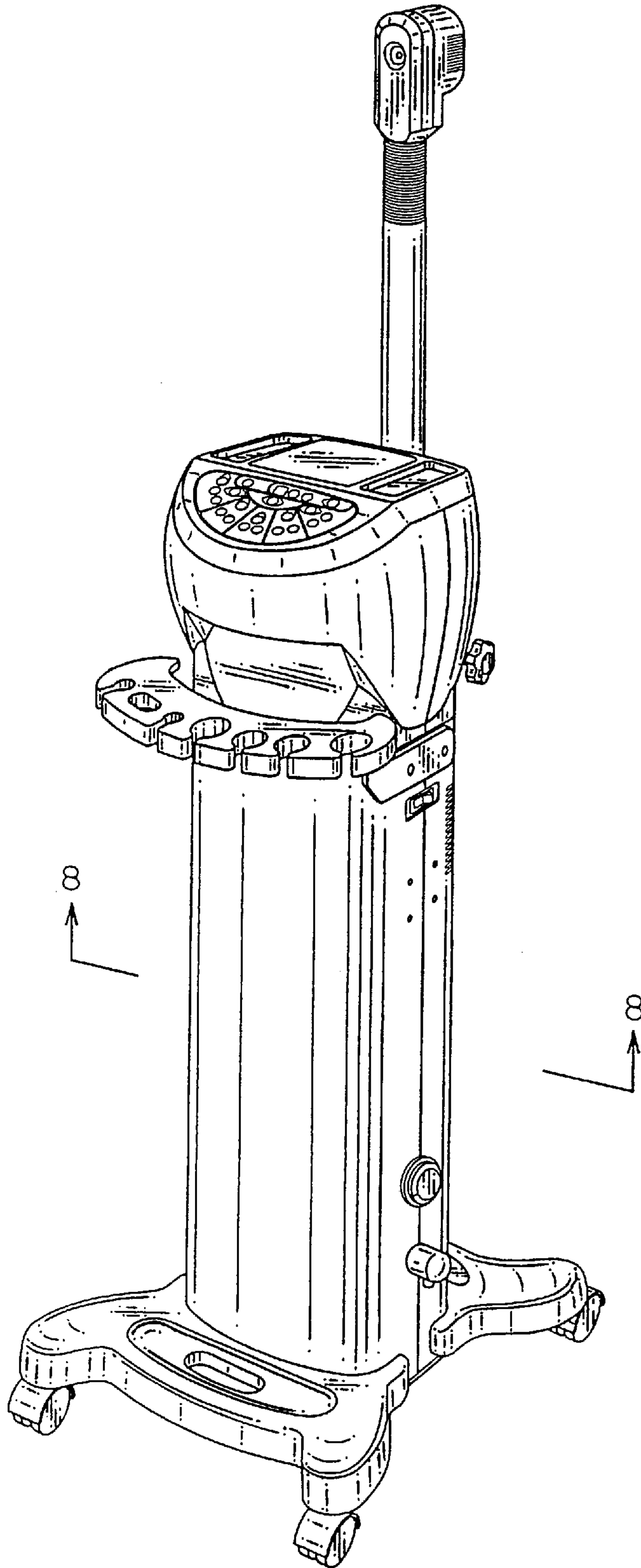




Fig.8

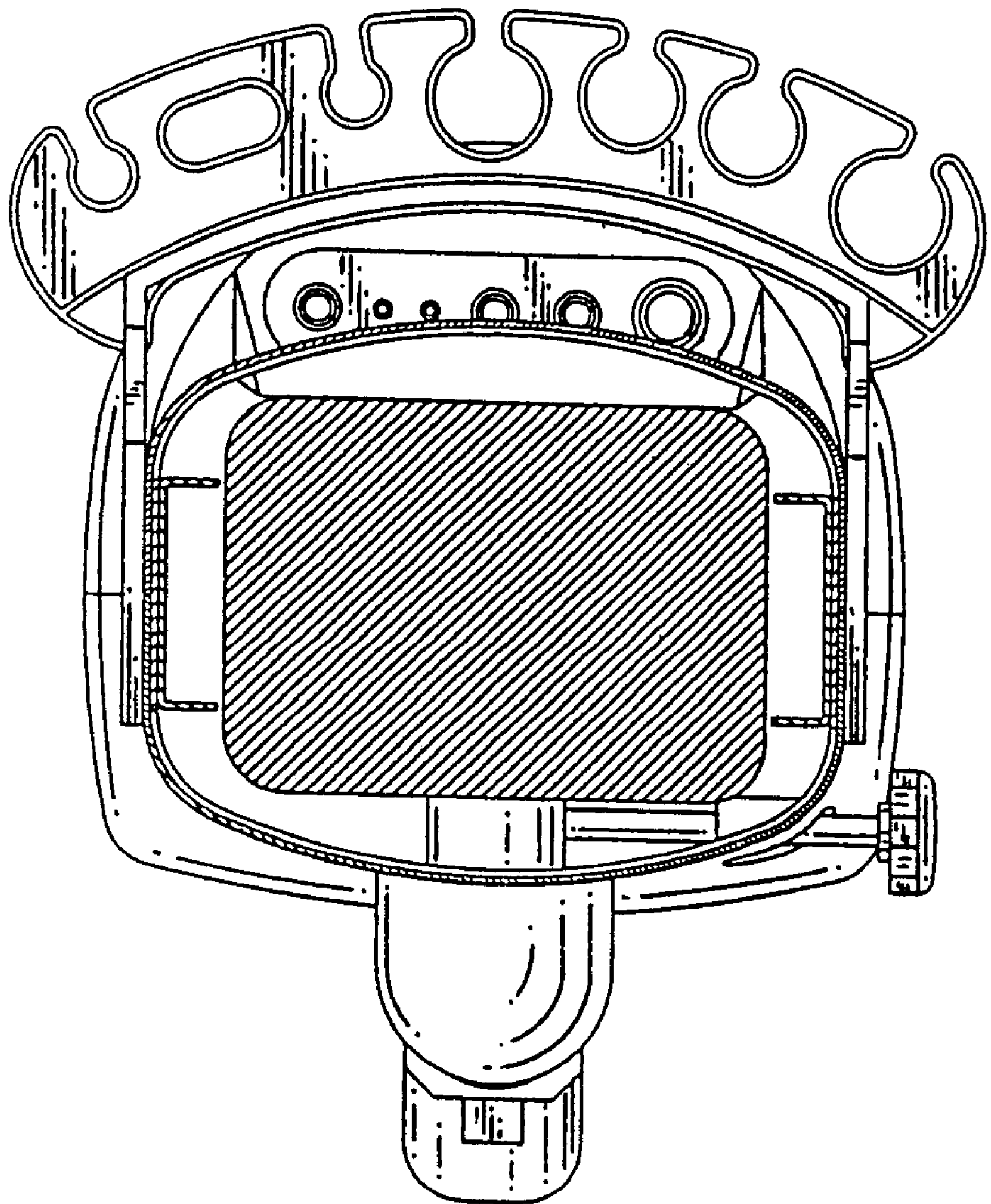


Fig.9

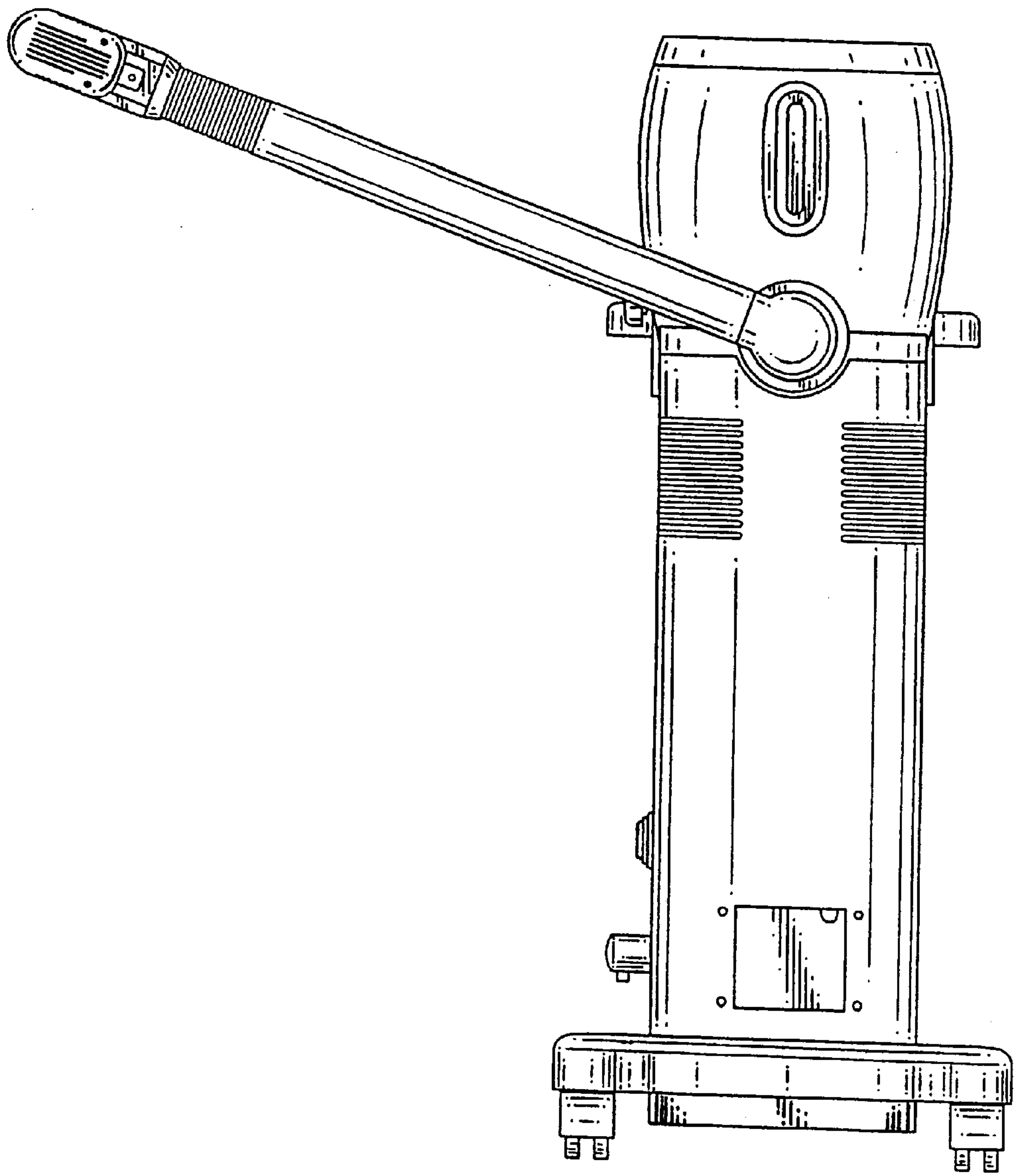




Fig.10

