



US00D448521B1

(12) **United States Design Patent**
Angeletta

(10) **Patent No.:** **US D448,521 S**

(45) **Date of Patent:** **** Sep. 25, 2001**

(54) **LIQUID AND LOTION APPLICATOR**

(76) Inventor: **Joseph G. Angeletta**, 418 Fifth St.,
Mamaroneck, NY (US) 10543

(**) Term: **14 Years**

(21) Appl. No.: **29/136,058**

(22) Filed: **Jan. 24, 2001**

(51) **LOC (7) Cl.** **28-02**

(52) **U.S. Cl.** **D28/7**

(58) **Field of Search** D28/7, 76; D9/338,
D9/504, 529, 424; D32/45, 51, 52; D19/70,
71; 206/385, 581, 823, 208, 213, 218, 219,
220; 401/49, 60, 61, 89, 98, 202, 205; 132/317,
318, 320; 115/244.1

(56) **References Cited**

U.S. PATENT DOCUMENTS

D. 252,250	*	7/1979	Hobbs	D32/45
D. 313,553	*	1/1991	Lewis, Jr.	D9/338
D. 323,568	*	1/1992	Hackler	D28/63
D. 357,810	*	5/1995	Evans	D4/114
D. 374,947	*	10/1996	Chiaromonte	D28/7
D. 384,436	*	9/1997	Kelley	D28/7
D. 394,331	*	5/1998	Price	D28/63
D. 417,033	*	11/1999	Sachs et al.	D28/7
D. 434,525	*	11/2000	Angeletta	D28/7
3,103,682	*	9/1963	Markle	15/244.1
5,931,591	*	8/1999	McCracken	401/6
5,961,235	*	10/1999	Kennedy	401/6

* cited by examiner

Primary Examiner—Paula A. Mortimer

(74) *Attorney, Agent, or Firm*—Scully, Scott, Murphy &
Presser

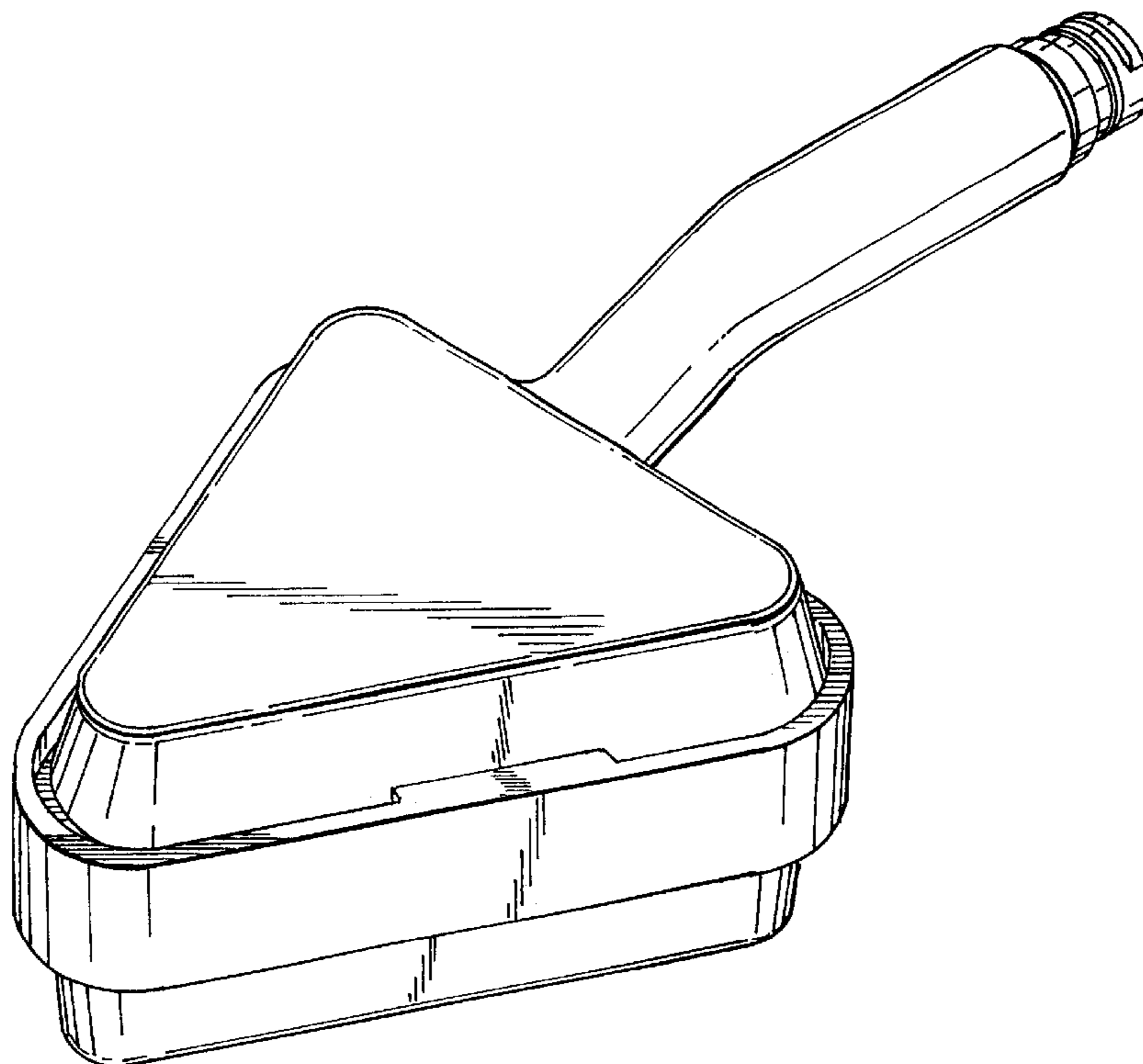
(57) **CLAIM**

The ornamental design for a liquid and lotion applicator, as shown and described.

DESCRIPTION

FIG. 1 illustrates a perspective view of the liquid and lotion showing my new and ornamental design;
 FIG. 2 illustrates a bottom plan view thereof;
 FIG. 3 illustrates a side view the opposite side being a mirror-image thereof;
 FIG. 4 illustrates a top plan view thereof;
 FIG. 5 illustrates a perspective view thereof with a cover mounted thereon;
 FIG. 6 illustrates a side view thereof, the opposite side being a mirror-image thereof;
 FIG. 7 illustrates a bottom plan view thereof;
 FIG. 8 is a top plan view of the cover for a liquid and lotion application shown separately for ease of illustration;
 FIG. 9 is a side elevational view thereof, the opposite side is a mirror image;
 FIG. 10 is a bottom plan view thereof;
 FIG. 11 illustrates an exploded perspective view of the components of the liquid and lotion applicator; and,
 FIG. 12 illustrates the assembled components thereof.
 The broken line showing of replaceable applicator in FIG. 11 is for illustrative purposes only and forms no part of the claimed design.

1 Claim, 7 Drawing Sheets



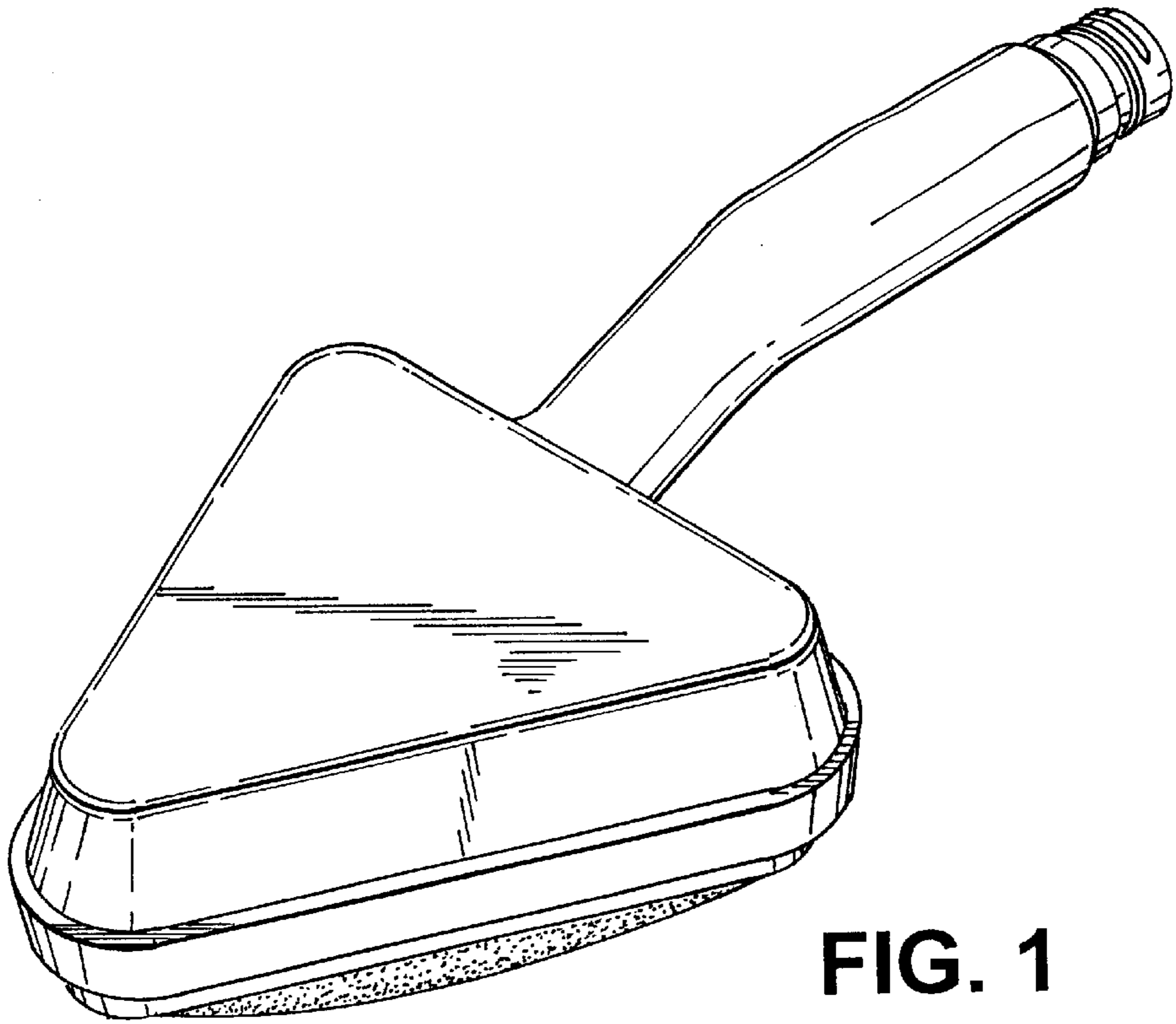


FIG. 1

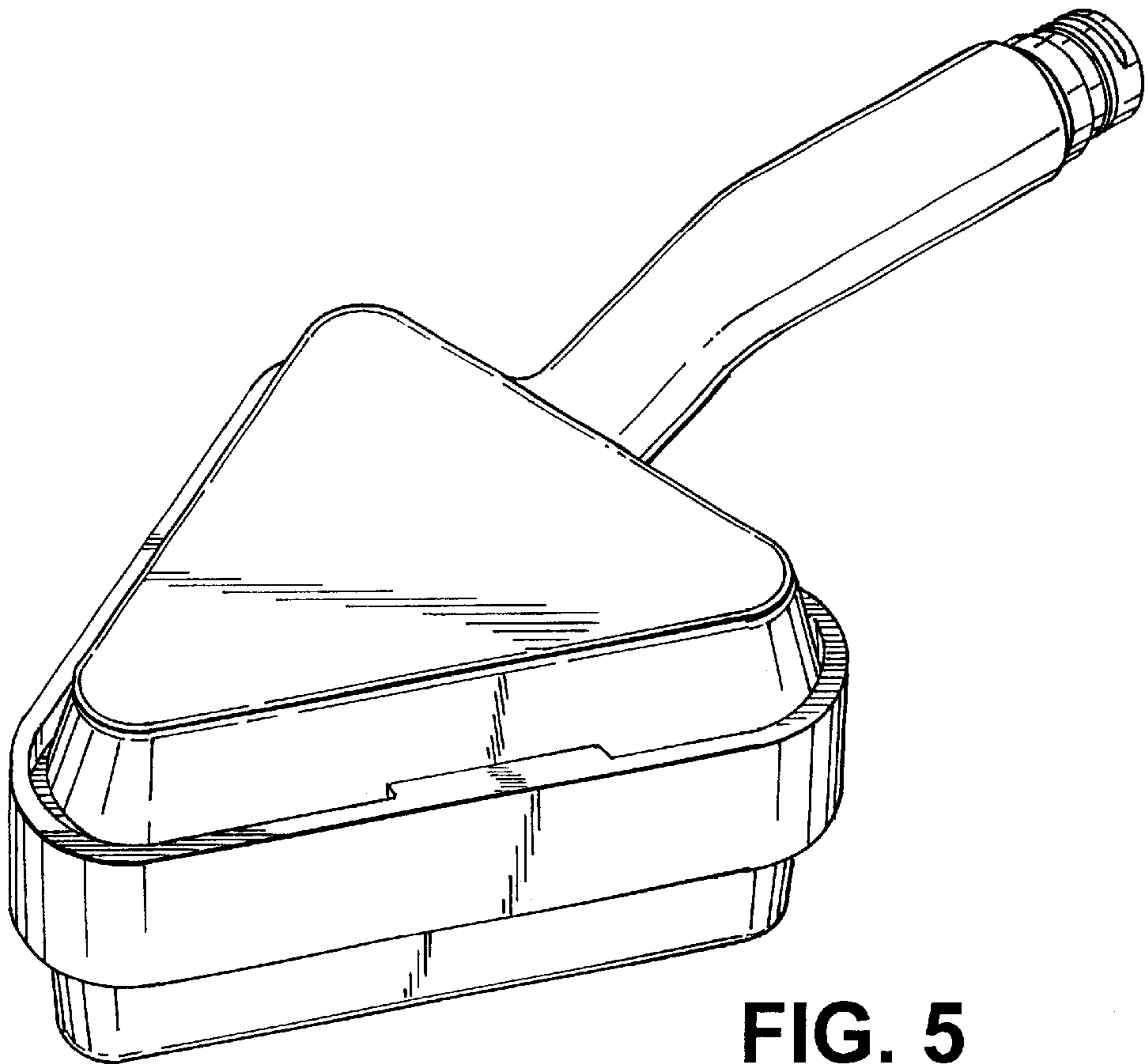


FIG. 5

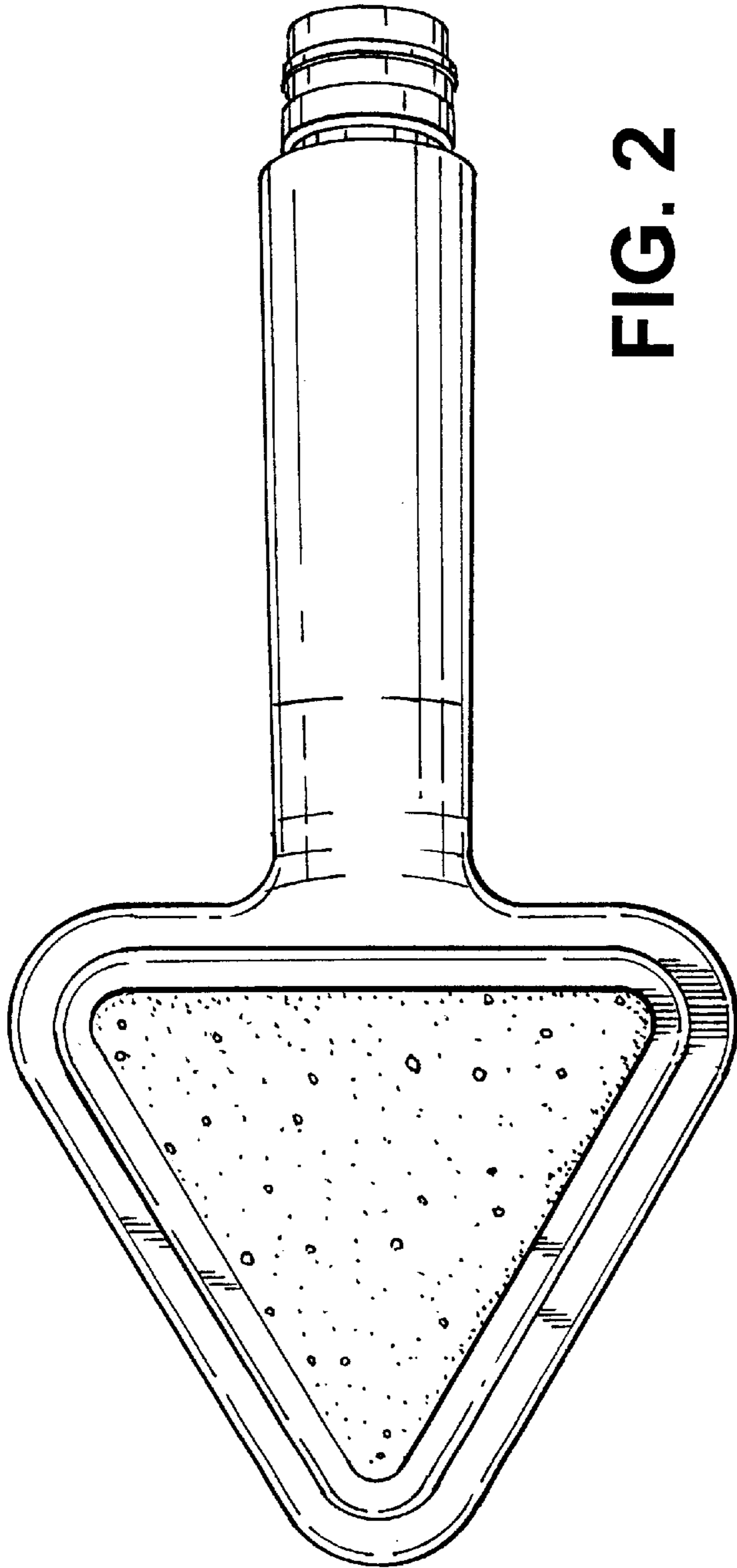


FIG. 2

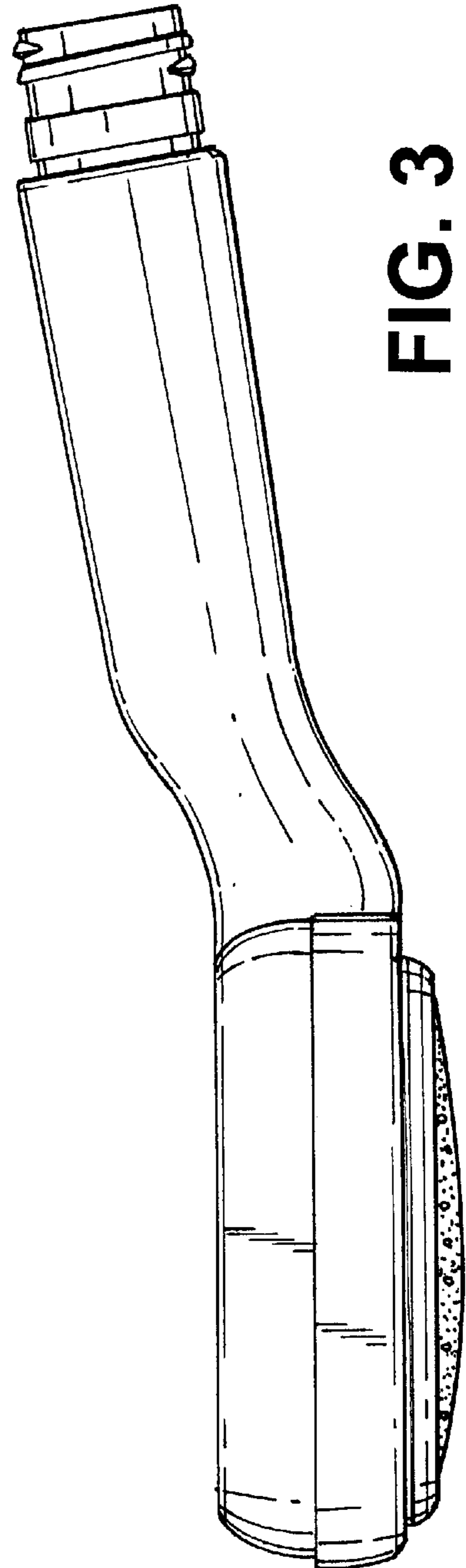


FIG. 3

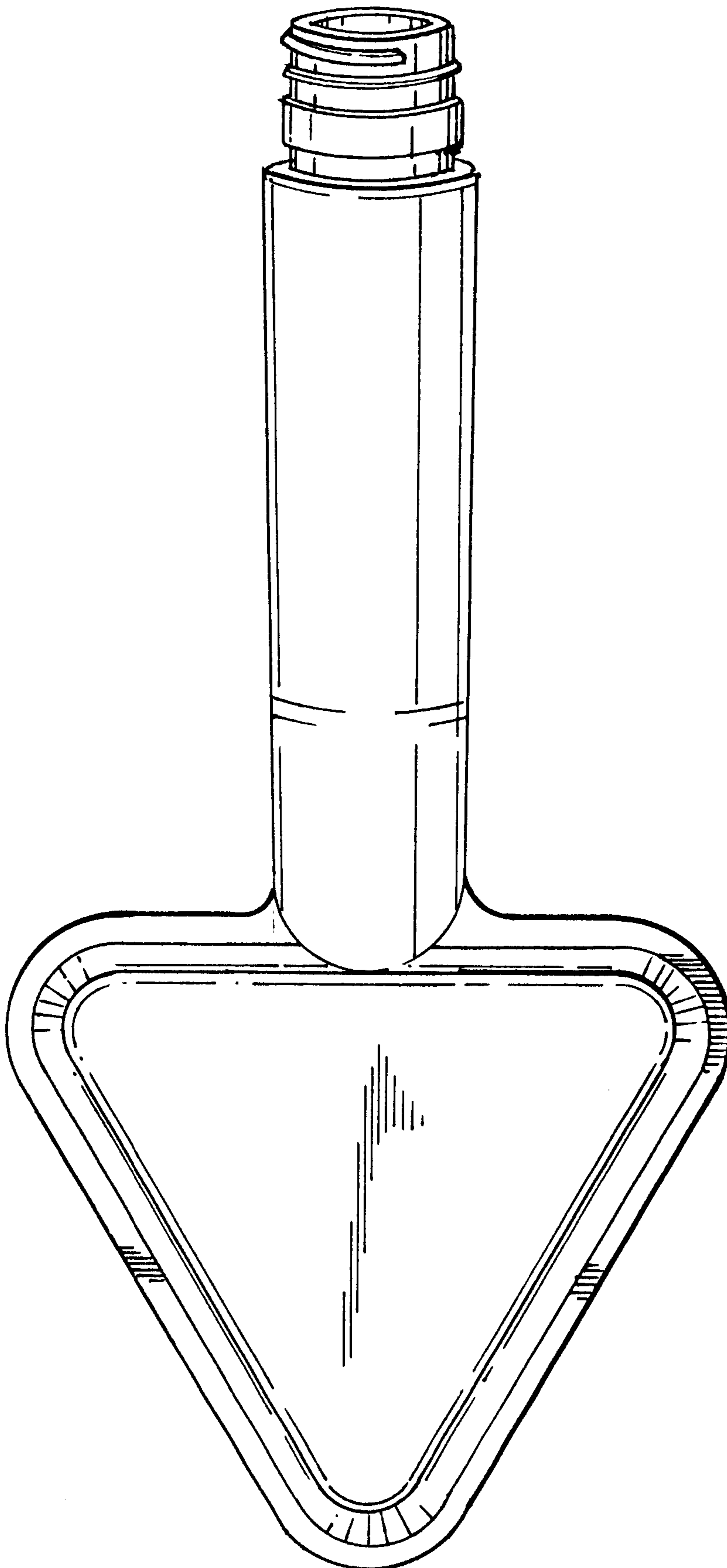


FIG. 4

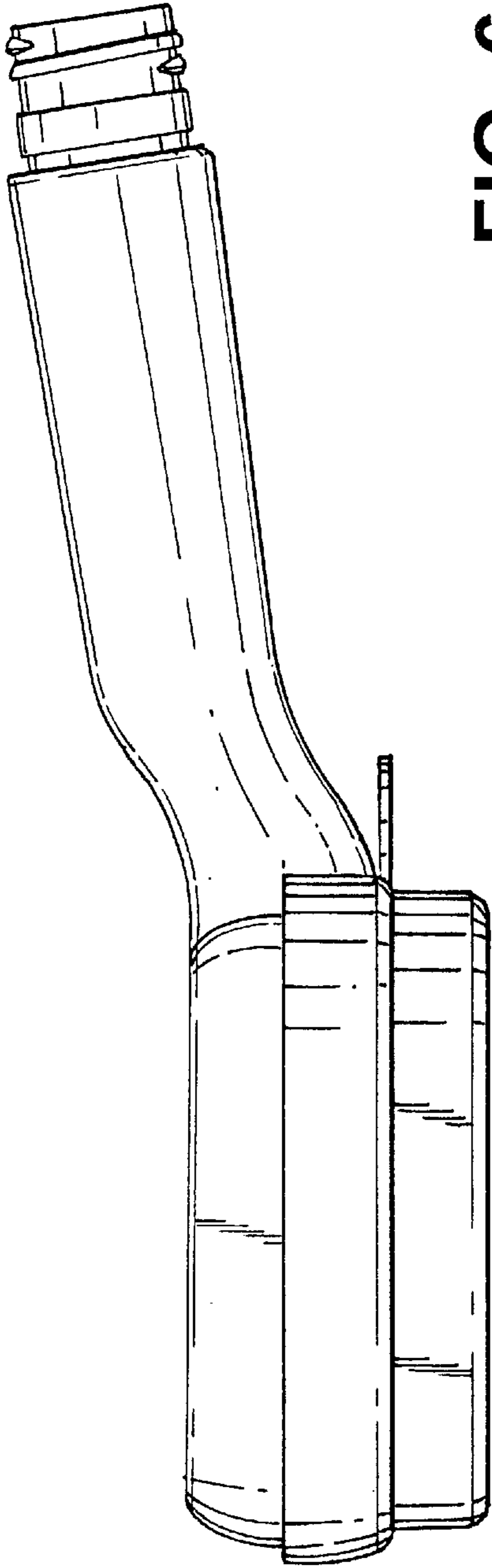


FIG. 6

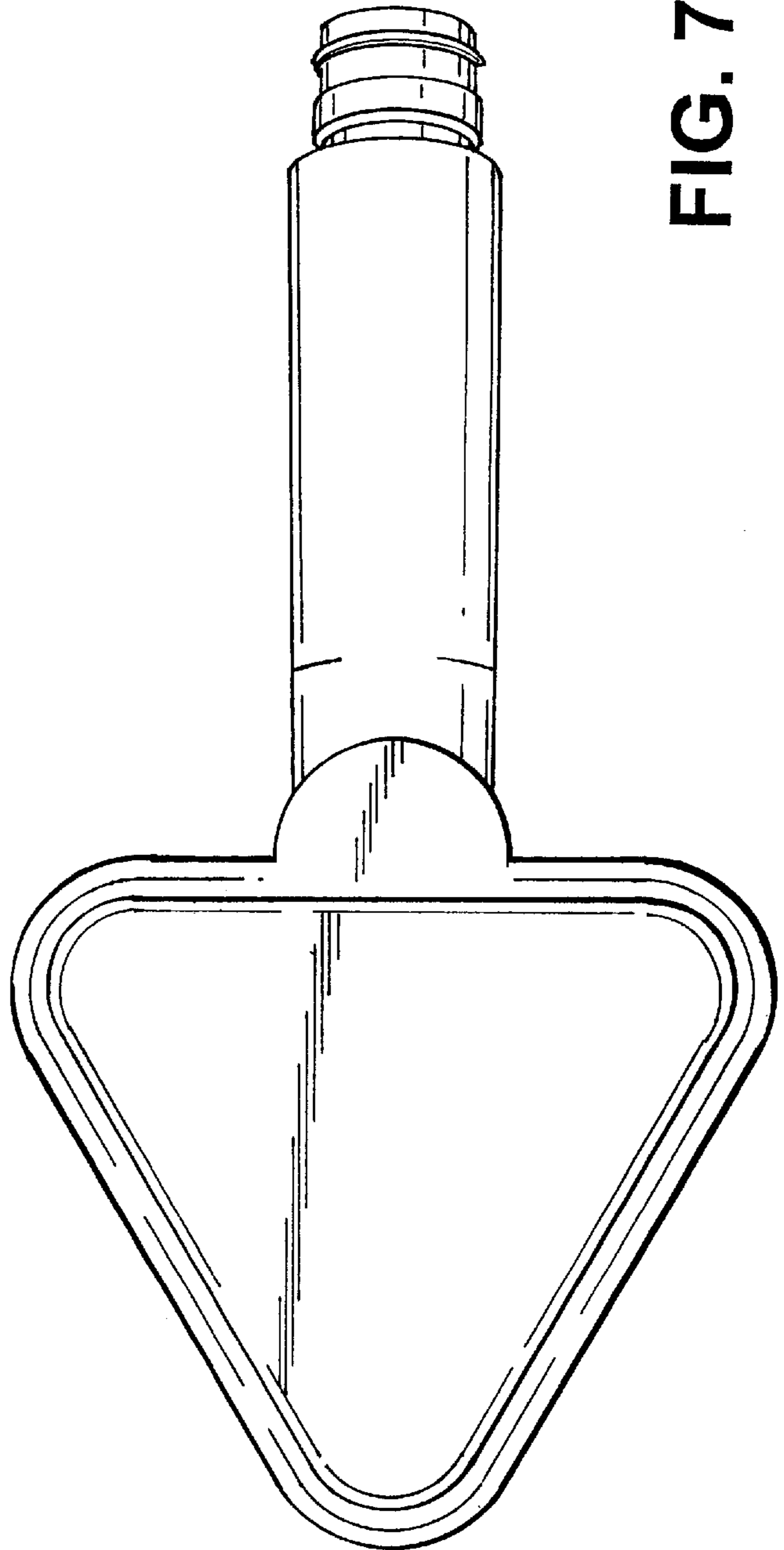


FIG. 7

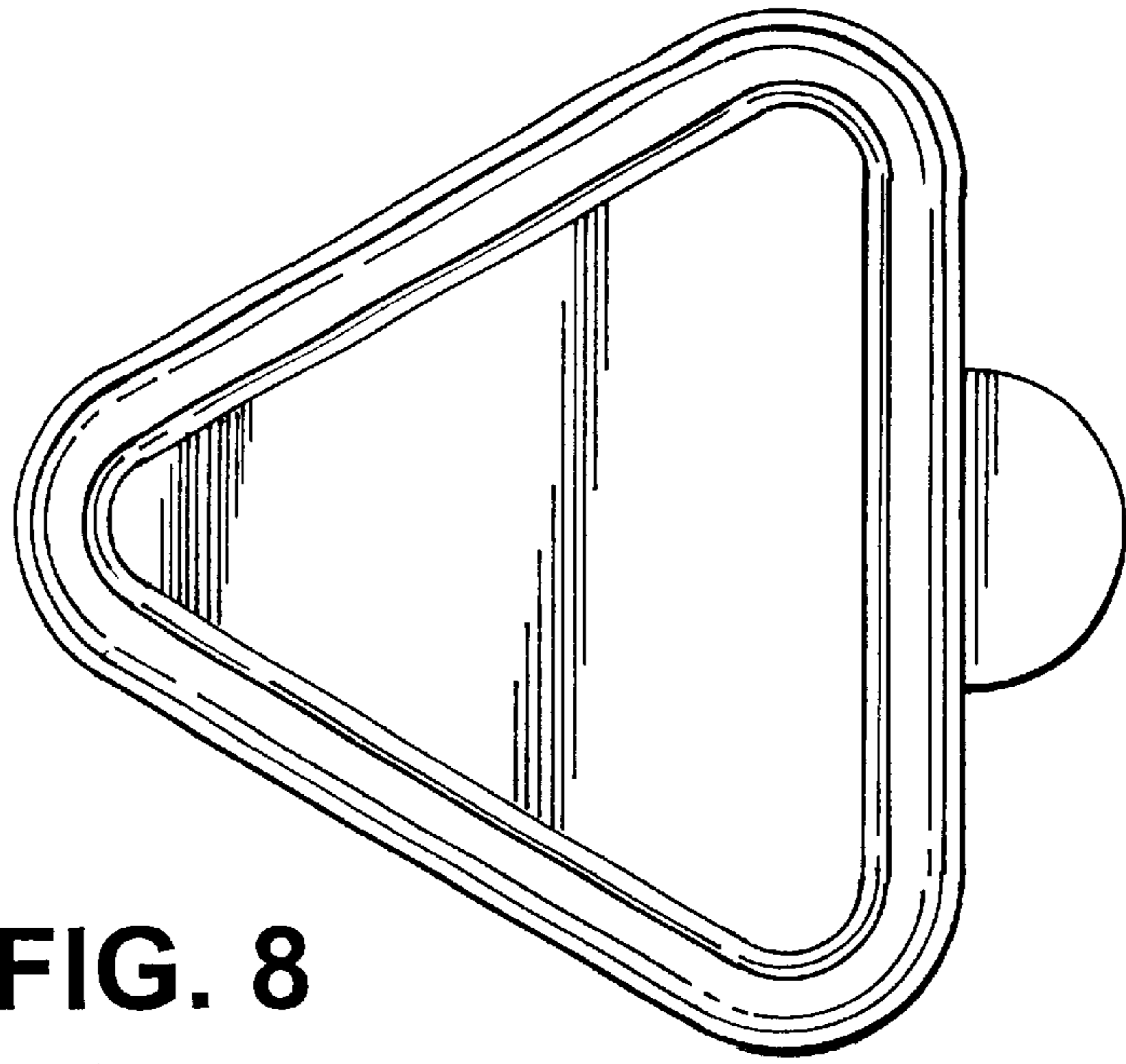


FIG. 8

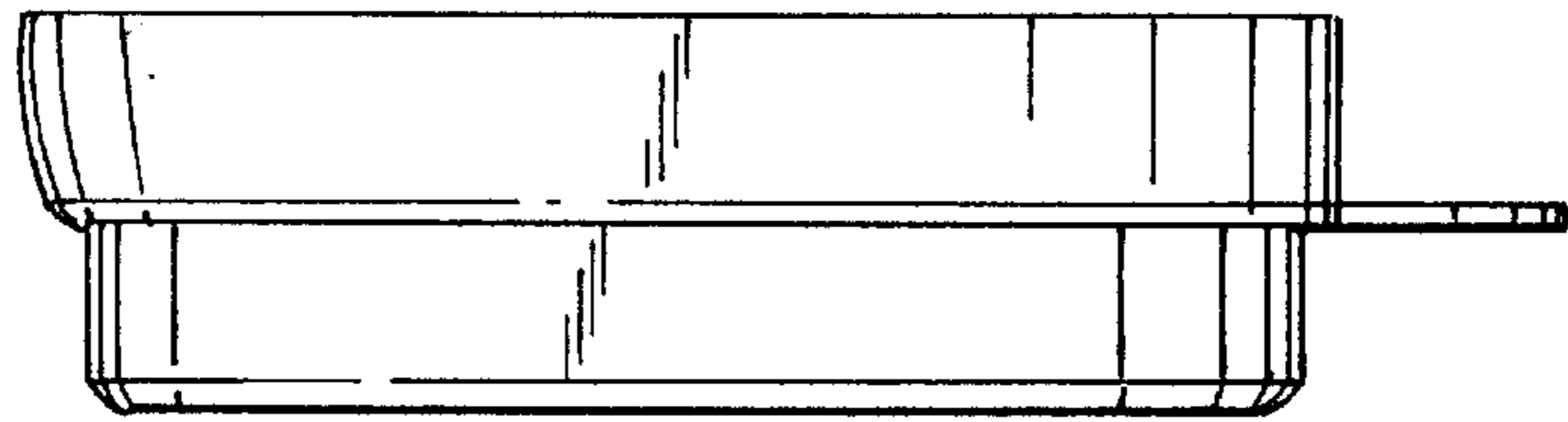


FIG. 9

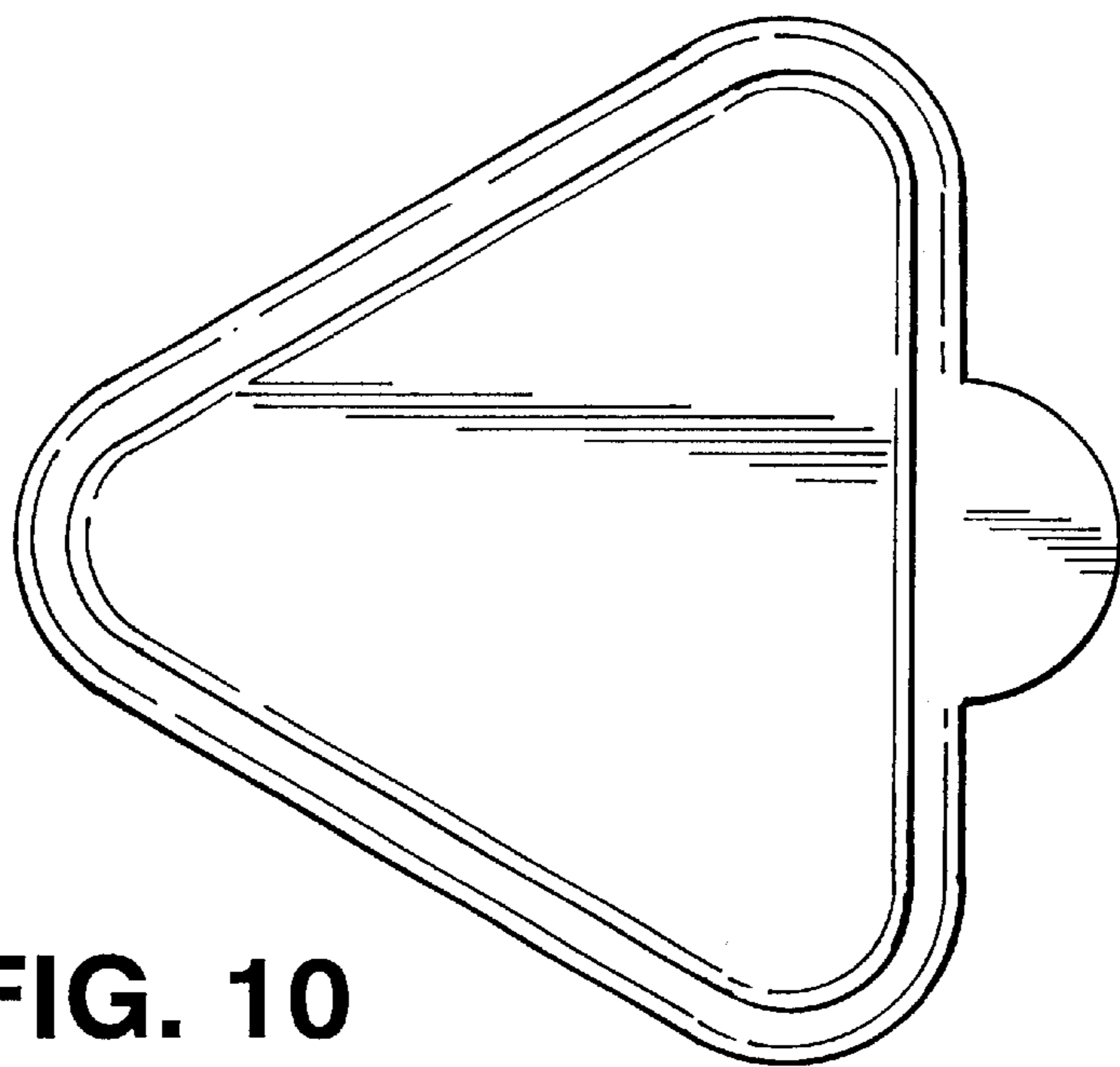


FIG. 10

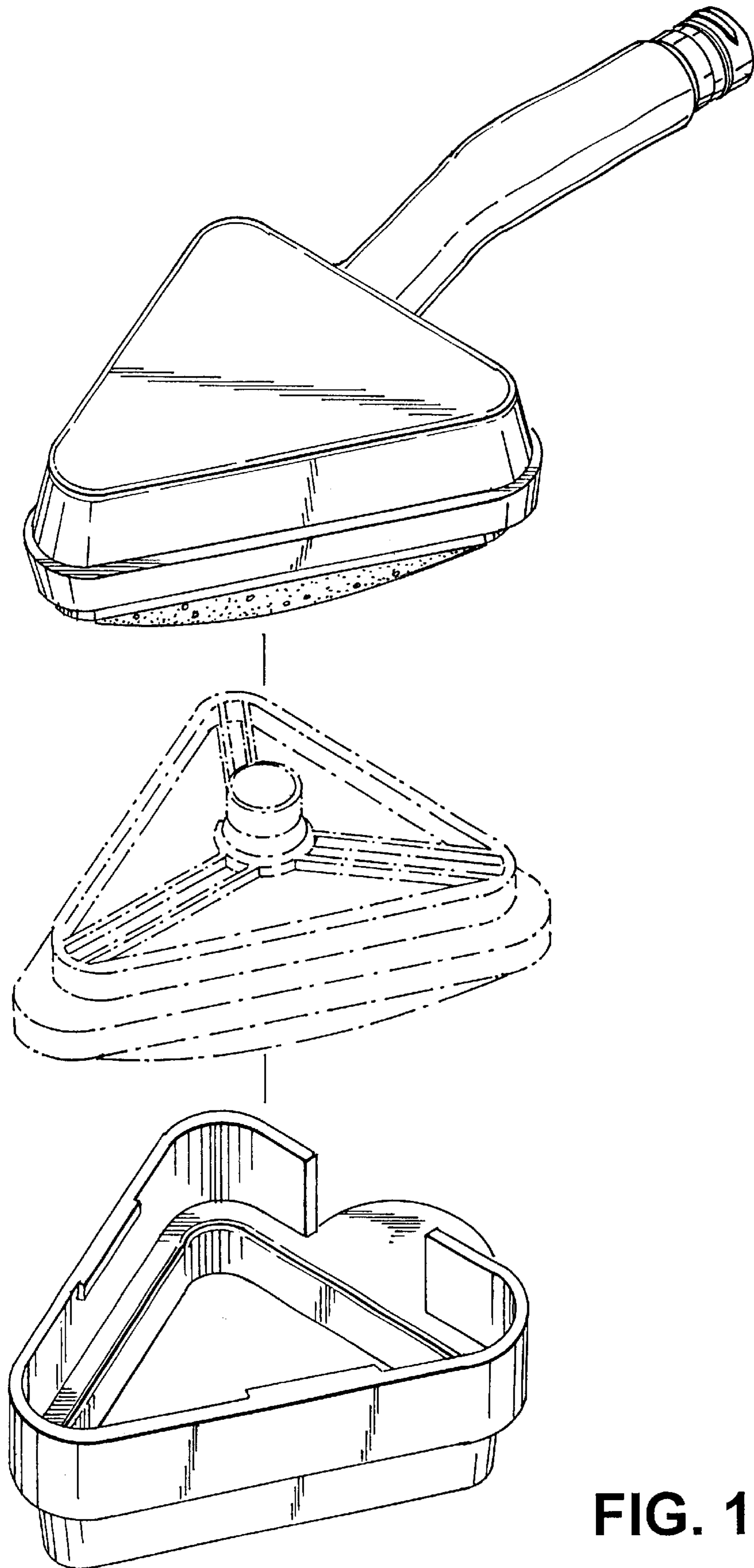


FIG. 11

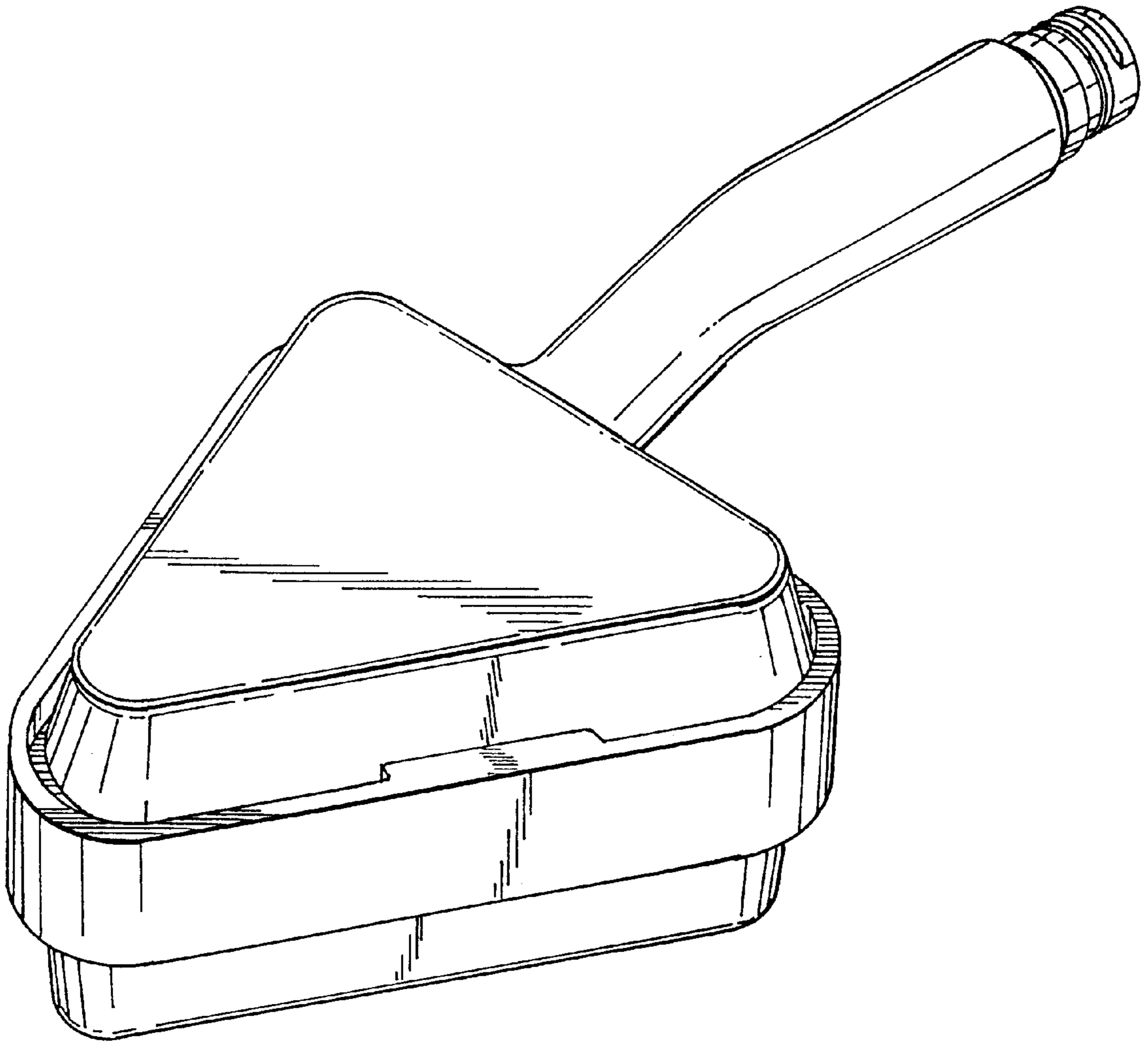


FIG. 12