



US00D448518B1

(12) **United States Design Patent**
Long et al.

(10) **Patent No.:** **US D448,518 S**

(45) **Date of Patent:** **** Sep. 25, 2001**

(54) **LANTERN**

(75) Inventors: **Richard Long**, Wichita; **Gary Israel**,
Andover, both of KS (US)

(73) Assignee: **The Coleman Company Inc.**, Wichita,
KS (US)

(**) Term: **14 Years**

(21) Appl. No.: **29/123,249**

(22) Filed: **May 15, 2000**

(51) **LOC (7) Cl.** **26-99**

(52) **U.S. Cl.** **D26/114; D26/40**

(58) **Field of Search** D26/114, 40; 362/161,
362/162, 163

(56) **References Cited**

U.S. PATENT DOCUMENTS

D. 427,362	*	6/2000	Rose	D26/114
5,722,763	*	3/1998	Chen	362/163
5,758,949	*	6/1998	Deursen	362/162

OTHER PUBLICATIONS

Early Winters catalog; Alpinist's Lantern p. 23.*

* cited by examiner

Primary Examiner—Robin V. Taylor

(74) *Attorney, Agent, or Firm*—Kramer Levin Naftalis &
Frankel, LLP.

(57) **CLAIM**

The ornamental design for a lantern, as shown and
described.

DESCRIPTION

FIG. 1 is a front perspective view showing the new design;

FIG. 2 is a side elevation view thereof;

FIG. 3 is a side elevation view thereof, showing the opposite
side of FIG. 2;

FIG. 4 is a front elevation view thereof;

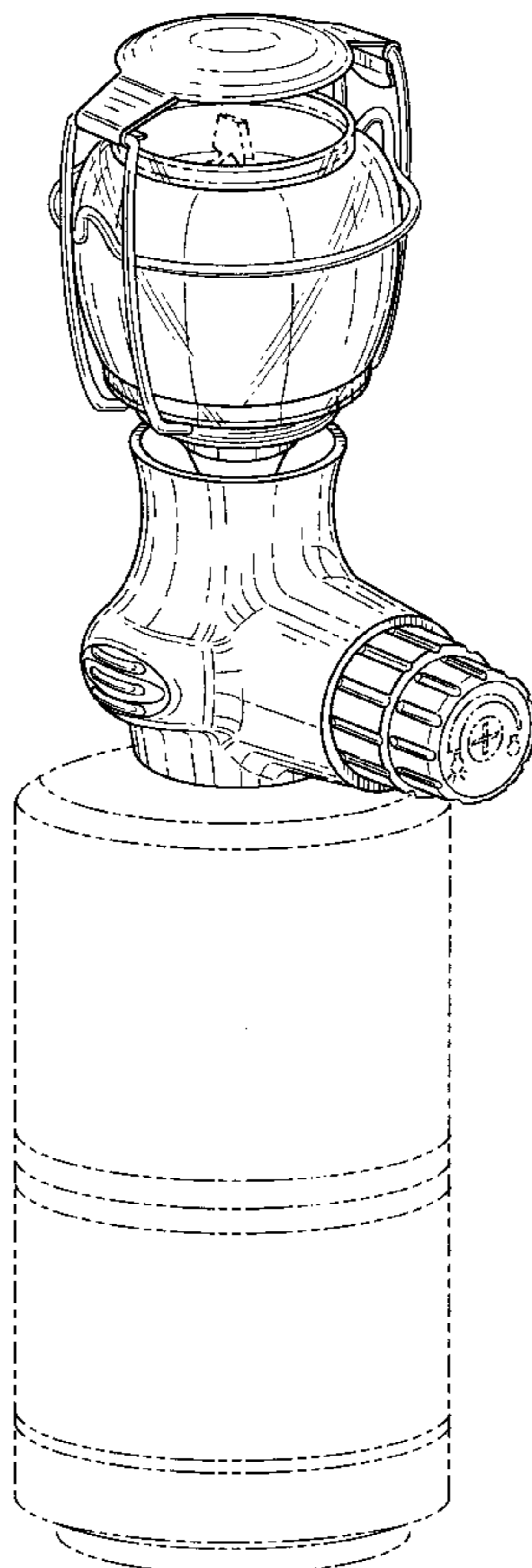
FIG. 5 is a rear elevation view thereof;

FIG. 6 is a top plan view thereof; and,

FIG. 7 is a bottom plan view thereof.

The broken line showing is for illustrative purposes only and
forms no part of the claimed design.

1 Claim, 6 Drawing Sheets



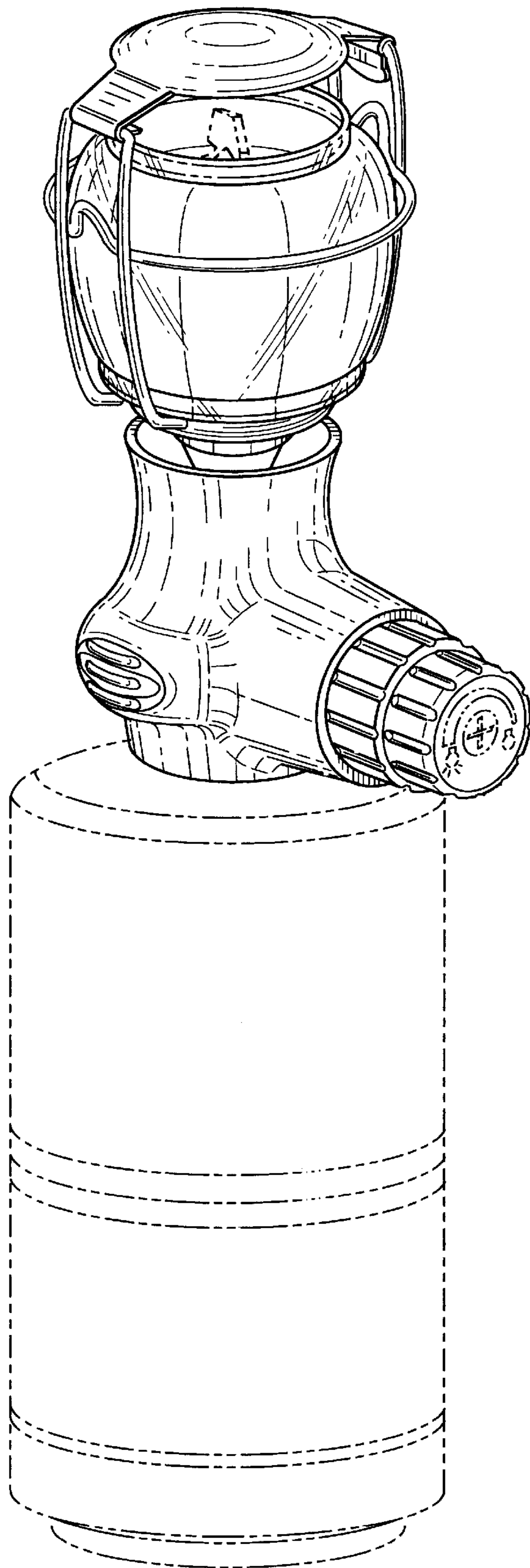


FIG. 1

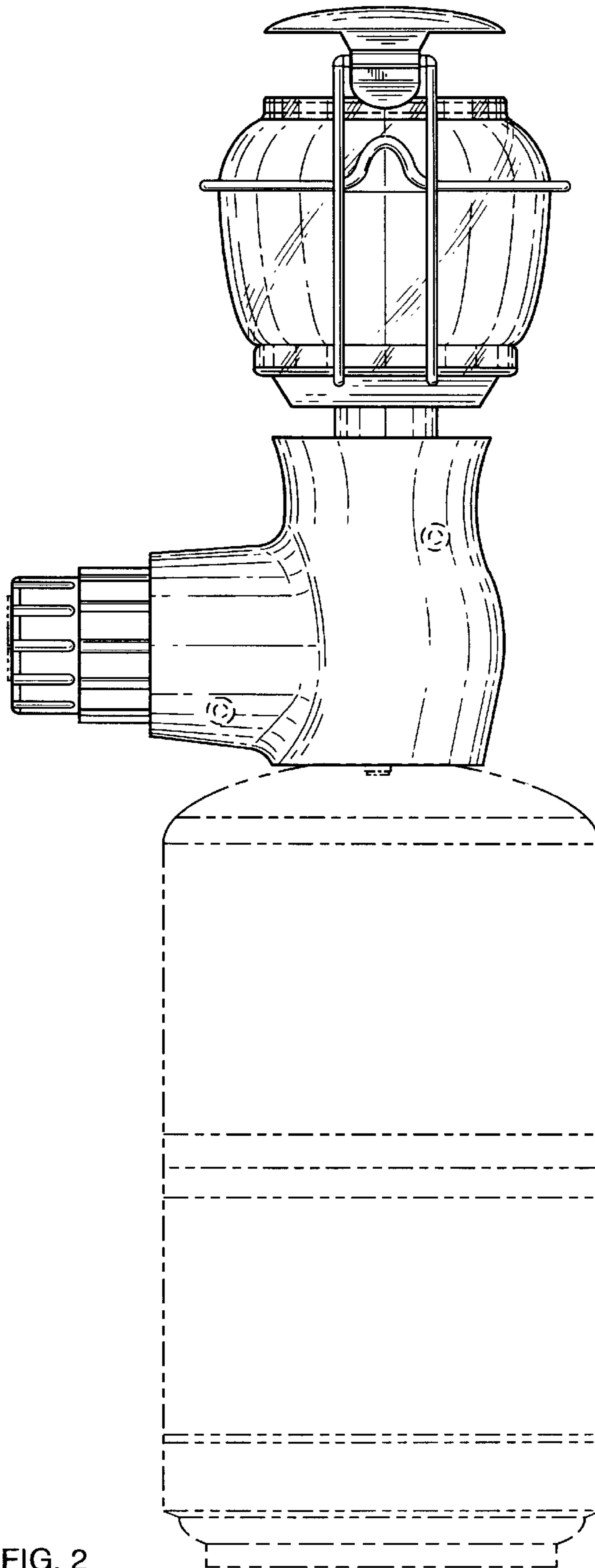


FIG. 2

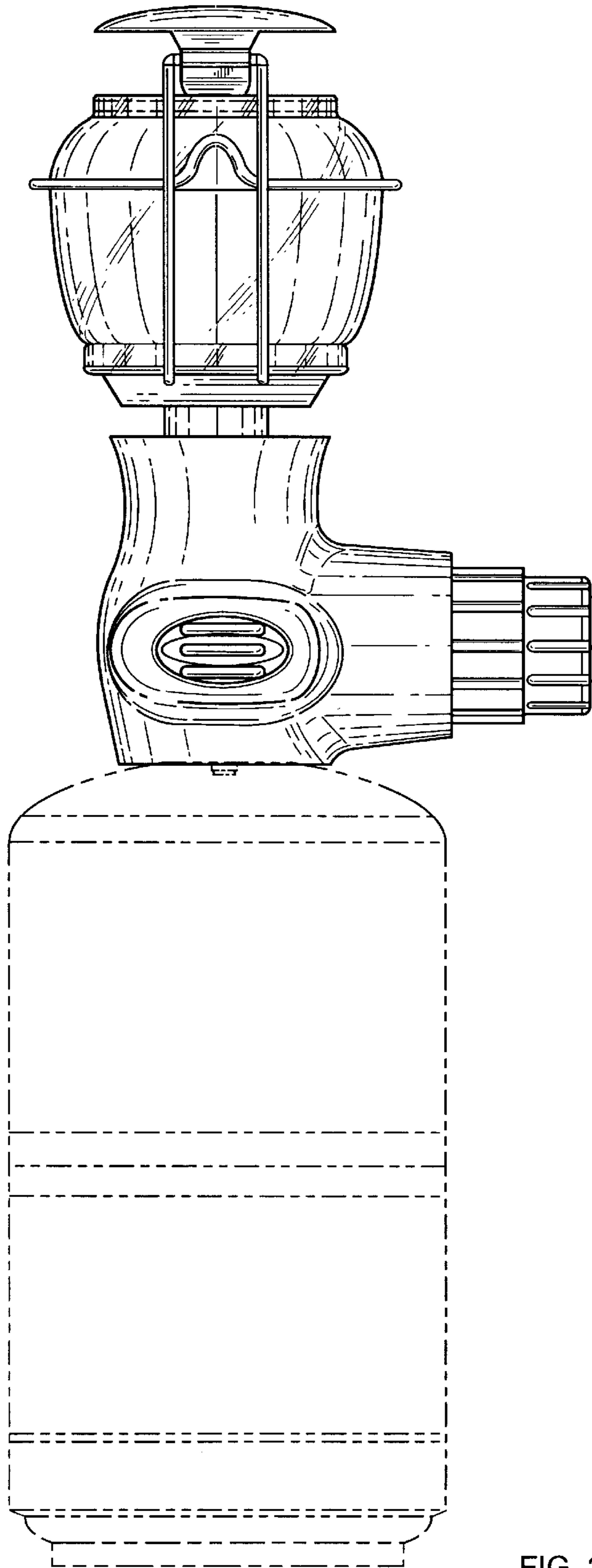


FIG. 3

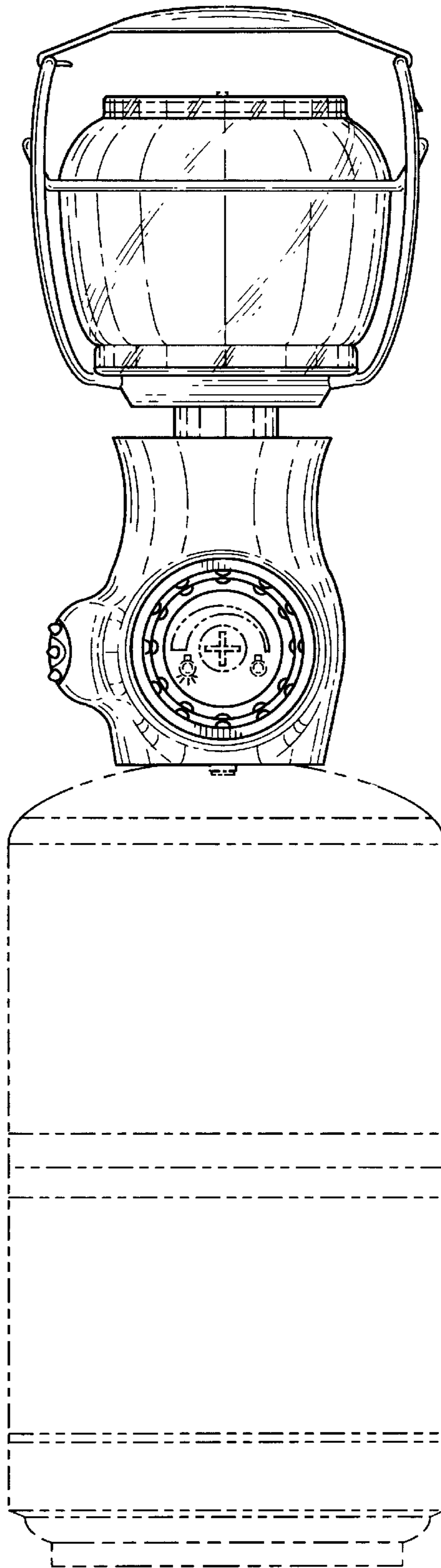


FIG. 4

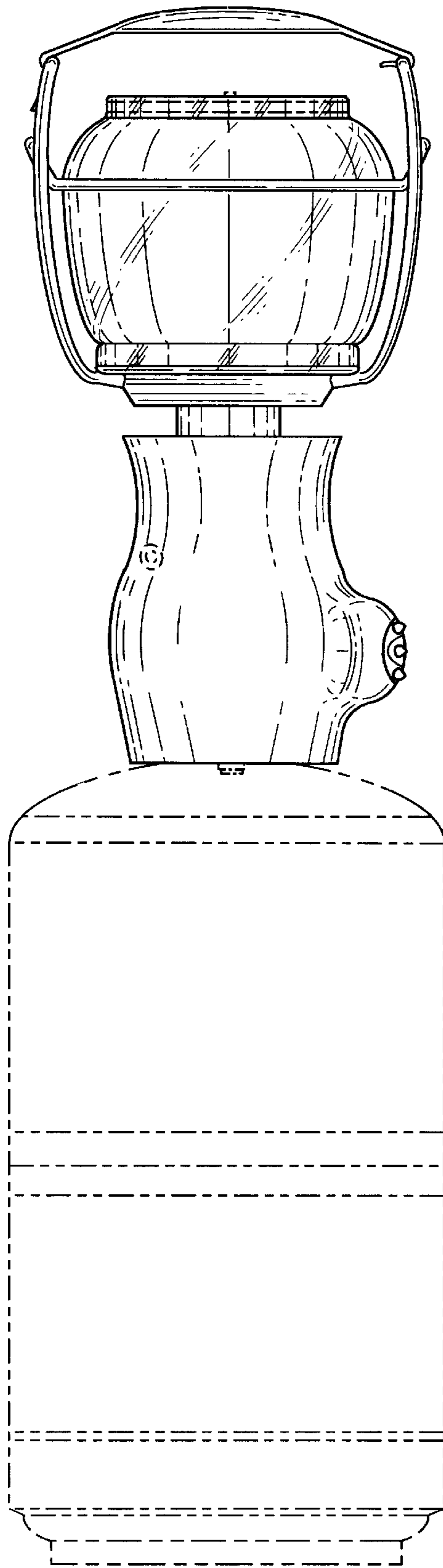


FIG. 5

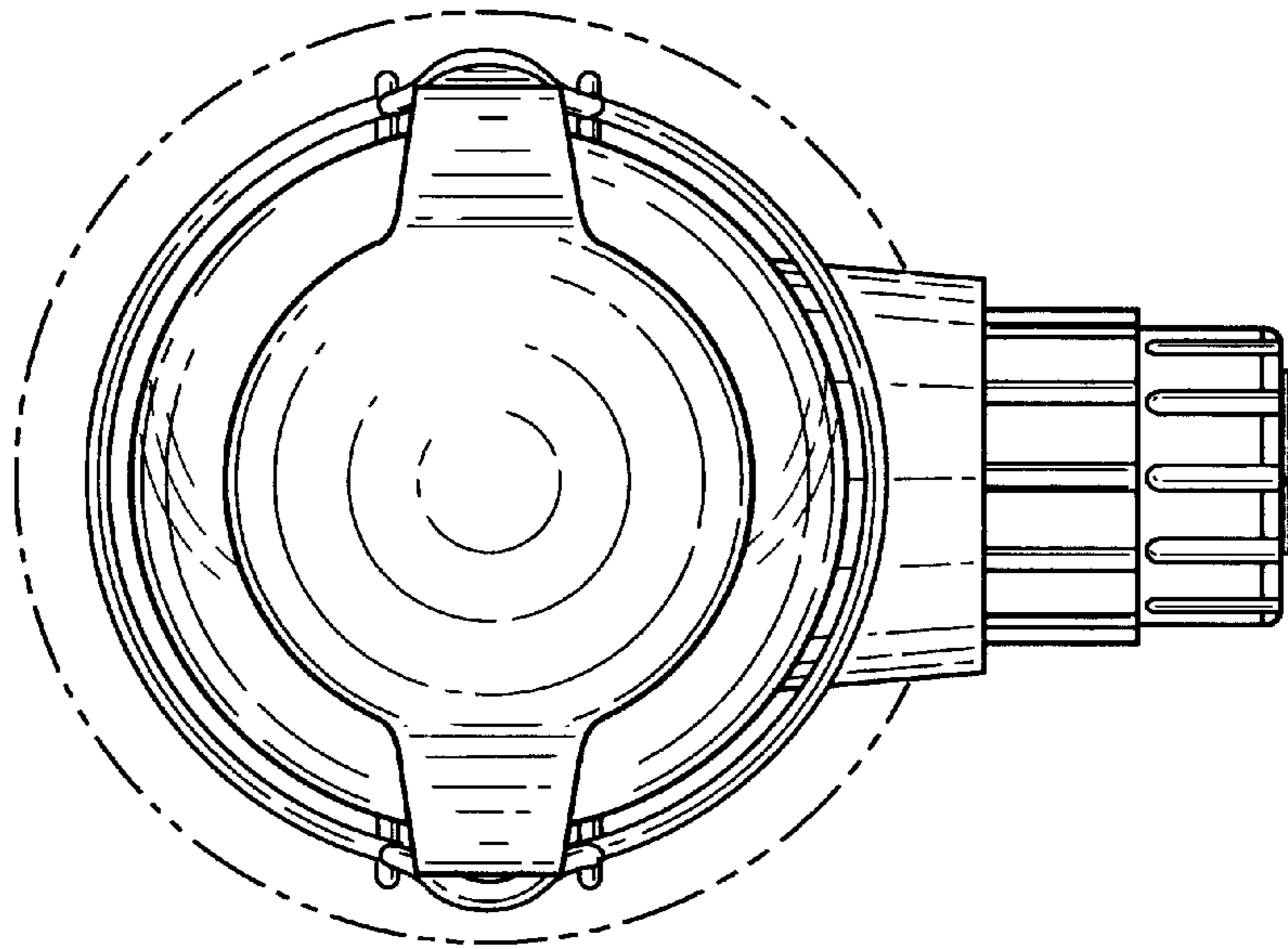


FIG. 6

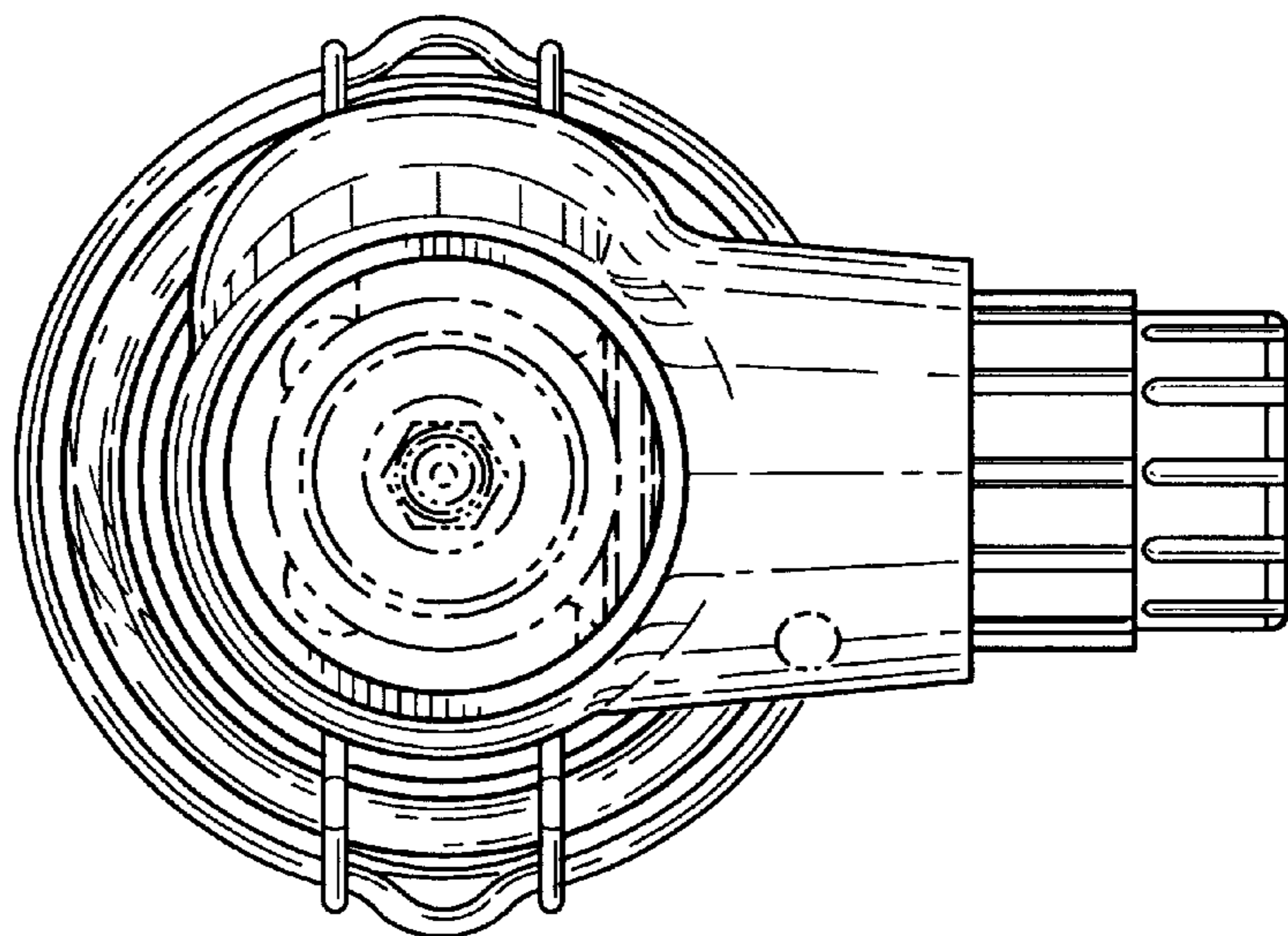


FIG. 7