



US00D448517B1

(12) **United States Design Patent**
Orozco

(10) **Patent No.:** **US D448,517 S**

(45) **Date of Patent:** **** Sep. 25, 2001**

(54) **LAMP**

(75) Inventor: **Sergio J. Orozco**, West New York, NJ
(US)

(73) Assignee: **Quoizel, Inc.**, Goose Creek, SC (US)

(**) Term: **14 Years**

(21) Appl. No.: **29/132,284**

(22) Filed: **Nov. 6, 2000**

(51) **LOC (7) Cl.** **26-03**

(52) **U.S. Cl.** **D26/110**

(58) **Field of Search** D26/92-112, 142;
362/410-414

(56) **References Cited**

U.S. PATENT DOCUMENTS

- D. 58,408 * 7/1921 Strahan et al. D26/101
- D. 355,045 * 1/1995 Drucker D26/110
- D. 367,126 * 2/1996 Drucker D26/93
- 1,253,765 * 1/1918 Abramson 362/414 X

OTHER PUBLICATIONS

Home Lighting & Accessories, Oct. 1996, lamp bases on p. 155.*

Speer Collectibles 1990 catalog, lamp base No. 2156/41 on p. 89.*

Item No. 8720 PB, Catalog p. 237, Murray Feiss catalog.
Item No. 8724 PB, Catalog p. 236, Murray Feiss catalog.

* cited by examiner

Primary Examiner—Alan P. Douglas

Assistant Examiner—Linda Brooks

(74) *Attorney, Agent, or Firm*—Nelson Mullins Riley & Scarborough

(57) **CLAIM**

The ornamental design for a lamp, substantially as shown and described.

DESCRIPTION

FIG. 1 is a perspective view of a lamp embodying the design of the present invention.

FIG. 2 is a front side elevational view of the lamp illustrated in FIG. 1, with the right side elevational view, left side elevational view and back side elevational view being identical thereto.

FIG. 3 is a top view of the lamp of FIG. 1; and,

FIG. 4 is a bottom view of the lamp of FIG. 1.

The lamp shade and pull cord shown in broken lines do not form part of the claimed design.

1 Claim, 4 Drawing Sheets

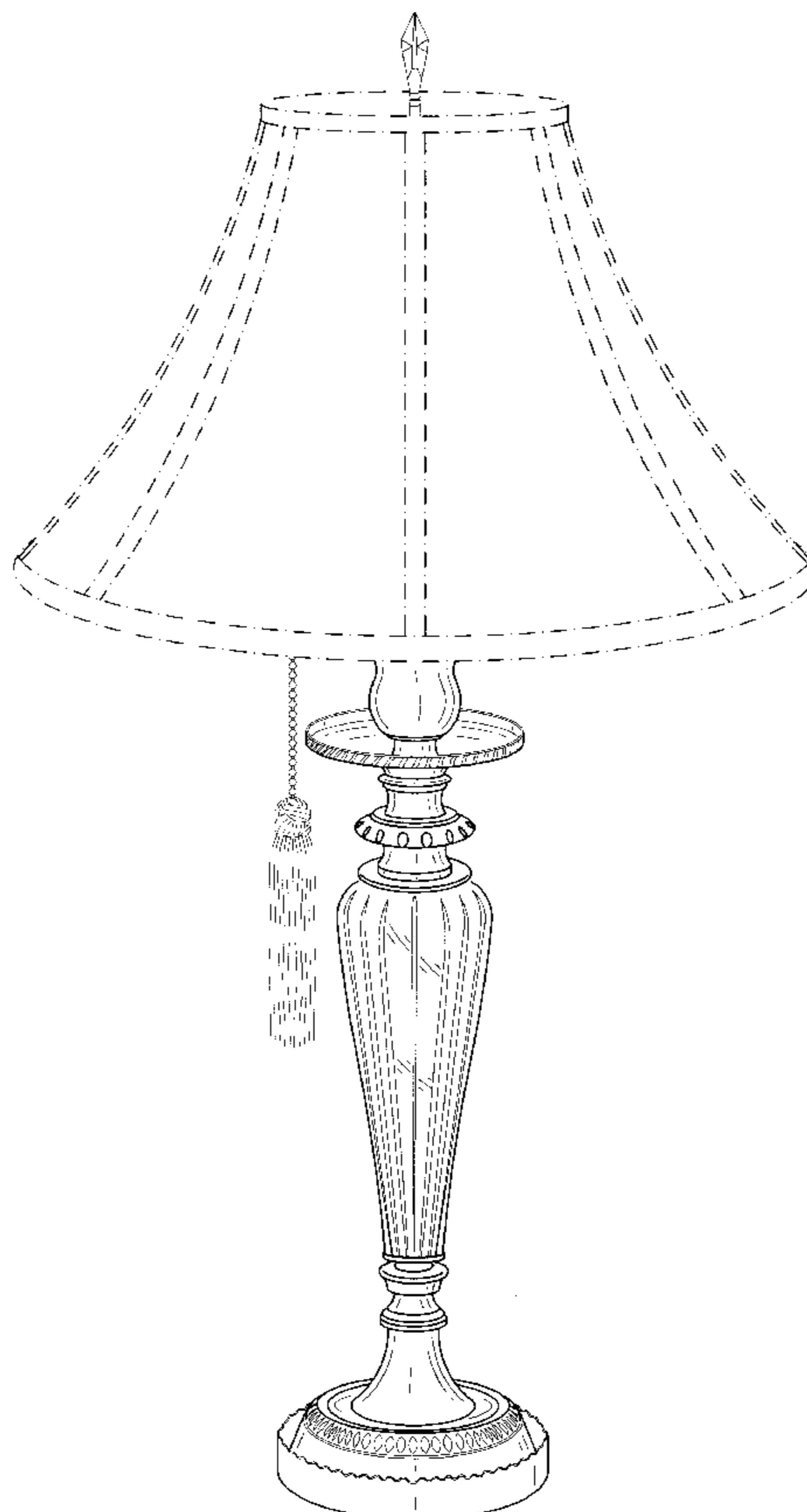


FIG. 1

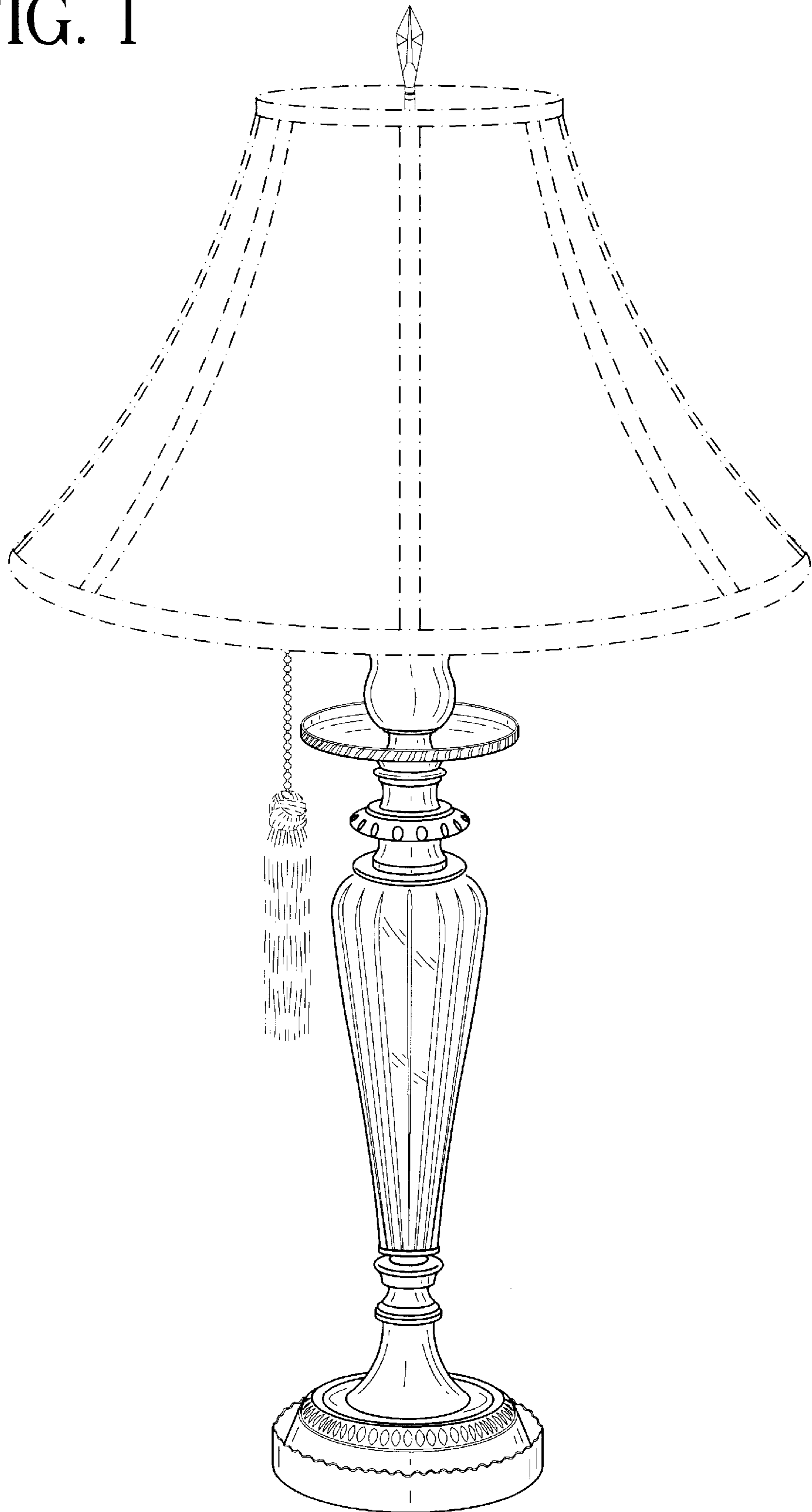


FIG. 2

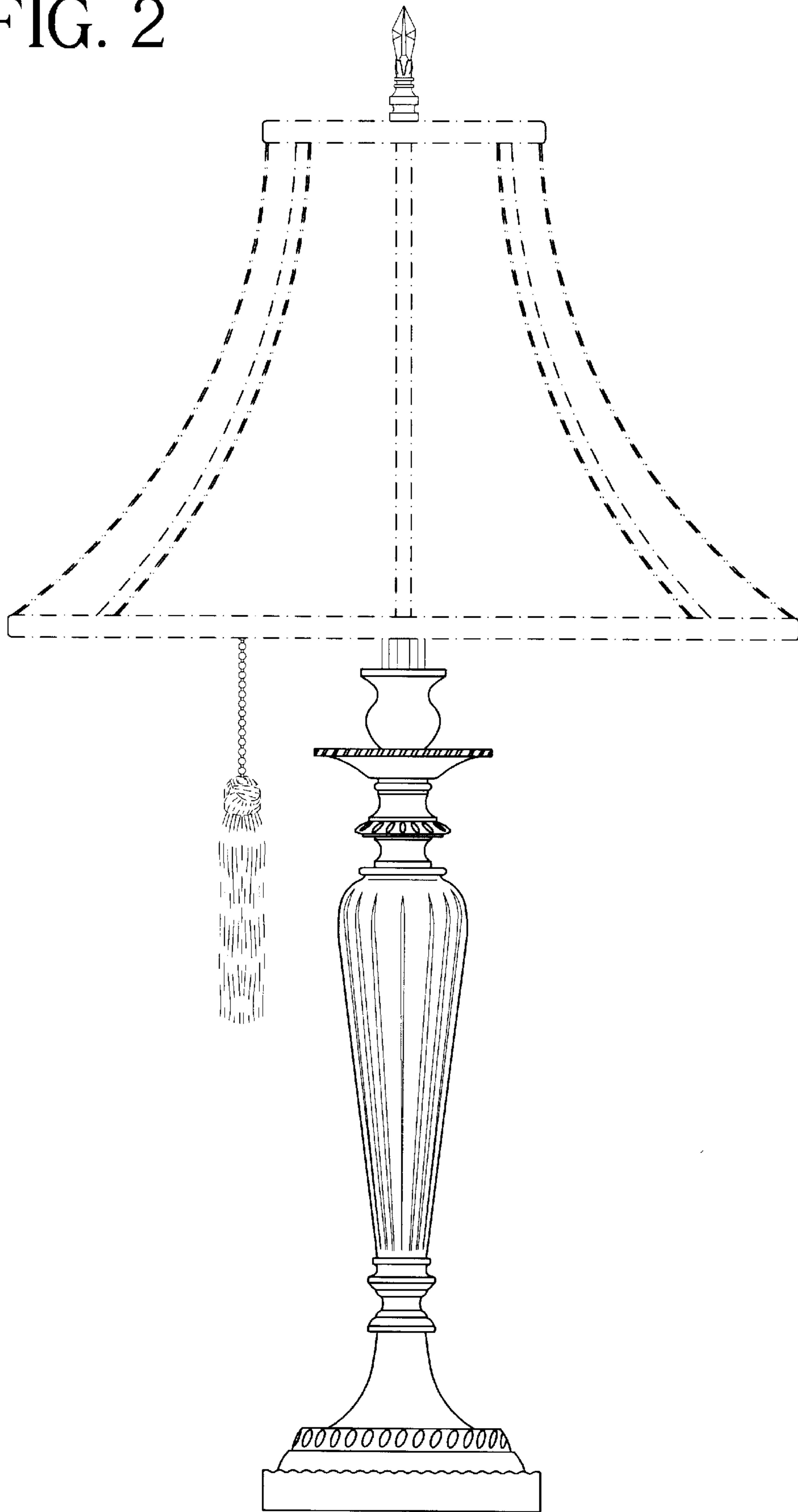


FIG. 3

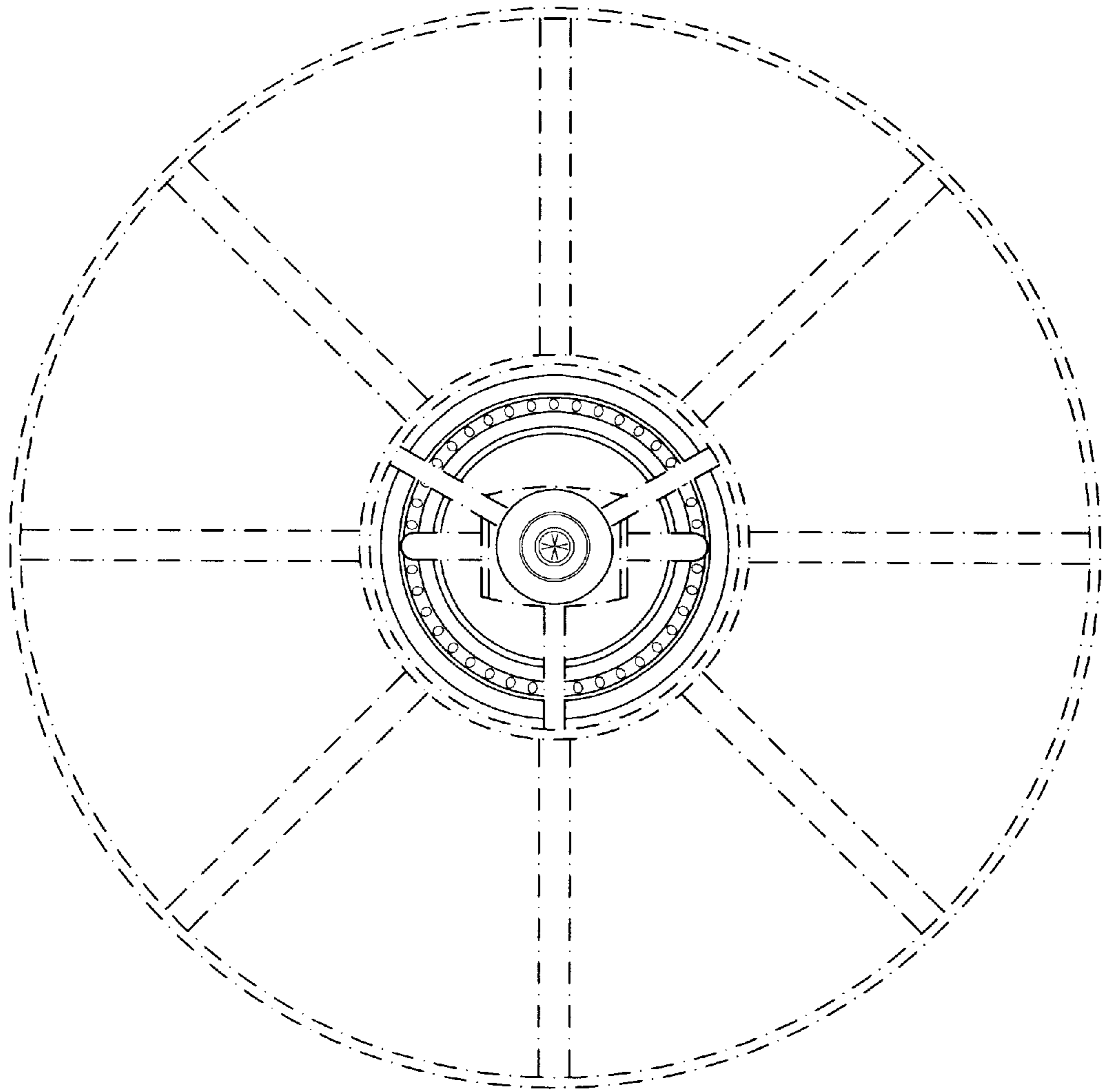


FIG. 4

