



US00D448510B1

(12) **United States Design Patent**  
**Milicia**

(10) **Patent No.:** **US D448,510 S**

(45) **Date of Patent:** **\*\* Sep. 25, 2001**

(54) **OUTDOOR LIGHTING FIXTURE**

(75) Inventor: **Libbe A. Milicia**, North Royalton, OH  
(US)

(73) Assignee: **The L. D. Kichler Co.**, Cleveland, OH  
(US)

(\*\*) Term: **14 Years**

(21) Appl. No.: **29/137,450**

(22) Filed: **Feb. 21, 2001**

**Related U.S. Application Data**

(62) Division of application No. 29/110,929, filed on Sep. 16, 1999, now Pat. No. Des. 440,000.

(51) **LOC (7) Cl.** ..... **26-05**

(52) **U.S. Cl.** ..... **D26/67; D26/101**

(58) **Field of Search** ..... D26/67-72, 85-92,  
D26/93-112, 128-137; 362/404-408, 410-414,  
153, 153.1, 431

(56) **References Cited**

**U.S. PATENT DOCUMENTS**

D. 392,763 3/1998 Denison et al. .

**OTHER PUBLICATIONS**

Illuminotecnica May/Jun. 1998 catalog, p. 289.  
Illuminotecnica Sep./Oct. 1997 catalog, p. 292.

*Primary Examiner*—Alan P. Douglas  
*Assistant Examiner*—Linda Brooks

(74) *Attorney, Agent, or Firm*—Watts, Hoffmann, Fisher & Heinke, Co., L.P.A.

(57) **CLAIM**

I claim the ornamental design for an outdoor lighting fixture, as shown and described.

**DESCRIPTION**

FIG. 1 is a perspective view of the outdoor lighting fixture showing my new design;

FIG. 2 is a right side elevational view of the outdoor lighting fixture;

FIG. 3 is a left side elevational view of the outdoor lighting fixture;

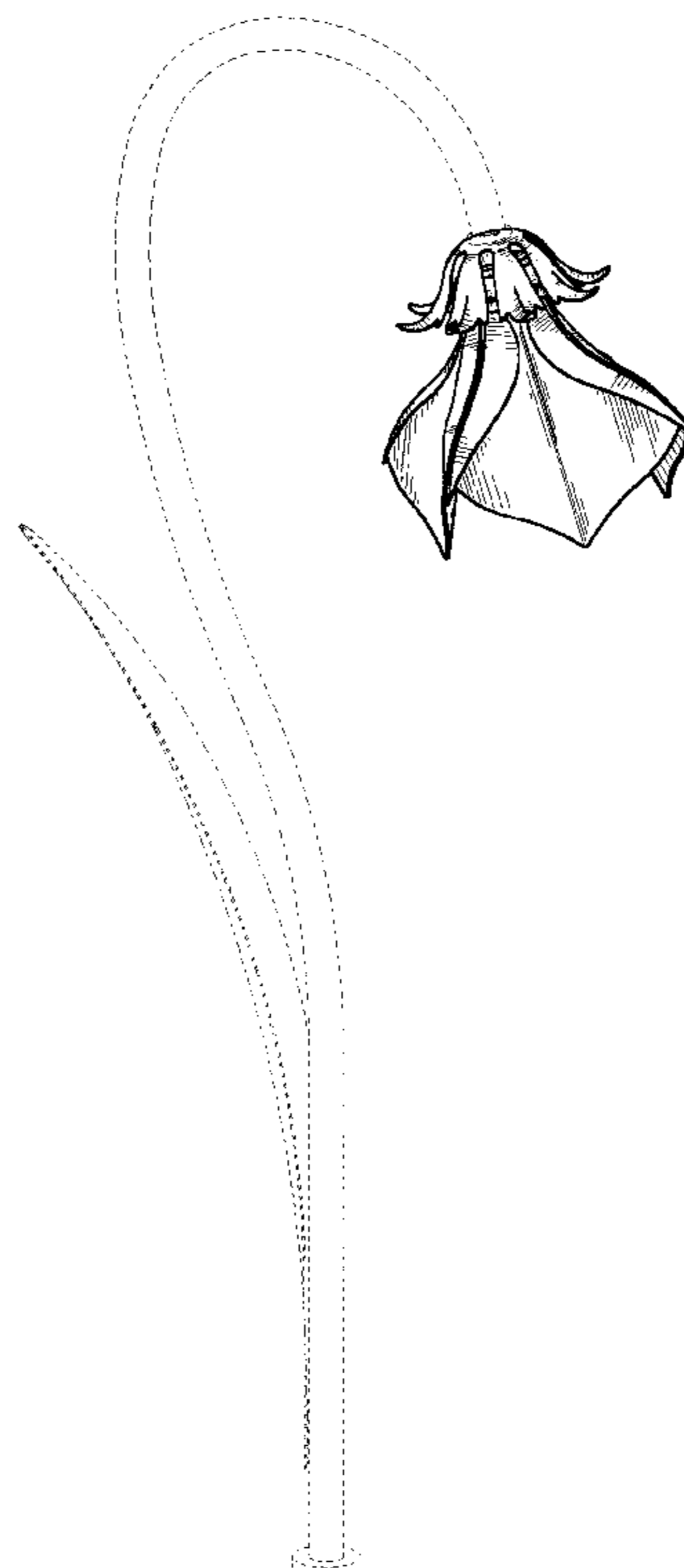
FIG. 4 is a top plan view of the outdoor lighting fixture;

FIG. 5 is a bottom plan view of the outdoor lighting fixture; and,

FIG. 6 is front elevational view of the outdoor lighting fixture, the rear elevational view being a mirror image.

The broken lines shown are for illustrative purposes only and form no part of the claimed design.

**1 Claim, 3 Drawing Sheets**



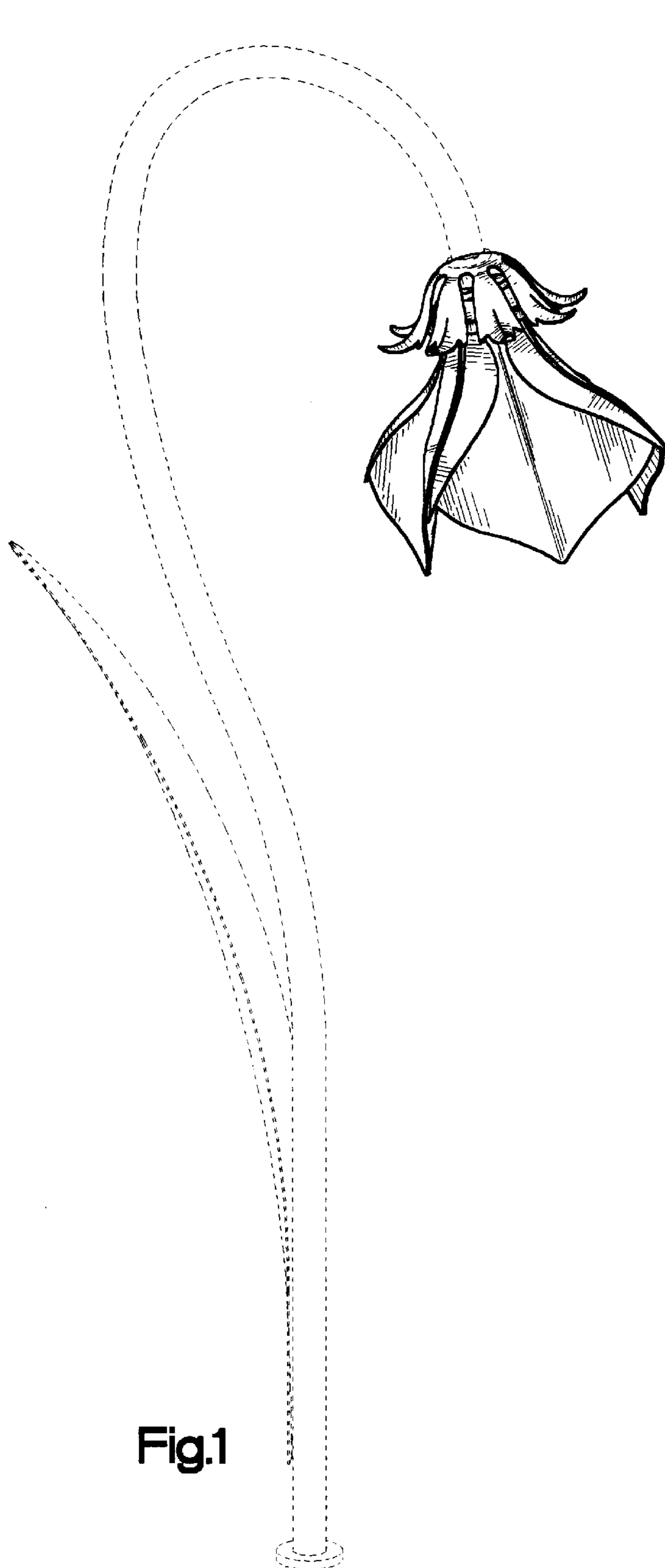


Fig.1

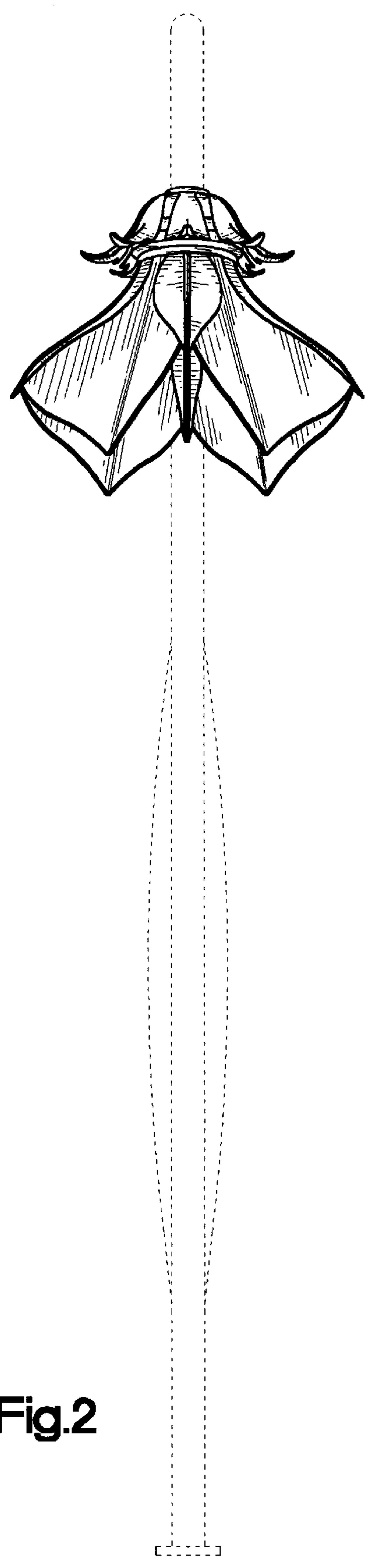


Fig.2

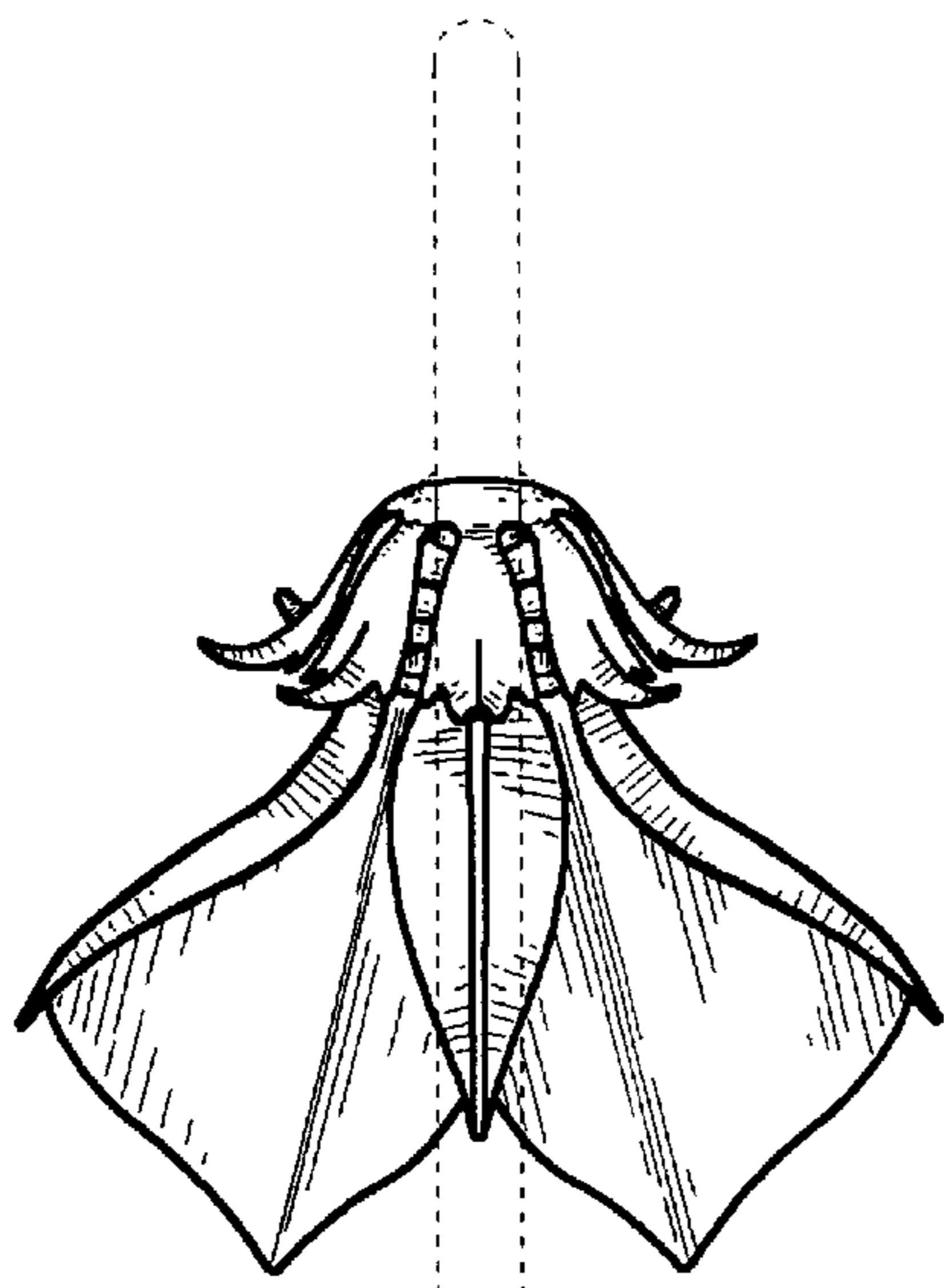


Fig.3

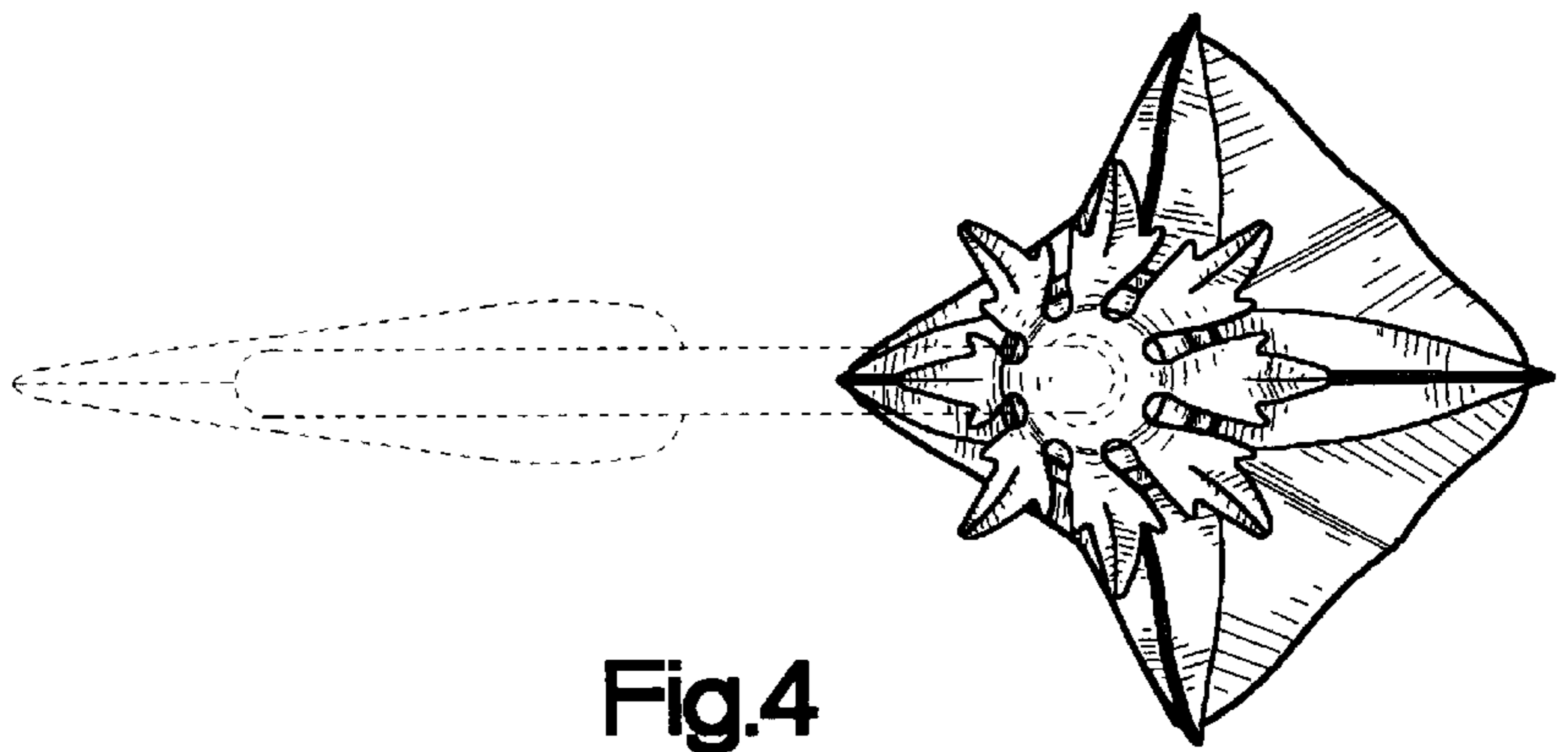


Fig.4

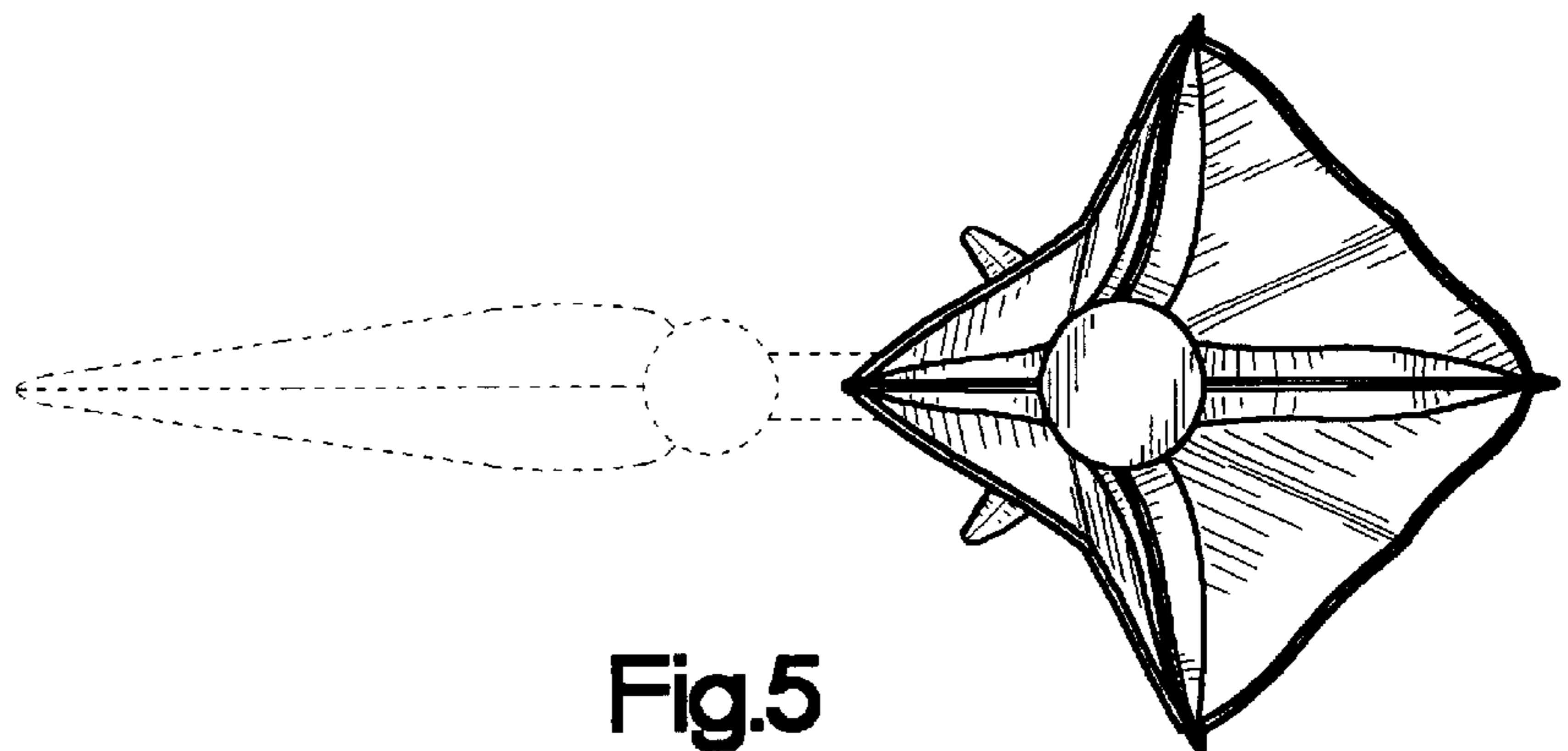
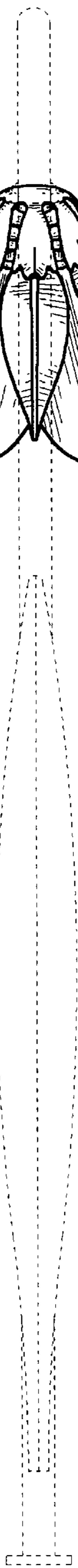


Fig.5



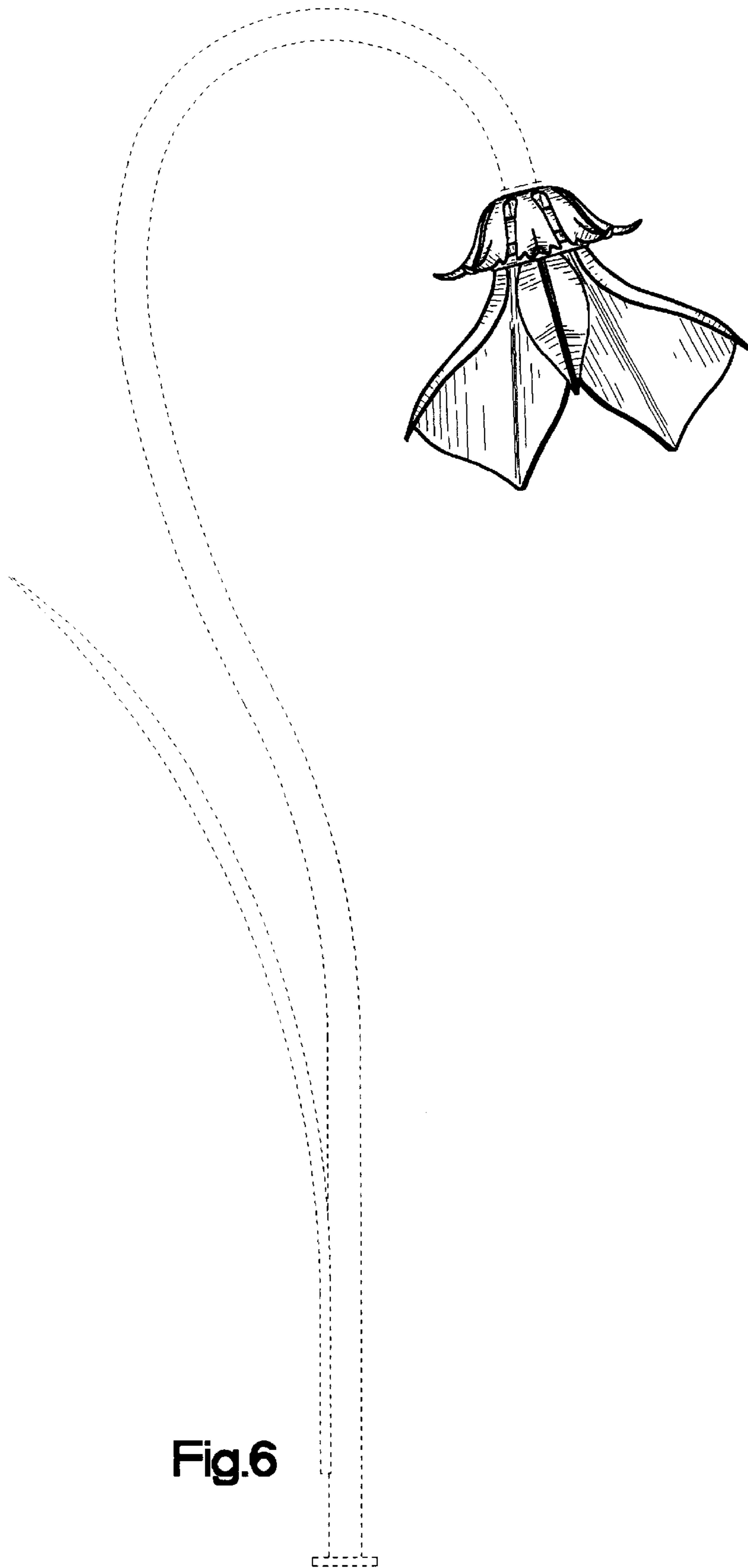


Fig.6