



US00D448509B1

(12) **United States Design Patent**  
**Lin**

(10) **Patent No.:** **US D448,509 S**

(45) **Date of Patent:** **\*\* Sep. 25, 2001**

(54) **SPOTLIGHT**

(76) Inventor: **Michael Lin**, 8F.,No., 659, Chung Cheng Rd., Hsinchuang. Taipei Hsien. (TW)

(\*\*) Term: **14 Years**

(21) Appl. No.: **29/136,120**

(22) Filed: **Jan. 26, 2001**

(51) **LOC (7) Cl.** ..... **26-05**

(52) **U.S. Cl.** ..... **D26/63**

(58) **Field of Search** ..... D26/60-66; 362/267, 362/269, 281, 285, 287, 418, 419, 427, 33

(56) **References Cited**

**U.S. PATENT DOCUMENTS**

- D. 323,565 \* 1/1992 Woodgate ..... D26/63
- D. 414,579 \* 9/1999 Denison et al. .... D26/63 X

**OTHER PUBLICATIONS**

Home Lighting and Accessories, Apr. 1997, W. A. C. spotlight.\*

\* cited by examiner

*Primary Examiner*—Susan J. Lucas

(74) *Attorney, Agent, or Firm*—Dougherty & Troxell

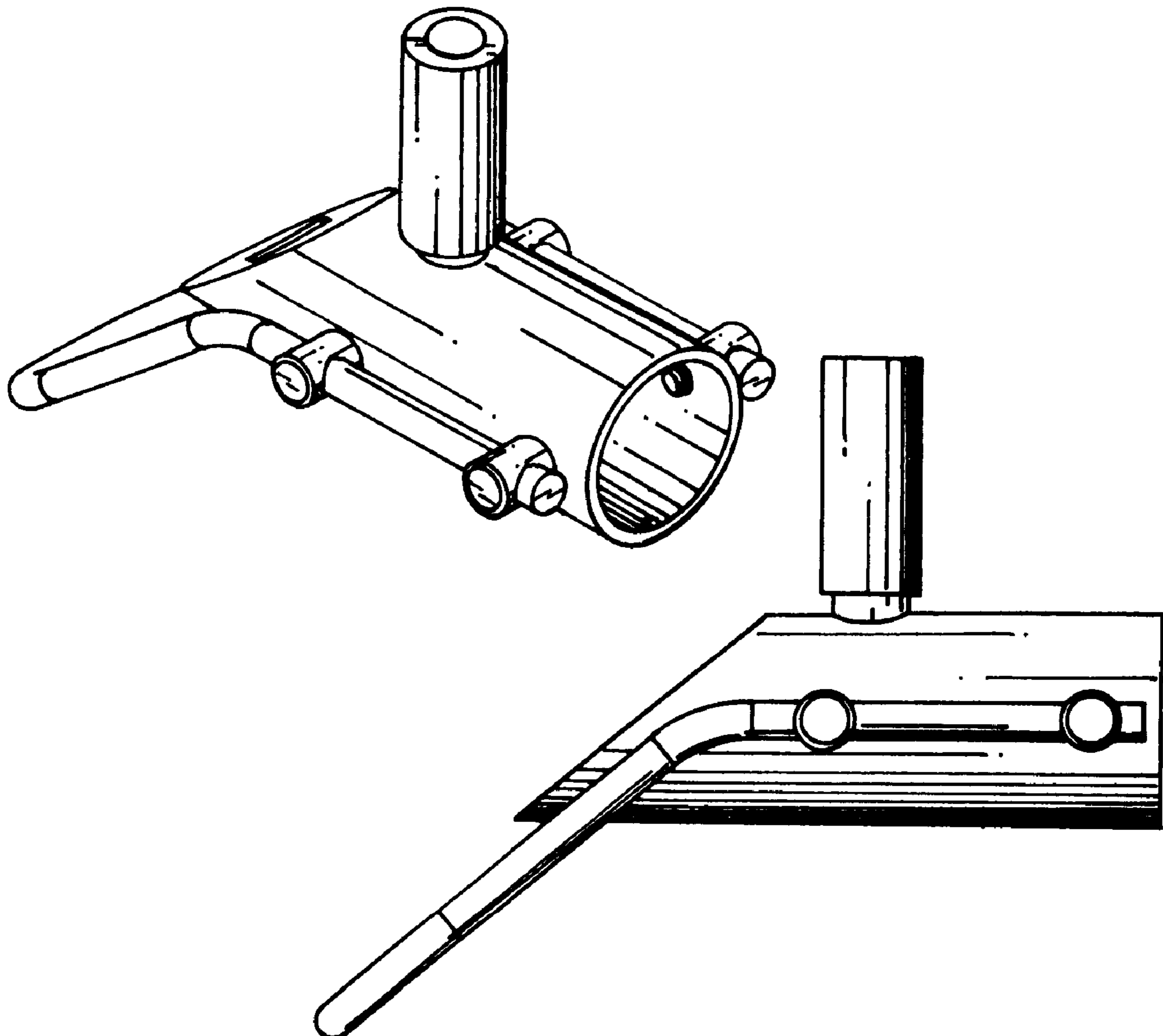
(57) **CLAIM**

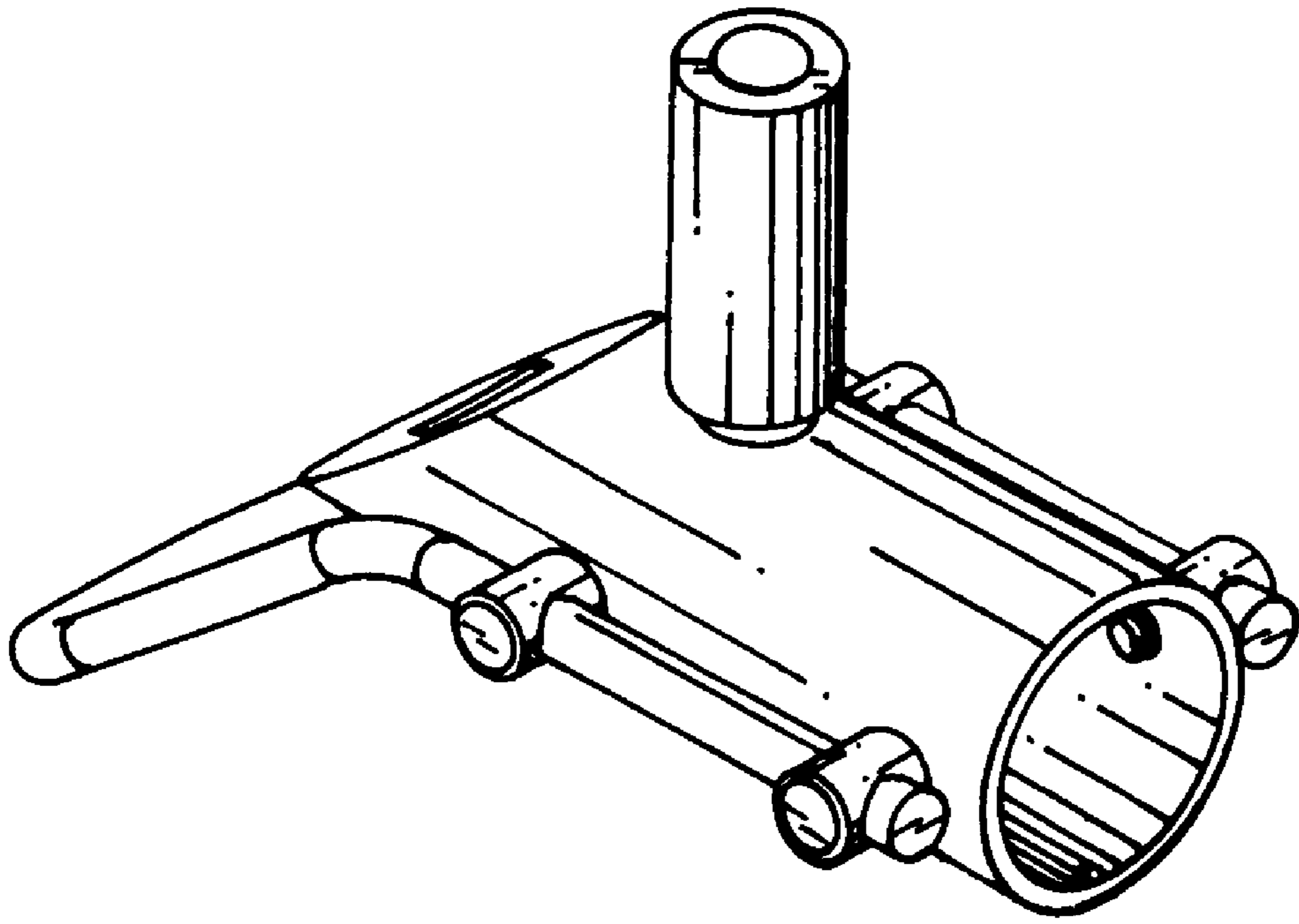
The ornamental design for a spotlight, as shown and described.

**DESCRIPTION**

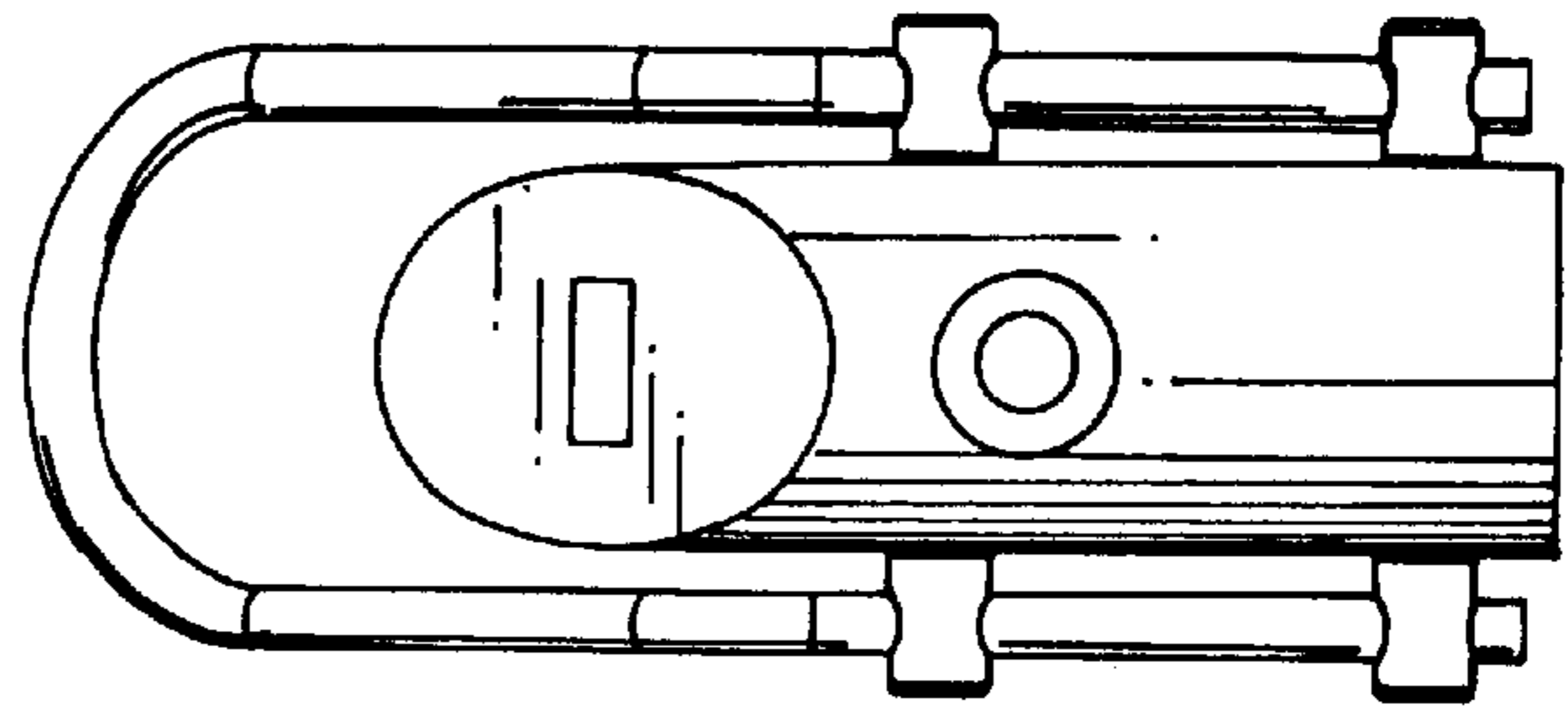
- FIG. 1 is Perspective View
- FIG. 2 is Front View Thereof
- FIG. 3 is Top plan View Thereof
- FIG. 4 is Bottom Plan View Thereof
- FIG. 5 is Left Side Elevational View Thereof
- FIG. 6 is Rear View Thereof; and,
- FIG. 7 is Right Side Elevational View Thereof.

**1 Claim, 3 Drawing Sheets**

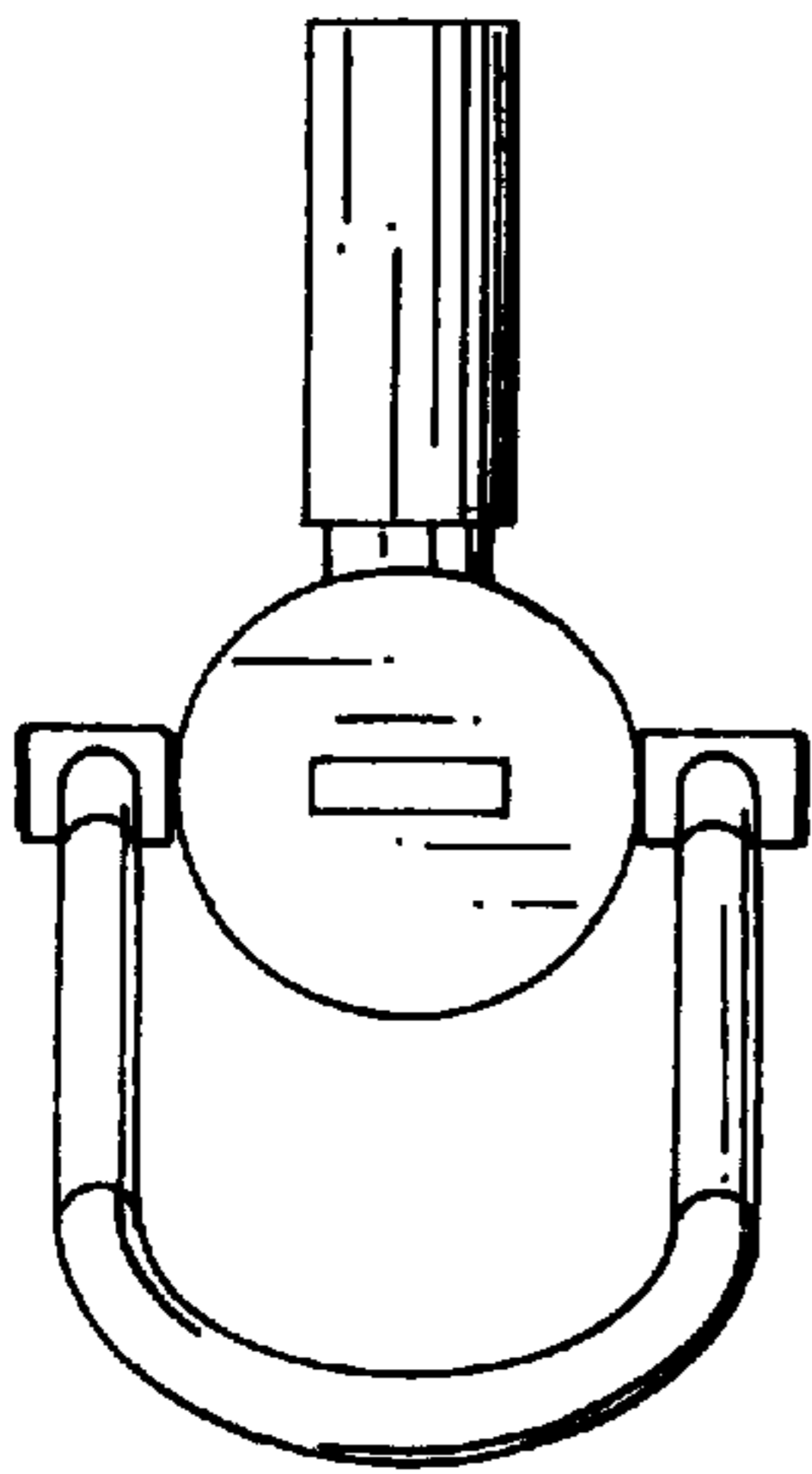




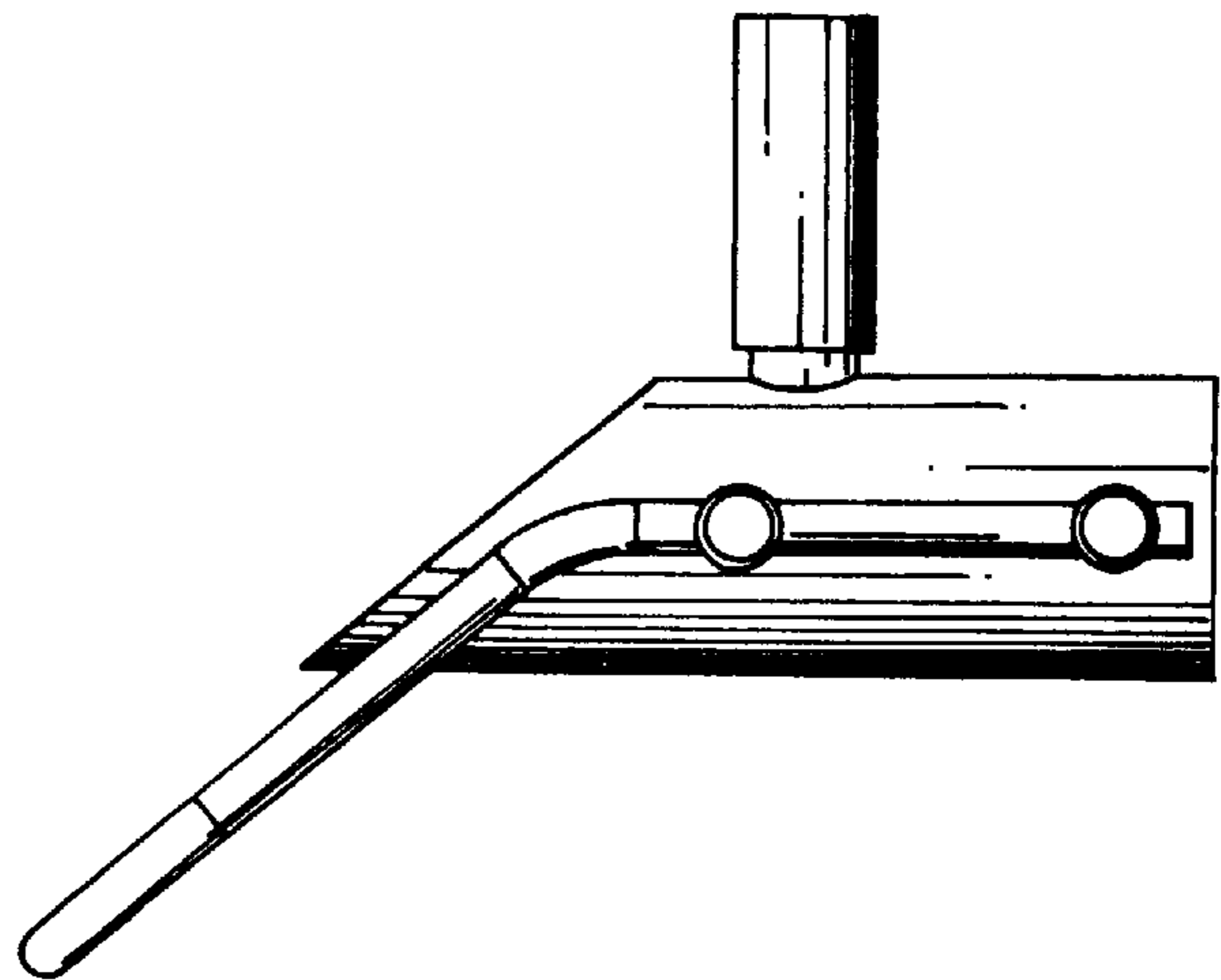
F i g . 1



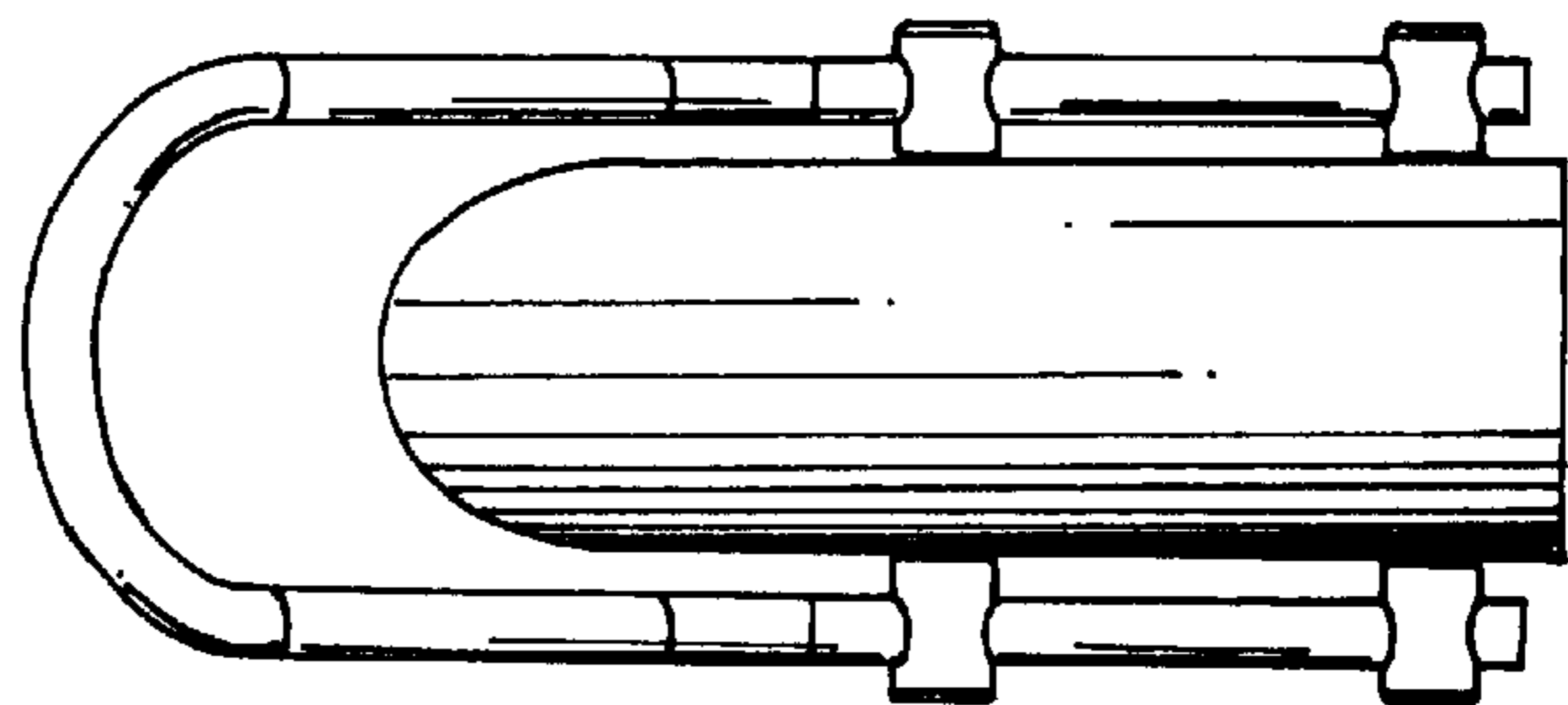
F i g . 3



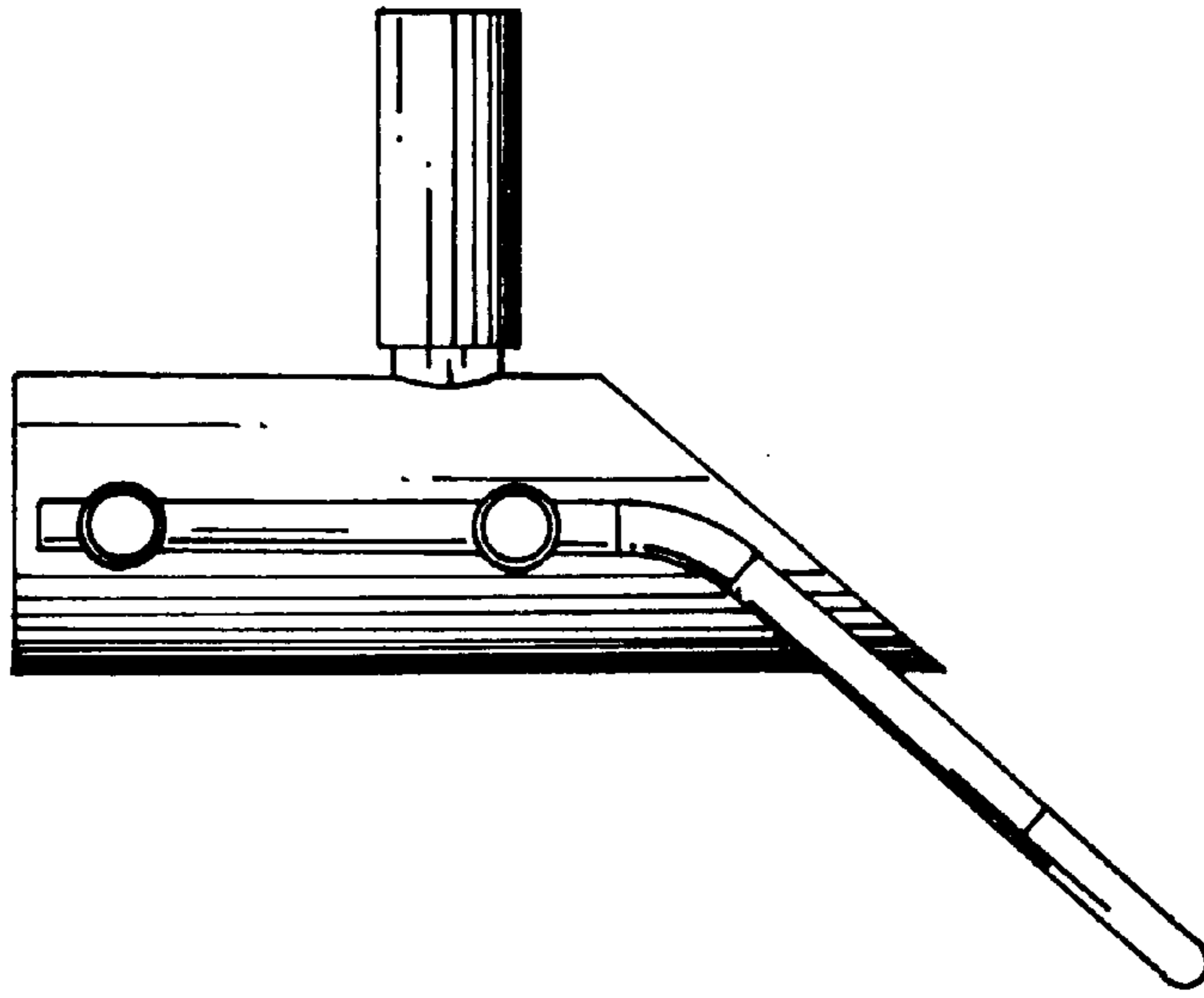
F i g . 5



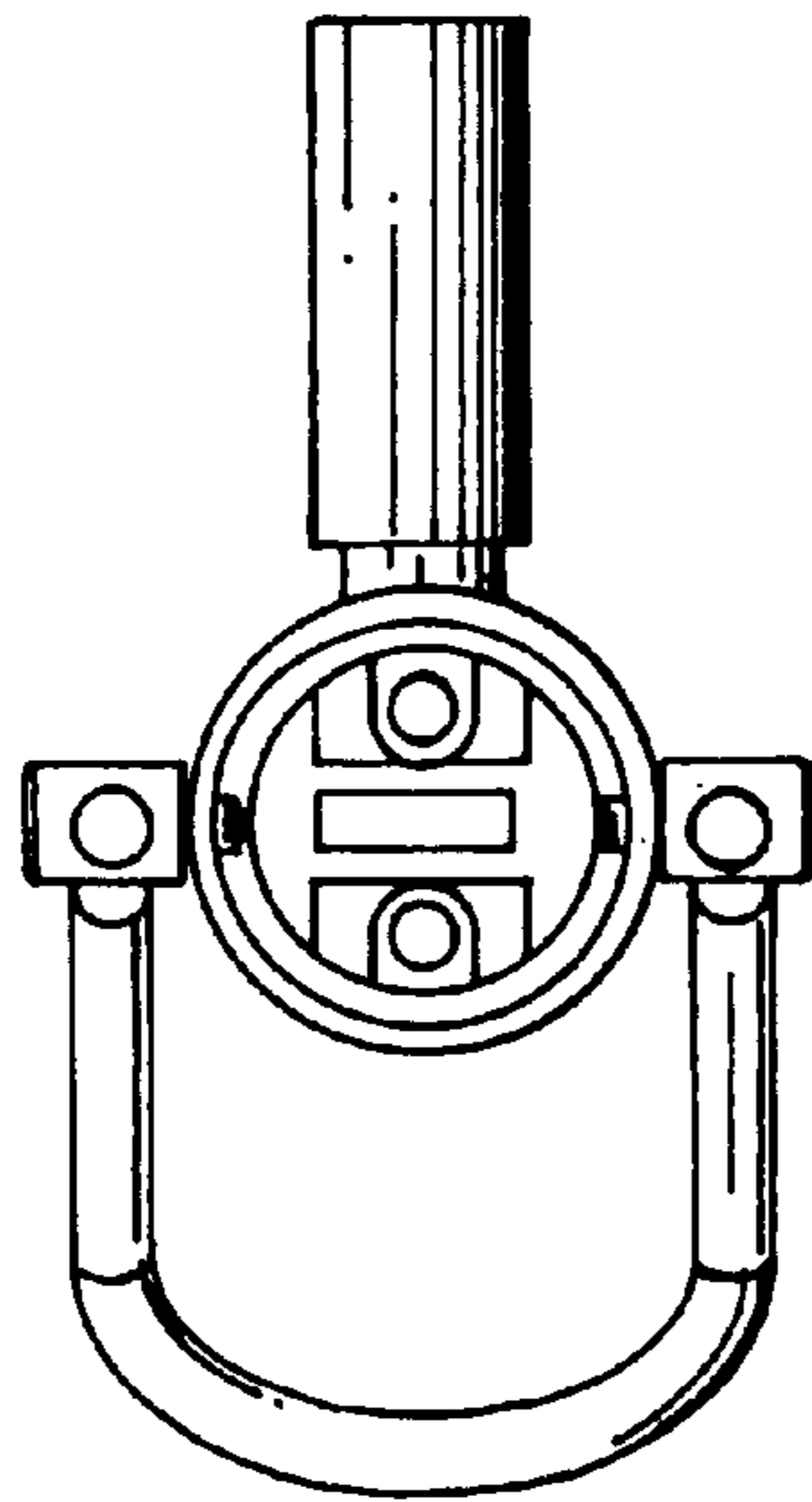
F i g . 2



F i g . 4



F i g . 6



F i g . 7