



US00D448508B1

(12) **United States Design Patent**
Benghozi

(10) **Patent No.:** **US D448,508 S**

(45) **Date of Patent:** **** Sep. 25, 2001**

(54) **LAMP**

(75) Inventor: **Simon-Victor Benghozi**, Outremont
(CA)

(73) Assignee: **Bazz Inc.**, Montréal (CA)

(**) Term: **14 Years**

(21) Appl. No.: **29/135,906**

(22) Filed: **Jan. 22, 2001**

(51) **LOC (7) Cl.** **26-05**

(52) **U.S. Cl.** **D26/63**

(58) **Field of Search** D26/60-66; 362/267,
362/269, 281, 285, 287, 418, 419, 427,
430

(56) **References Cited**

U.S. PATENT DOCUMENTS

D. 370,076	*	5/1996	Lecluze	D26/63
D. 374,496	*	10/1996	Small	D26/63
D. 377,693	*	1/1997	Lecluze	D26/63
D. 434,165	*	11/2000	Hiller et al.	D26/65
D. 435,924	*	1/2001	Hiller et al.	D26/63
D. 437,651	*	2/2001	Tang	D26/63
6,022,129	*	2/2000	Tang	362/418 X

* cited by examiner

Primary Examiner—Susan J. Lucas

(74) *Attorney, Agent, or Firm*—Jean H. Dubuc

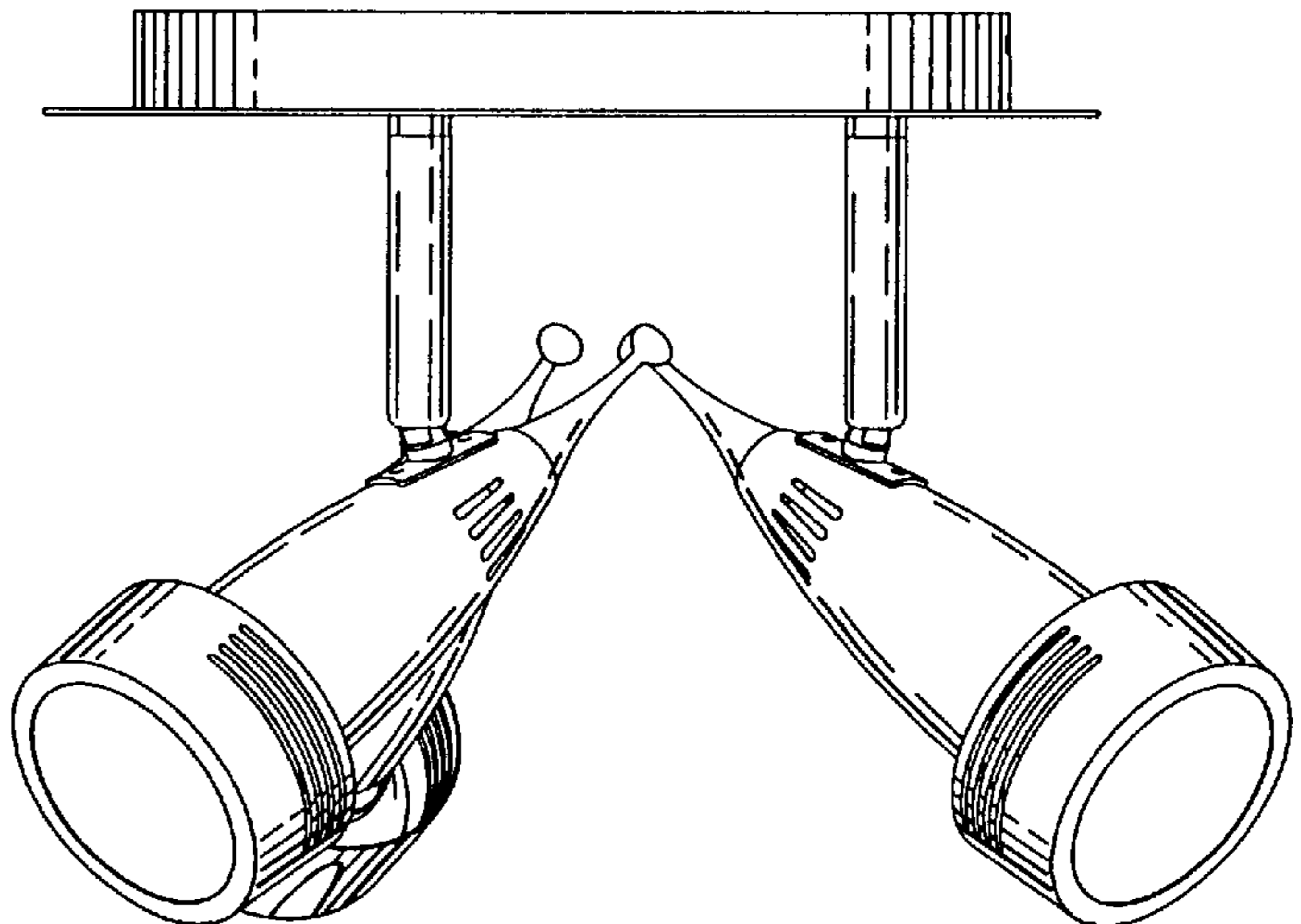
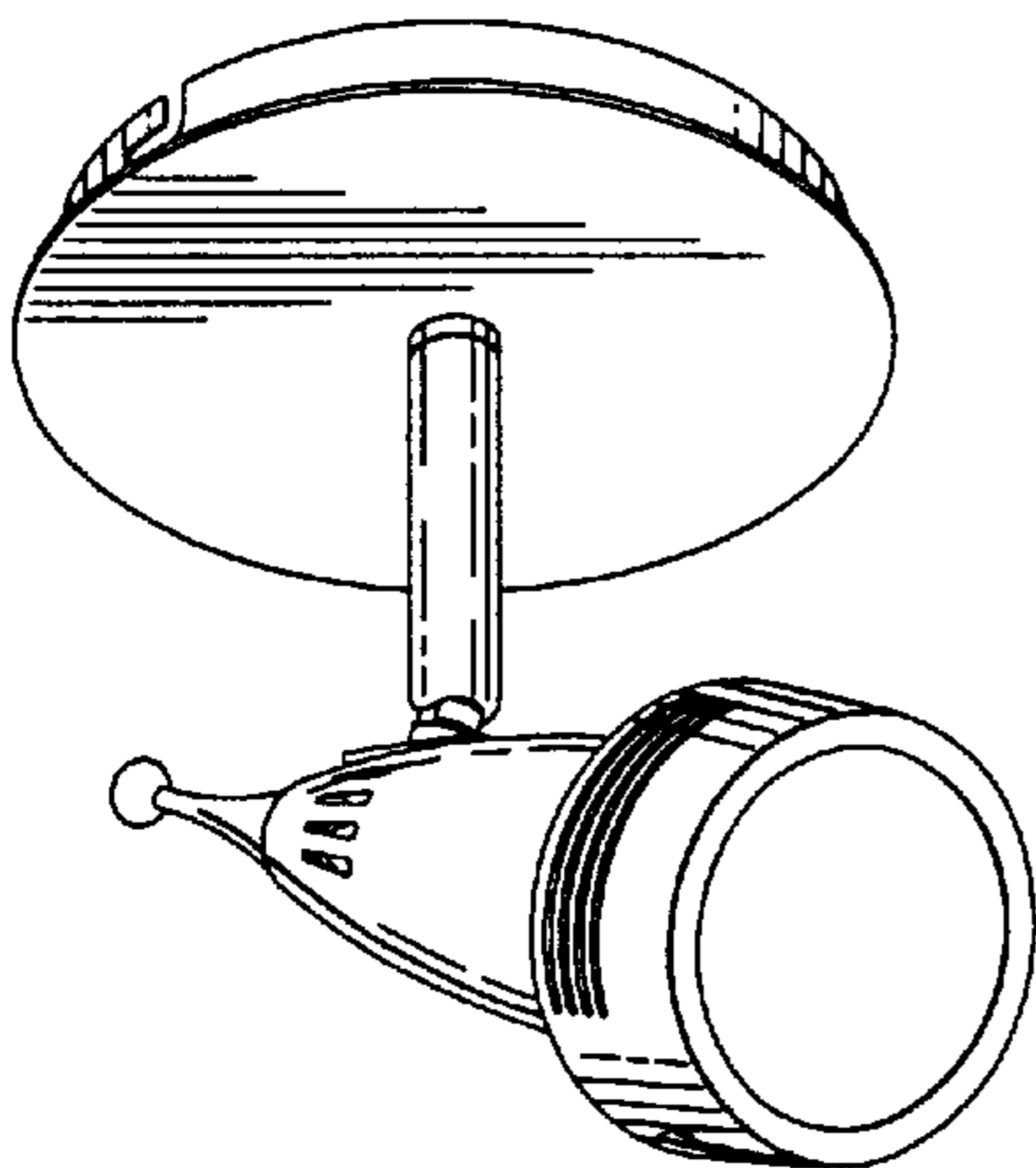
(57) **CLAIM**

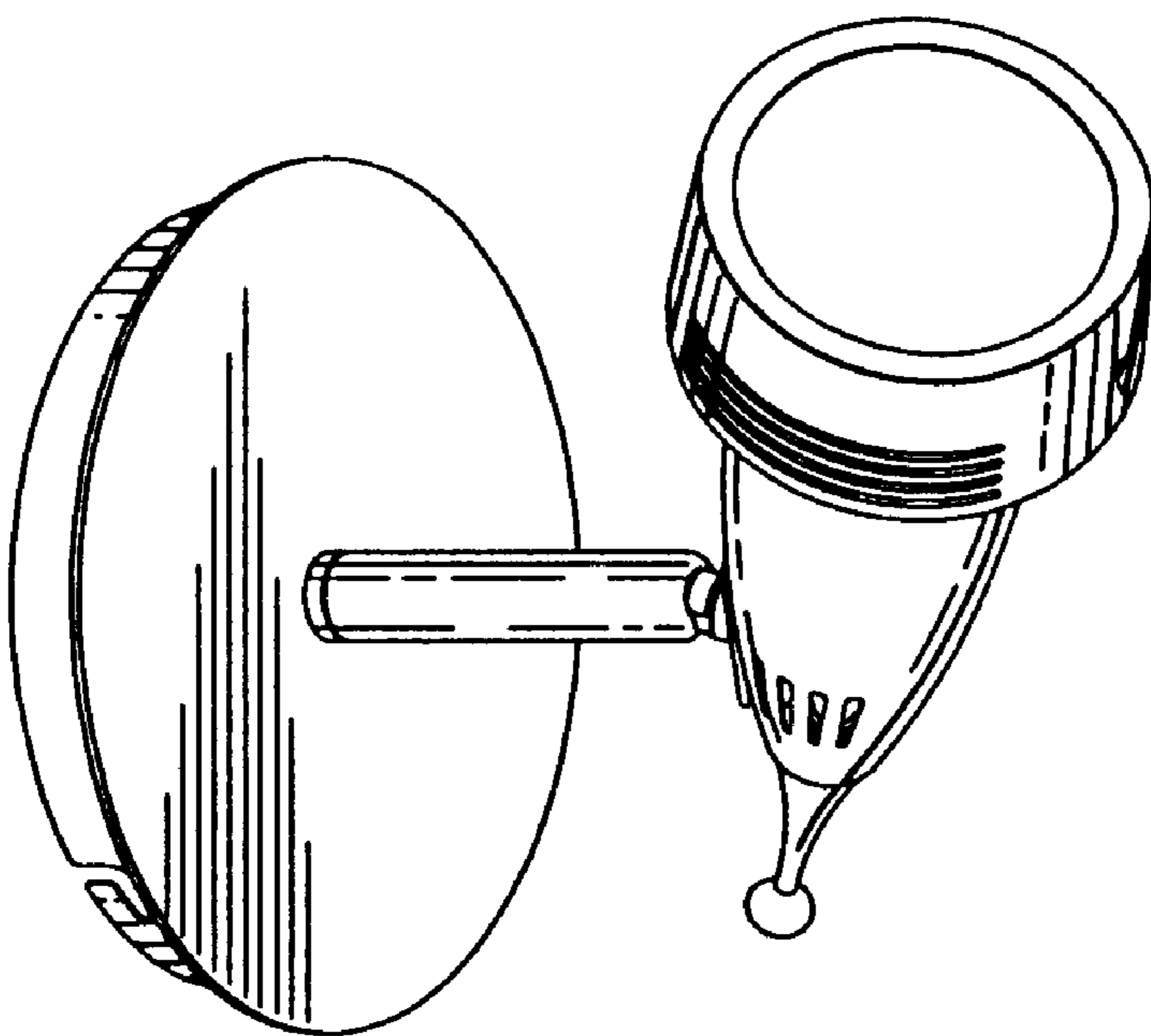
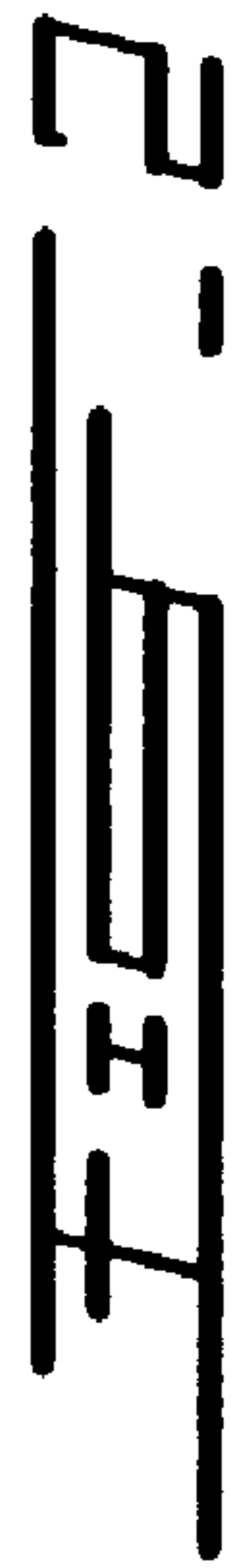
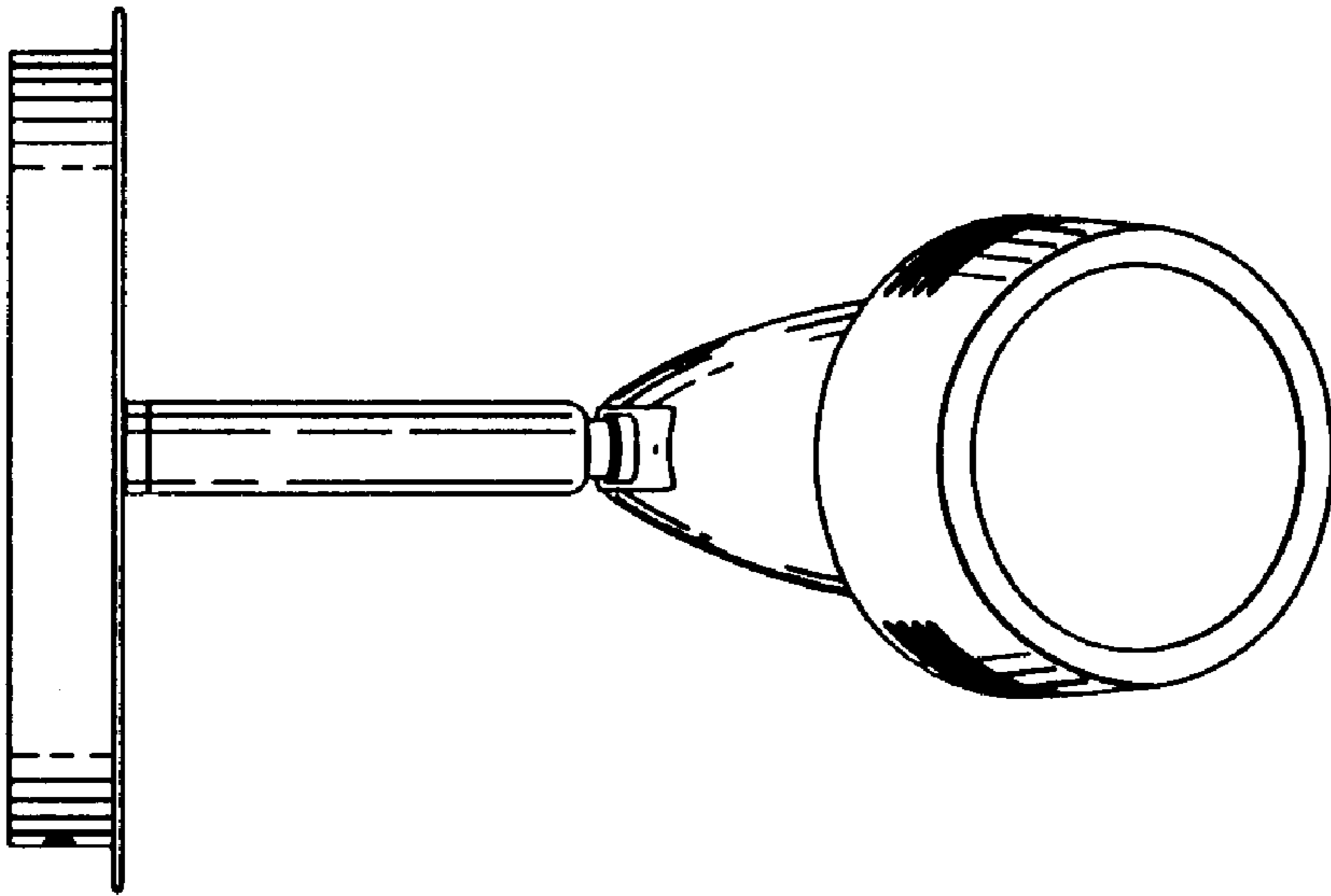
The ornamental design for a lamp, as shown and described.

DESCRIPTION

FIG. 1 is a perspective view of a lamp showing my new design;
 FIG. 2 is a front elevation view thereof;
 FIG. 3 is a side elevation view thereof;
 FIG. 4 is a rear elevation view thereof;
 FIG. 5 is a top plan view thereof;
 FIG. 6 is a perspective view of a first variant of the lamp;
 FIG. 7 is a front elevation view thereof;
 FIG. 8 is a side elevation view thereof;
 FIG. 9 is a side elevation view thereof opposite the view of FIG. 8;
 FIG. 10 is a rear elevation view thereof;
 FIG. 11 is a top plan view thereof;
 FIG. 12 is a perspective view of a second variant of the lamp;
 FIG. 13 is a front elevation view thereof;
 FIG. 14 is a side elevation view thereof;
 FIG. 15 is a side elevation view thereof opposite the view of FIG. 14;
 FIG. 16 is a rear elevation view thereof; and,
 FIG. 17 is a top plan view thereof.

1 Claim, 9 Drawing Sheets





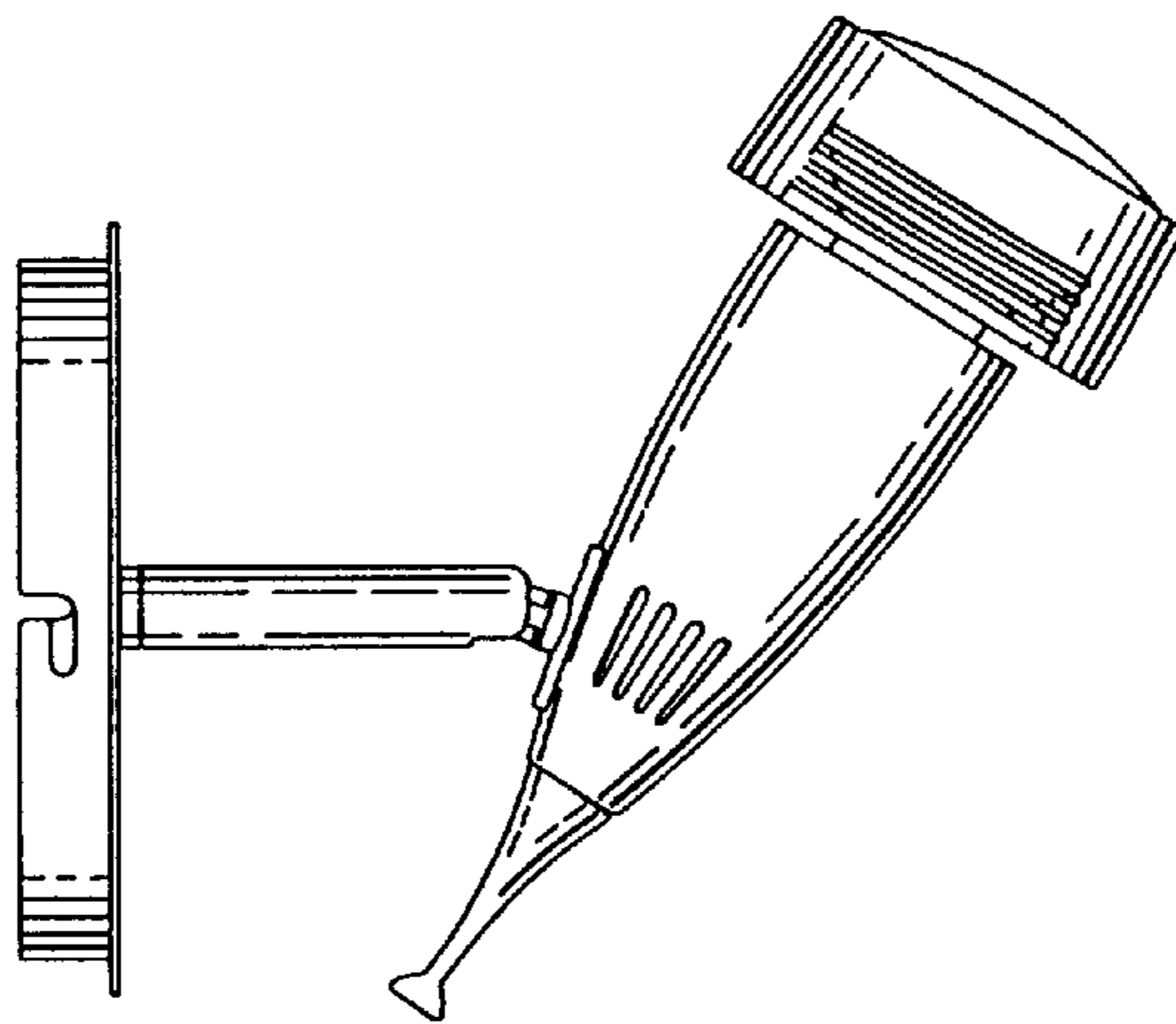


FIG. 3

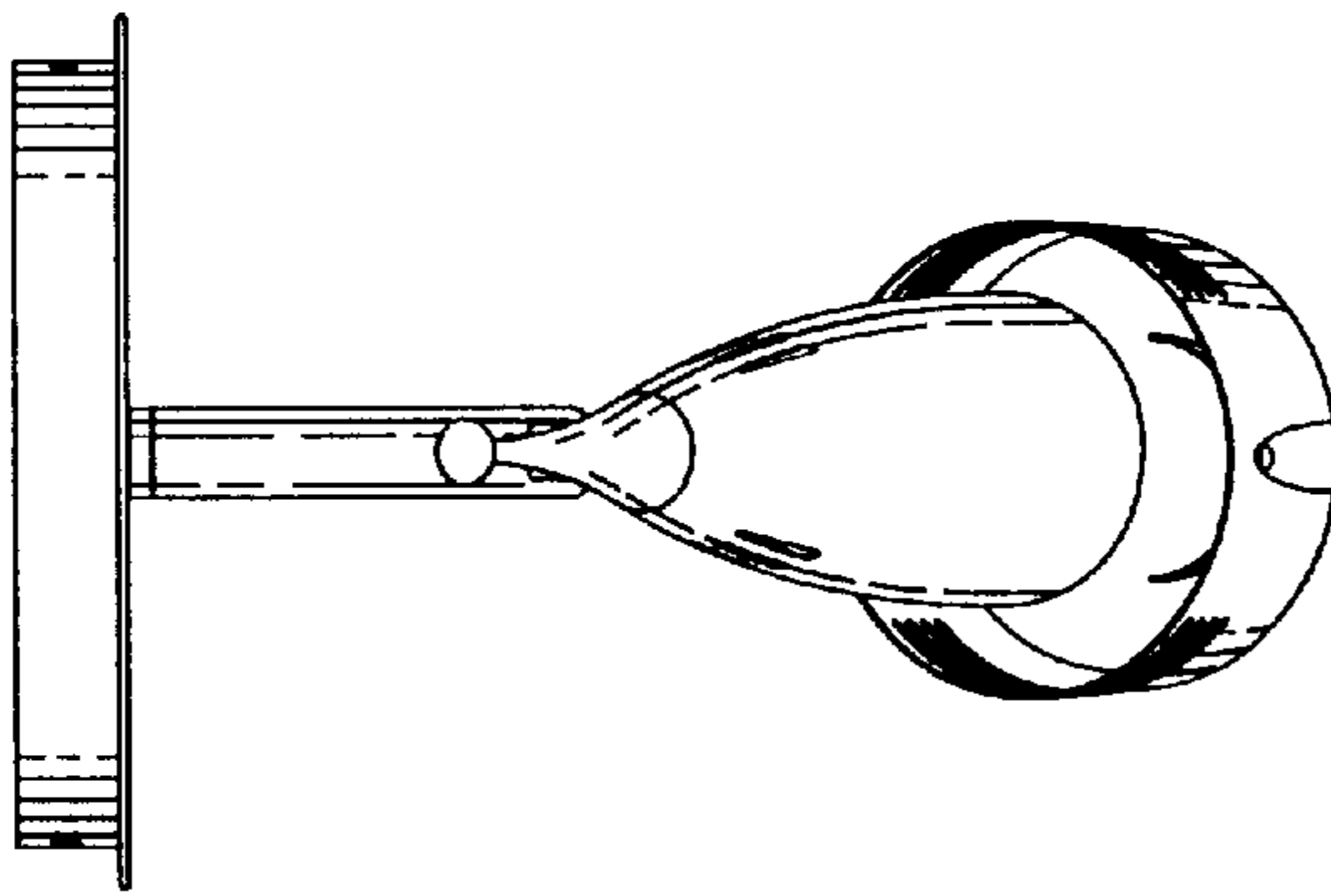


FIG. 4

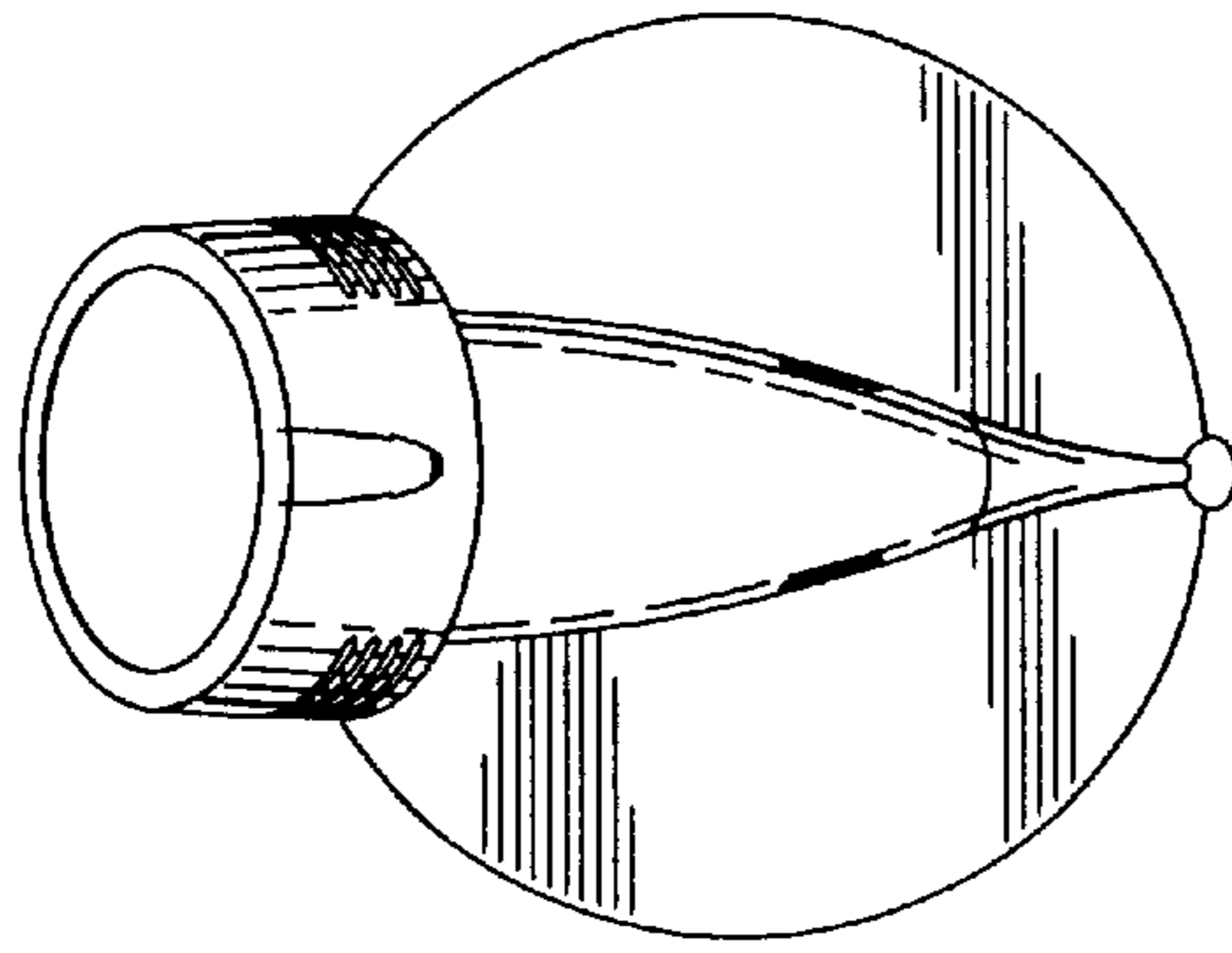


FIG. 5

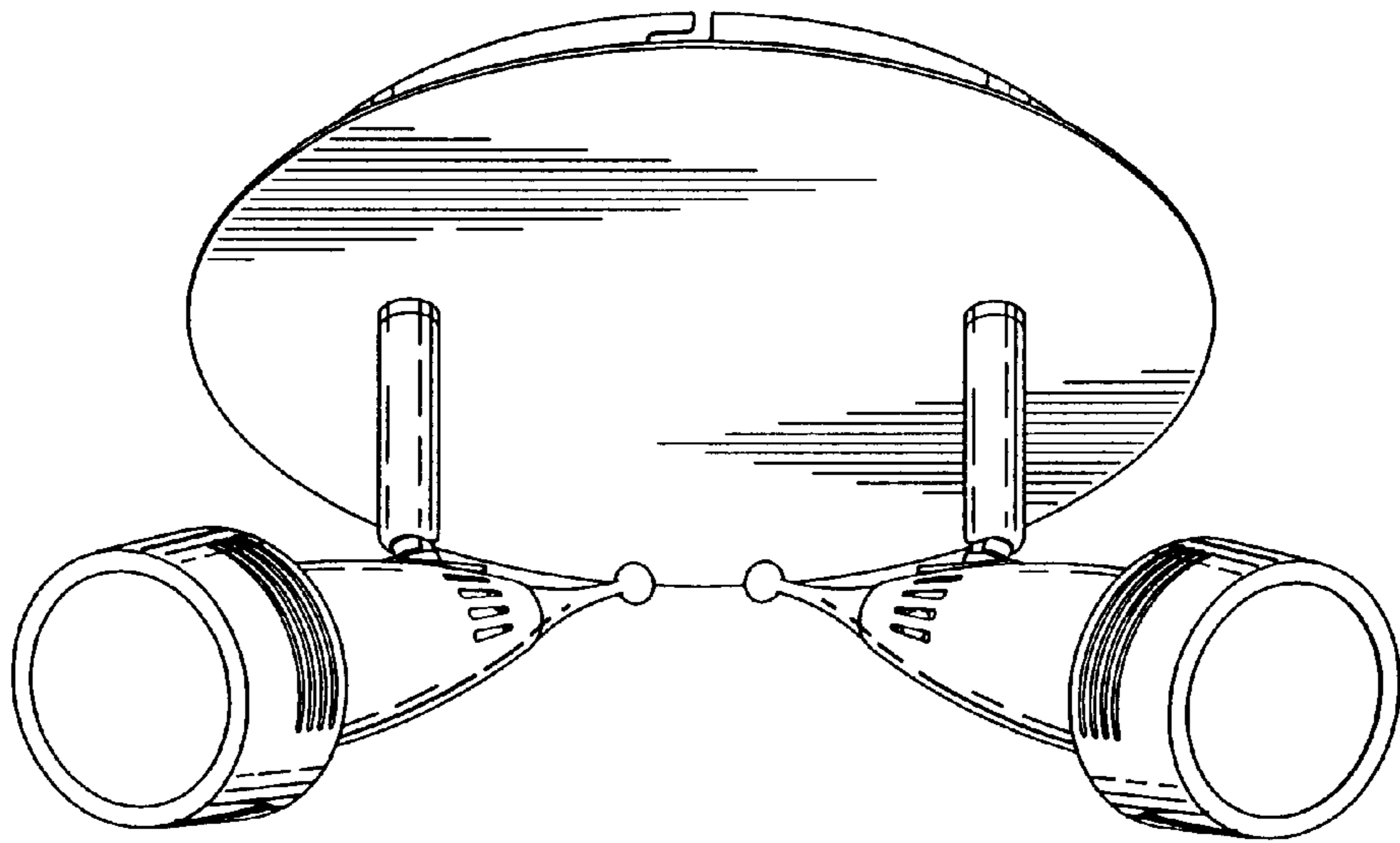


FIG. 6

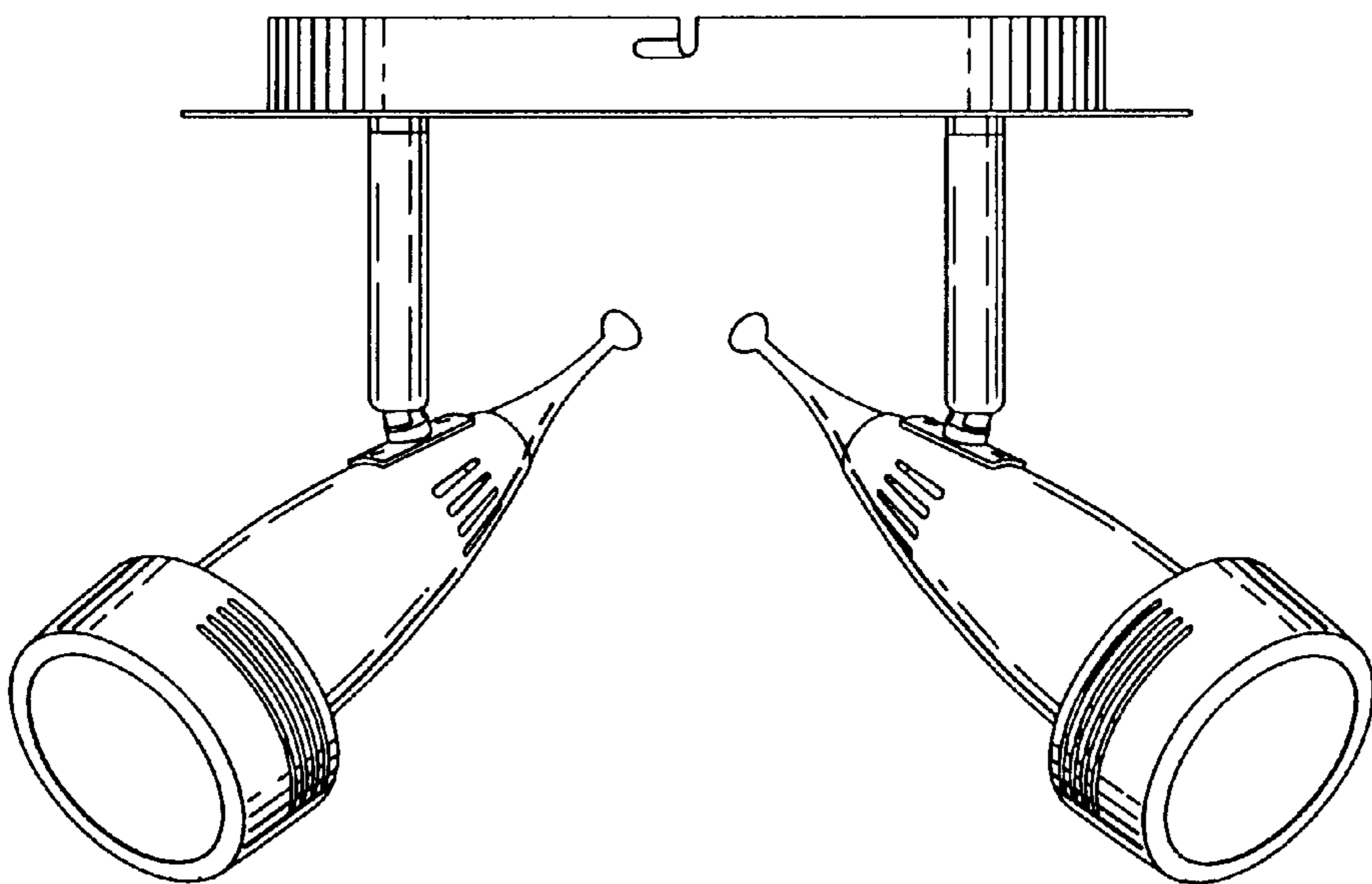


FIG. 7

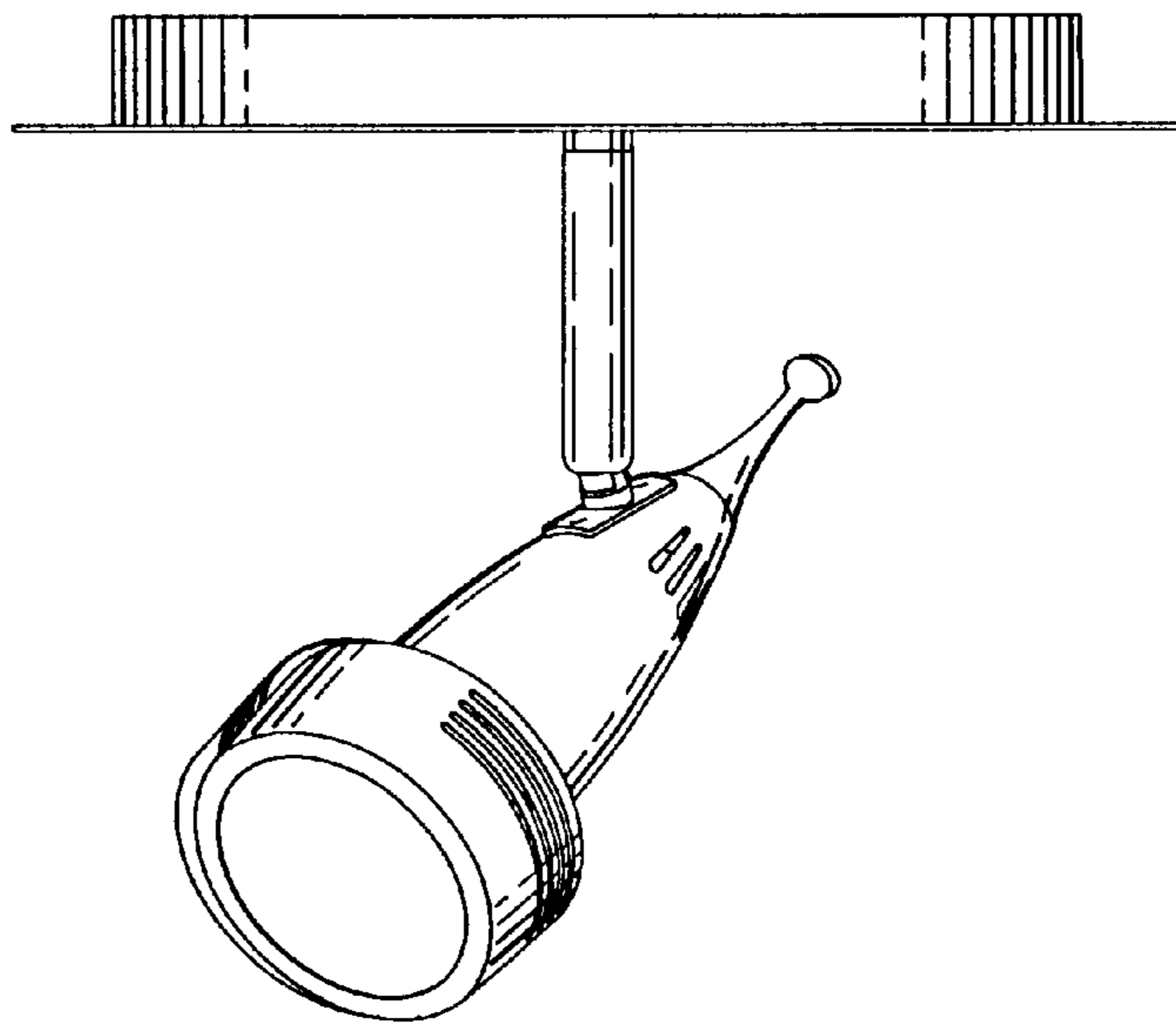


FIG. 8

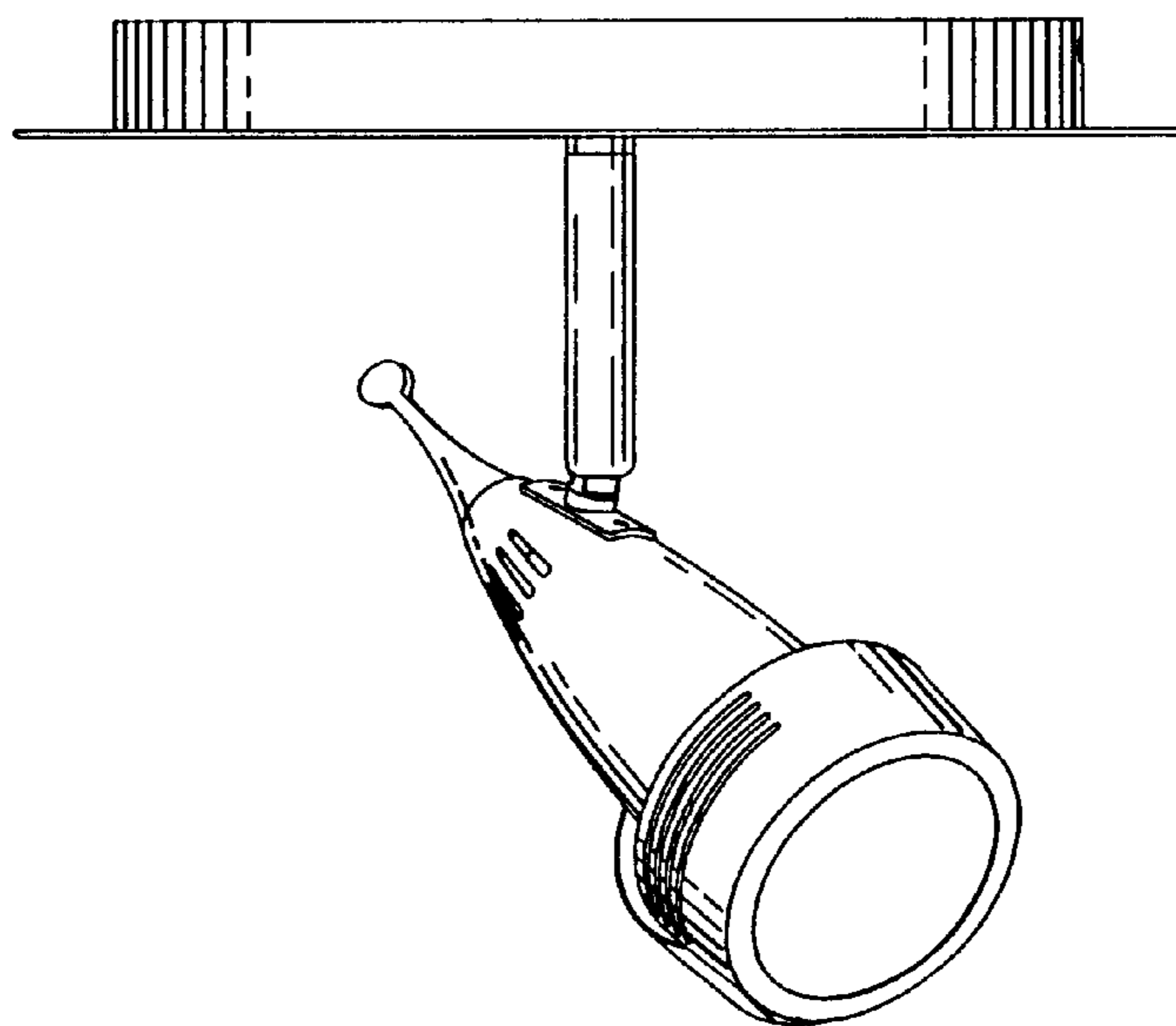


FIG. 9

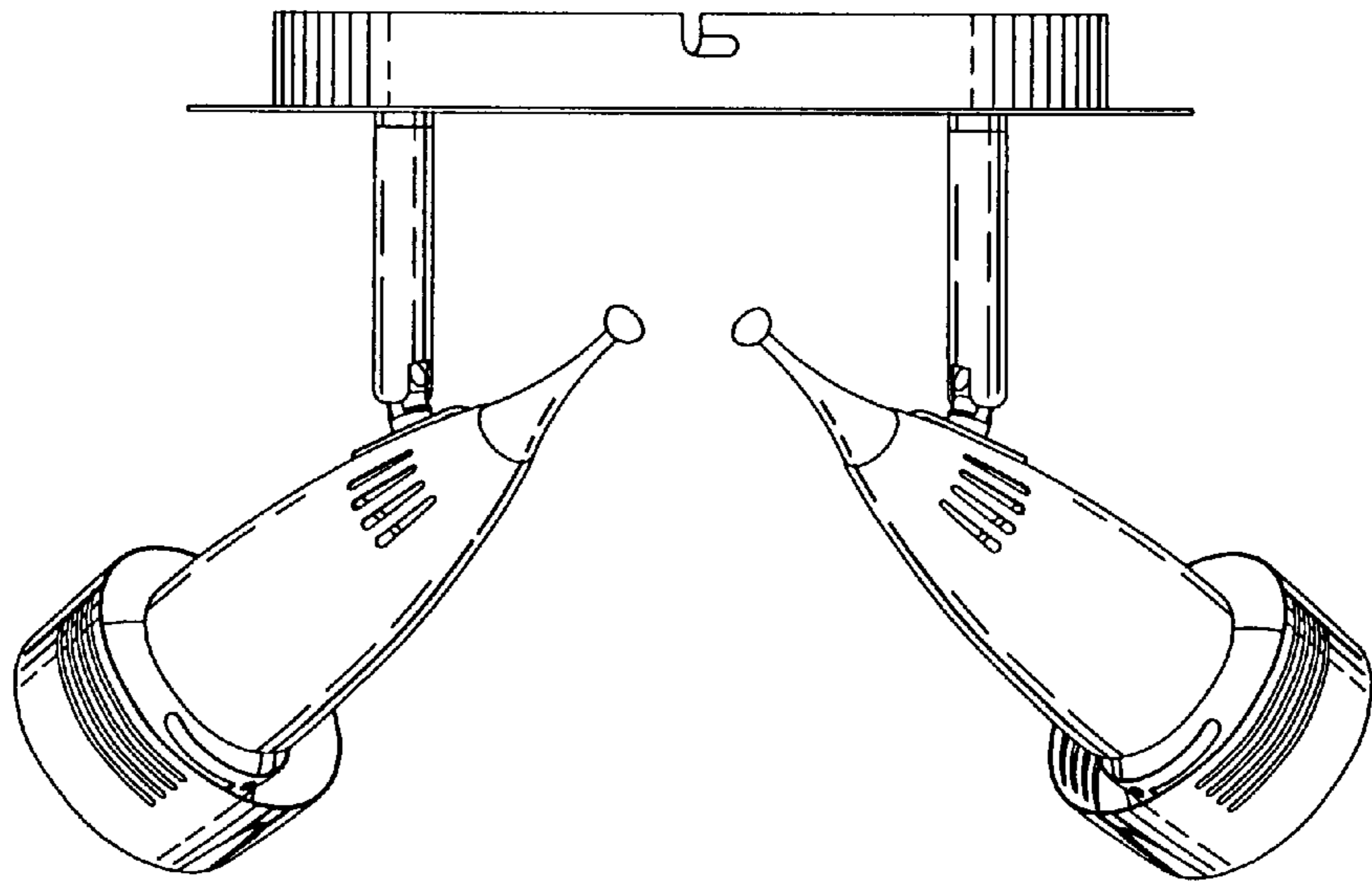


FIG. 10

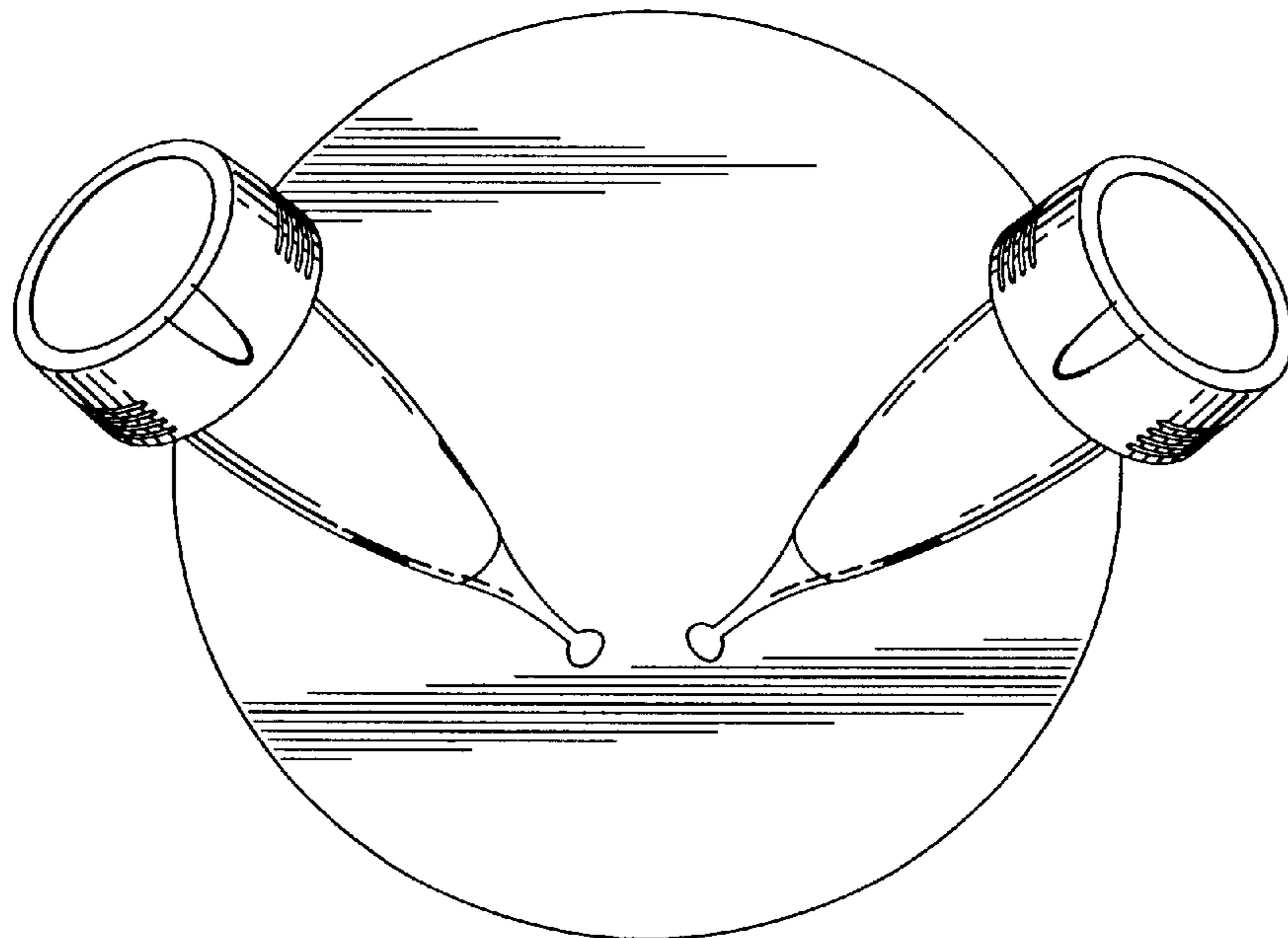


FIG. 11

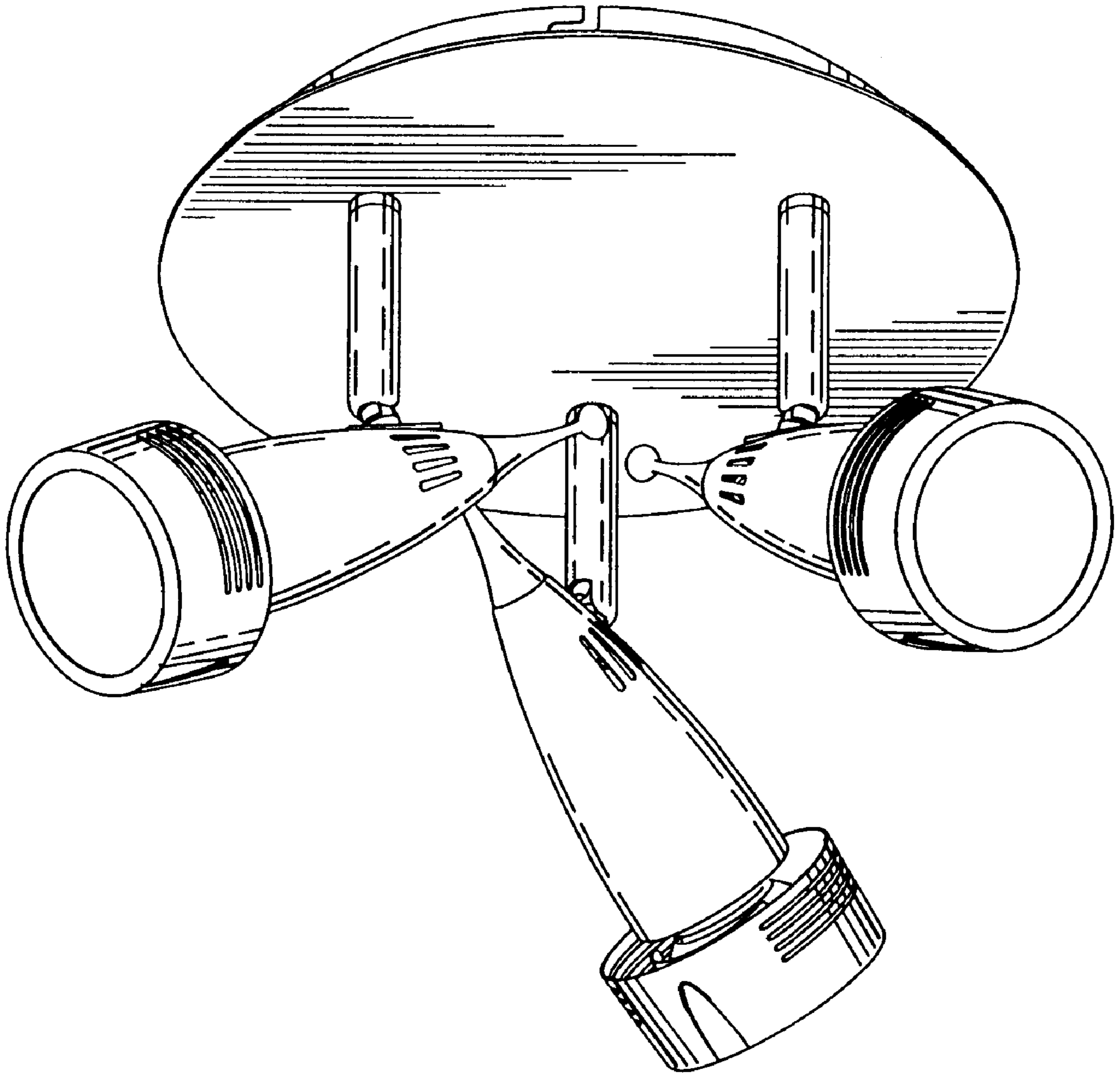


FIG. 12

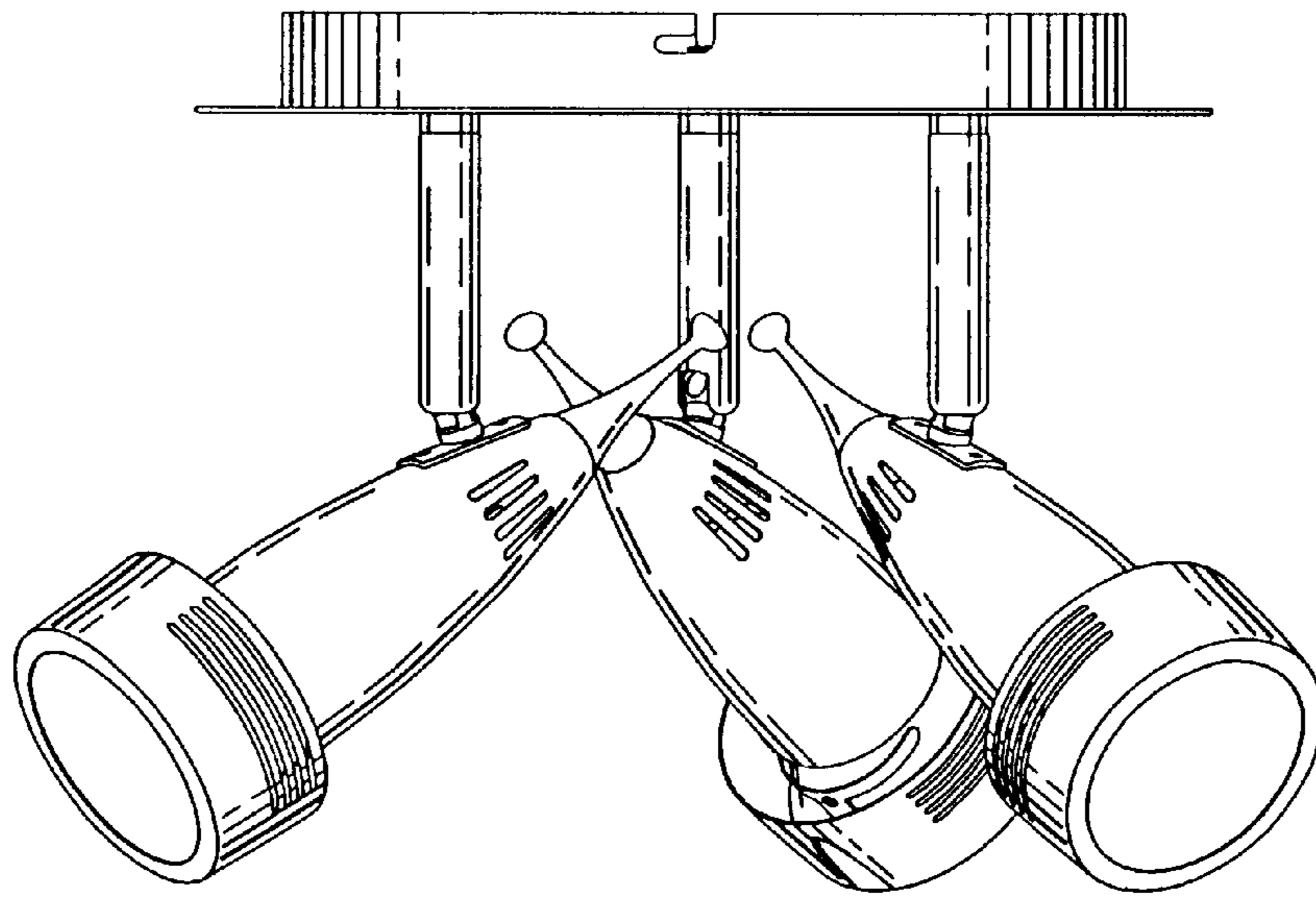


FIG. 13

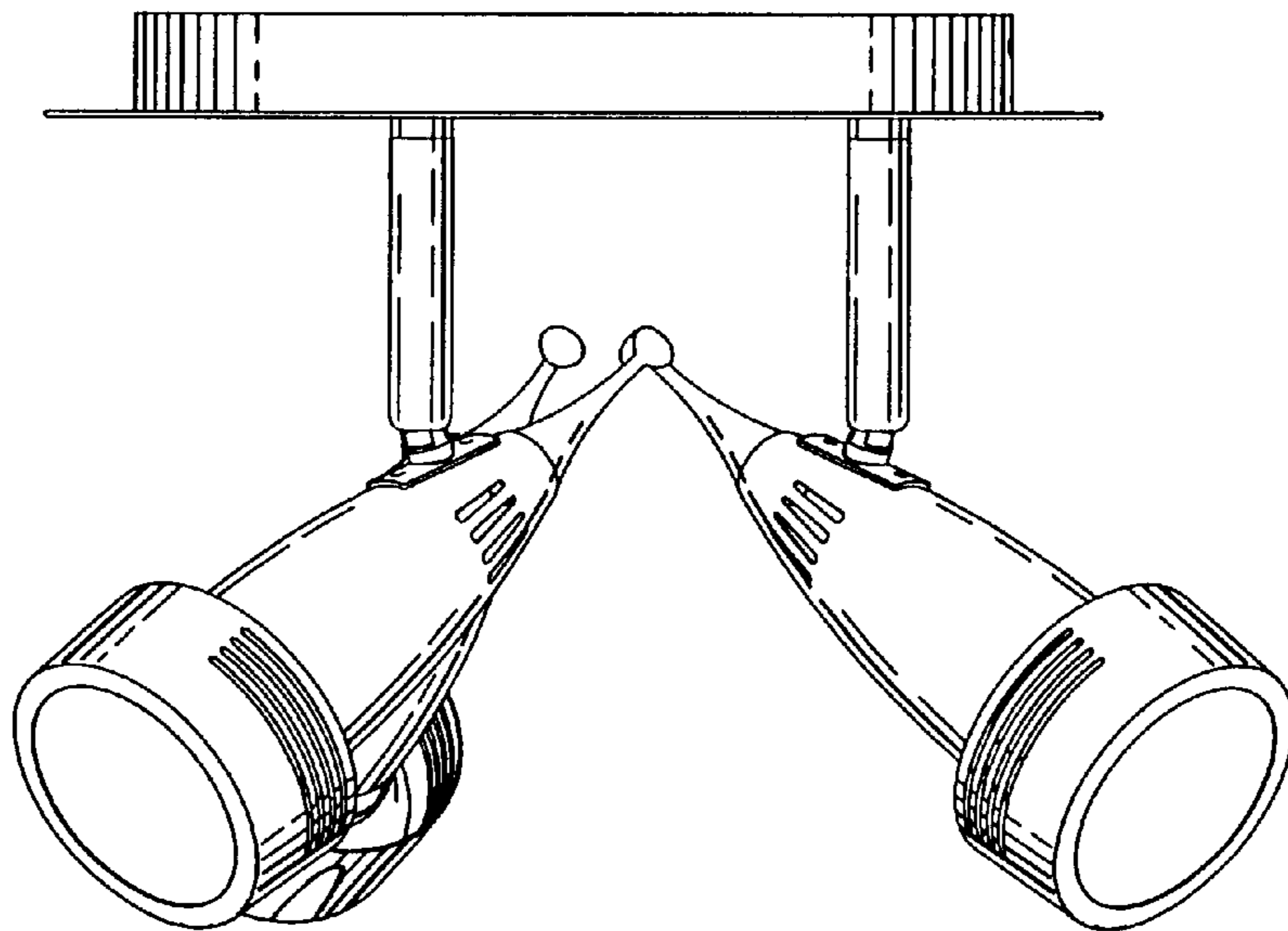


FIG. 14

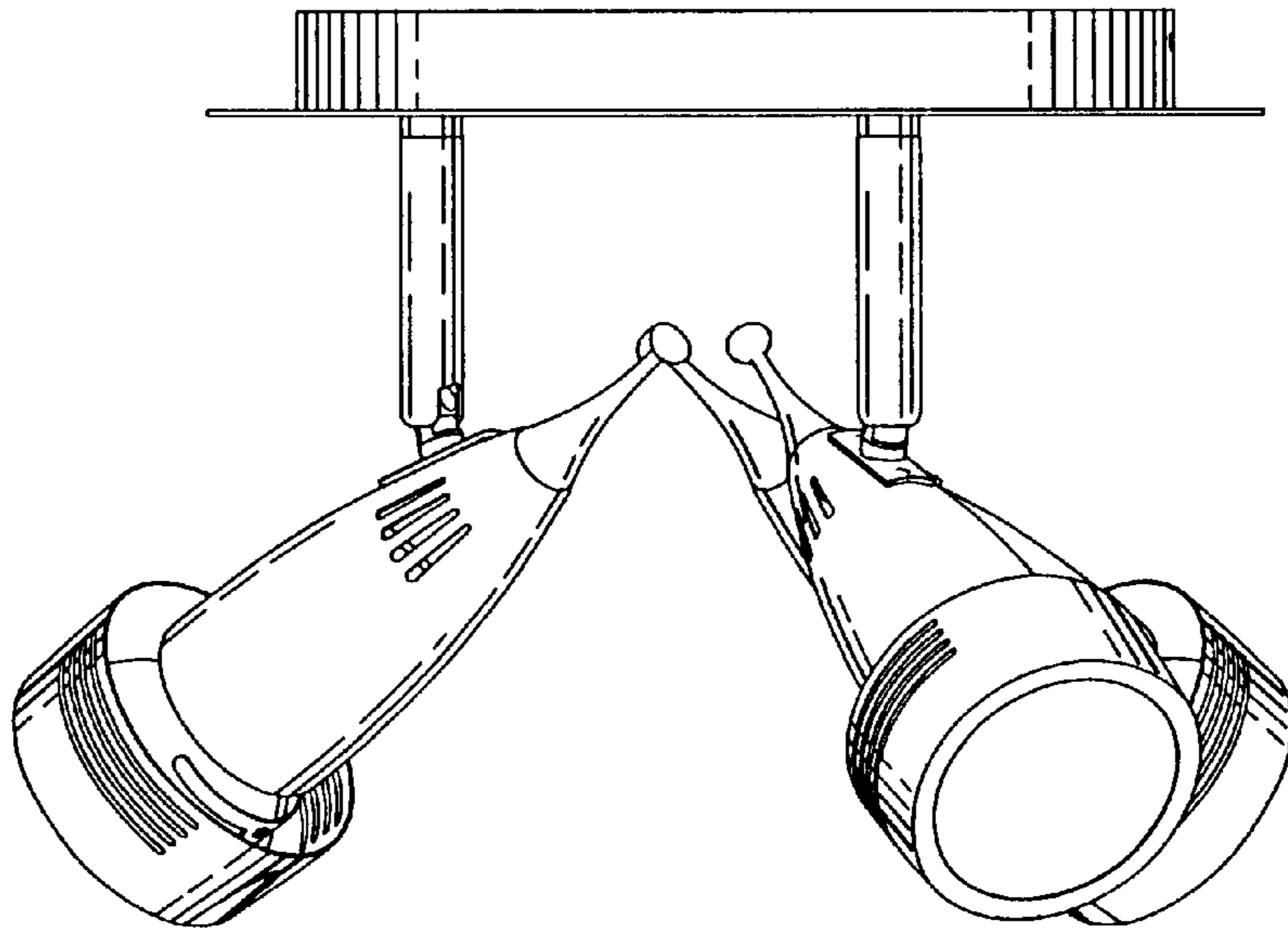


FIG. 15

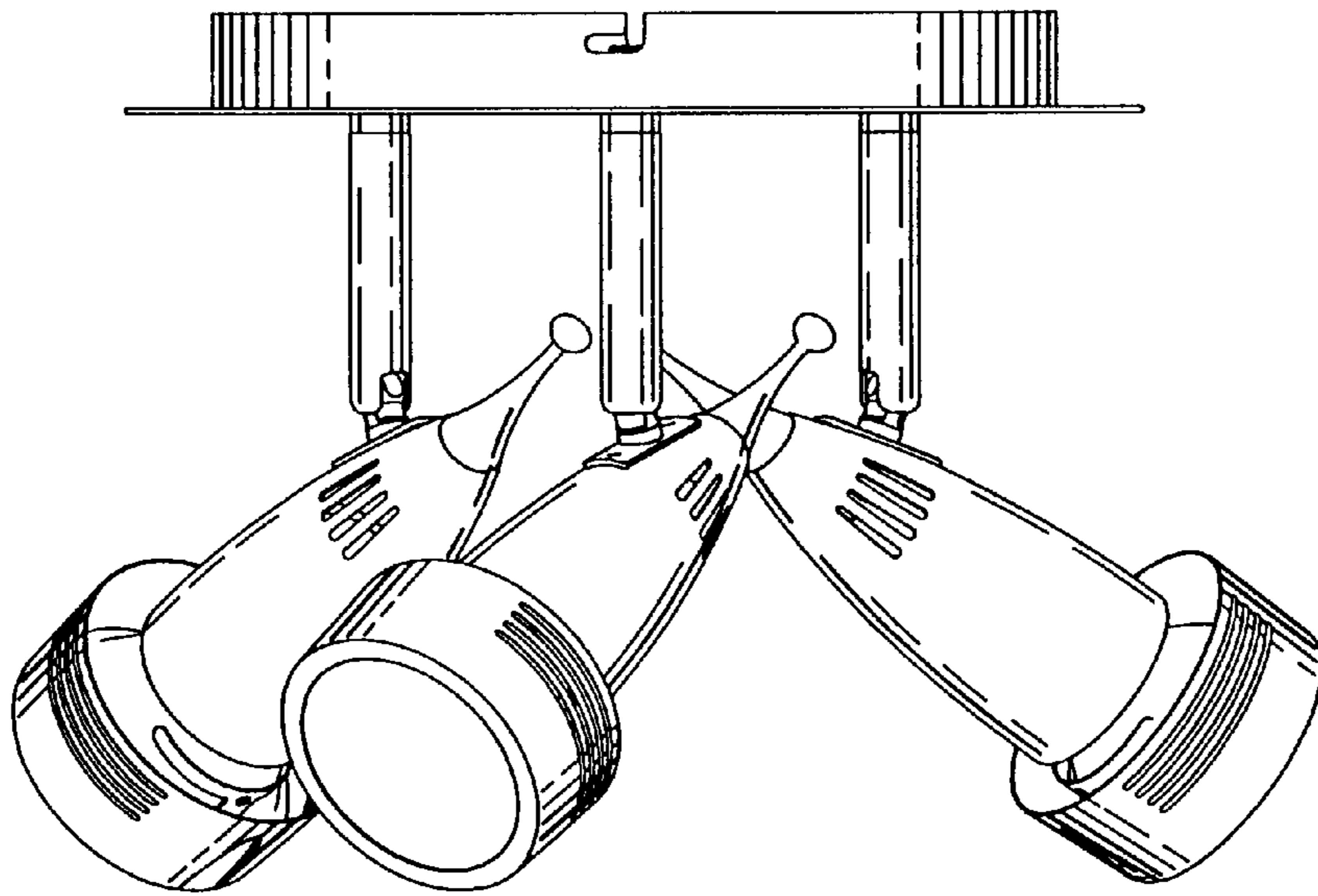


FIG. 16

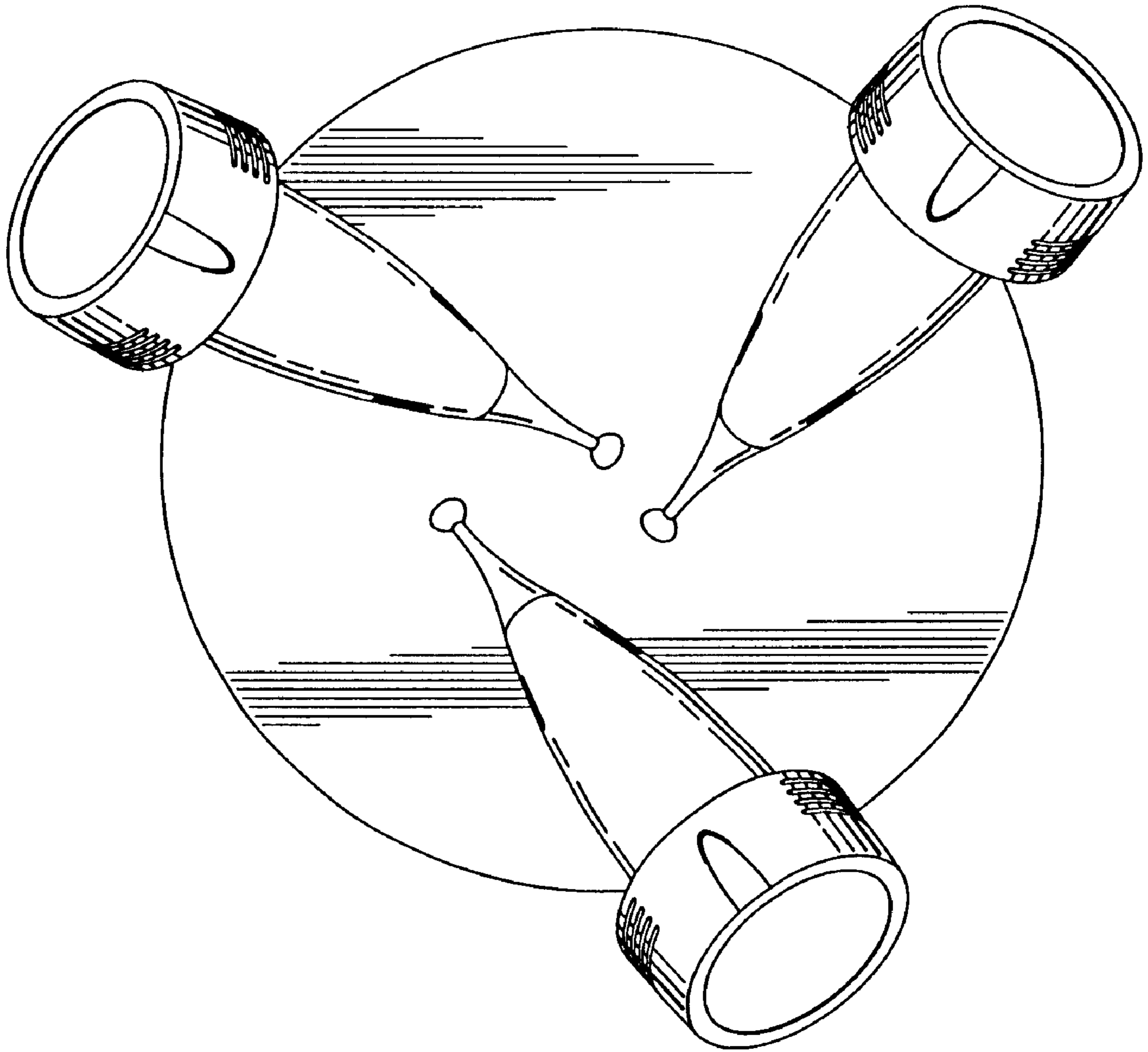


FIG. 17