



US00D448507B1

(12) **United States Design Patent**
Shen

(10) **Patent No.:** **US D448,507 S**

(45) **Date of Patent:** **** Sep. 25, 2001**

(54) **DESK LAMP**

D. 439,358 * 3/2001 Lin D26/65

(75) Inventor: **Kar Chun Shen**, Connaught Road
Central (HK)

* cited by examiner

(73) Assignee: **Kadesum Limited**, Connaught Road
Central (HK)

Primary Examiner—Susan J. Lucas

(74) *Attorney, Agent, or Firm*—Leydig, Voit & Mayer, Ltd.

(**) Term: **14 Years**

(57) **CLAIM**

The ornamental design for a desk lamp, as shown and described.

(21) Appl. No.: **29/133,065**

DESCRIPTION

(22) Filed: **Nov. 22, 2000**

(51) **LOC (7) Cl.** **26-05**

(52) **U.S. Cl.** **D26/63**

(58) **Field of Search** D26/60–66; 362/267,
362/269, 281, 285, 478, 419, 427, 430,
404–414

FIG. 1 is a right side elevational view of a desk lamp showing my new design;

FIG. 2 is a left side elevational view thereof;

FIG. 3 is a front elevational view thereof;

FIG. 4 is a rear elevational view thereof;

FIG. 5 is a top plan view thereof; and,

FIG. 6 is a bottom plan view thereof.

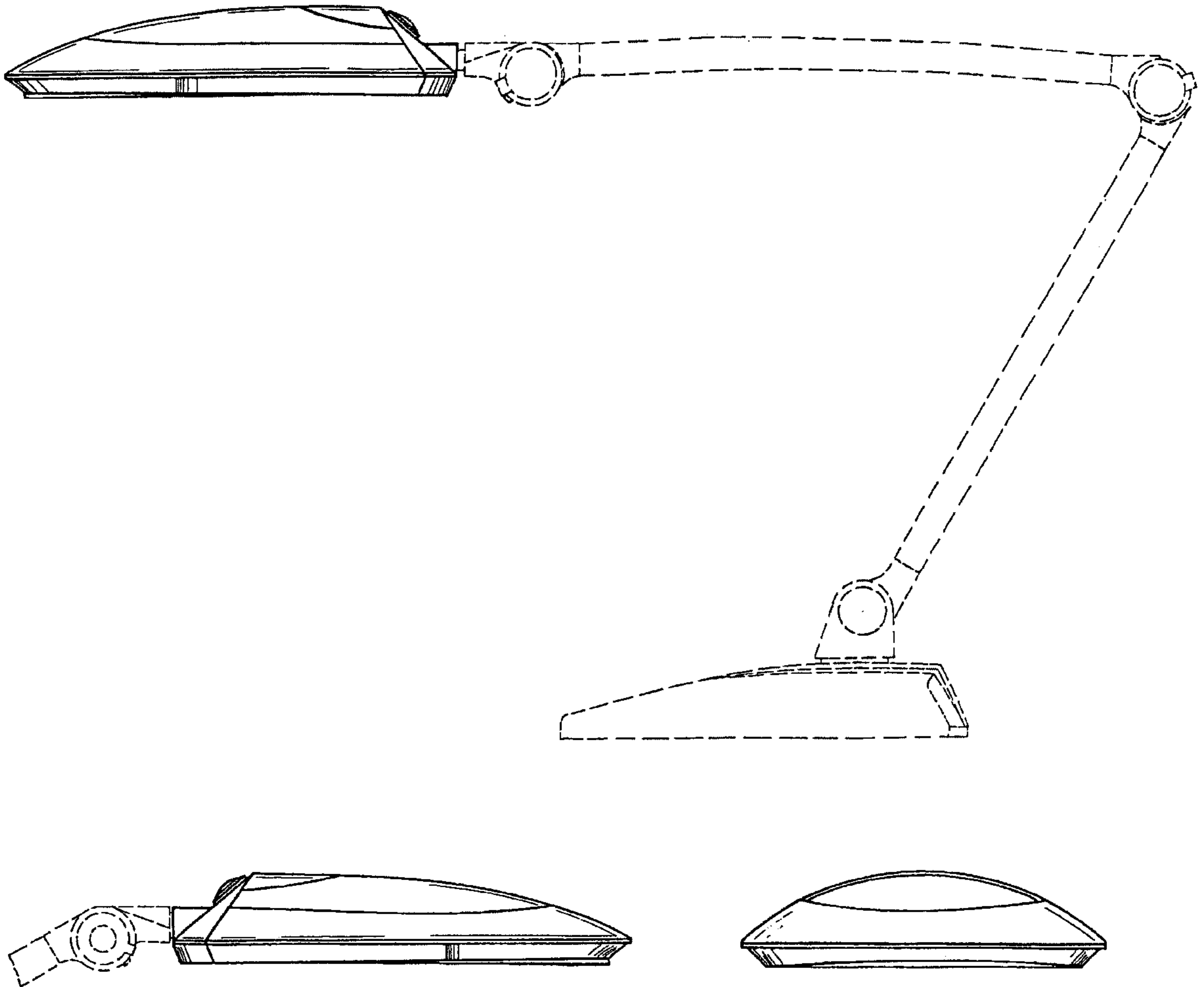
The adjustable arm is shown in broken lines for illustrative purposes only and forms no part of the claimed design.

(56) **References Cited**

U.S. PATENT DOCUMENTS

D. 369,876 5/1996 Muellenmeister D26/63

1 Claim, 3 Drawing Sheets



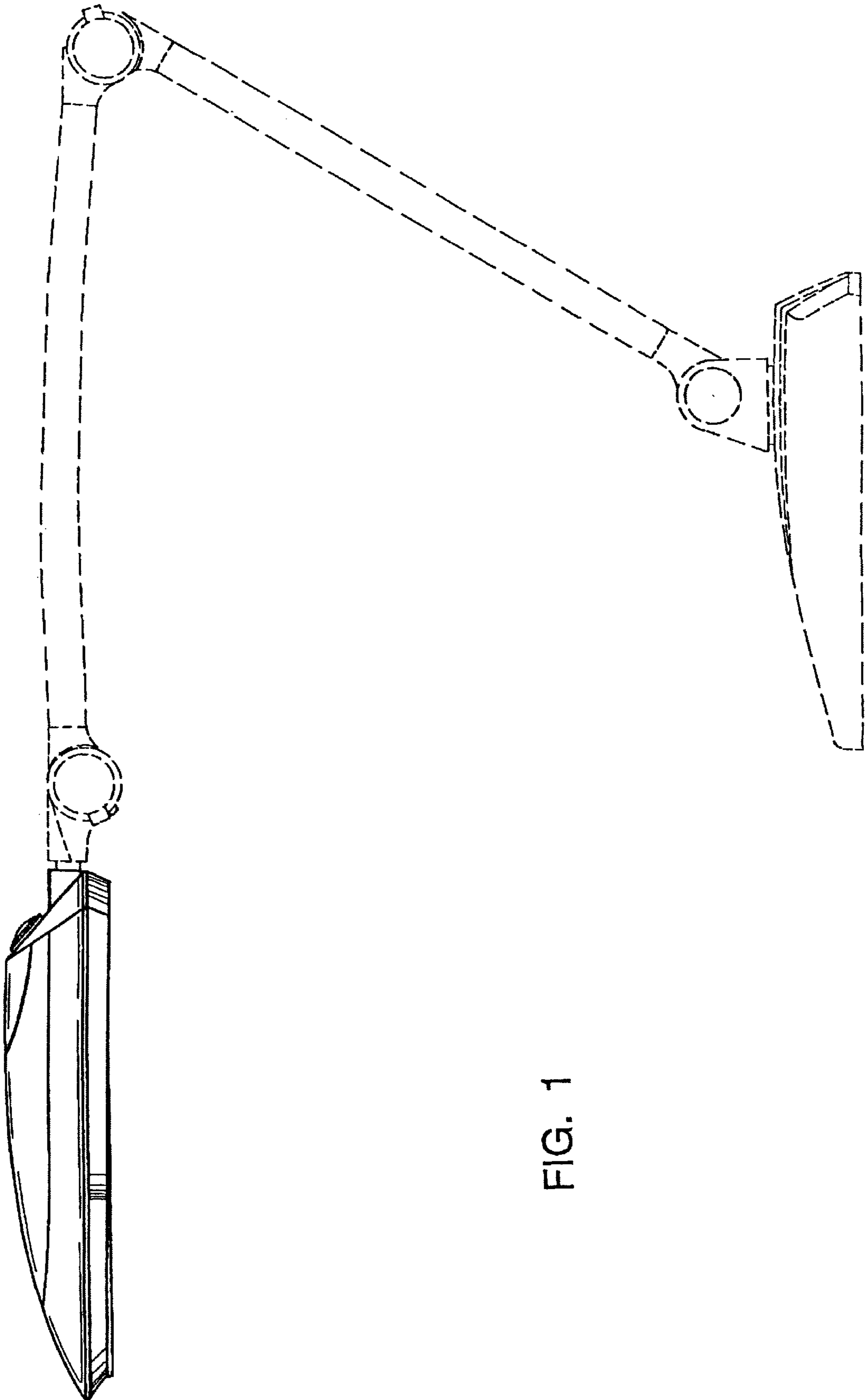


FIG. 1

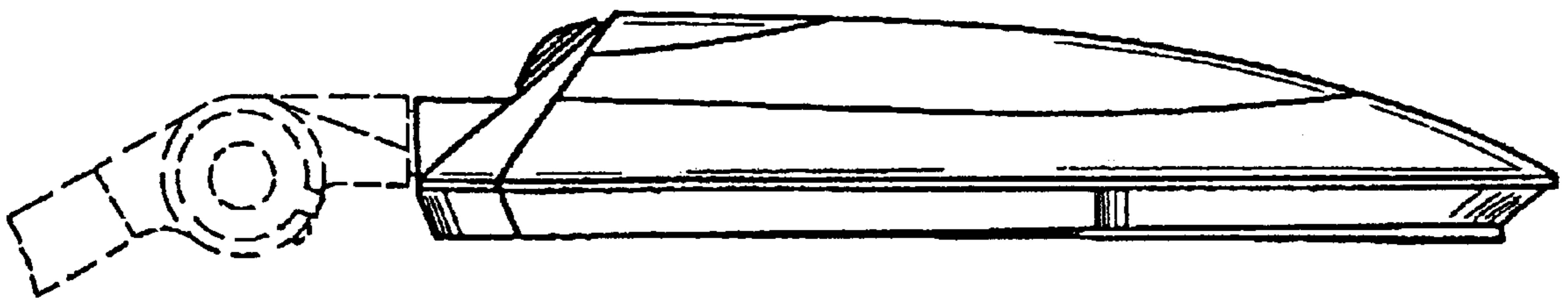


FIG. 2

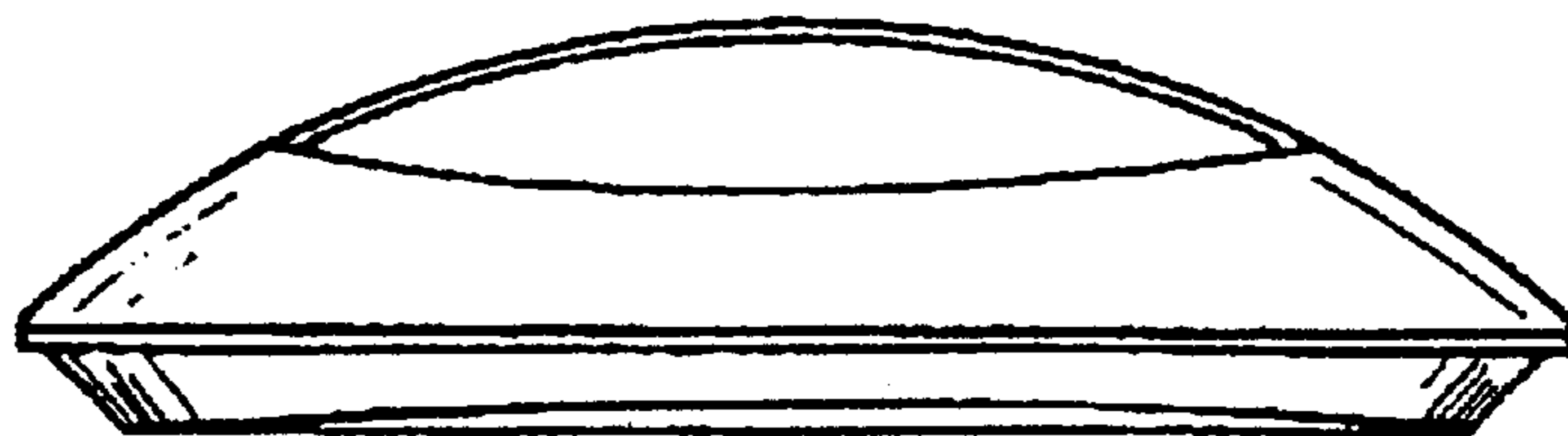


FIG. 3

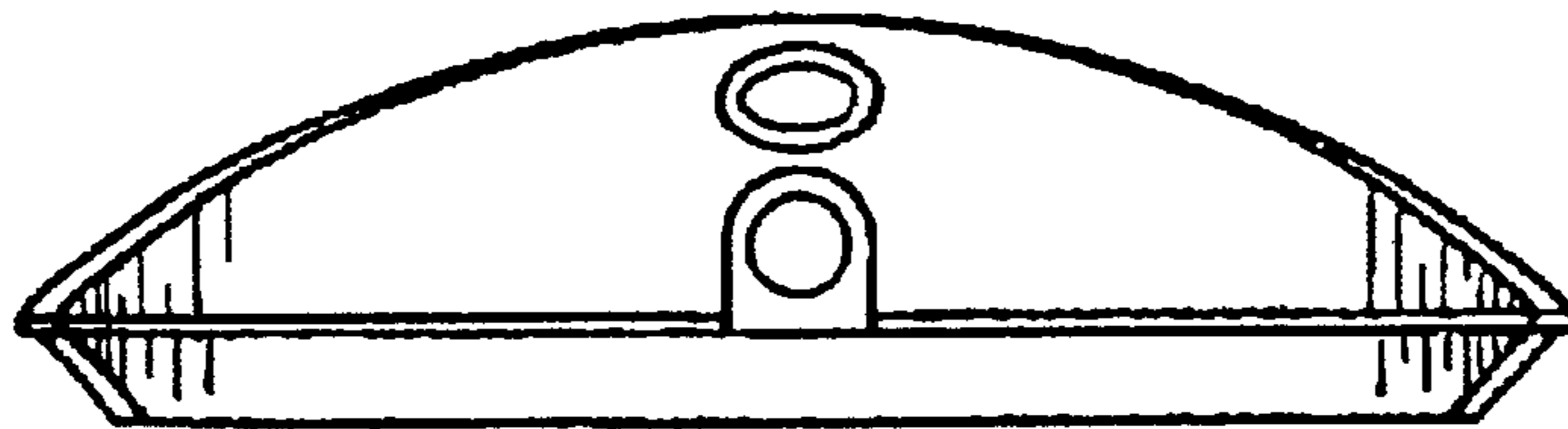


FIG. 4

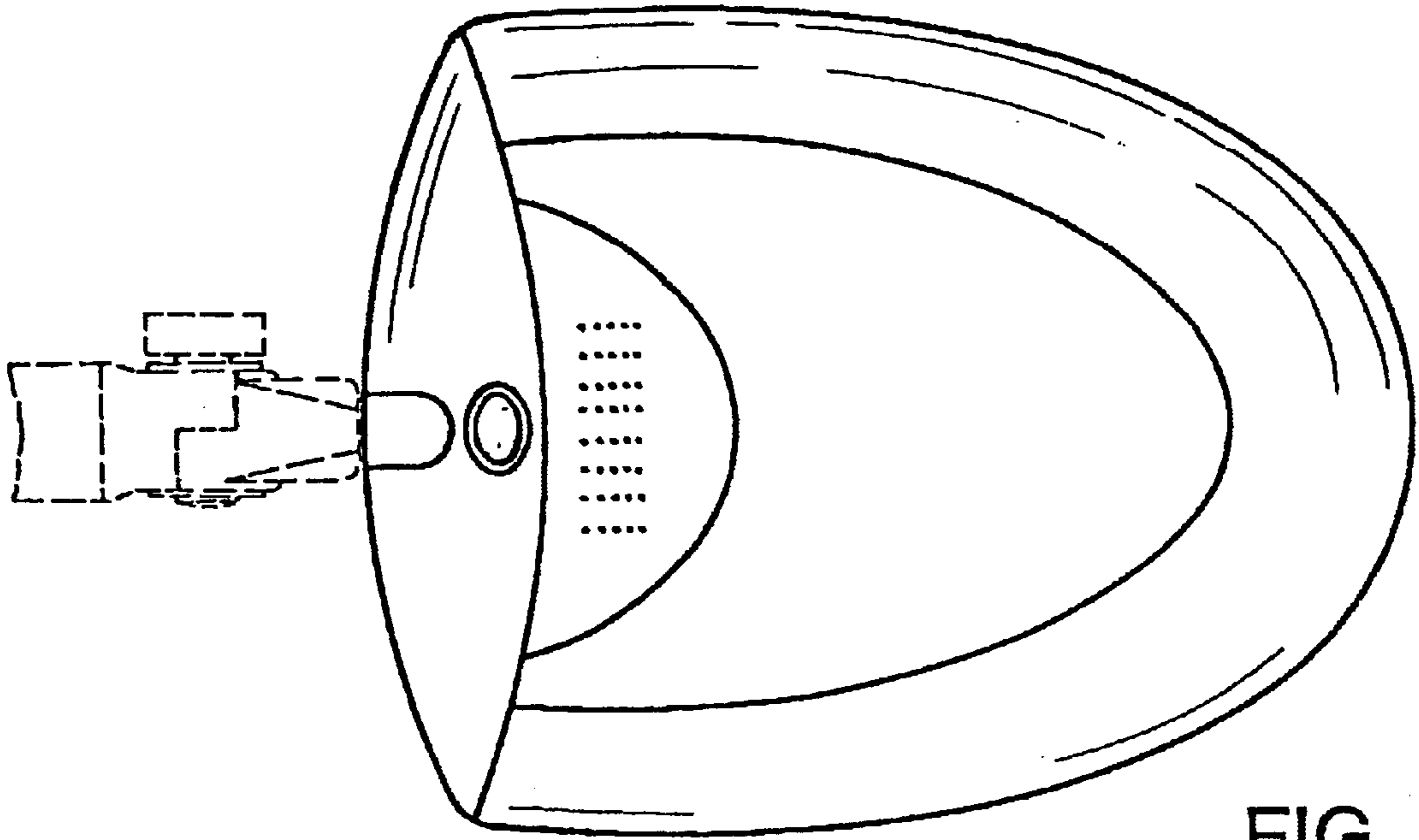


FIG. 5

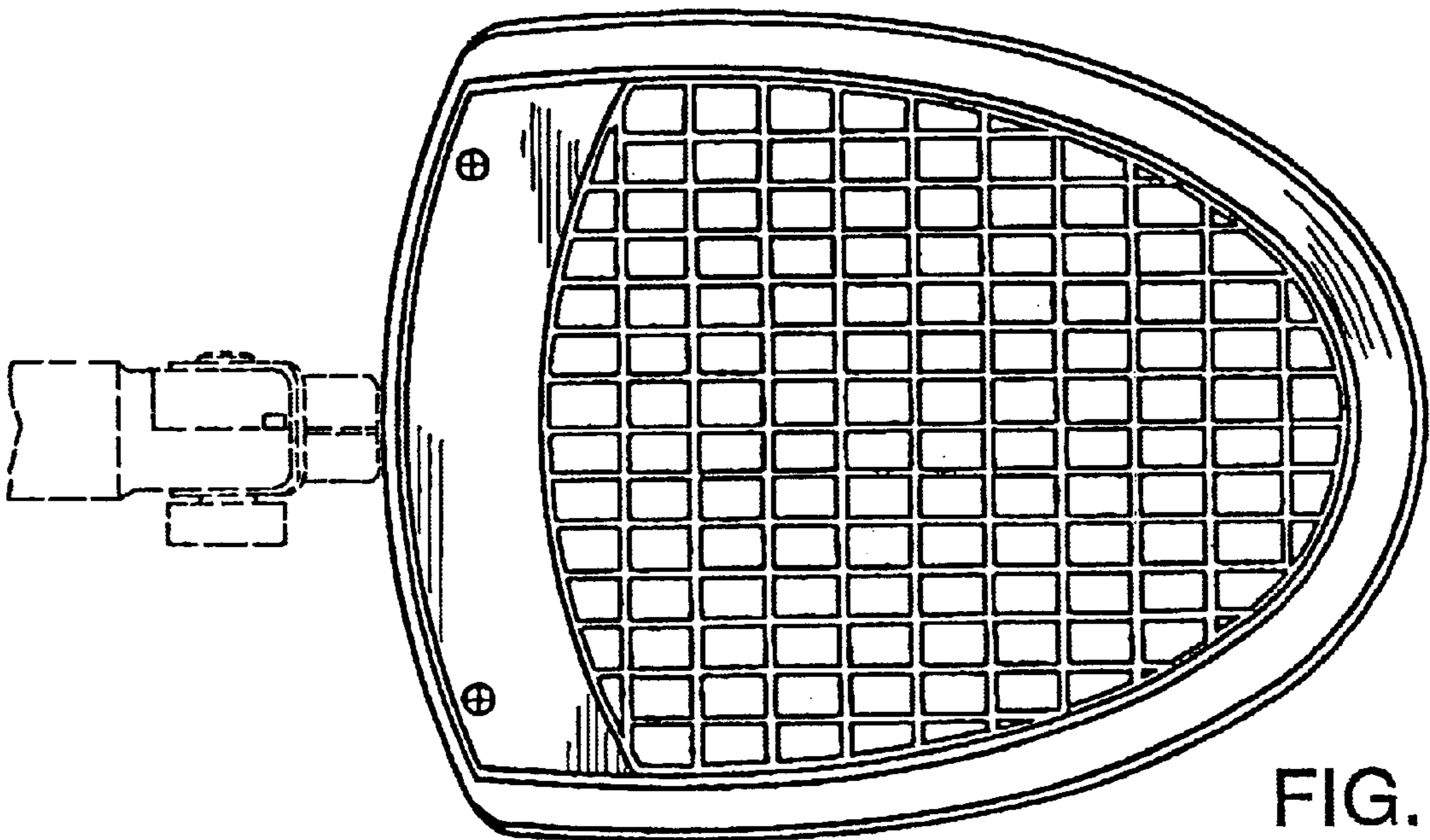


FIG. 6