



US00D448500B1

(12) **United States Design Patent**  
**Choi**

(10) **Patent No.:** **US D448,500 S**

(45) **Date of Patent:** **\*\* Sep. 25, 2001**

(54) **FLUORESCENT LAMP**

D. 359,571 \* 6/1995 Abbott ..... D26/3

D. 418,936 \* 1/2000 Dunning ..... D26/3

(75) Inventor: **Keun Chol Choi**, Kyungkido (KR)

\* cited by examiner

(73) Assignee: **Jungwoo International Inc.**,  
Kyungki-do (KR)

*Primary Examiner*—Marcus A. Jackson

(74) *Attorney, Agent, or Firm*—Bacon & Thomas, PLLC

(\*\*) Term: **14 Years**

(57) **CLAIM**

(21) Appl. No.: **29/135,326**

The ornamental design for a fluorescent lamp, as shown and described.

(22) Filed: **Jan. 11, 2001**

**DESCRIPTION**

(51) **LOC (7) Cl.** ..... **26-04**

FIG. 1 is a perspective view of a compact fluorescent lamp showing my new design;

(52) **U.S. Cl.** ..... **D26/3**

FIG. 2 is a front elevational view thereof;

(58) **Field of Search** ..... D26/1, 2, 3, 4;  
313/313, 318, 485, 493, 567, 569, 578,  
579, 580

FIG. 3 is a rear elevational view thereof;

FIG. 4 is a left side elevational view thereof;

FIG. 5 is a top plan view thereof; and,

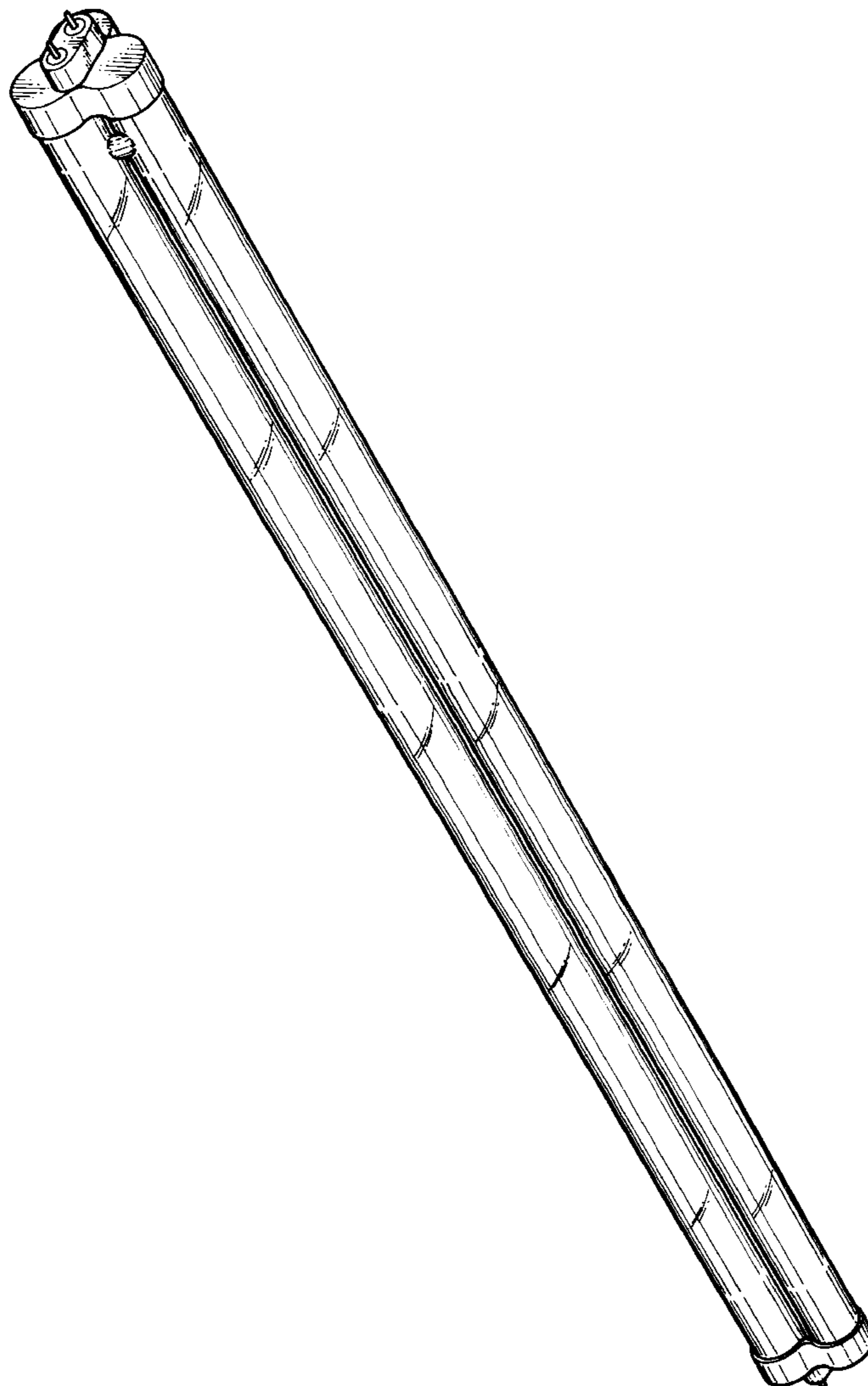
FIG. 6 is an enlarged section view along lines 6—6 in FIG. 2.

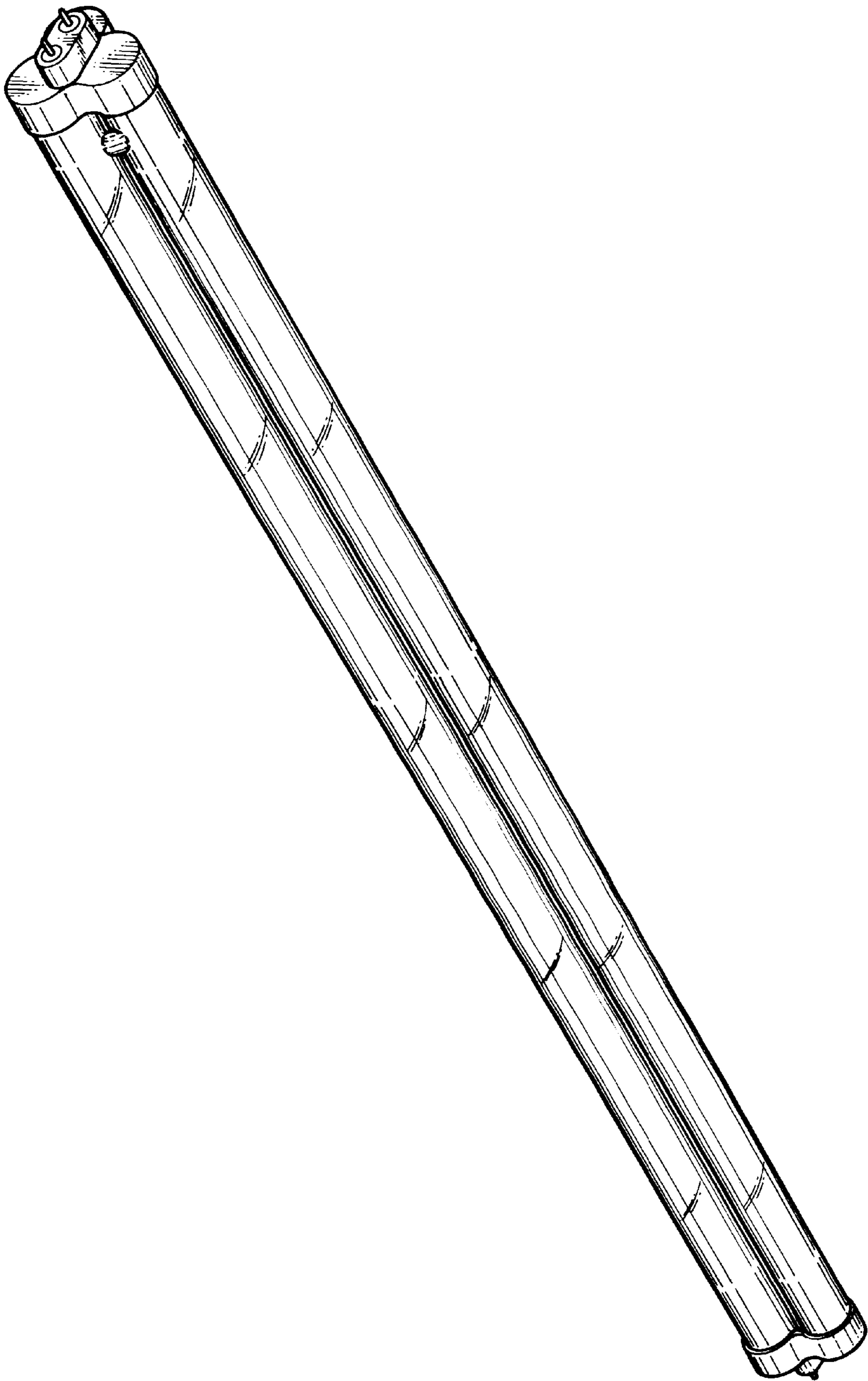
(56) **References Cited**

**U.S. PATENT DOCUMENTS**

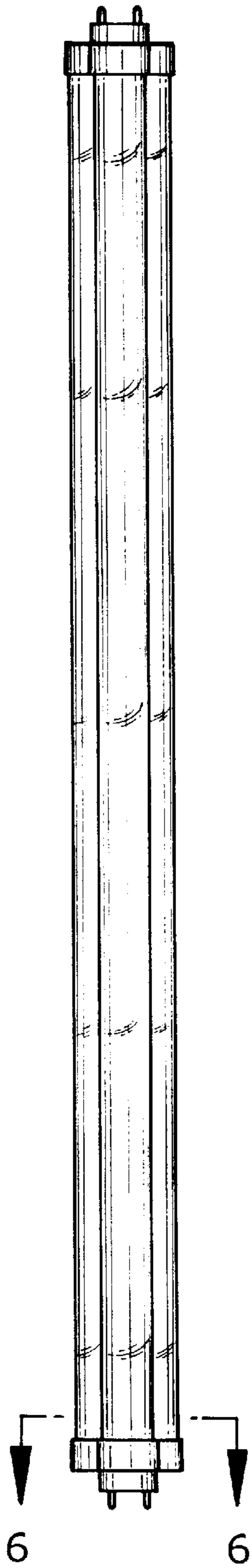
D. 354,360 \* 1/1995 Murata ..... D26/3

**1 Claim, 2 Drawing Sheets**

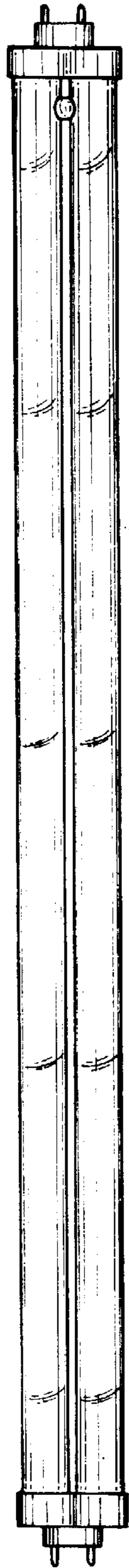




**Fig. 1**



**Fig. 2**



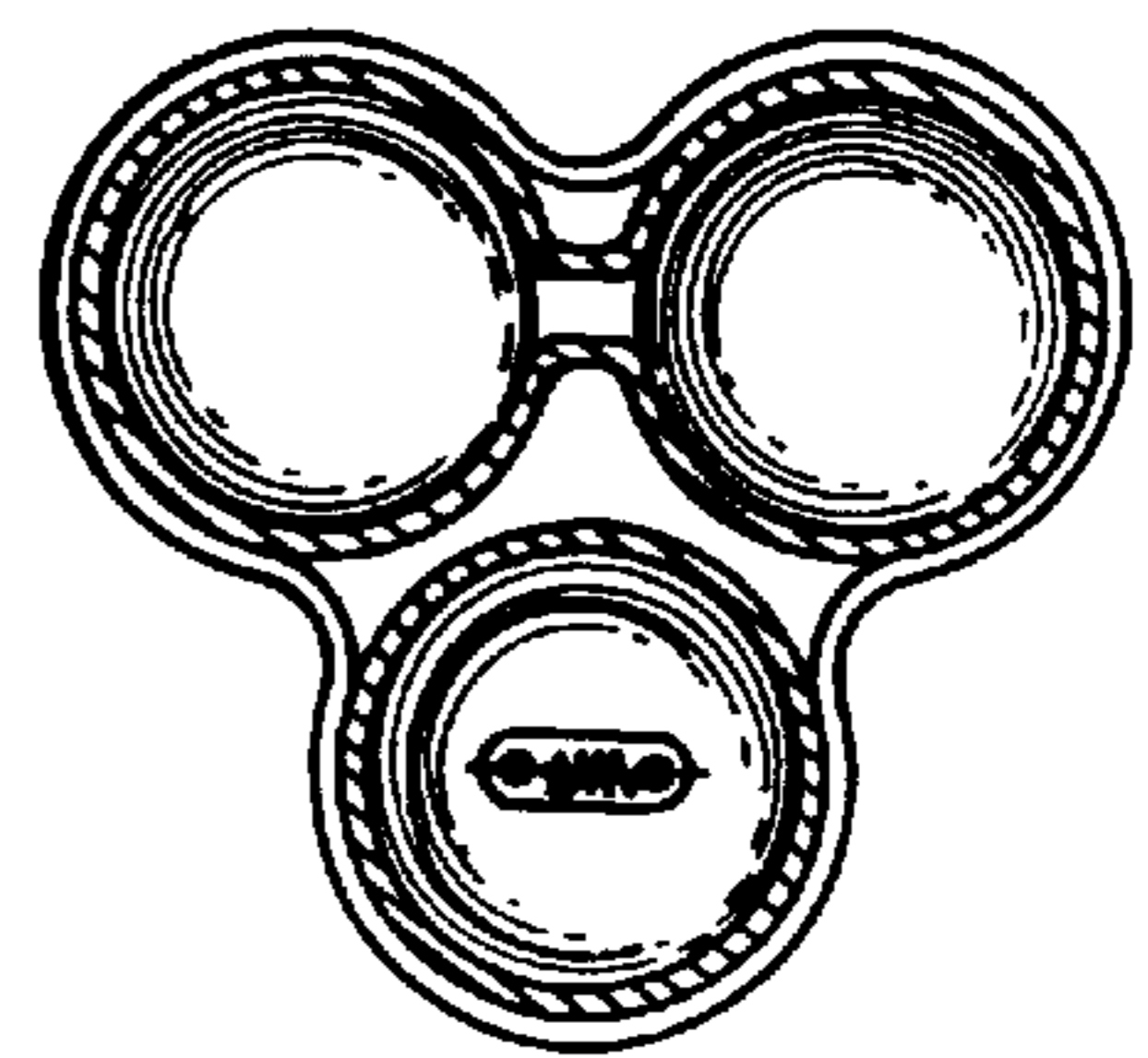
**Fig. 3**



**Fig. 4**



**Fig. 5**



**Fig. 6**