



US00D448499B1

(12) **United States Design Patent**
Choi

(10) **Patent No.:** **US D448,499 S**

(45) **Date of Patent:** **** Sep. 25, 2001**

(54) **FLUORESCENT LAMP**

D. 359,571 * 6/1995 Abbott D26/3

D. 418,436 * 1/2000 Dunning D26/3

(75) Inventor: **Keun Chol Choi**, Puchon (KR)

* cited by examiner

(73) Assignee: **Jungwoo International Inc.**,
Kyungki-do (KR)

Primary Examiner—Marcus A. Jackson

(74) *Attorney, Agent, or Firm*—Bacon & Thomas, PLLC

(**) Term: **14 Years**

(57) **CLAIM**

(21) Appl. No.: **29/135,325**

The ornamental design for a fluorescent lamp, as shown and described.

(22) Filed: **Jan. 11, 2001**

DESCRIPTION

(51) **LOC (7) Cl.** **26-04**

(52) **U.S. Cl.** **D26/3**

(58) **Field of Search** D26/1, 2, 3, 4;
313/313, 318, 485, 493, 567, 569, 578,
579, 580

FIG. 1 is a perspective view of a compact fluorescent lamp showing my new design;

FIG. 2 is a front elevational view thereof;

FIG. 3 is a left side elevational view thereof;

FIG. 4 is a top plan view thereof; and,

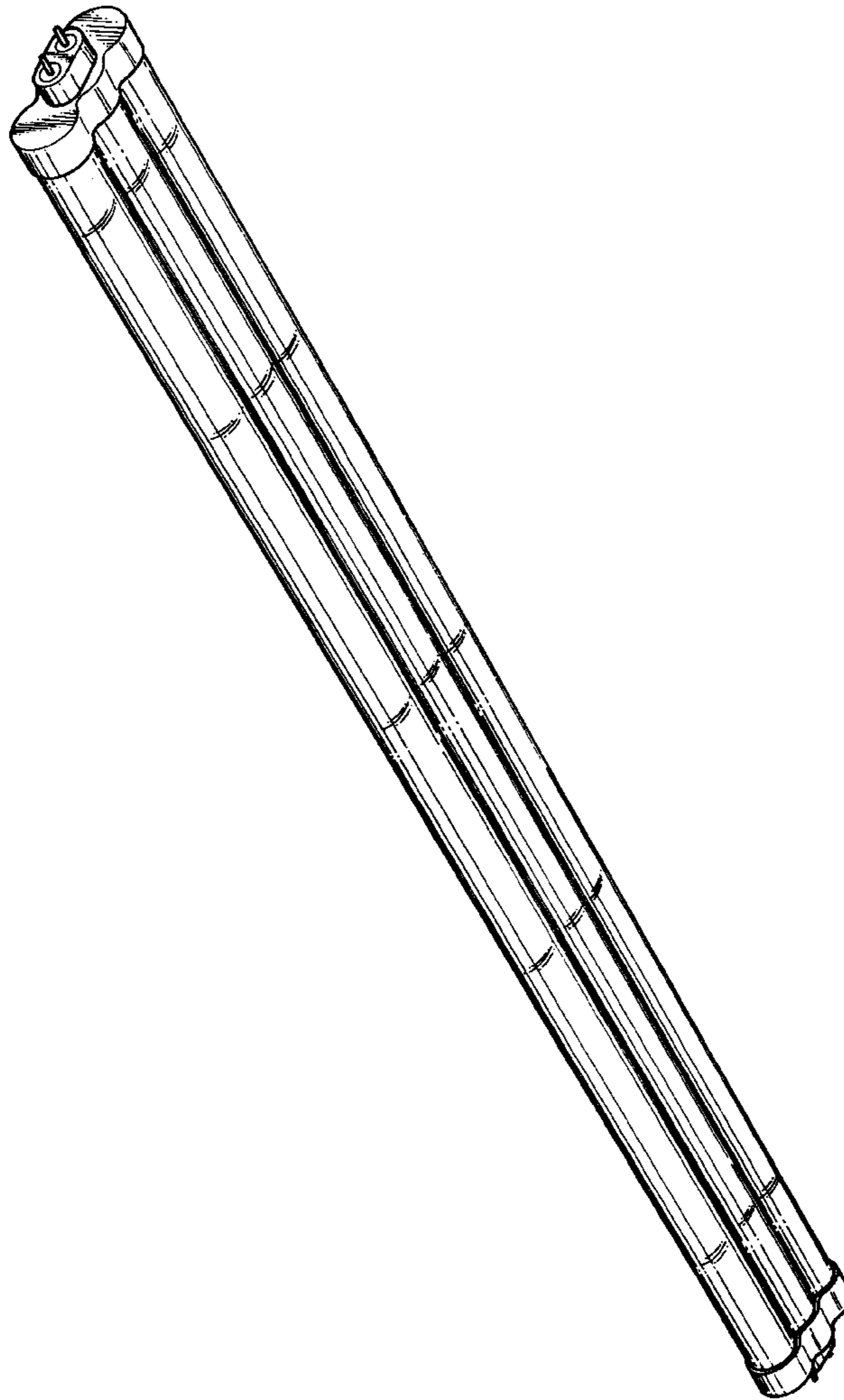
FIG. 5 is an enlarged section view along lines 5—5 in FIG. 2.

(56) **References Cited**

U.S. PATENT DOCUMENTS

D. 354,360 * 1/1995 Murata D26/3

1 Claim, 2 Drawing Sheets



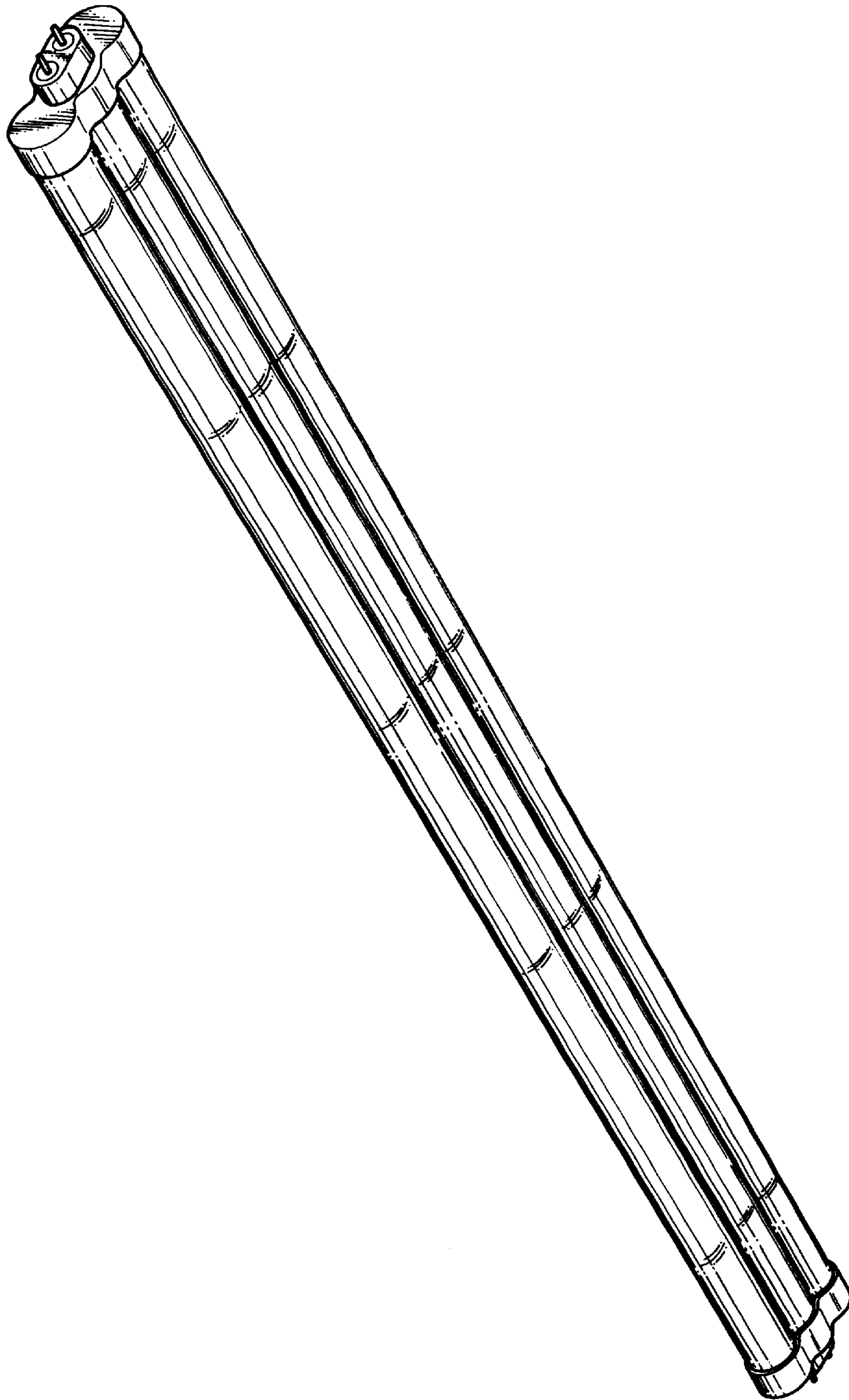


Fig.1

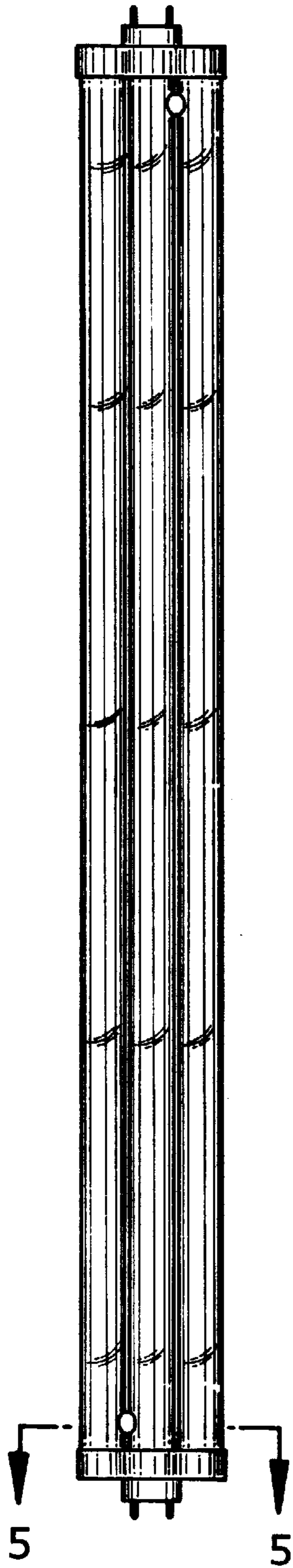


Fig.2

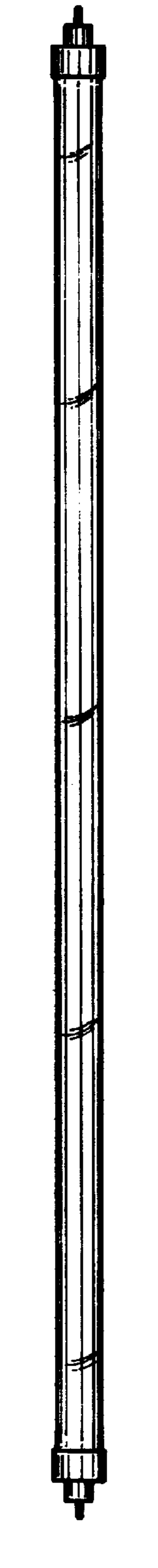


Fig.3



Fig.4

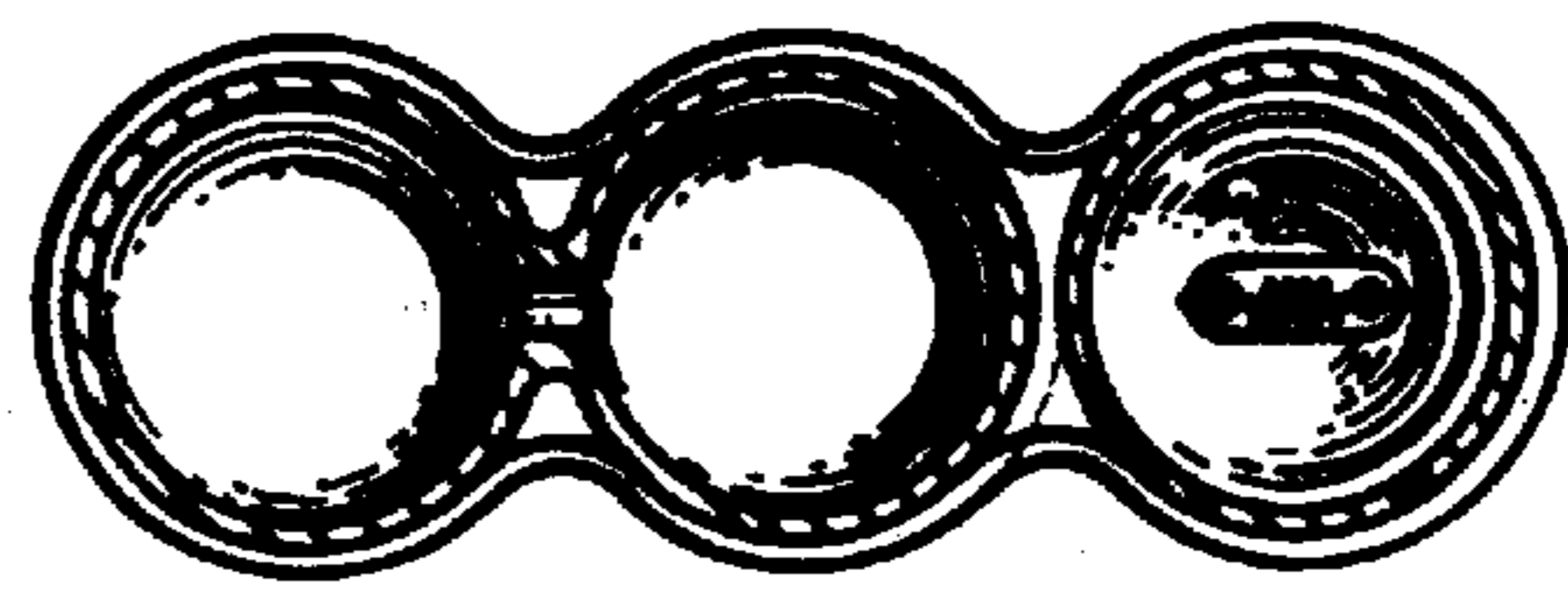


Fig.5