



US00D448497B1

(12) **United States Design Patent**
Cole

(10) **Patent No.:** **US D448,497 S**

(45) **Date of Patent:** **** Sep. 25, 2001**

(54) **WINDOW COMPONENT EXTRUSION**

(75) Inventor: **Douglas L. Cole**, Seattle, WA (US)

(73) Assignee: **Mikron Industries, Inc.**, Kent, WA (US)

(**) Term: **14 Years**

(21) Appl. No.: **29/130,822**

(22) Filed: **Oct. 10, 2000**

(51) **LOC (7) Cl.** **25-01**

(52) **U.S. Cl.** **D25/124**

(58) **Field of Search** D25/60, 52, 119-125;
52/204.1, 204.5, 730.3, 730.4, 730.5, 210,
204.55, 205.56, 204.6, 214; 49/504, DIG. 2,
407, 505, 408, 404, 413, 419

(56) **References Cited**

U.S. PATENT DOCUMENTS

D. 375,807 11/1996 Goss .

D. 402,061 * 12/1998 Leonelli D25/124

OTHER PUBLICATIONS

Douglas L. Cole, Mikron Part No. 7893, Mikron Industries, Inc.; Kent, WA. The design was either known by others prior to the conception of the present invention or offered for sale more than one year prior to the filing date of the current application.

* cited by examiner

Primary Examiner—Doris Clark

(74) *Attorney, Agent, or Firm*—Richardson & Folise

(57) **CLAIM**

The ornamental design for a window component extrusion, as shown and described.

DESCRIPTION

FIG. 1 is a top right perspective view of the window component extrusion which is broken in the center indicating length; and,

FIG. 2 is a bottom left perspective view of the window component extrusion shown in FIG. 1.

1 Claim, 1 Drawing Sheet

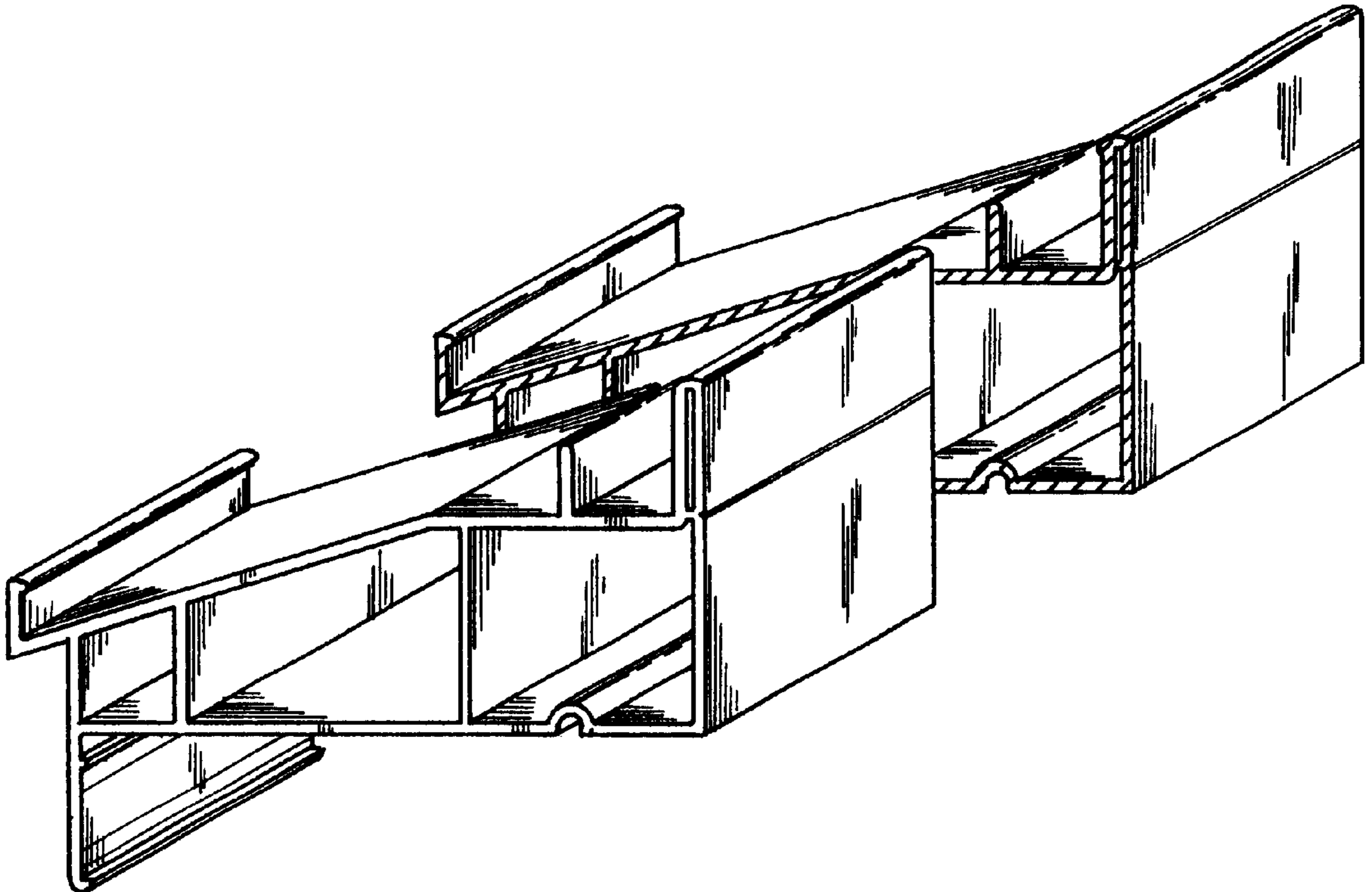


FIG. 1

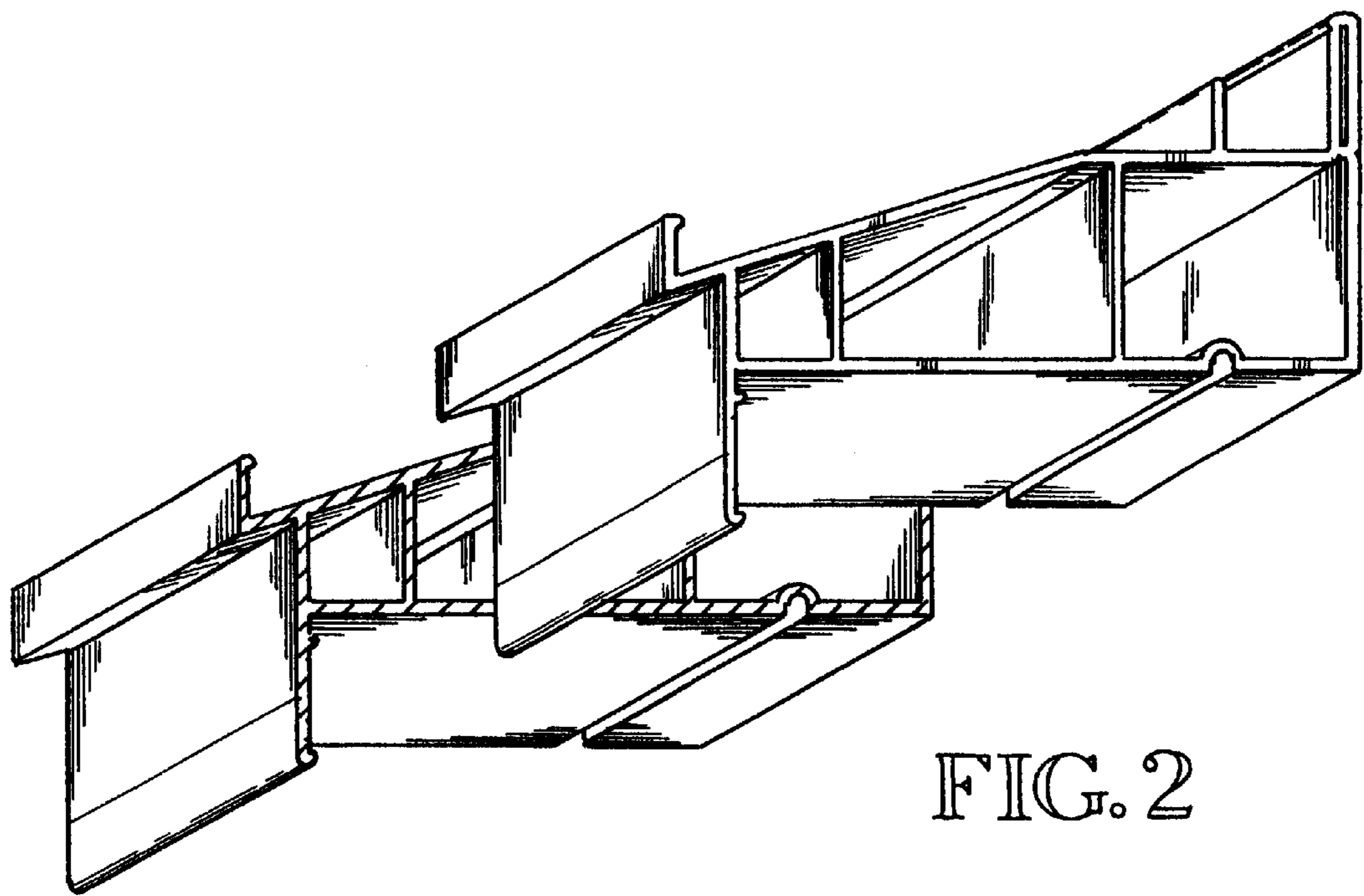
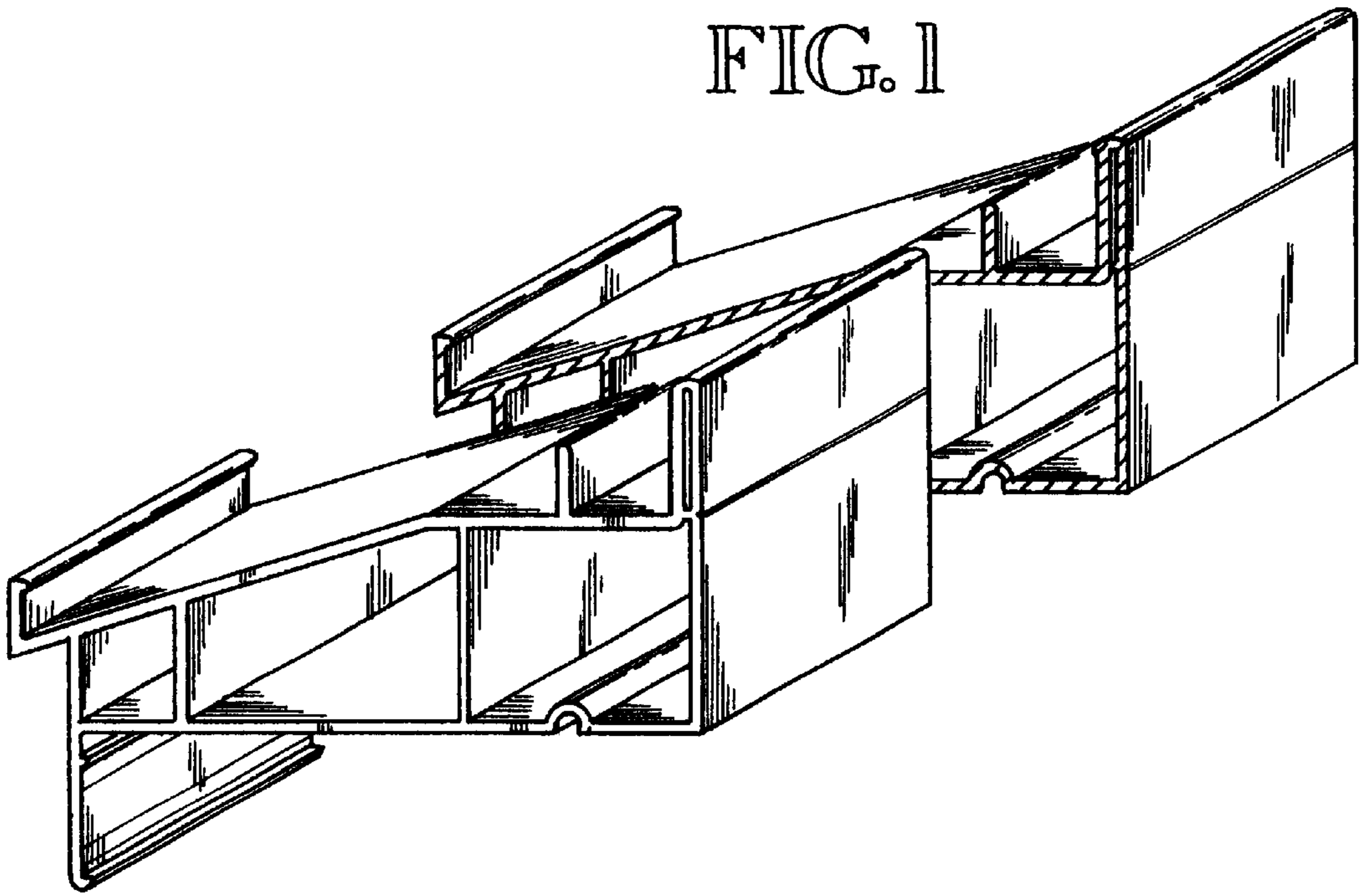


FIG. 2