



US00D448495B1

(12) **United States Design Patent**  
**Lamberts**

(10) **Patent No.:** **US D448,495 S**

(45) **Date of Patent:** **\*\* Sep. 25, 2001**

(54) **PROFILED GLASS STRUCTURE**

(75) Inventor: **Christoph Lamberts**, Wunsiedel (DE)

(73) Assignee: **Glasfabrik Lamberts GmbH & Co. KG**, Wunsiedel (DE)

(\*\*) Term: **14 Years**

(21) Appl. No.: **29/134,828**

(22) Filed: **Dec. 28, 2000**

(30) **Foreign Application Priority Data**

Jun. 30, 2000 (DE) ..... 4 00 06 394

(51) **LOC (7) Cl.** ..... **25-01**

(52) **U.S. Cl.** ..... **D25/121; D25/109**

(58) **Field of Search** ..... D25/103, 109,  
D25/110, 106, 121; 428/34, 34.1, 38, 46,  
325

(56) **References Cited**

**U.S. PATENT DOCUMENTS**

D. 27,343 *	7/1897	Basquin	.....	D25/109
D. 27,344 *	7/1897	Basquin	.....	D25/109
D. 27,345 *	7/1897	Ewen	.....	D25/109
D. 27,346 *	7/1897	Ewen	.....	D25/109

\* cited by examiner

*Primary Examiner*—Doris Clark

(74) *Attorney, Agent, or Firm*—Max Fogiel

(57) **CLAIM**

The ornamental design for profiled glass structure, as shown and described.

**DESCRIPTION**

FIG. 1 shows a top view of one end of a profiled glass structure in one embodiment.

FIG. 2 shows a front view of the profiled glass structure of FIG. 1.

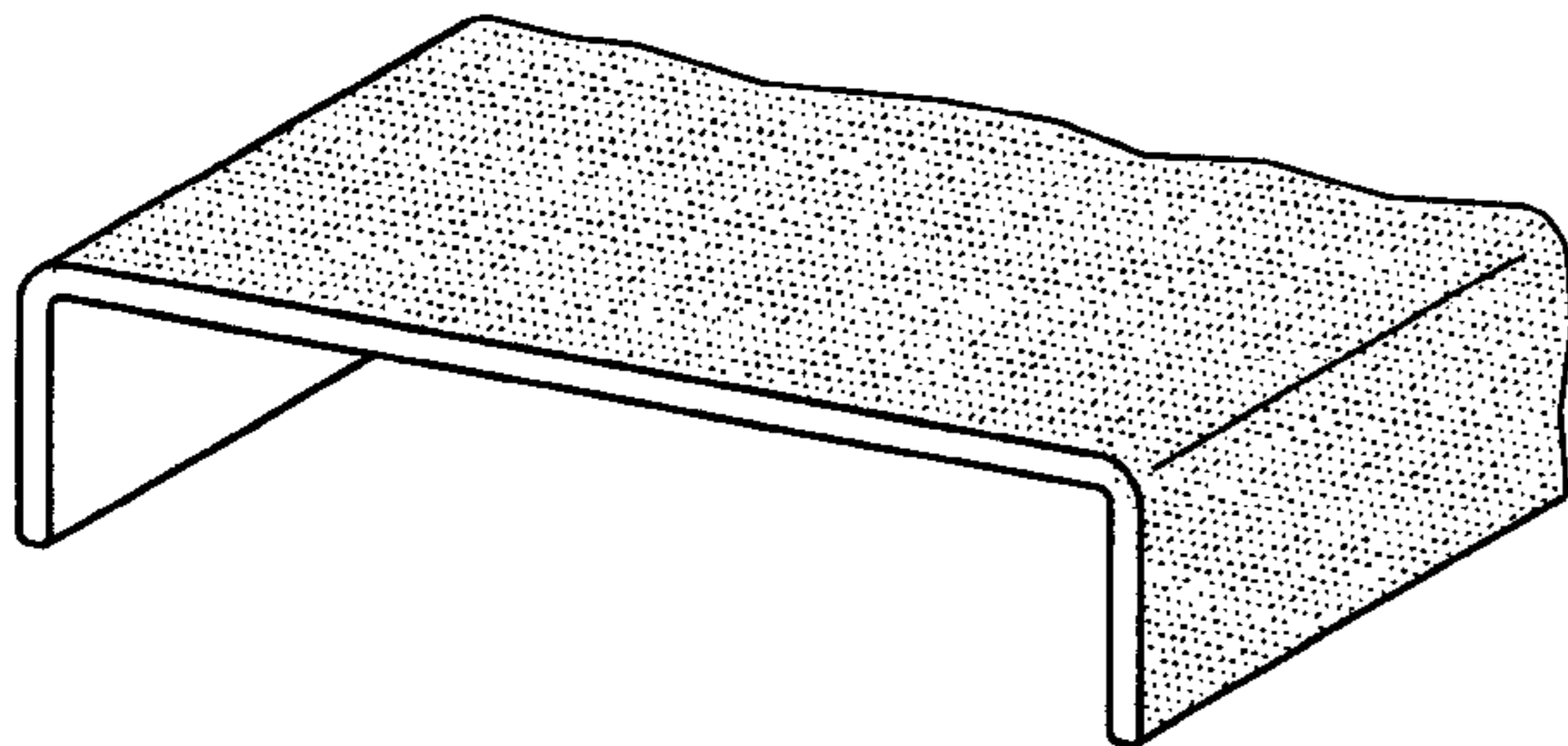


FIG. 3 shows a perspective view from the front, from the right and from the top of the end of the profiled glass structure of FIG. 1.

FIG. 4 shows an enlarged perspective view of the region in FIG. 1 that is marked by a dash-dot circle on the profiled glass structure of FIG. 1. As shown there, the fine structuring is formed by a periodic dense arrangement of indented circles.

FIG. 5 shows a top view of an end of a second embodiment of a profiled glass structure.

FIG. 6 shows a front view of the profiled glass structure according to the second embodiment in FIG. 5.

FIG. 7 shows a perspective view from the front, from the right and from the top of the end of the profiled glass structure in FIG. 5.

FIG. 8 shows an enlarged perspective view of the region in FIG. 5 that is marked by a dash-dot circle on the profiled glass structure of FIG. 5. As shown there, the fine structuring is formed by a periodic dense arrangement of indented hexagons.

FIG. 9 shows a top view of one end of a profiled glass structure in a third embodiment.

FIG. 10 shows a front view of the profiled glass structure of FIG. 9.

FIG. 11 shows a perspective view from the front, from the right and from the top of the end of the profiled glass structure of FIG. 9.

FIG. 12 shows an enlarged perspective view of the region in FIG. 9 that is marked by a dash-dot circle on the profiled glass structure of FIG. 9. As shown there, the fine structuring is formed by a periodic dense arrangement of indented six-sided shapes.

FIG. 13 shows a top view of one end of a profiled glass structure in a fourth embodiment.

FIG. 14 shows a front view of the profiled glass structure of FIG. 13.

FIG. 15 shows a perspective view from the front, from the right and from the top of the profiled glass structure of FIG. 13.

FIG. 16 shows an enlarged perspective view of the region in FIG. 13 that is marked by a dash-dot circle on the profiled glass structure of FIG. 13. As shown there, the fine structuring is formed by a periodic dense arrangement of indented triangles.

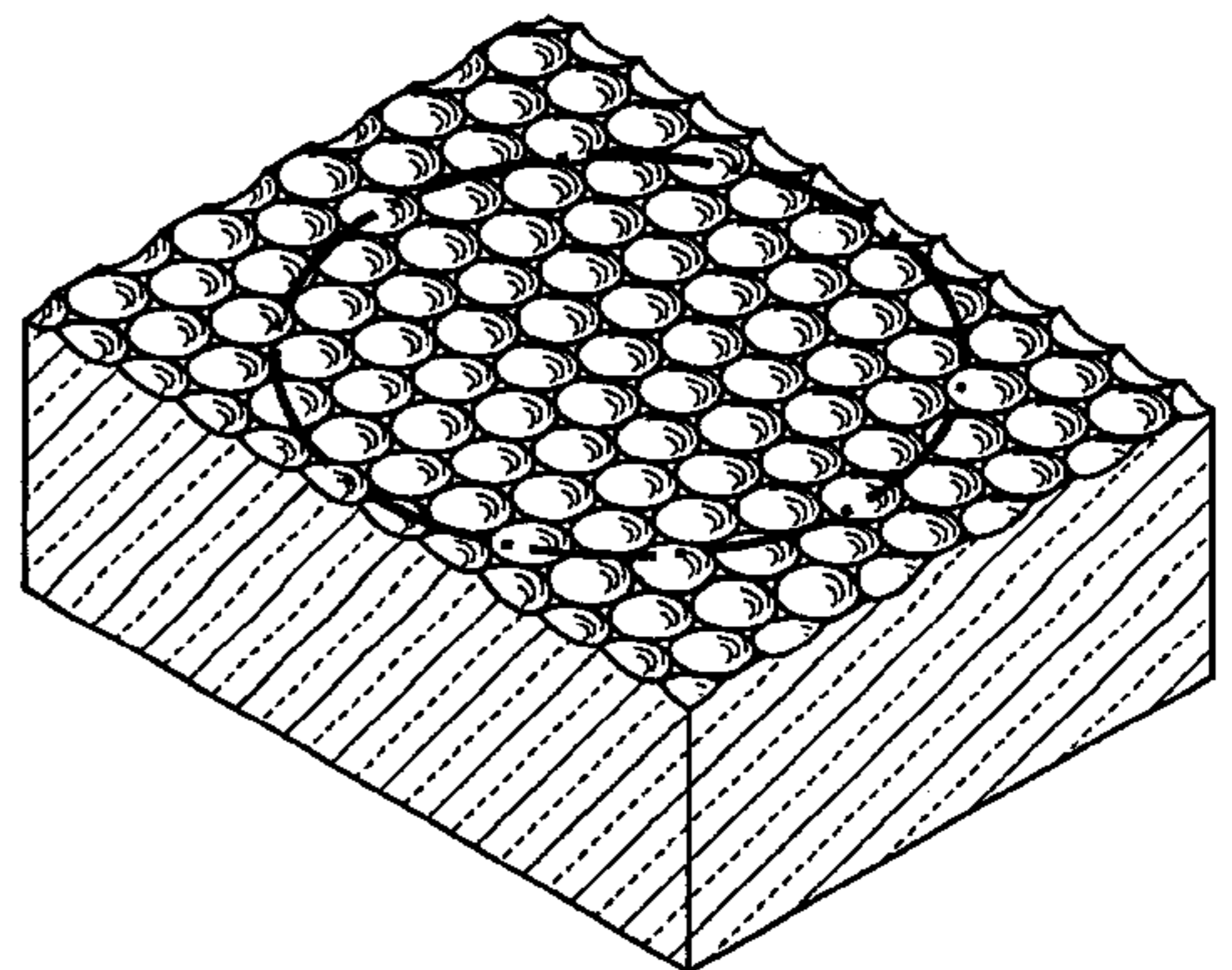


FIG. 17 shows a top view of one end of a profiled glass structure in a fifth embodiment.

FIG. 18 shows a front view of the profiled glass structure of FIG. 17.

FIG. 19 shows a perspective view from the front, from the right and from the top of the end of the profiled glass structure of FIG. 17; and,

FIG. 20 shows an enlarged perspective view of the region in FIG. 17 that is marked by a dash-dot circle on the profiled glass structure of FIG. 17. As shown there, the fine structuring is formed by a periodic dense arrangement of indented squares.

The profiled glass structure has been broken on one end to indicate indefinite length.

**1 Claim, 5 Drawing Sheets**



FIG 1

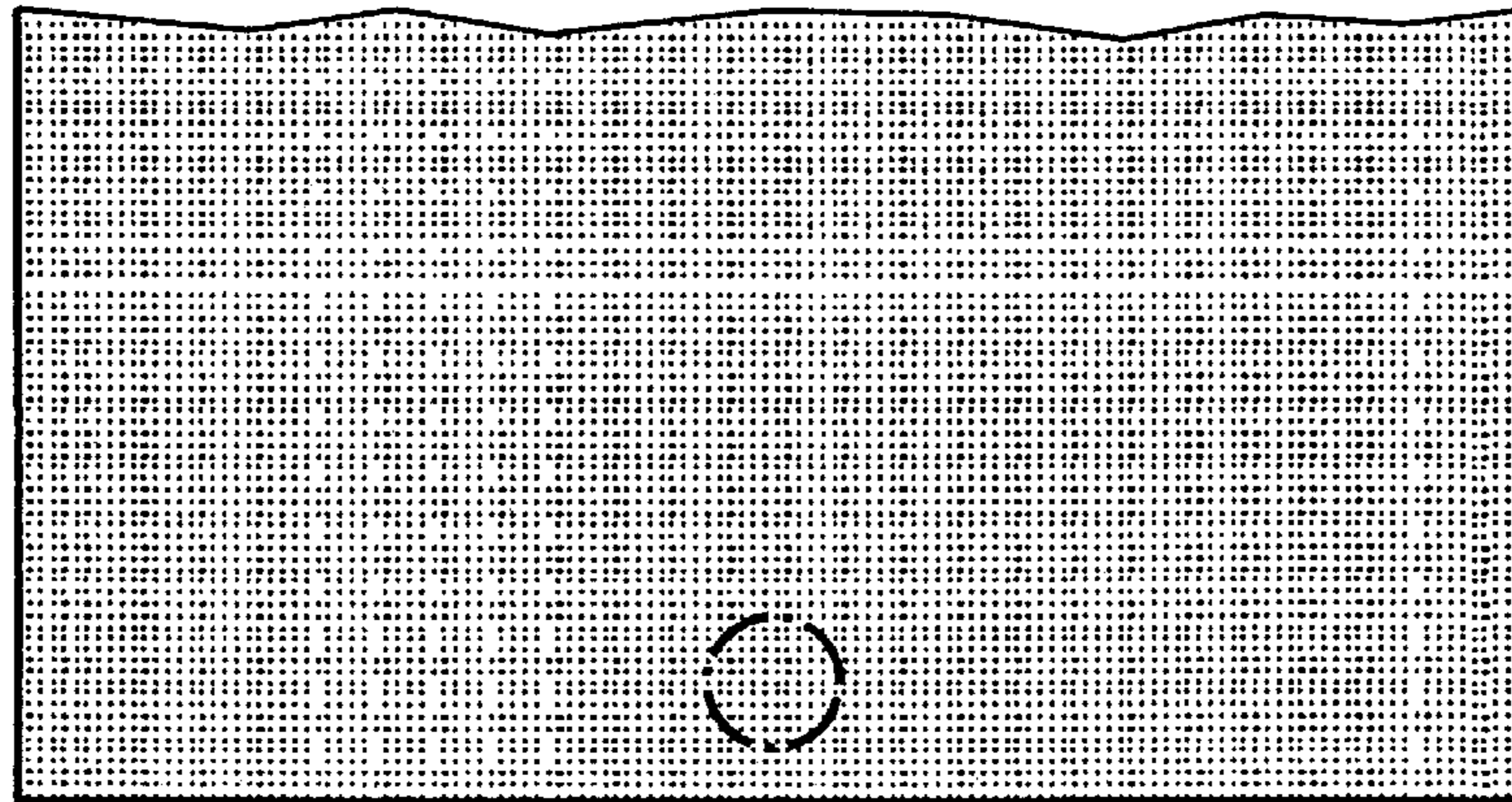


FIG 2

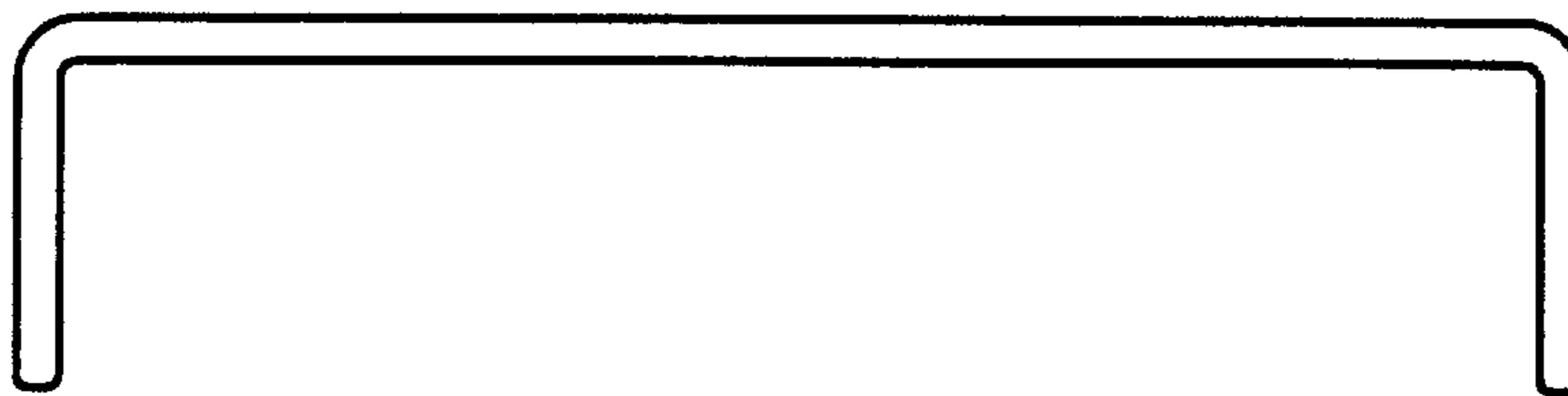


FIG 3

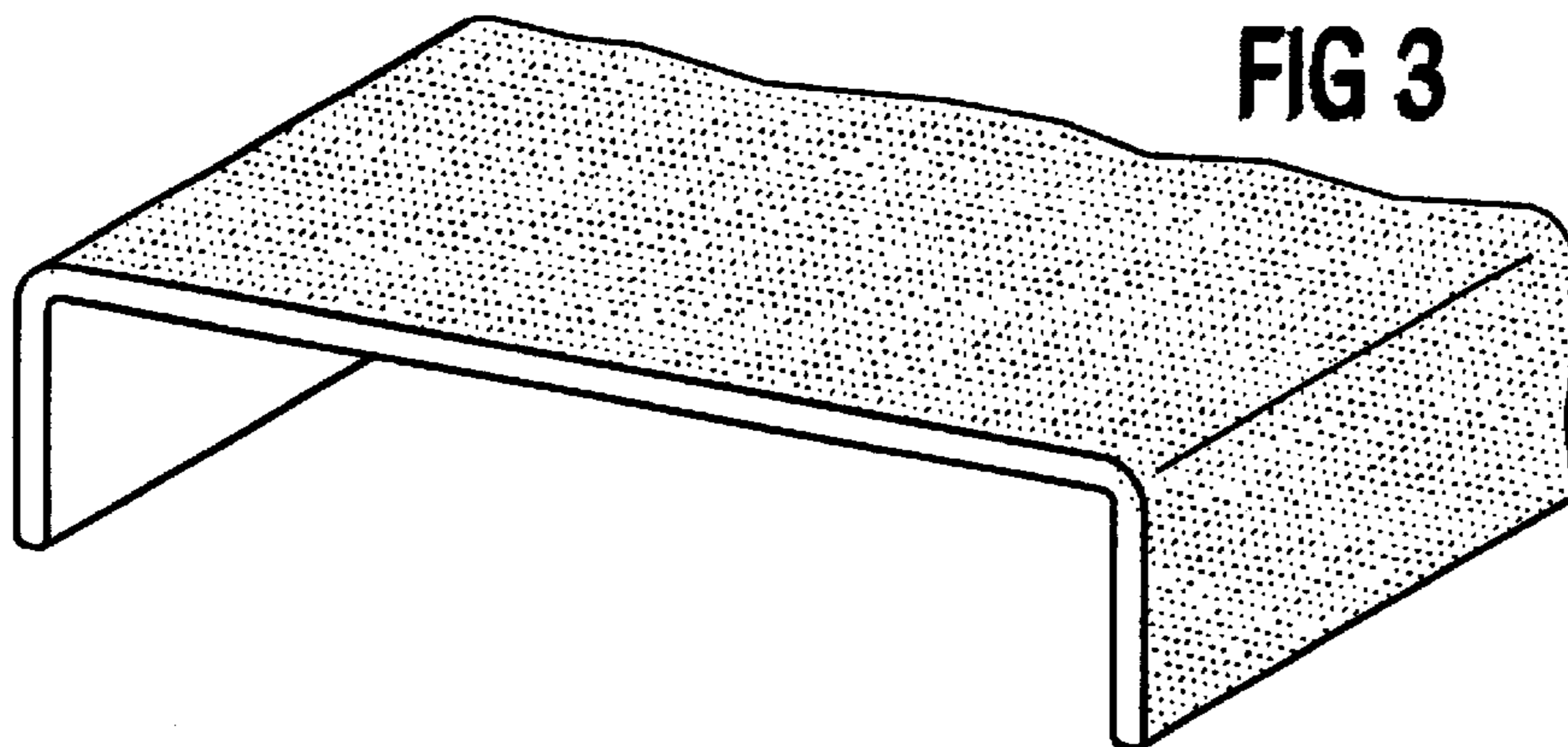


FIG 4

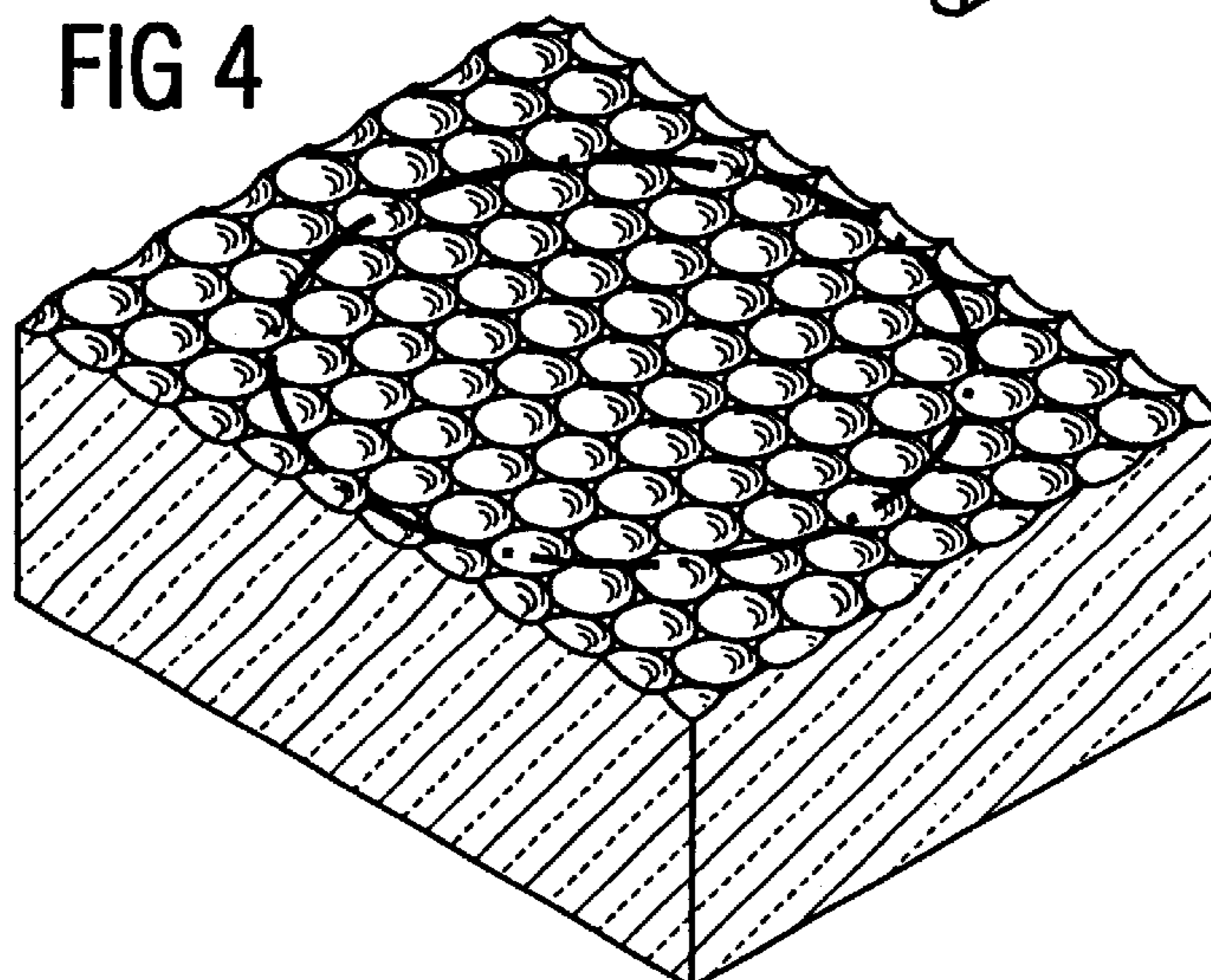


FIG 5

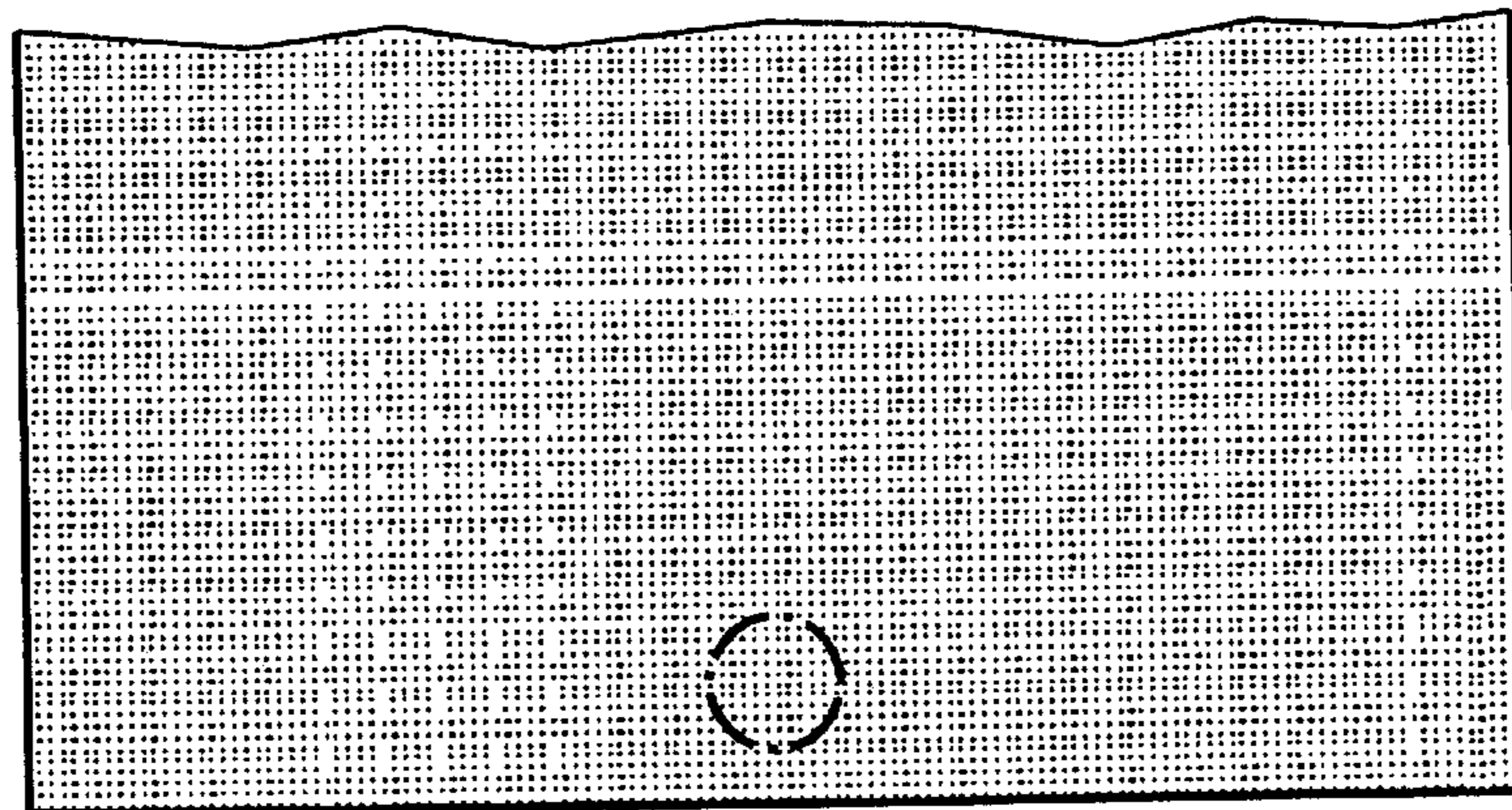


FIG 6

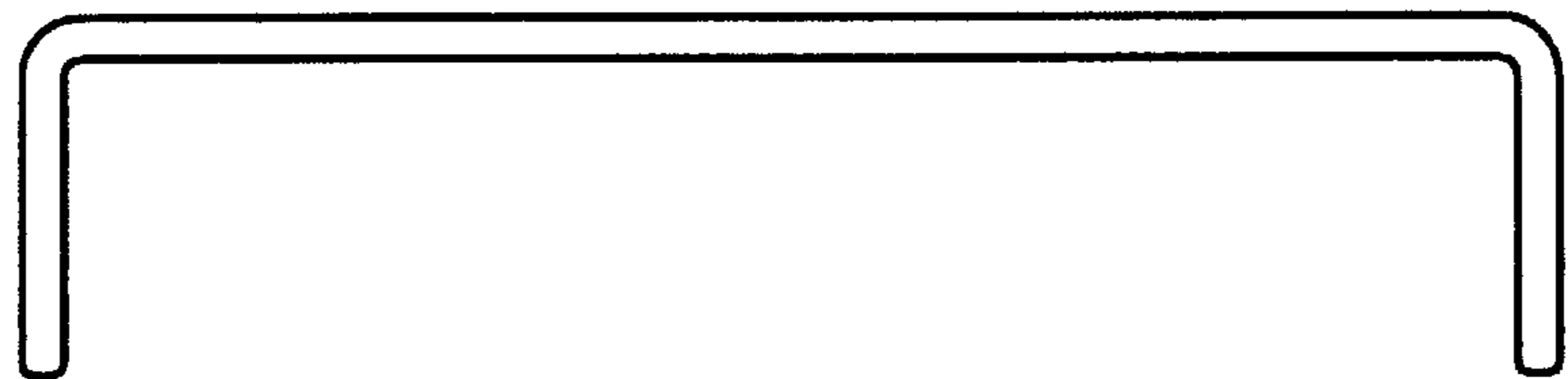


FIG 7

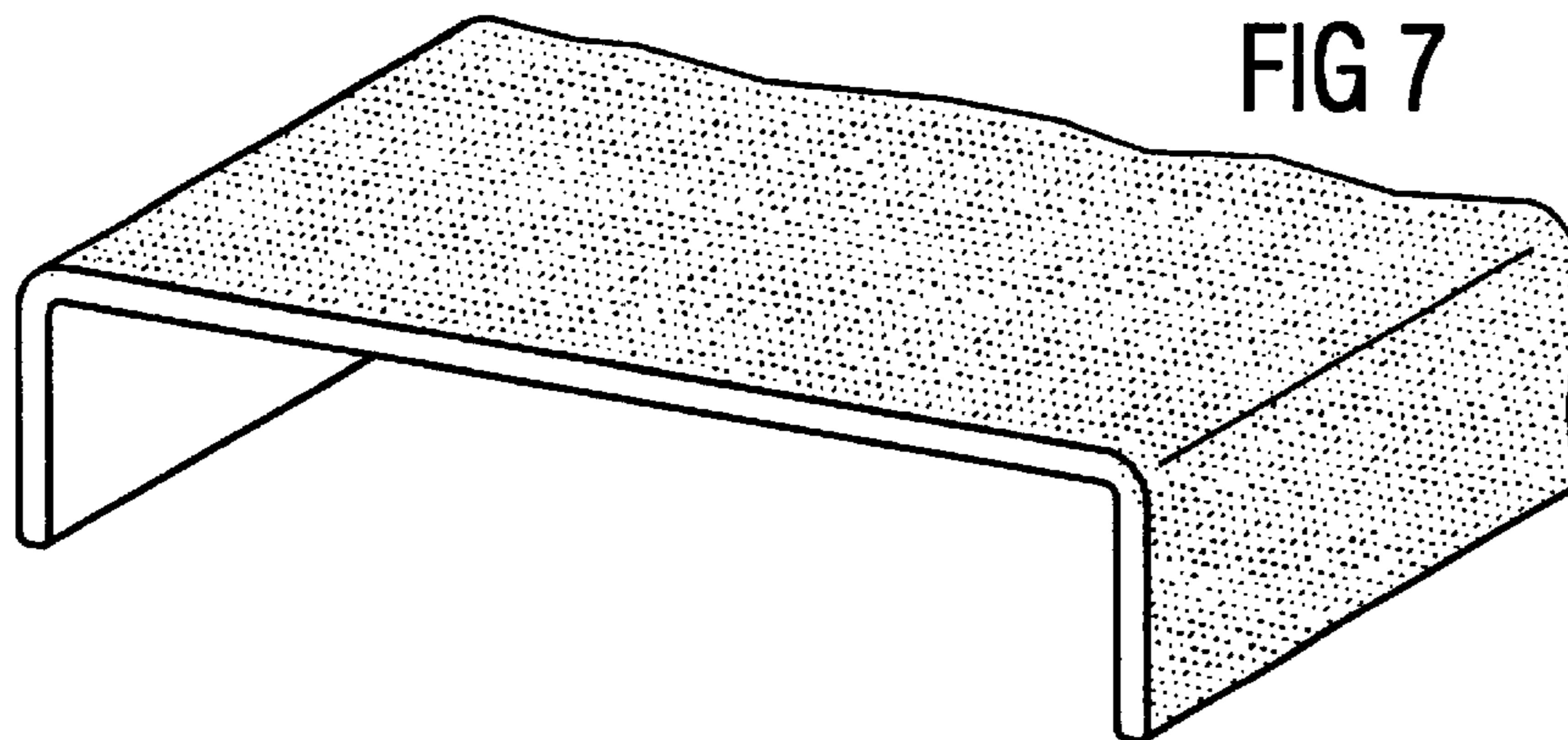


FIG 8

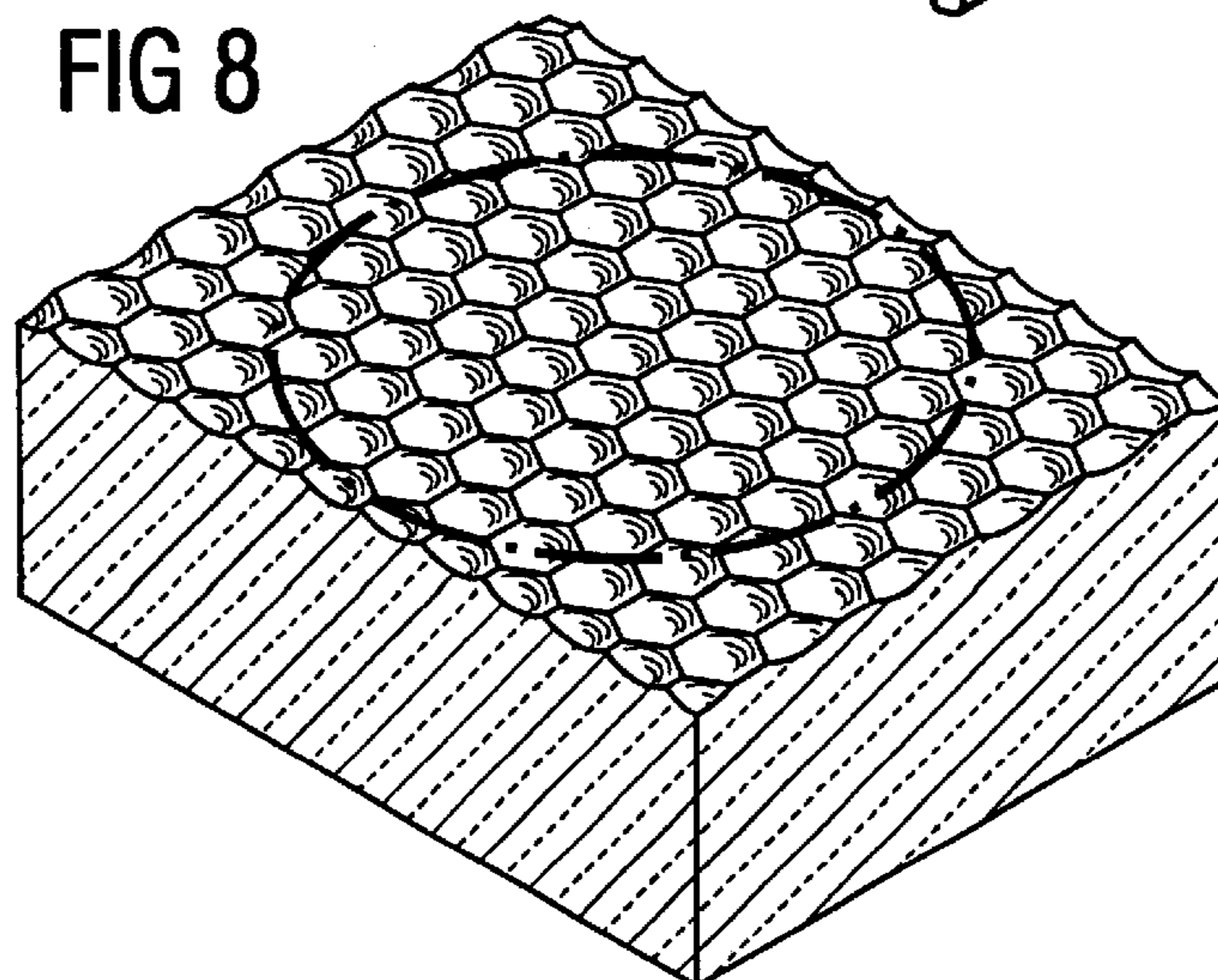




FIG 9

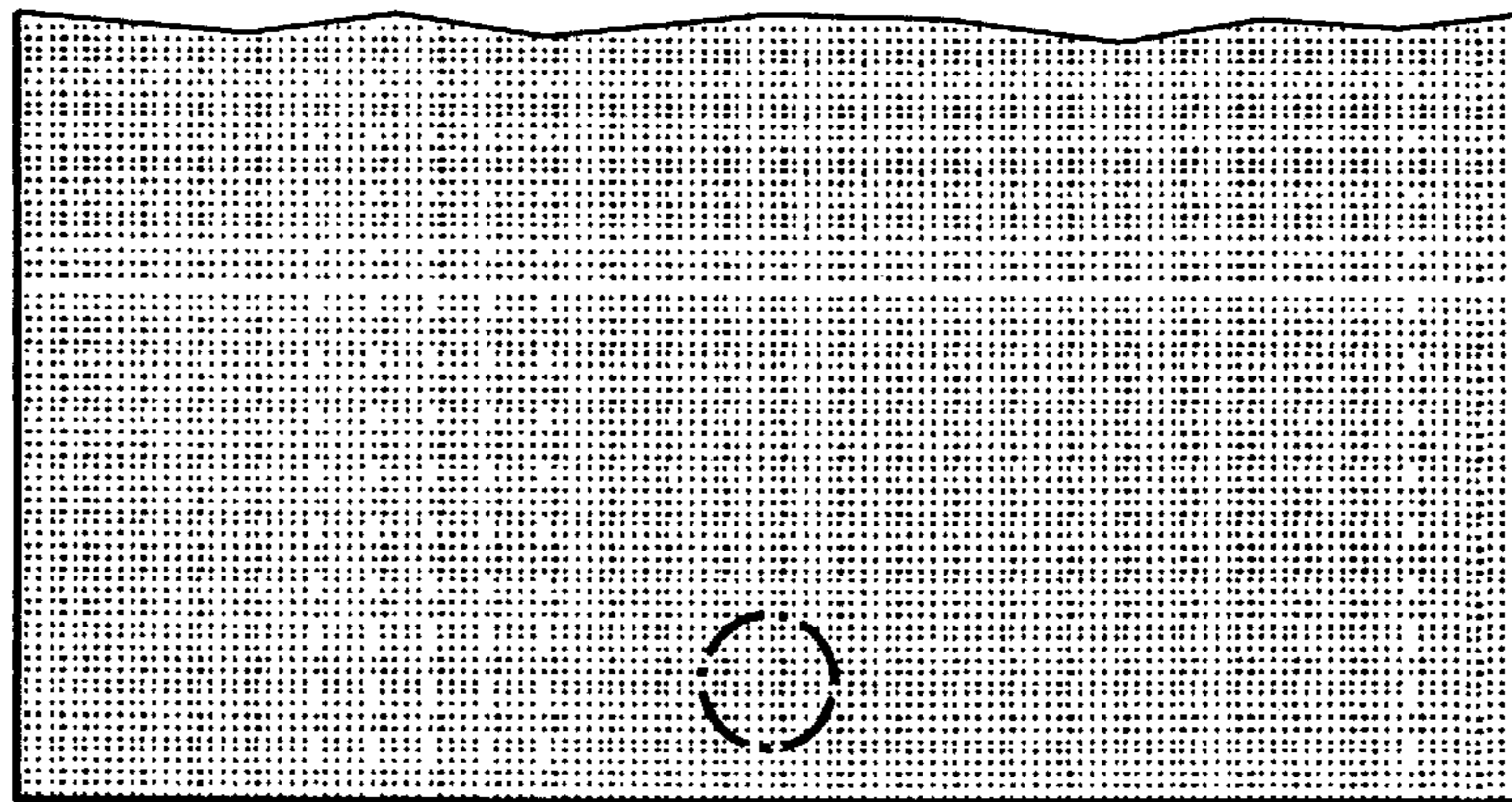


FIG 10

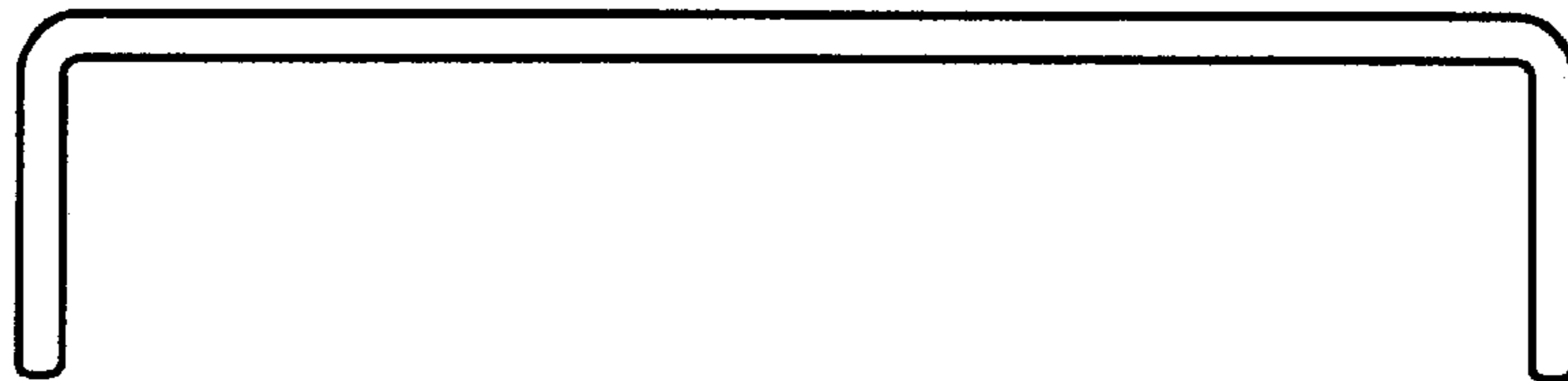


FIG 11

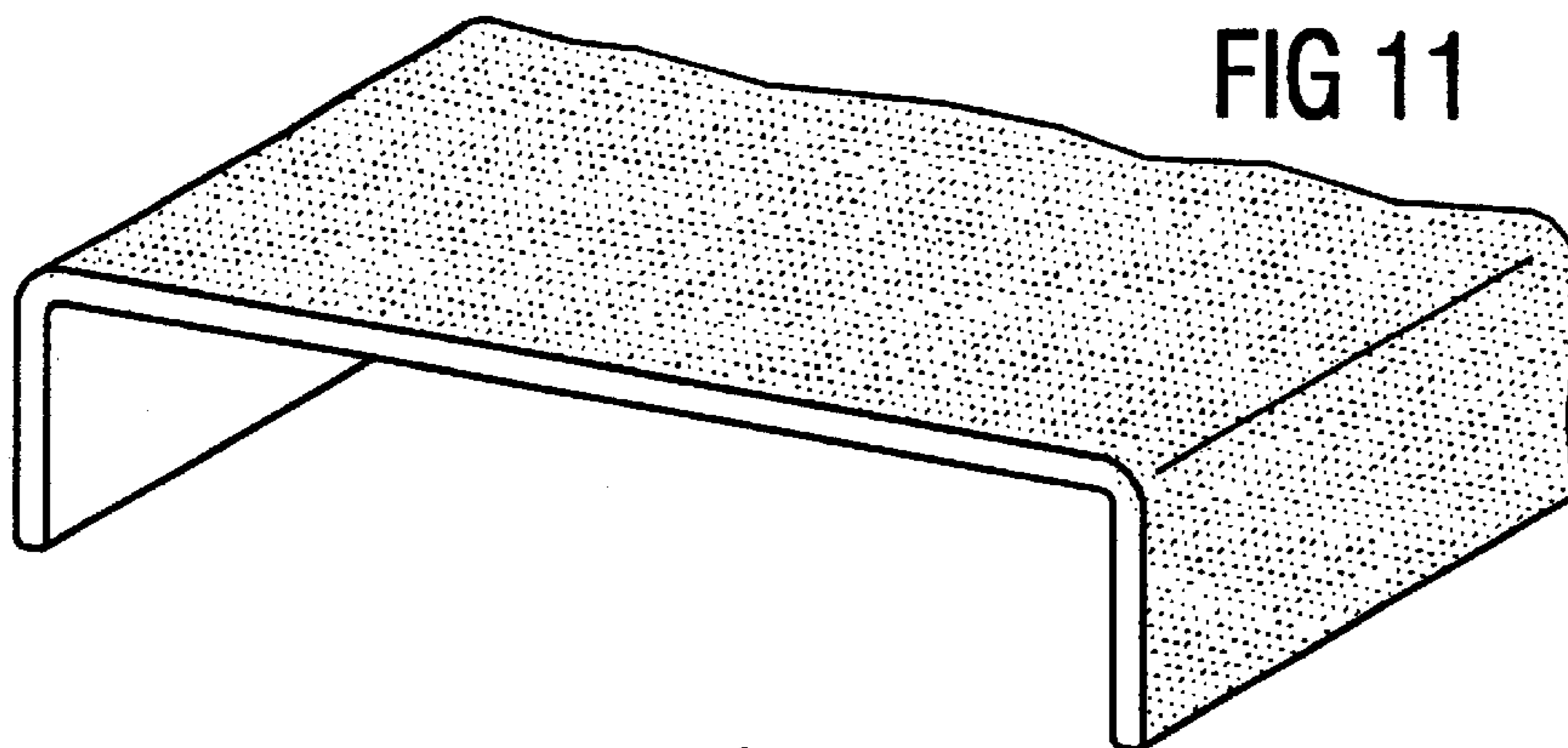


FIG 12

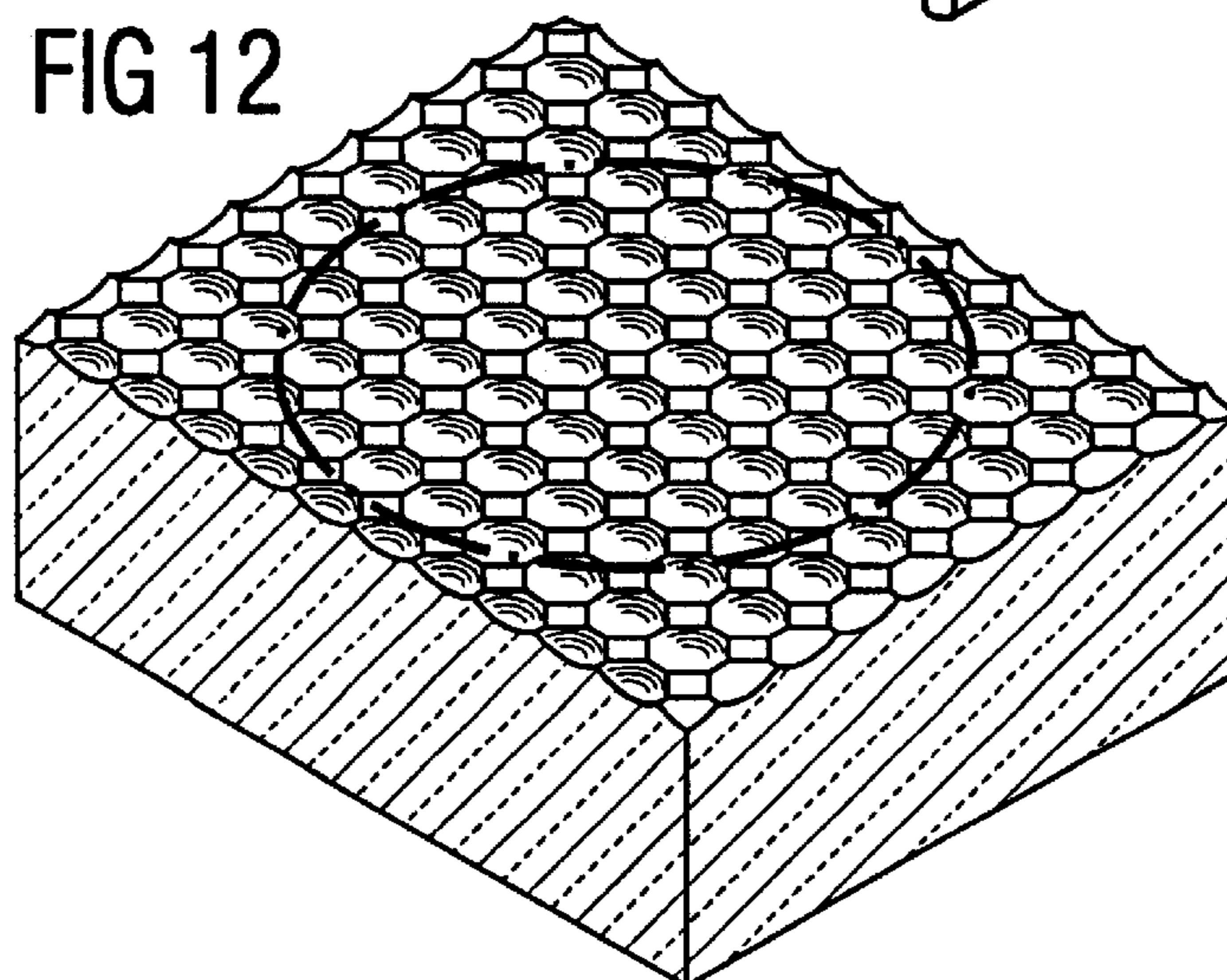


FIG 13

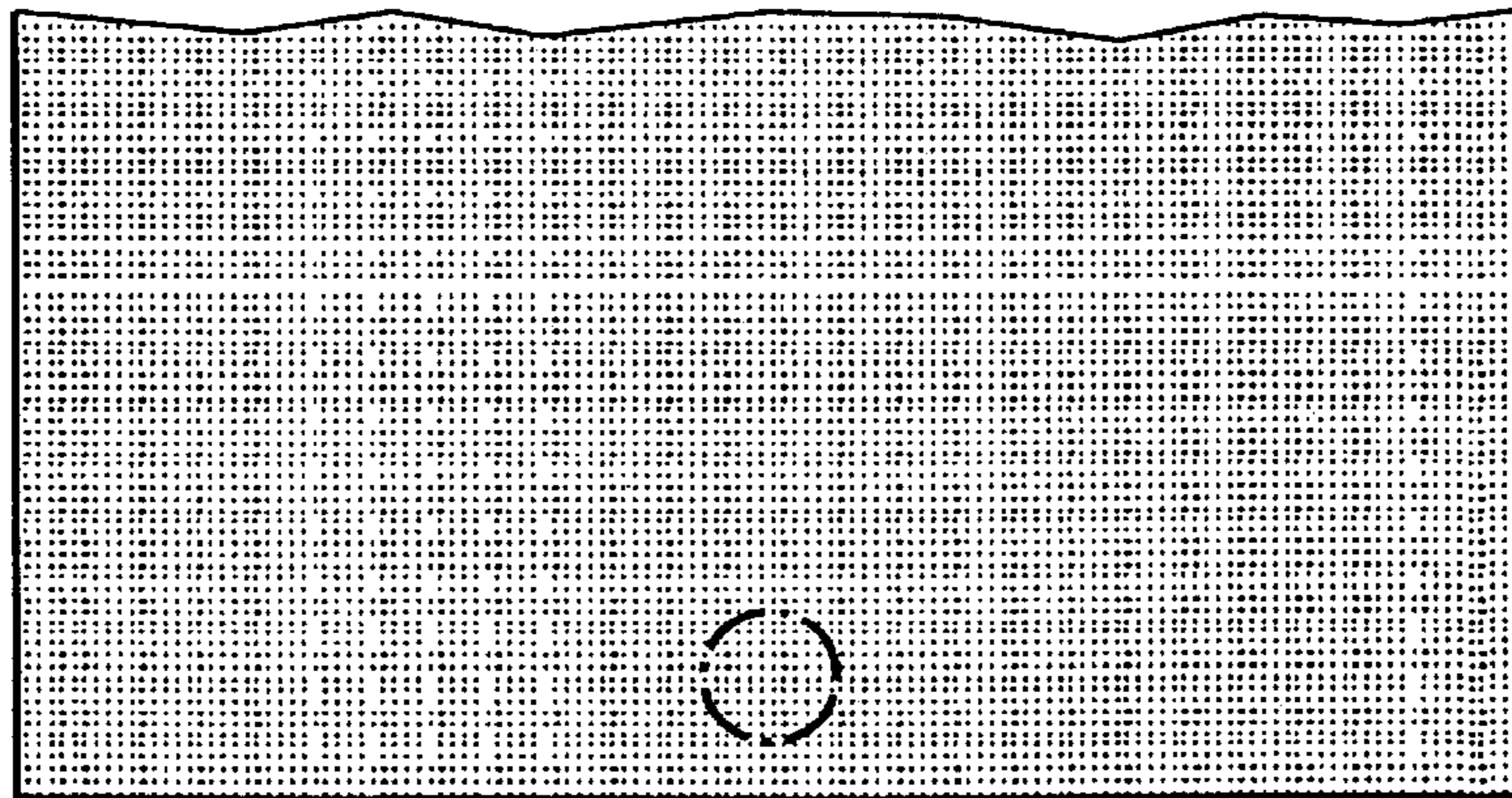


FIG 14

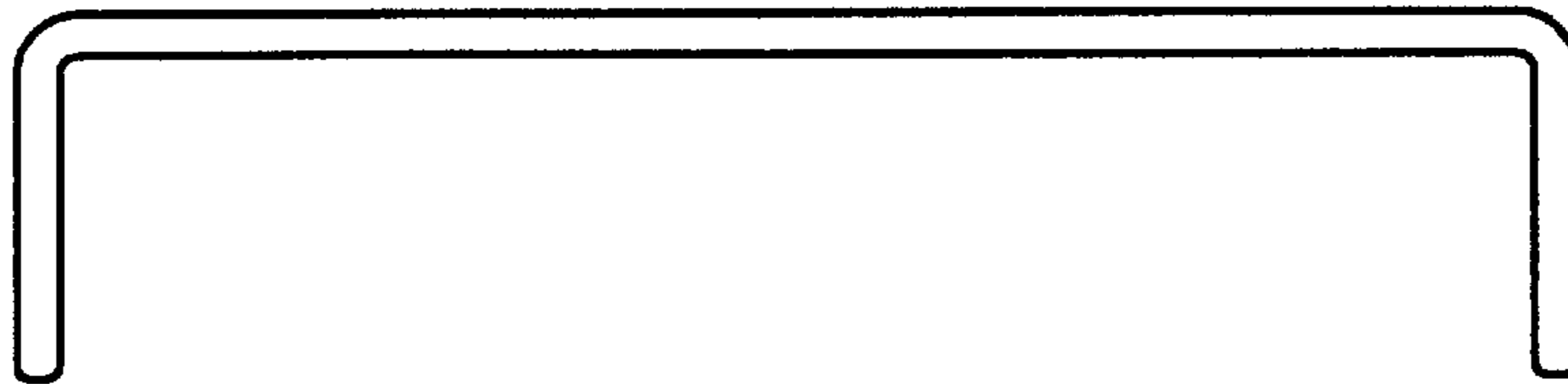


FIG 15

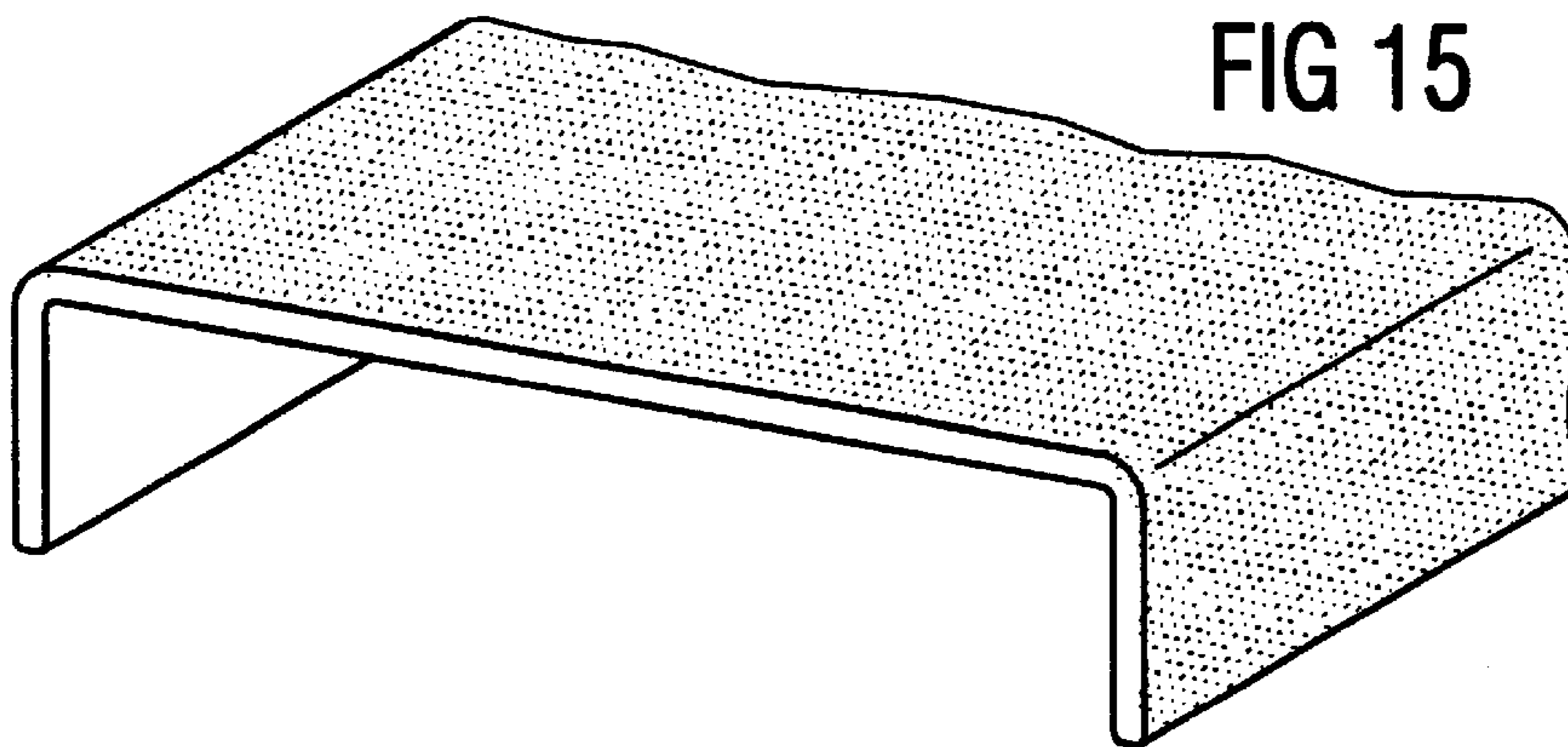


FIG 16

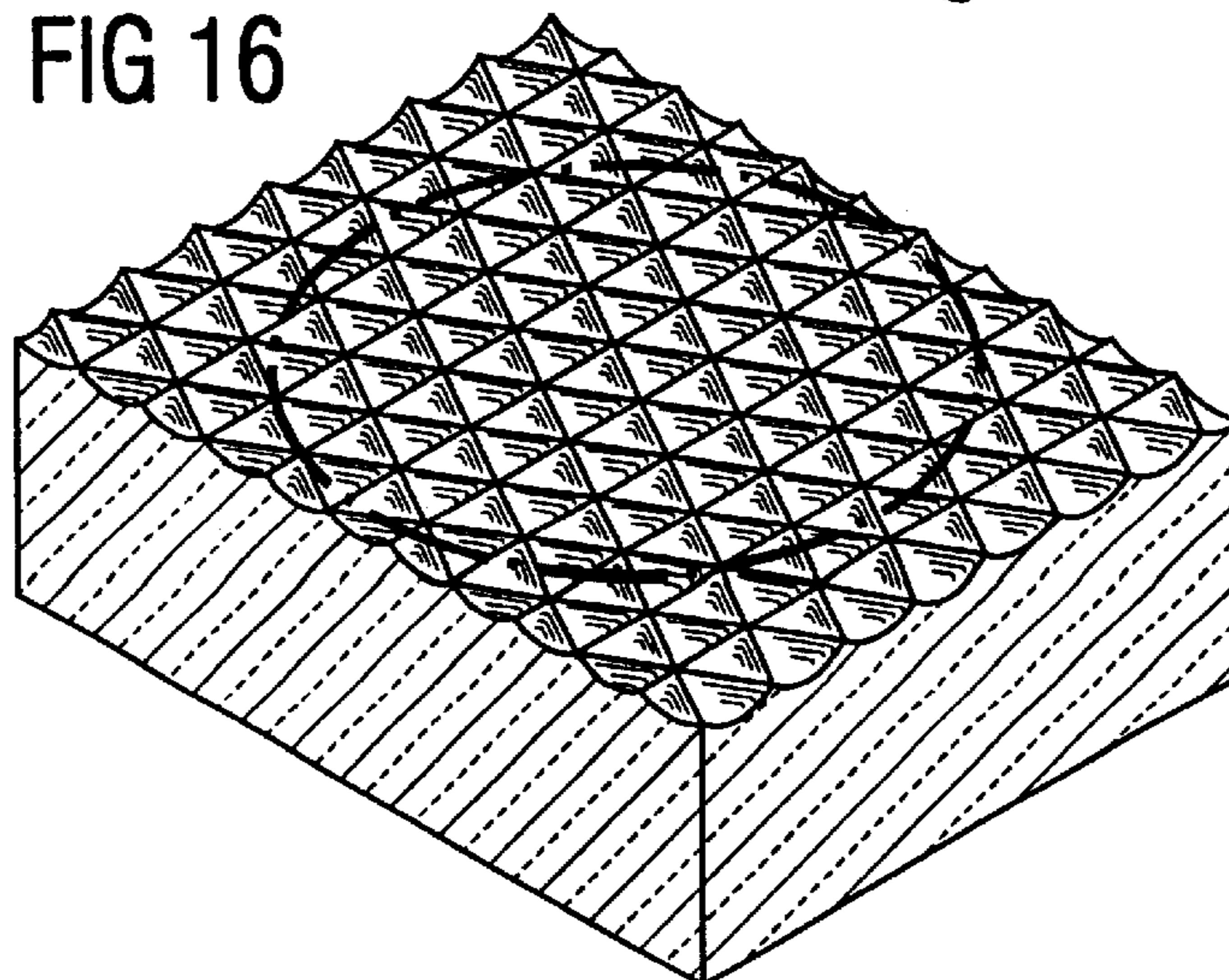




FIG 17

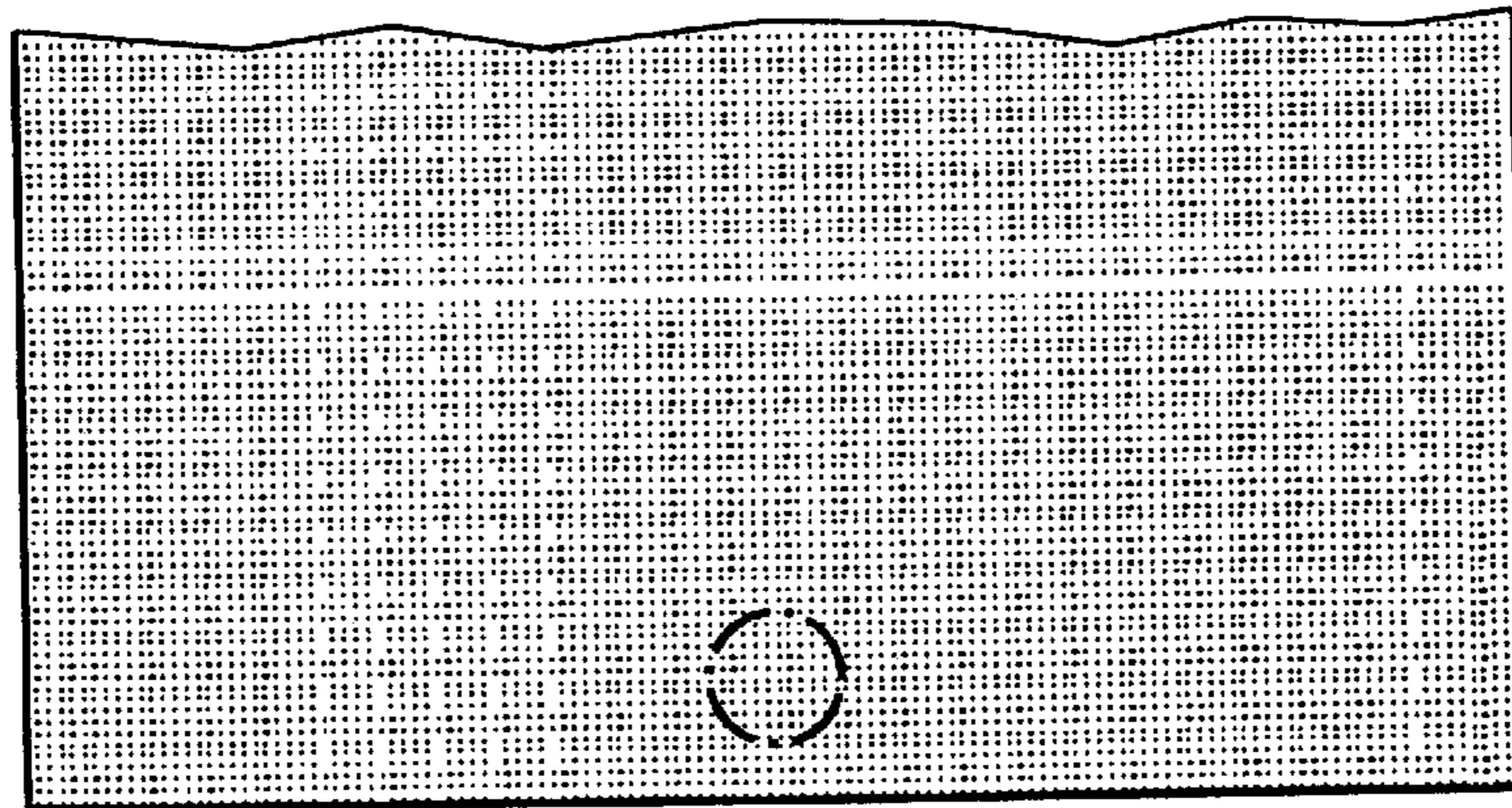


FIG 18

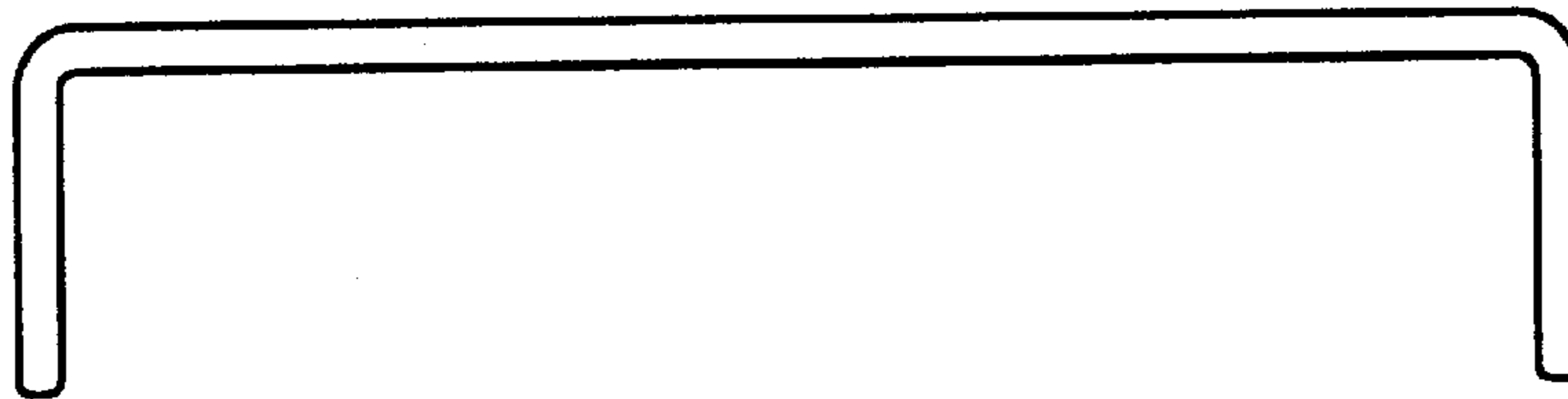


FIG 19

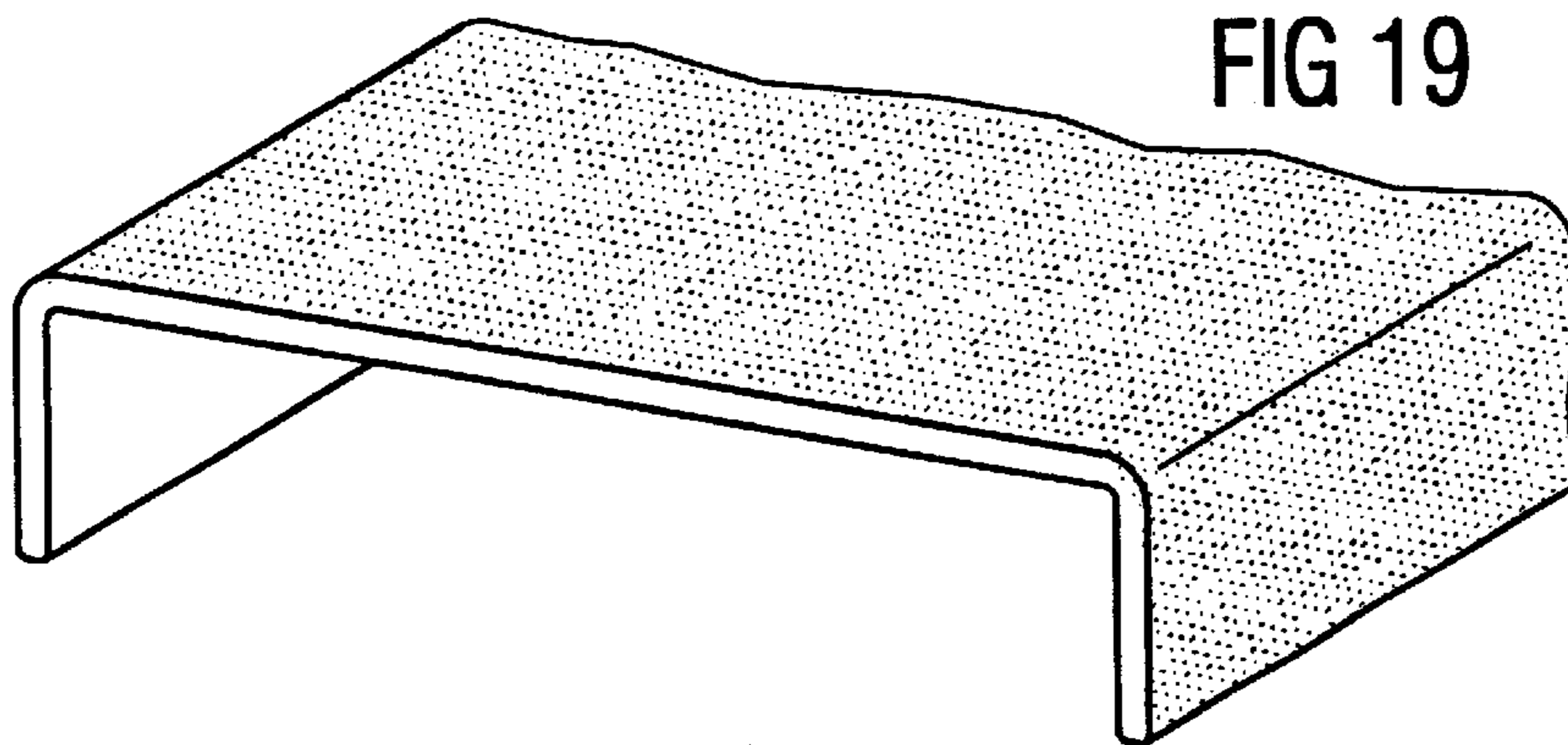


FIG 20

