



US00D448493B1

(12) **United States Design Patent**
Franson et al.

(10) **Patent No.:** **US D448,493 S**

(45) **Date of Patent:** **** Sep. 25, 2001**

(54) **WINDOW SLAT**

(75) Inventors: **Jeffrey R. Franson**, Maple Valley, WA (US); **Raymond W. Harris**, St. Augustine, FL (US)

(73) Assignee: **MikronWood, LLC**, Reno, NV (US)

(**) Term: **14 Years**

(21) Appl. No.: **29/131,536**

(22) Filed: **Oct. 23, 2000**

(51) **LOC (7) Cl.** **25-01**

(52) **U.S. Cl.** **D25/119; D25/49**

(58) **Field of Search** **D25/49, 119; 49/92.1, 49/74.1**

(56) **References Cited**

U.S. PATENT DOCUMENTS

D. 288,131 * 2/1987 Magro D25/119

D. 409,869 5/1999 Marusak .
5,941,021 * 8/1999 Valls, Jr. et al. 49/92.1
6,083,601 7/2000 Prince et al. .

* cited by examiner

Primary Examiner—Doris Clark

(74) *Attorney, Agent, or Firm*—Richardson & Folise

(57) **CLAIM**

The ornamental design for a window slat, as shown and described.

DESCRIPTION

FIG. 1 is a top left isometric perspective view of the window slat which is broken in the center indicating length; and, FIG. 2 is a bottom right isometric perspective view of the window slat shown in FIG. 1.

1 Claim, 1 Drawing Sheet

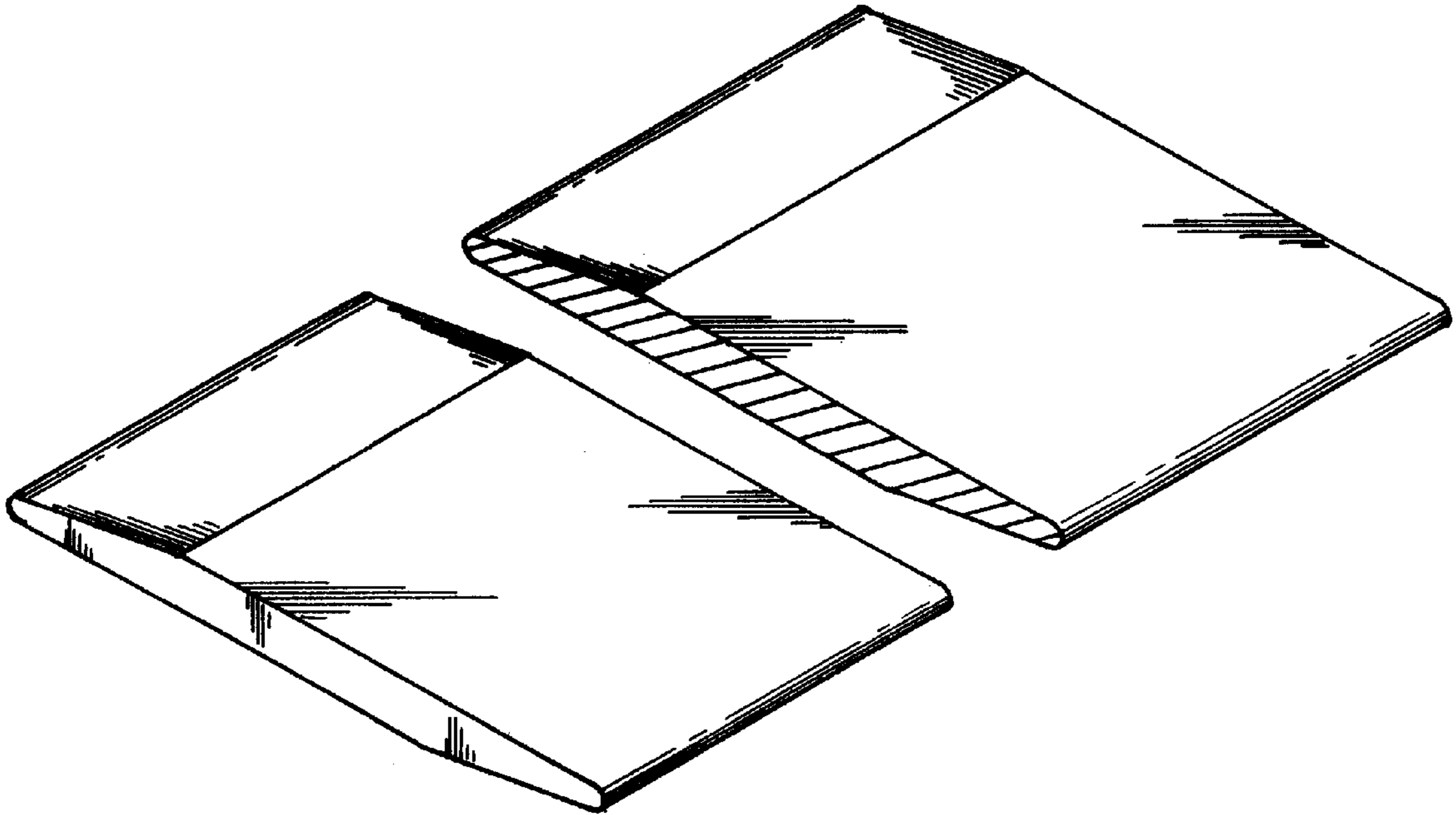


FIG. 1

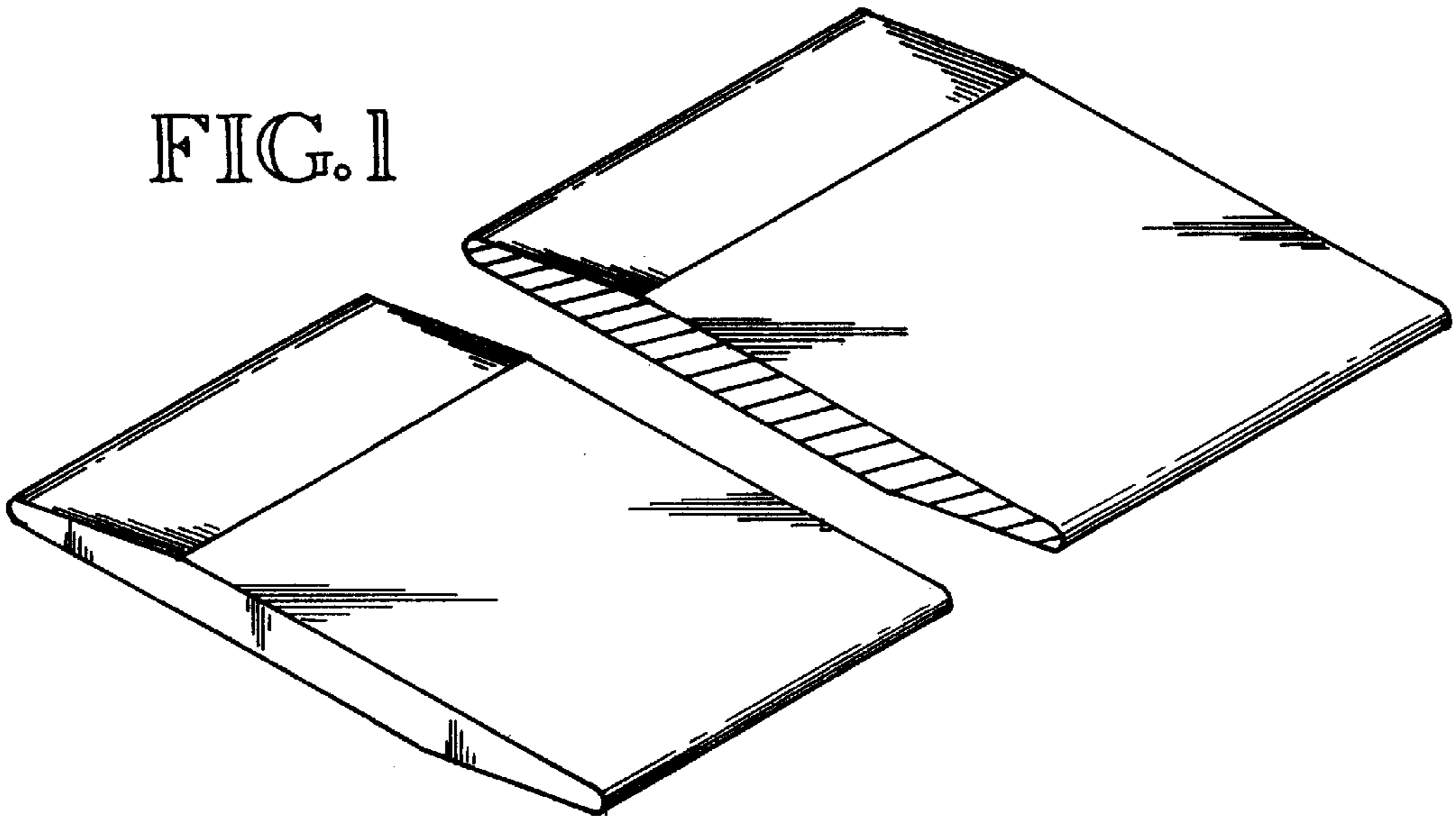


FIG. 2

