



US00D448492B1

(12) **United States Design Patent**
Bazzocchi

(10) **Patent No.:** **US D448,492 S**

(45) **Date of Patent:** **** Sep. 25, 2001**

(54) **RETAINING WALL BLOCK WITH SIDE OPENINGS**

(75) **Inventor:** **Augusto Bazzocchi**, Dunwoody, GA (US)

(73) **Assignee:** **Atlantech International, Inc.**, Atlanta, GA (US)

(**) **Term:** **14 Years**

(21) **Appl. No.:** **29/122,436**

(22) **Filed:** **Apr. 27, 2000**

Related U.S. Application Data

(62) Division of application No. 29/105,614, filed on May 27, 1999, now Pat. No. Des. 428,499.

(51) **LOC (7) Cl.** **25-01**

(52) **U.S. Cl.** **D25/113**

(58) **Field of Search** D25/102, 113-118; D21/484-486, 488-493, 499-505; 52/596, 604, 612; 404/33-42; 405/284-286

(56) **References Cited**

U.S. PATENT DOCUMENTS

14,052	1/1856	Conkling	52/608
D. 33,317	10/1900	Lafferty	D25/116
225,945	3/1880	Perchment	52/125.3
D. 317,209	5/1991	Forsberg	D25/114
D. 319,885	9/1991	Blomquist et al.	D25/118
D. 321,060	10/1991	Blomquist et al.	D25/118
D. 340,996	11/1993	Woolbright .	
D. 359,367	6/1995	Ciccarello et al. .	
D. 362,511	9/1995	Anderson et al. .	
D. 380,560	7/1997	Forsberg .	
D. 381,086	7/1997	Forsberg .	
722,712	3/1903	Jasper	52/722.1
741,040	10/1903	Jones	52/125.3
762,193	6/1904	Porten	52/125.3
762,251	6/1904	Porten	52/125.3
852,578	5/1907	Rounds .	

1,394,406	10/1921	Calvert	52/302.44
1,412,666	4/1922	Mixon	52/596
1,592,476	7/1926	Torrecelli	52/125.3
1,794,060	2/1931	Brozek	52/125.3
1,855,987	4/1932	Rammar	52/608
2,313,363	3/1943	Schmitt	405/286
4,340,360	7/1982	Hoedl et al.	52/605
5,062,610	11/1991	Woolford et al. .	
5,161,918	11/1992	Hodel .	
5,214,898	6/1993	Beretta .	
5,294,216	3/1994	Sievert .	
5,353,569	10/1994	Rodrique .	
5,361,557	11/1994	Snyder et al. .	
5,540,525	7/1996	Miller et al.	405/284
5,589,124	12/1996	Woolford et al. .	
5,595,460	1/1997	Miller et al. .	
5,598,679	2/1997	Orton et al. .	
5,619,835	4/1997	Bailey, II et al.	52/606
5,673,530	10/1997	Bailey, II .	
5,827,015	10/1998	Woolford et al. .	

OTHER PUBLICATIONS

Gordon Schmidt, "The Story . . .", concrete block illustrated, Concrete, Dec. 1958, p. 26.

Primary Examiner—Louis S. Zarfaz

Assistant Examiner—Robert A. Delehanty

(74) *Attorney, Agent, or Firm*—Jacobson Holman, PLLC

(57) **CLAIM**

The ornamental design of a retaining wall block with side openings, as shown and described.

DESCRIPTION

FIG. 1 is a bottom perspective view of a retaining wall block with side openings showing one embodiment of my new design;

FIG. 2 is a bottom plan view thereof; and,

FIG. 3 is a side elevational view thereof, the opposite side being a mirror image of FIG. 3.

The broken lines in the drawings are for illustrative purposes only and form no part of the claimed design.

1 Claim, 1 Drawing Sheet

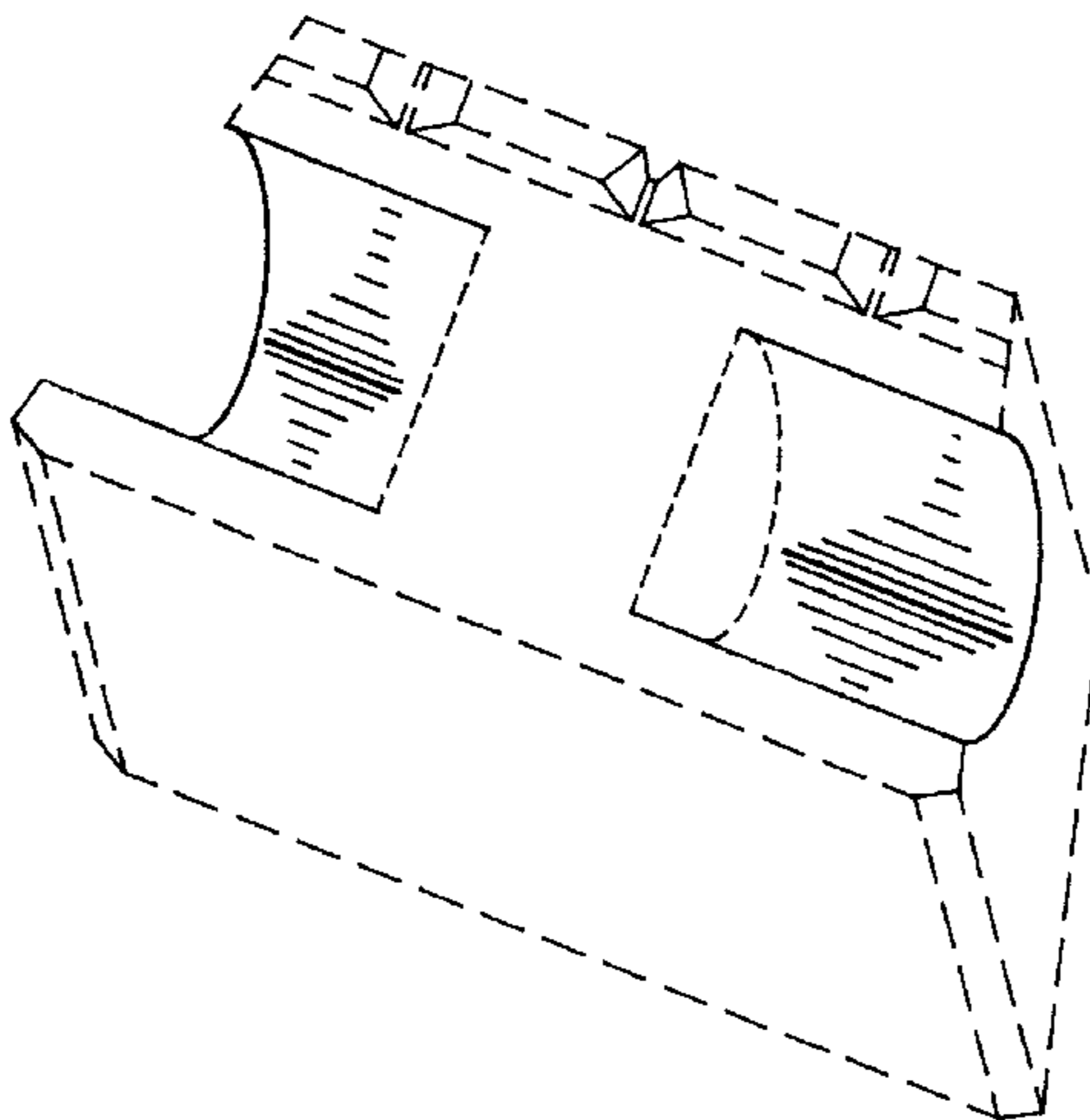


FIG. 1

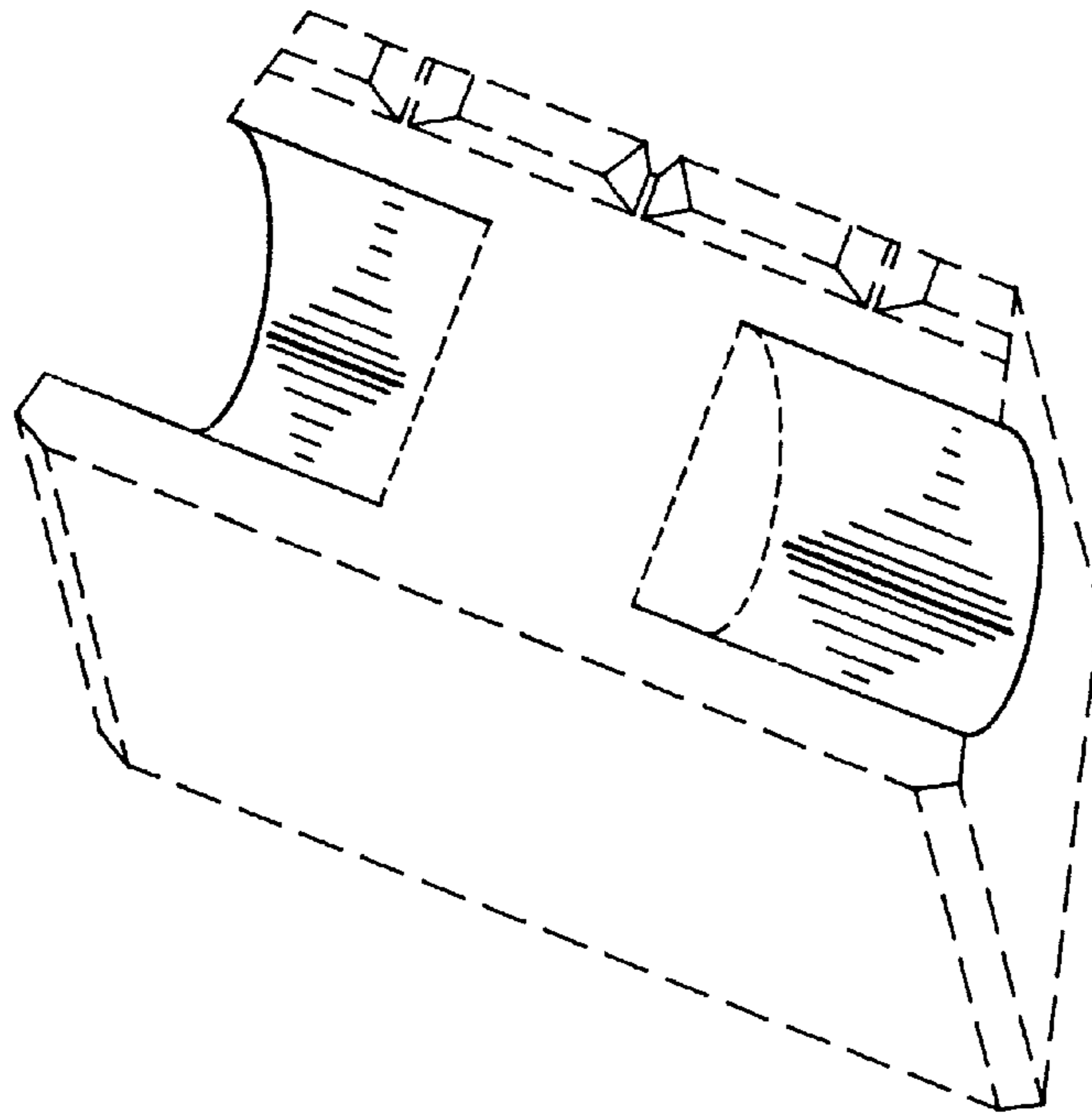


FIG. 2

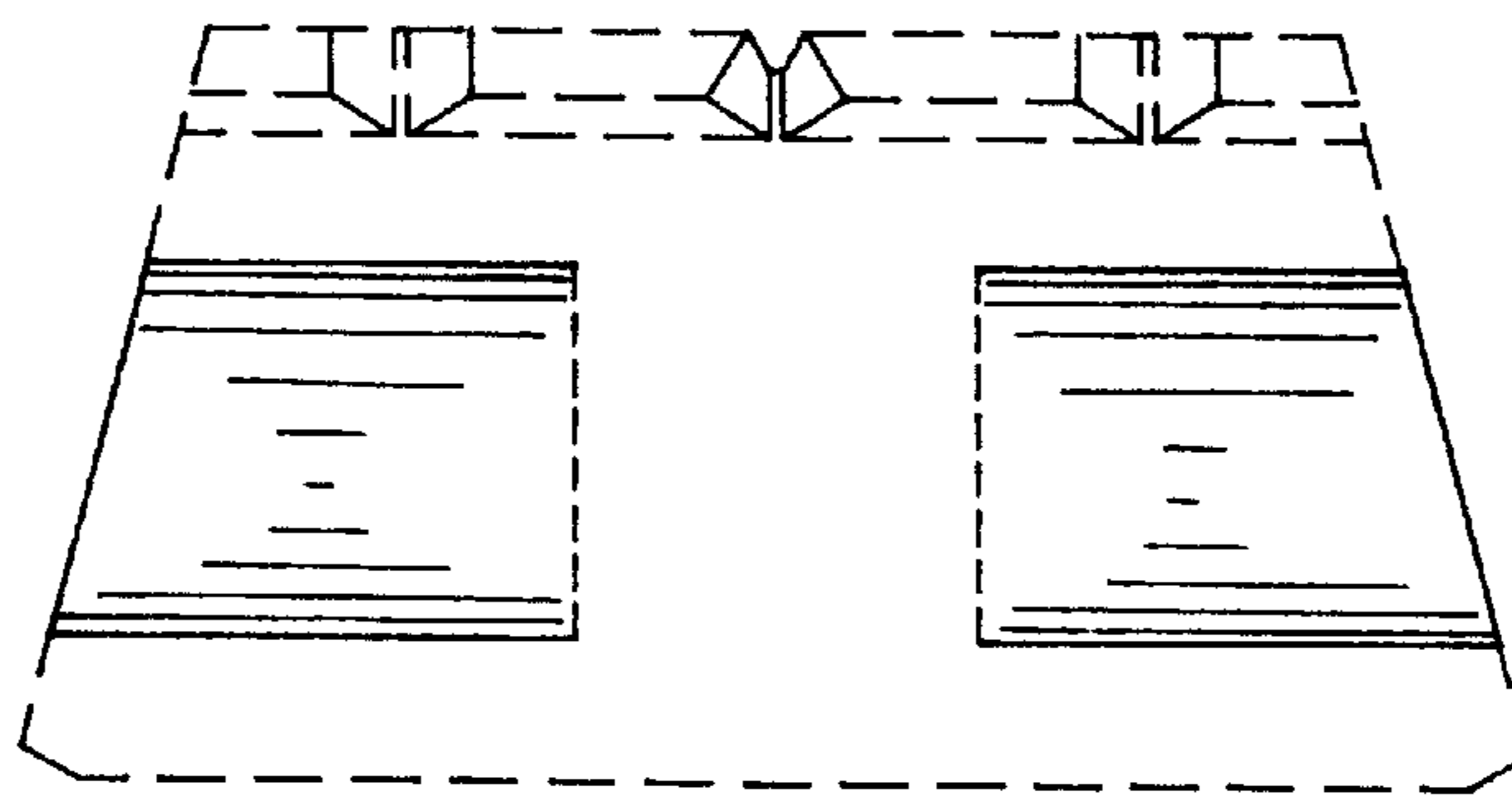


FIG. 3

