



US00D448482B1

(12) **United States Design Patent**
Bellofatto et al.

(10) **Patent No.:** **US D448,482 S**
(45) **Date of Patent:** **** Sep. 25, 2001**

(54) **MEDICAL IMPLANTATION INSTRUMENT**

(75) Inventors: **Steven Bellofatto**, Closter, NJ (US);
Michael J. Poindexter, New York, NY (US);
Christopher J. Claypool, Hoboken, NJ (US);
Diego Y. Fontayne, Montebello, NY (US);
Edward Kaplan, Boca Raton, FL (US)

(73) Assignee: **Integrated Implant Systems, L.L.C.**,
Arlington, VA (US)

(**) Term: **14 Years**

(21) Appl. No.: **29/123,399**

(22) Filed: **May 18, 2000**

(51) **LOC (7) Cl.** **24-02**

(52) **U.S. Cl.** **D24/133**

(58) **Field of Search** D24/112, 133,
D24/114, 130, 146, 147; 604/57, 59, 54,
64, 62, 117, 135, 61; 600/8, 7, 436

(56) **References Cited**

U.S. PATENT DOCUMENTS

D. 402,757	*	12/1998	Davis et al.	D24/133
5,147,295	*	9/1992	Stewart	604/61
6,007,474	*	12/1999	Rydell	600/7
6,102,844	*	8/2000	Ravins et al.	600/8

* cited by examiner

Primary Examiner—Ian Simmons

(74) *Attorney, Agent, or Firm*—Foley & Lardner

(57) **CLAIM**

The ornamental design for a medical implantation instrument, as shown and described.

DESCRIPTION

FIG. 1 shows a top perspective view of the medical implan-

tation instrument, which has housed within it a seed cartridge at a front portion of the medical implantation instrument, according to the invention;

FIG. 2 shows a different top perspective view of the medical implantation instrument, which has housed within it a seed cartridge at a front portion of the medical implantation instrument, according to the invention;

FIG. 3 shows a side view of the medical implantation instrument, which has housed within it a seed cartridge at a front portion of the medical implantation instrument, according to the invention;

FIG. 4 shows a bottom view of the medical implantation instrument, according to the invention;

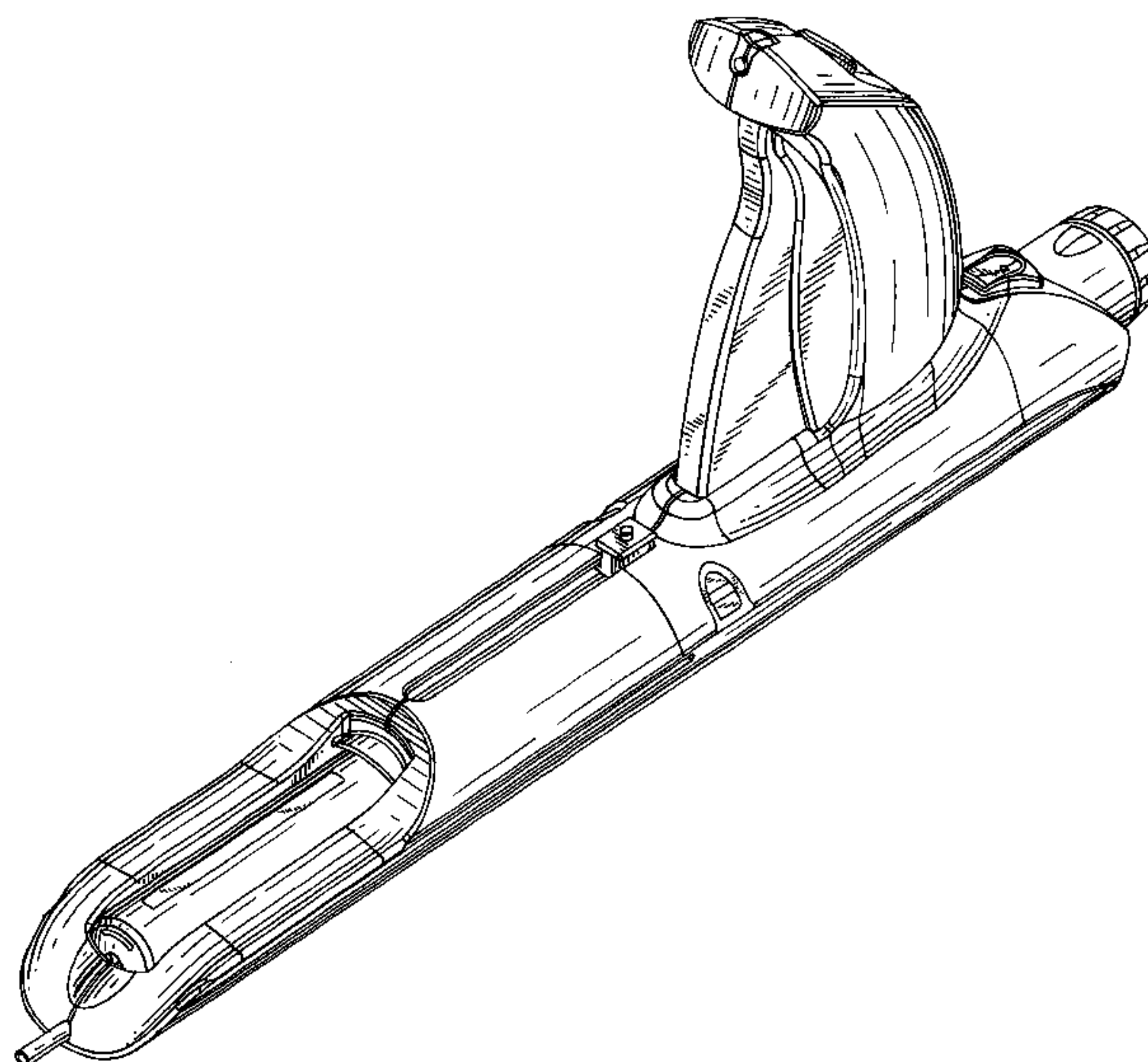
FIG. 5 shows the opposite side view, with respect to the view of FIG. 3, of the medical implantation instrument, which has housed within it a seed cartridge at a front portion of the medical implantation instrument, according to the invention;

FIG. 6 shows a top view of the medical implantation instrument, which has housed within it a seed cartridge at a front portion of the medical implantation instrument, according to the invention;

FIG. 7 shows a front view of the medical implantation instrument, which has housed within it a seed cartridge at a front portion of the medical implantation instrument, according to the invention; and,

FIG. 8 shows a back view of the medical implantation instrument, according to the invention.

1 Claim, 8 Drawing Sheets



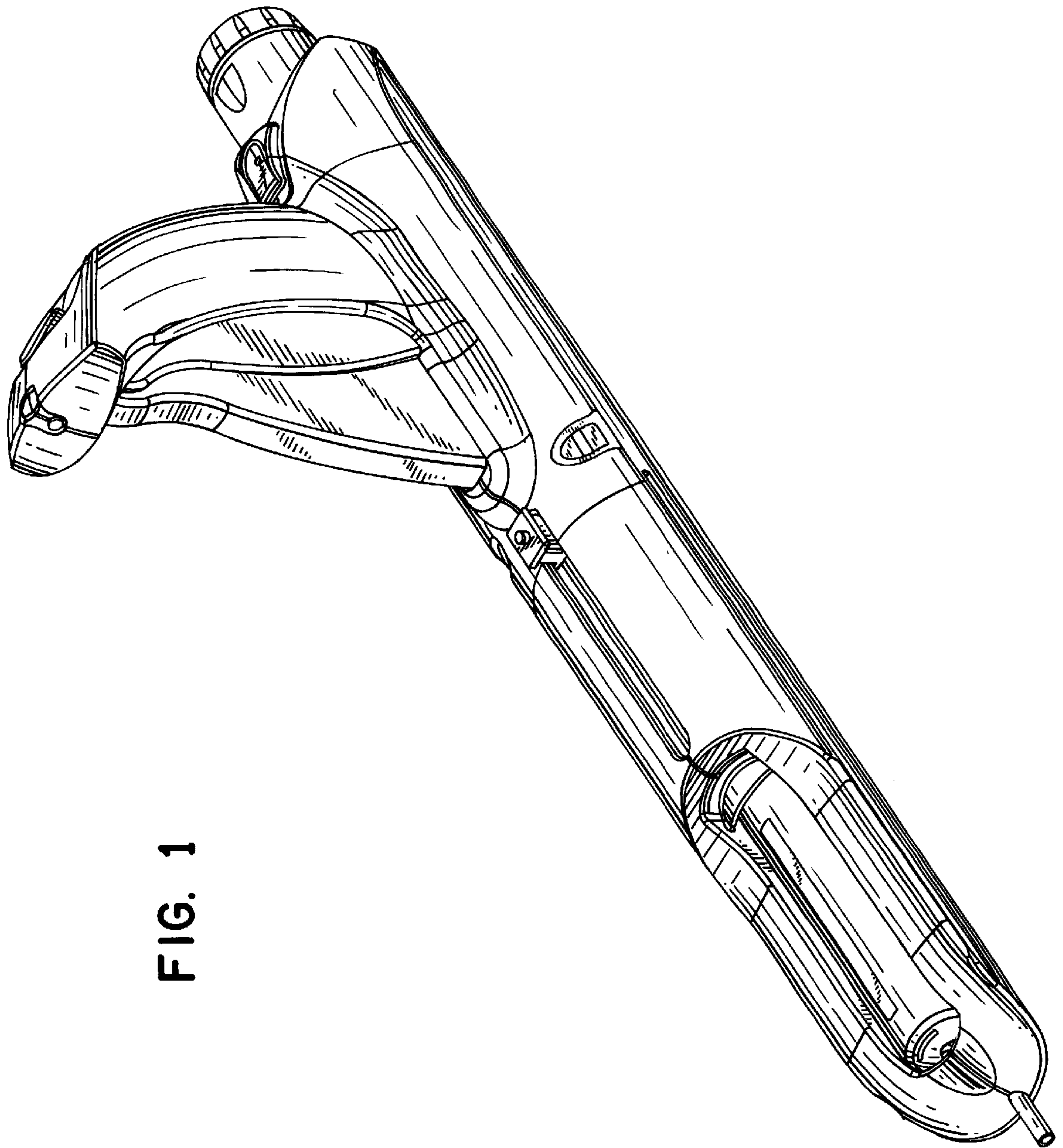


FIG. 1

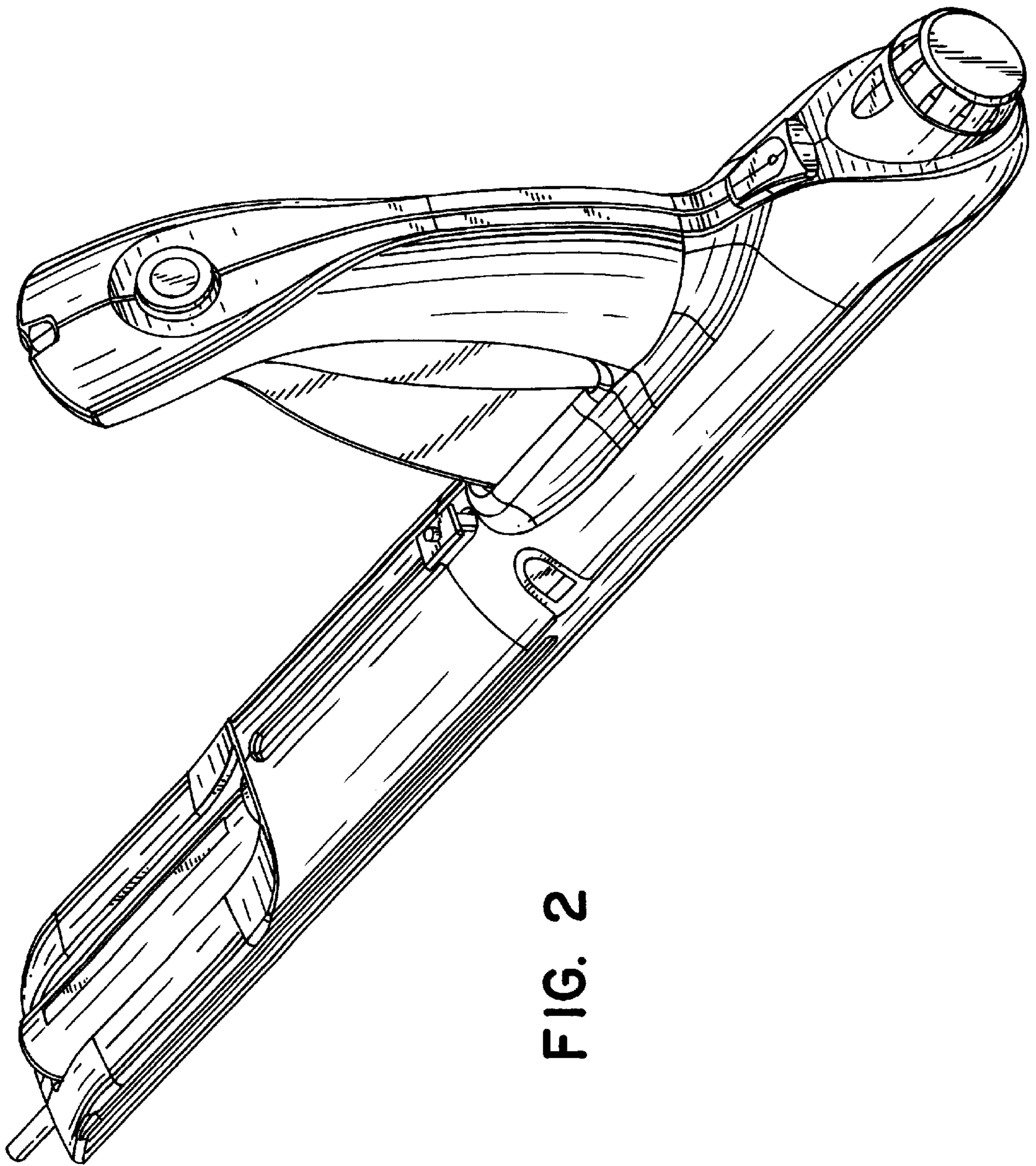


FIG. 2

FIG. 3

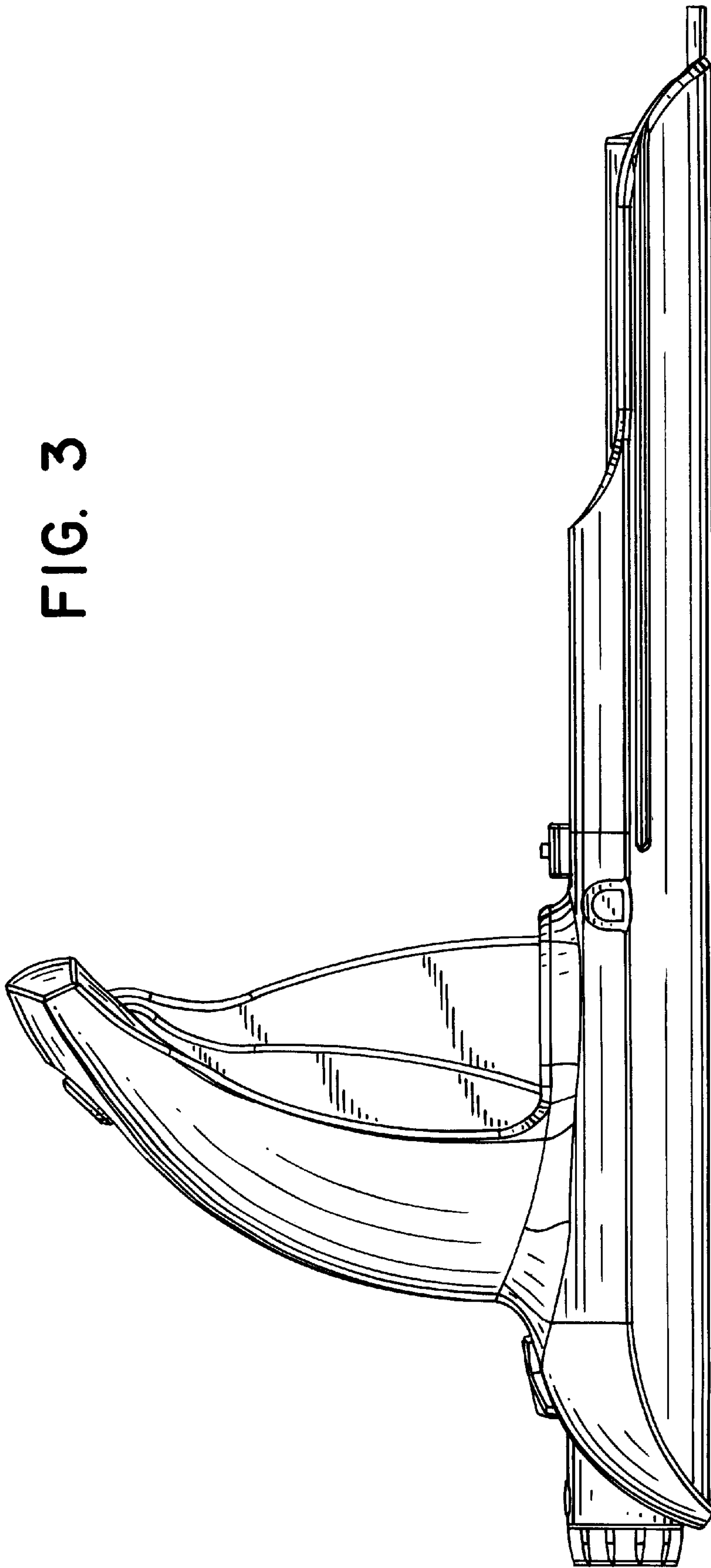
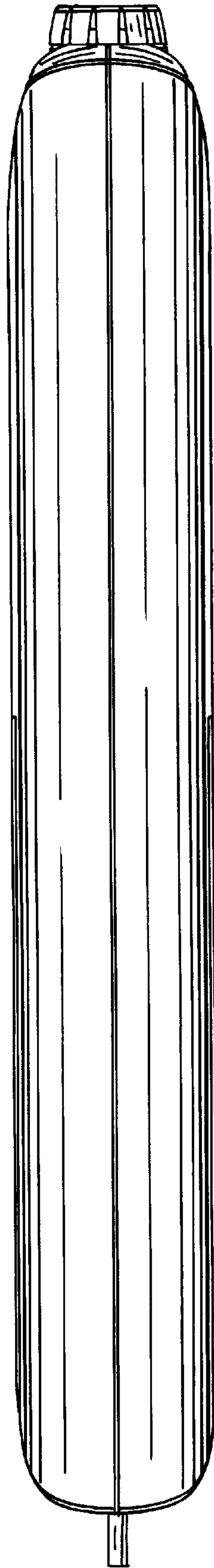


FIG. 4



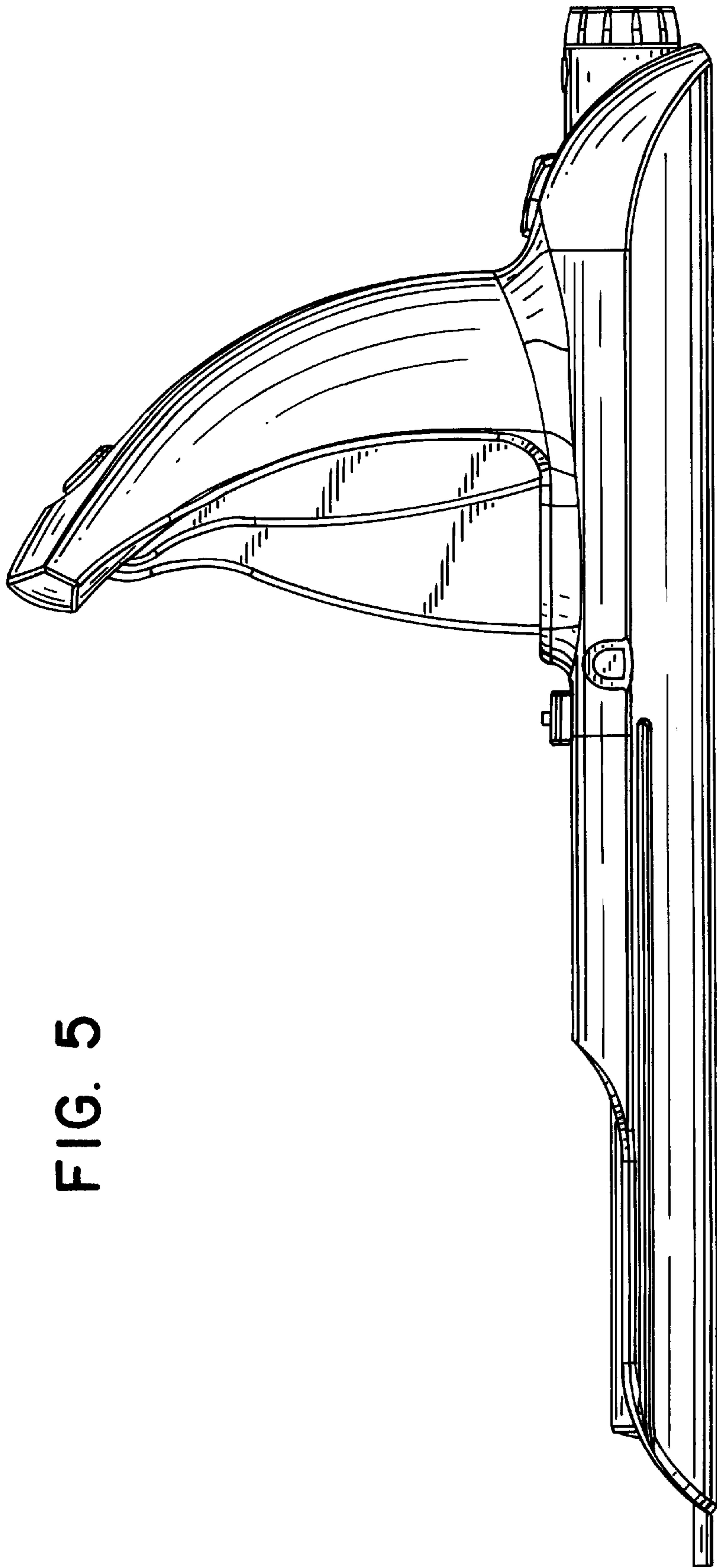


FIG. 5

FIG. 6

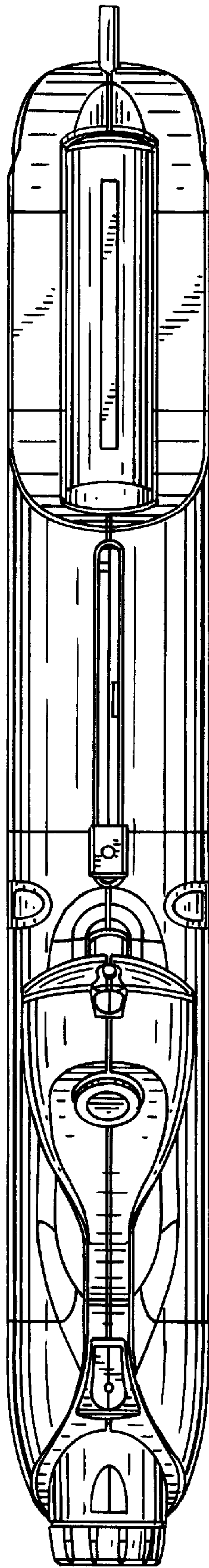


FIG. 7

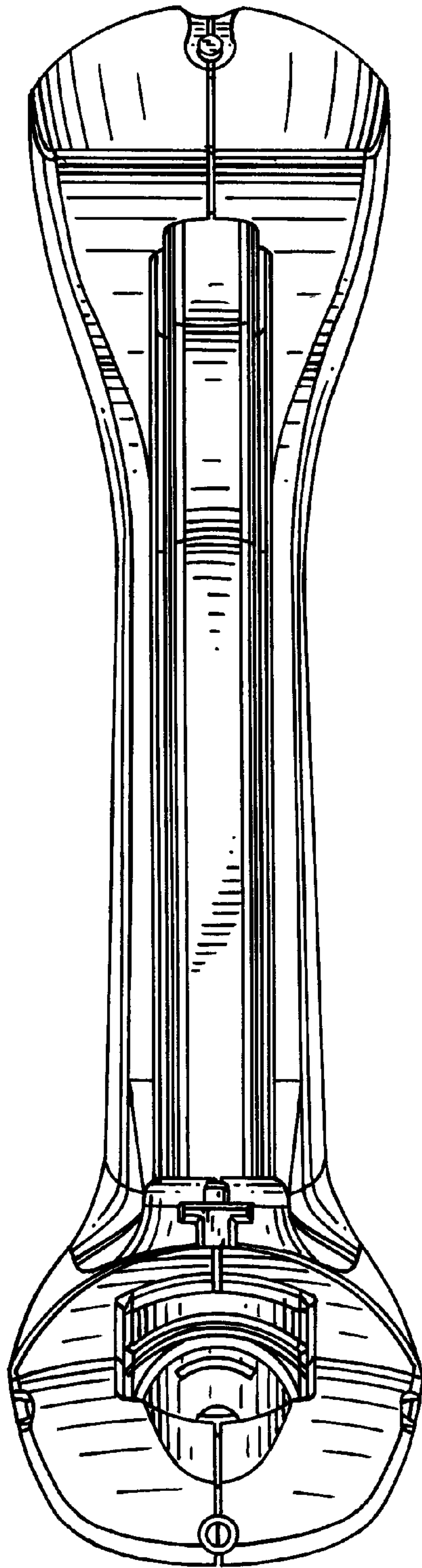


FIG. 8

